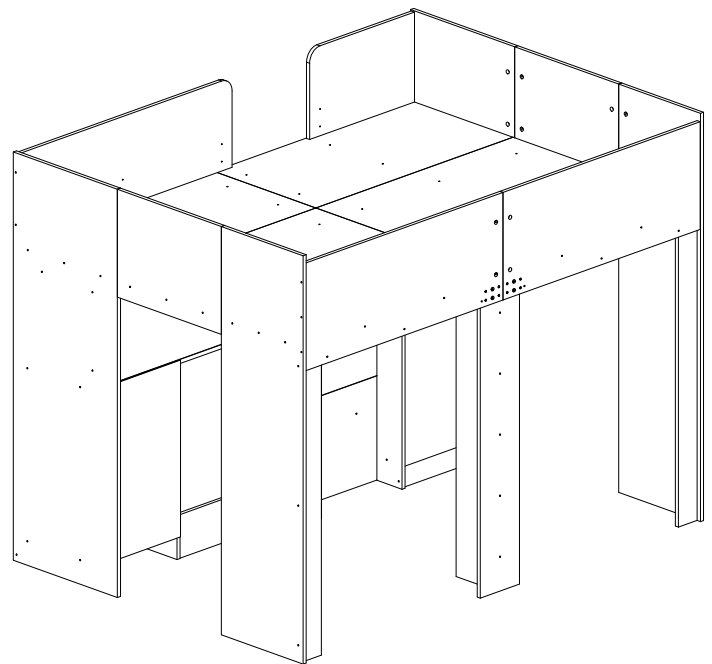
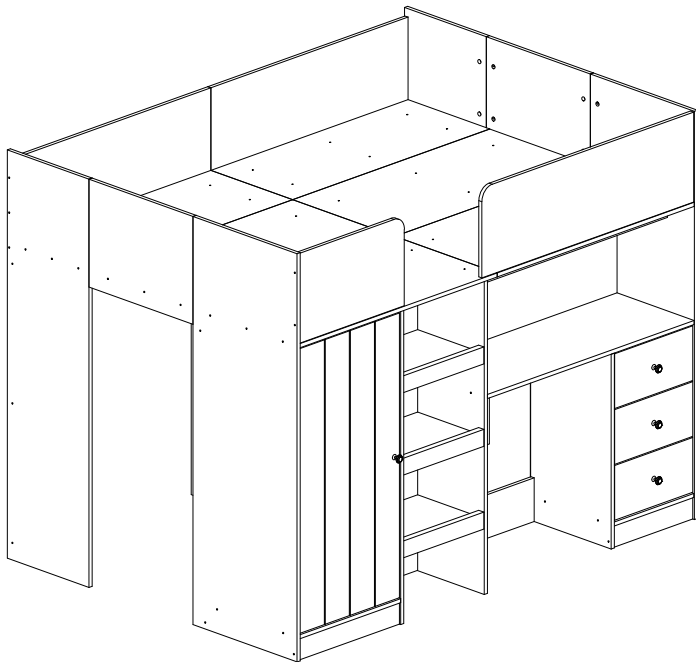
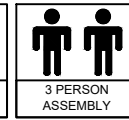
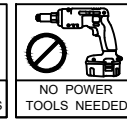
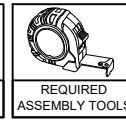
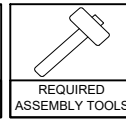
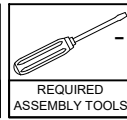
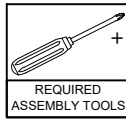


Assembly Instruction

Full Size Loft Bed with Study Desk and wardrobe

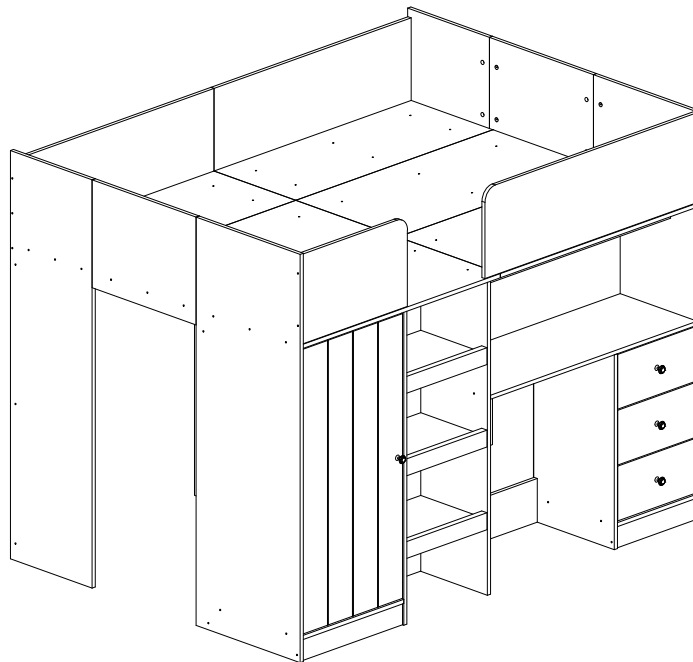


If you have any questions, please feel free to contact us.
Email: lowes.team@qualfurn.net

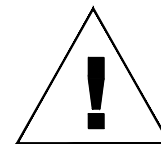
Product Dimensions: Height 58.98" x Width 76.38" x Depth 55.28"

WF321598 / WF321599 / WF321600

Assembly Instruction



SAFETY WARNINGS

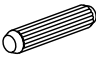




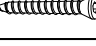




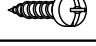


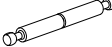




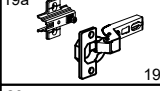


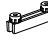
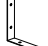







1. This bed is designed only for use only mattress(es) meeting the following specifications on the upper bunk:
2.

Bed Type	Length	Width	Thickness
Full	75"	54"	6-8" max
3. Replacement parts, including additional guardrails, may be obtained from any of our (GIGACLOUD TECHNOLOGY (USA) INC. 18961 ARENTH AVENUE CITY OF INDUSTRY, CA, 91748) dealers.
4. Follow the information on the warnings appearing on the upper bunk bed end structure and on the carton. Do not remove warning label from bed.
5. Always use the recommended size mattresses or mattress supports, or both, to help prevent the likelihood of entrapment or falls.
6. Surface of the mattress must be at least 5" (127mm) below the upper edge of the guardrails.
7. Do not allow children under 6 years of age to use the upper bunk.
8. Periodically check and ensure that the guardrail, ladder and other components are in their proper position, free from damage, and that all connectors are tight.
9. Do not allow horseplay on or under the bed and prohibit jumping on the bed.
10. Always use the ladder for entering and leaving the upper bunk.
11. Do not use substitute parts. Contact the manufacturer or dealer for replacement parts.
12. Use of a night light may provide added safety precaution for a child using the upper bunk.
13. Always use guardrails on both the long sides of the upper bunk. If the bunk bed will be placed next to the wall, the guardrail that runs the full length of the bed should be placed against the wall to prevent entrapment between the bed and wall.
14. The use of water or sleep flotation mattresses is prohibited.
15. **STRANGULATION HAZARD** - Never attach or hang items to any part of the bunk bed that are not designed for use with the bed; for example, but not limited to, hook, belts and jump ropes.
16. Keep these instructions for future reference.

Assembly Instruction

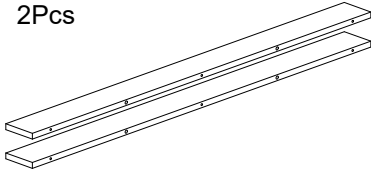
Hardware List - WF321598

<i>Hardware List</i>			
<i>No.</i>	<i>SHAPE</i>	<i>DESCRIPTION</i>	<i>Qty.</i>
1		8x30mm Wood Dowel	126Pcs
2		M3.1x16mm Screw (Chrome)	3Pcs
3		M3.5x14mm Screw	43Pcs
4		M4x28mm Screw	8Pcs
5		M4x32mm Screw	12Pcs
6		M6x40mm Screw	163Pcs
7		15MM Screw Cap	163Pcs
8		M6 Nut	4Pcs
9		JCBC M6x50mm Bolt	4Pcs
10		M6.2x8MM EURO Screw	12Pcs
11		TP 10#x1/2" Screw	18Pcs
12		15MM Minifix Cam	46Pcs
13		Minifix Bolt	14Pcs
14		MiniFix Stick	16Sets
15		17 MM MiniFix Cap	46Pcs
16		Cylinder Pipe - 483mm	1Pc
17		V-Bracket	2Pcs
18		2 Pin Stopper	2Pcs
19		Hinges 7/8" (In)	3Sets
20		Drawer Slide = 300mm	3Sets
21		Backply Stopper	3Pcs
22		MDF Support	5Pcs
23		L- Bracket 1.6 x 26 x 120 x 120 mm	3Pcs
24		Nail	54Pcs
25		M4 Allen Key	1Pc
26		Handle Screw M4x18mm	4Pcs
27		Diamond Handle	4Pcs
28		Metal Support	2Pcs

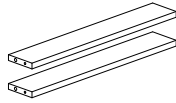
Assembly Instruction

Parts List - WF321598

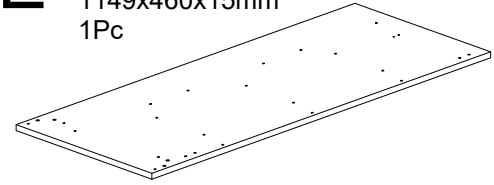
A3 Side Panel Support
1148x90x15mm
2Pcs



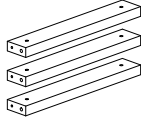
B Leg L
489x80x15mm
2Pcs



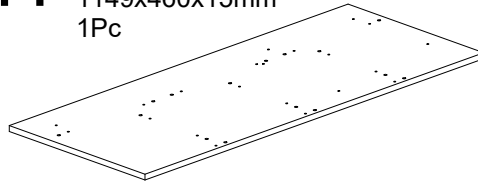
E Stand Panel L
1149x460x15mm
1Pc



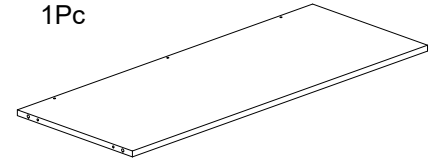
G1 Ladder Panel
390x62x25mm
3Pcs



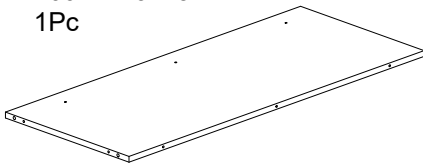
H Stand Panel M
1149x460x15mm
1Pc



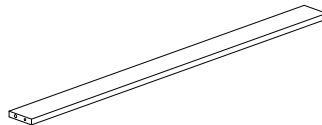
K Table Panel
1001x390x15mm
1Pc



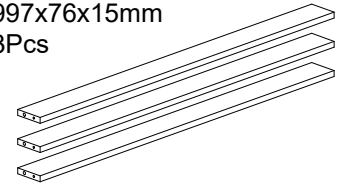
N Table Back Panel
1001x419x15mm
1Pc



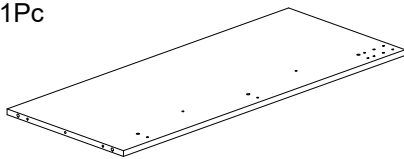
N1 Table Hat
1001x76x15mm
1Pc



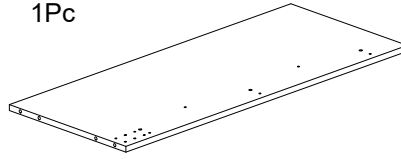
Q Frame B
997x76x15mm
3Pcs



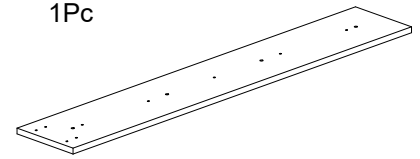
R Back Rail Panel L
955x395x15mm
1Pc



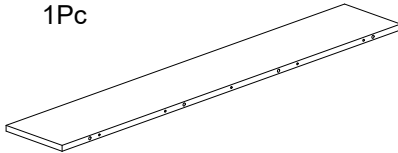
R1 Back Rail Panel R
955x395x15mm
1Pc



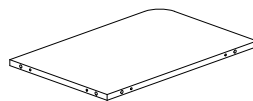
S Pillar
1148x190x15mm
1Pc



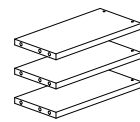
S1 Bed Slat Board
1148x190x15mm
1Pc



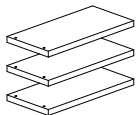
U Front Rail L
508x330x15mm
1Pc



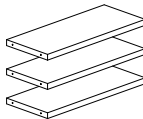
Y1 Drawer Side L
290x140x15mm
3Pcs



Y2 Drawer Side L
290x140x15mm
3Pcs



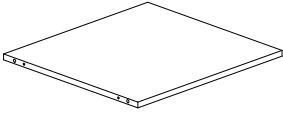
Y3 Drawer Back
331x139x15mm
3Pcs



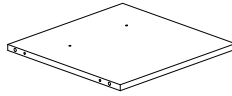
Assembly Instruction

Parts List - WF321599

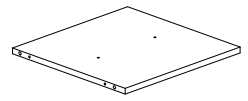
C Bottom Panel L
489x460x15mm
1Pc



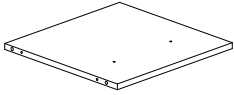
F Drawer Side Panel -L
390x382x15mm
1Pc



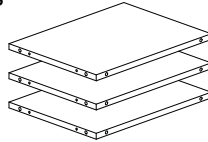
F1 Drawer Back Panel B
390x382x15mm
1Pc



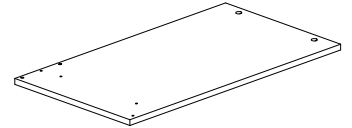
F2 Drawer Back Panel B
390x382x15mm
1Pc



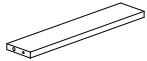
G Ladder Shelf Panel
390x296x15mm
3Pcs



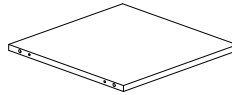
J Stand Panel R
715x390x15mm
1Pc



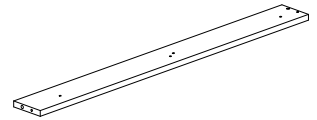
L Leg R
386x80x15mm
1Pc



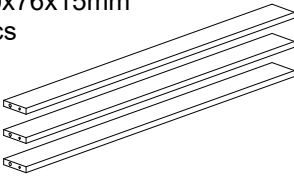
M Bottom Panel R
389x386x15mm
1Pc



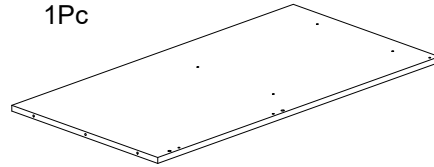
O Back Frame
910x90x15mm
1Pc



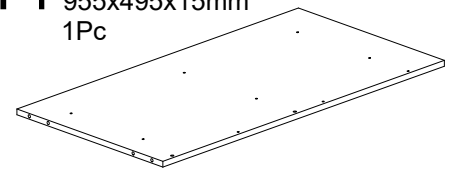
P Frame S
970x76x15mm
3Pcs



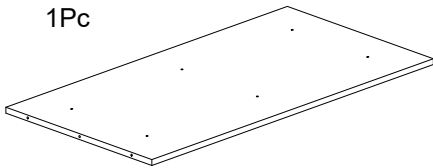
T Bed Panel
955x495x15mm
1Pc



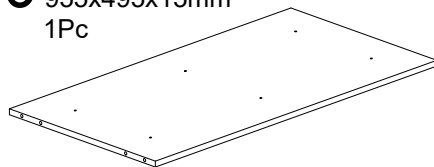
T1 Bed Panel
955x495x15mm
1Pc



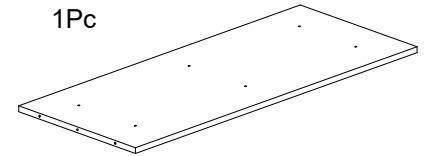
T2 Bed Panel
955x495x15mm
1Pc



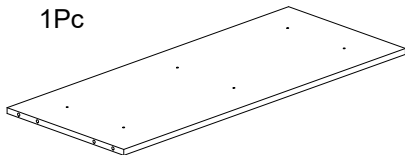
T3 Bed Panel
955x495x15mm
1Pc



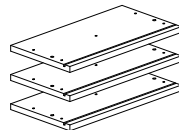
T4 Bed Panel
955x396x15mm
1Pc



T5 Bed Panel
955x396x15mm
1Pc



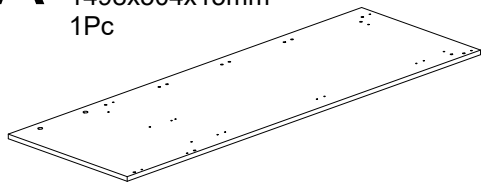
Y Drawer Front
378x201x15mm
3Pcs



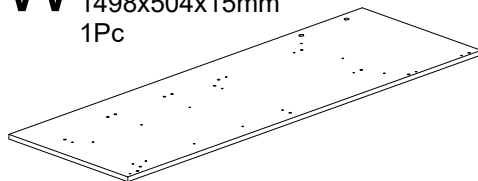
Assembly Instruction

Parts List - WF321600

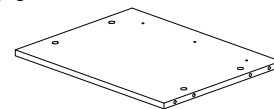
A Side Panel -L
1498x504x15mm
1Pc



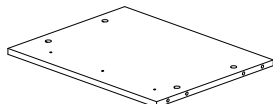
W Side Panel R
1498x504x15mm
1Pc



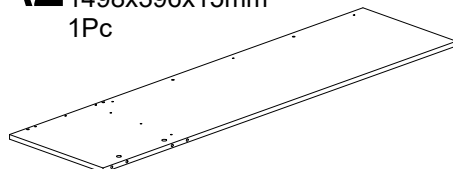
A1 Side Panel -L1
396x504x15mm
1Pc



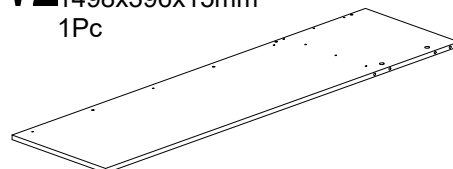
W1 Side Panel -R1
396x504x15mm
1Pc



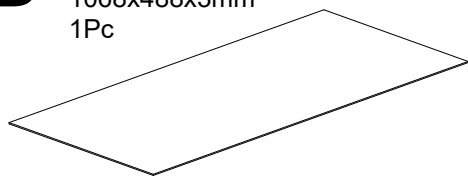
A2 Side Panel -L2
1498x396x15mm
1Pc



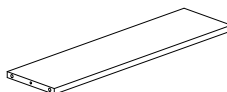
W2 Side Panel -R2
1498x396x15mm
1Pc



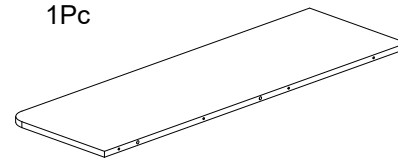
D Back Panel L
1068x488x3mm
1Pc



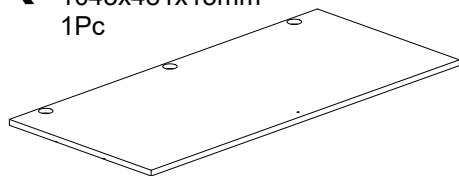
I Leg Mid
600x160x15mm
1Pc



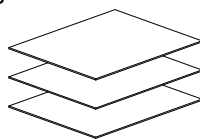
V Front Rail R
1026x330x15mm
1Pc



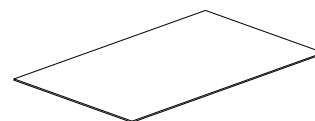
X Door Panel
1045x481x15mm
1Pc



Y4 Drawer Bottom
360x295x3mm
3Pcs

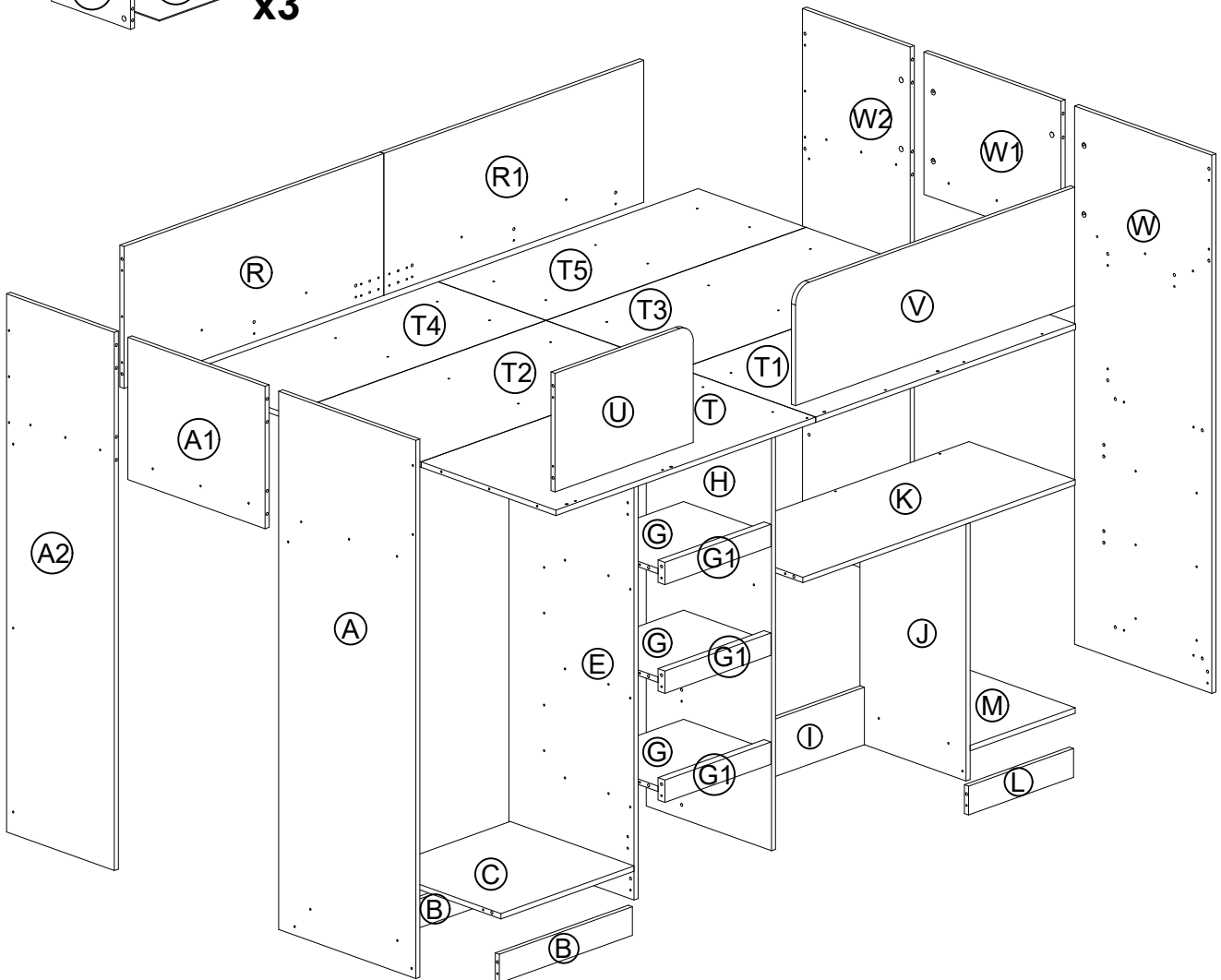
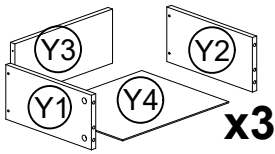
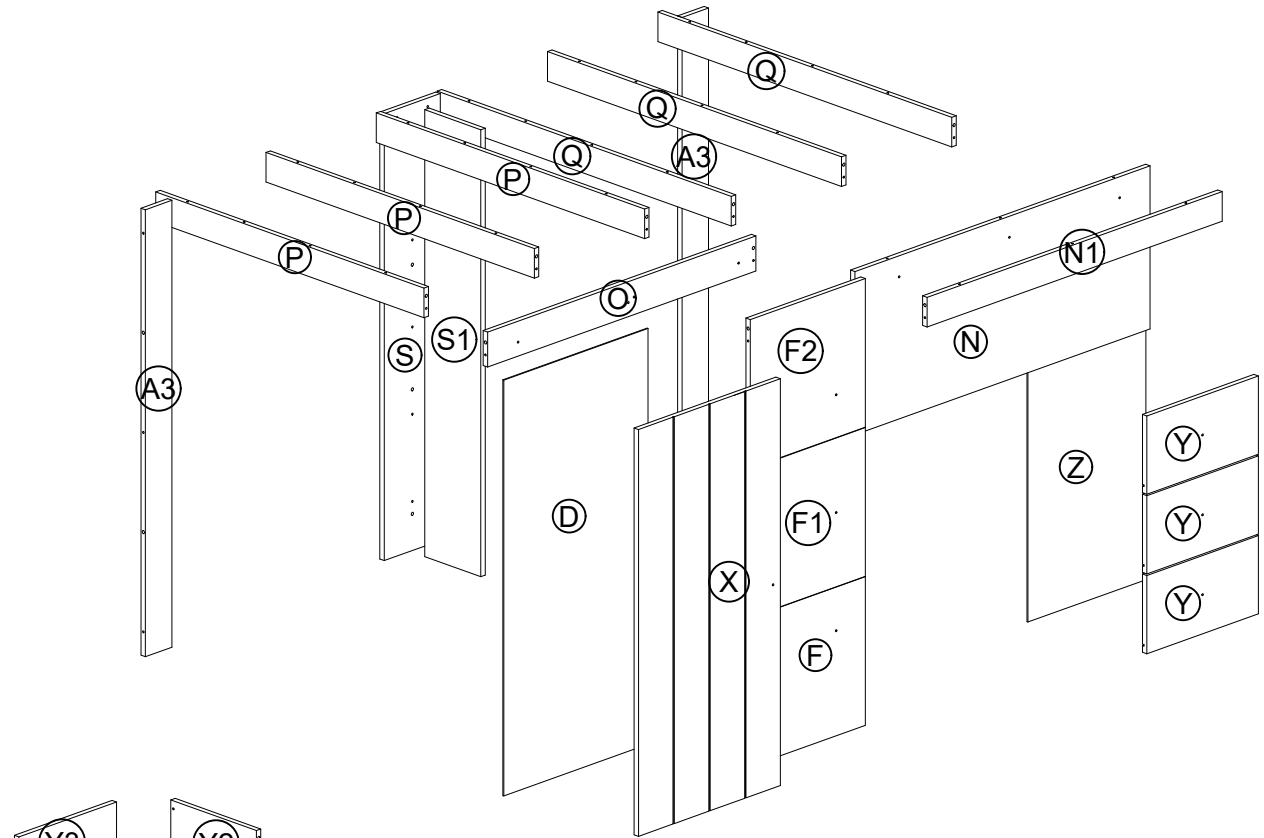


Z Back Panel R
649x400x3mm
1Pc



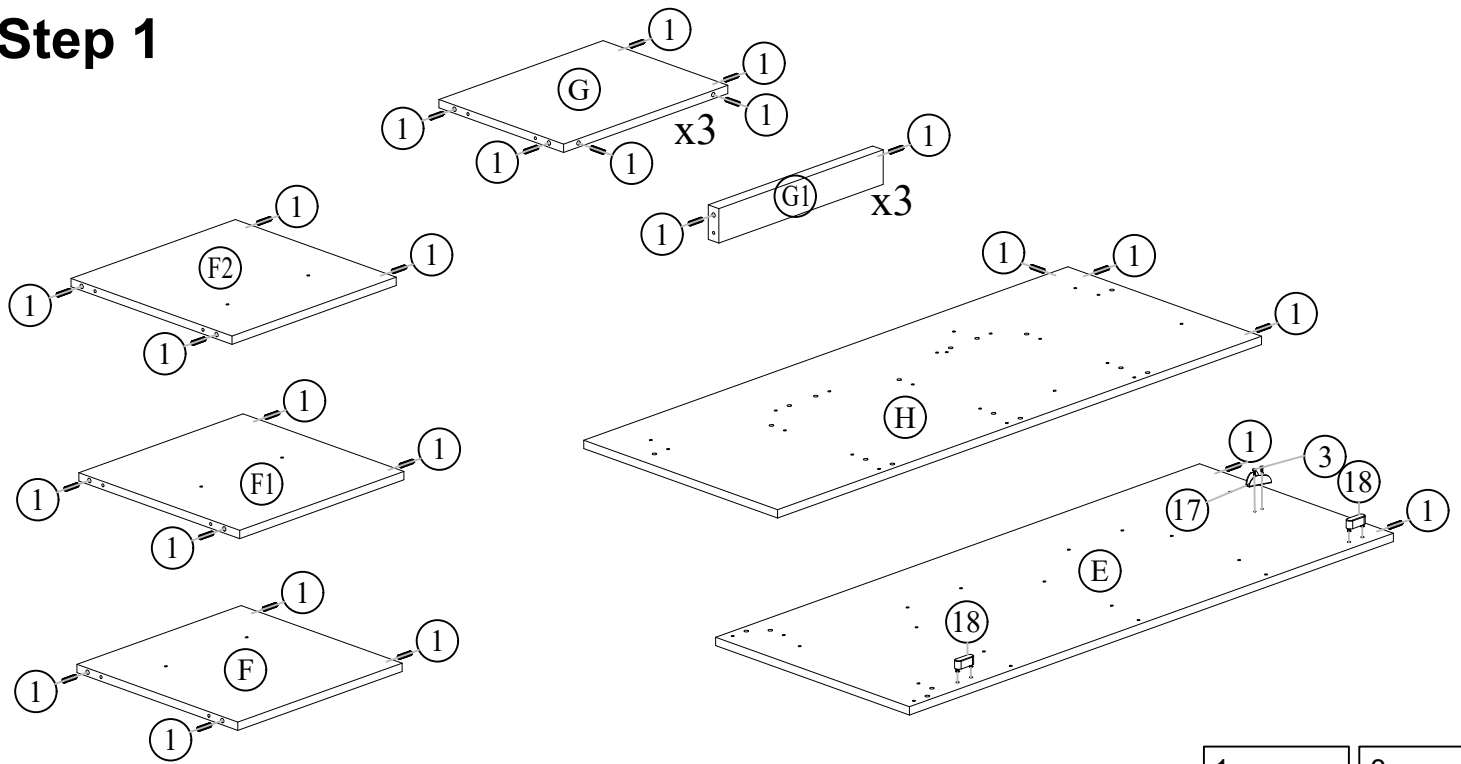
Assembly Instruction

The Breakdown

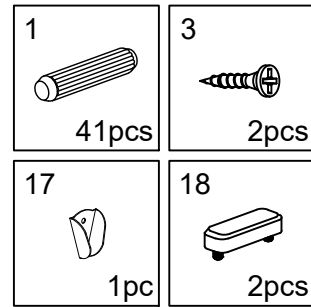


Assembly Instruction

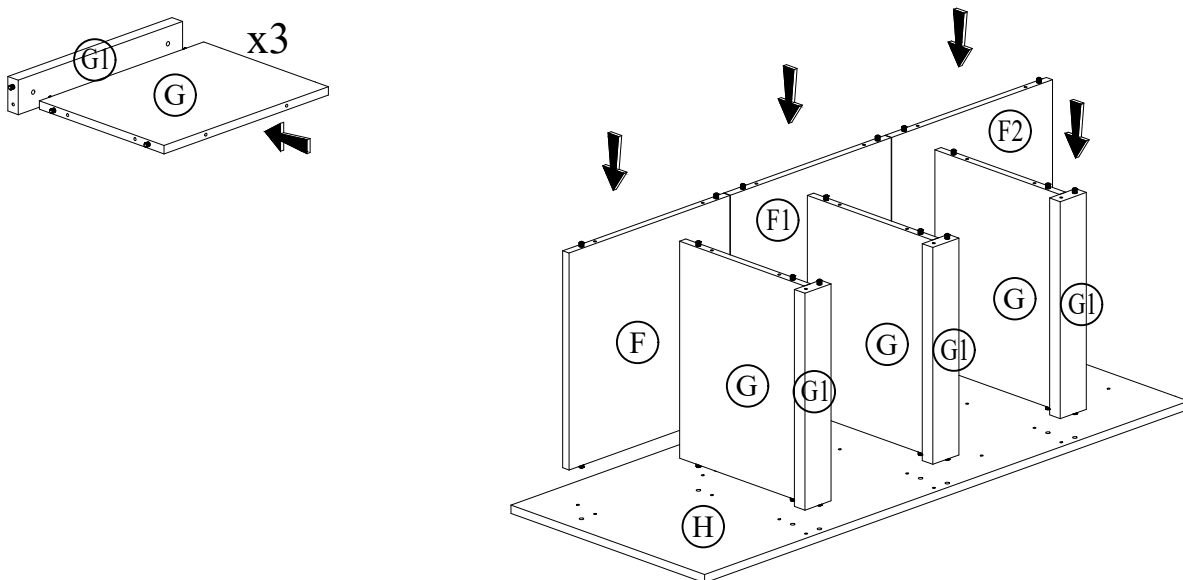
Step 1



- Install the 8x30mm wood dowel (1) into Panel (E), (F), (F1), (F2), (G), (G1) and (H) as shown in the diagram.
- Install the 2 pin stopper (18) into Panel (E)
- The V Bracket (17), use the M3.5x14mm screws (3) to attach them to Panel (E)



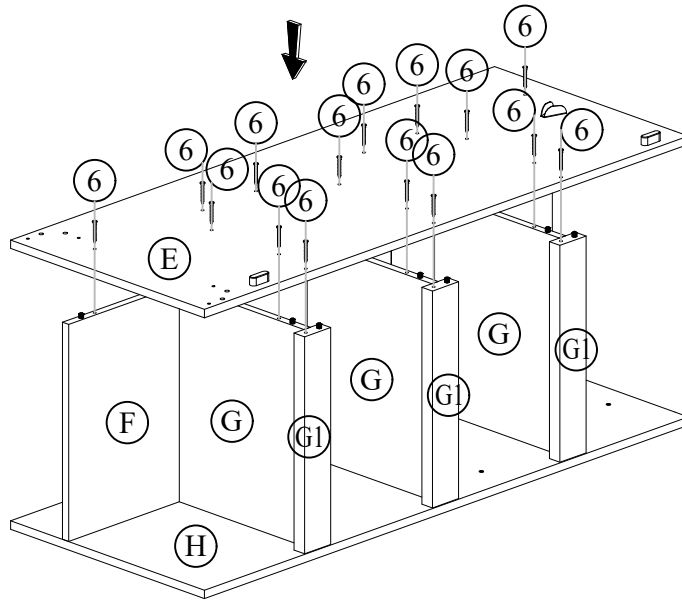
Step 2



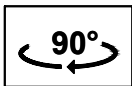
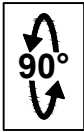
- Assembling Panels (G) and (G1) as shown in the diagram.
- Then rotate them 90° and attach them to Panel (H).
- Following with Panel (F), (F1) and (F2).

Assembly Instruction

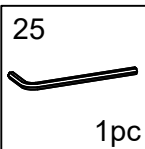
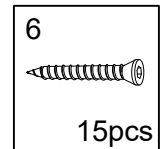
Step 3



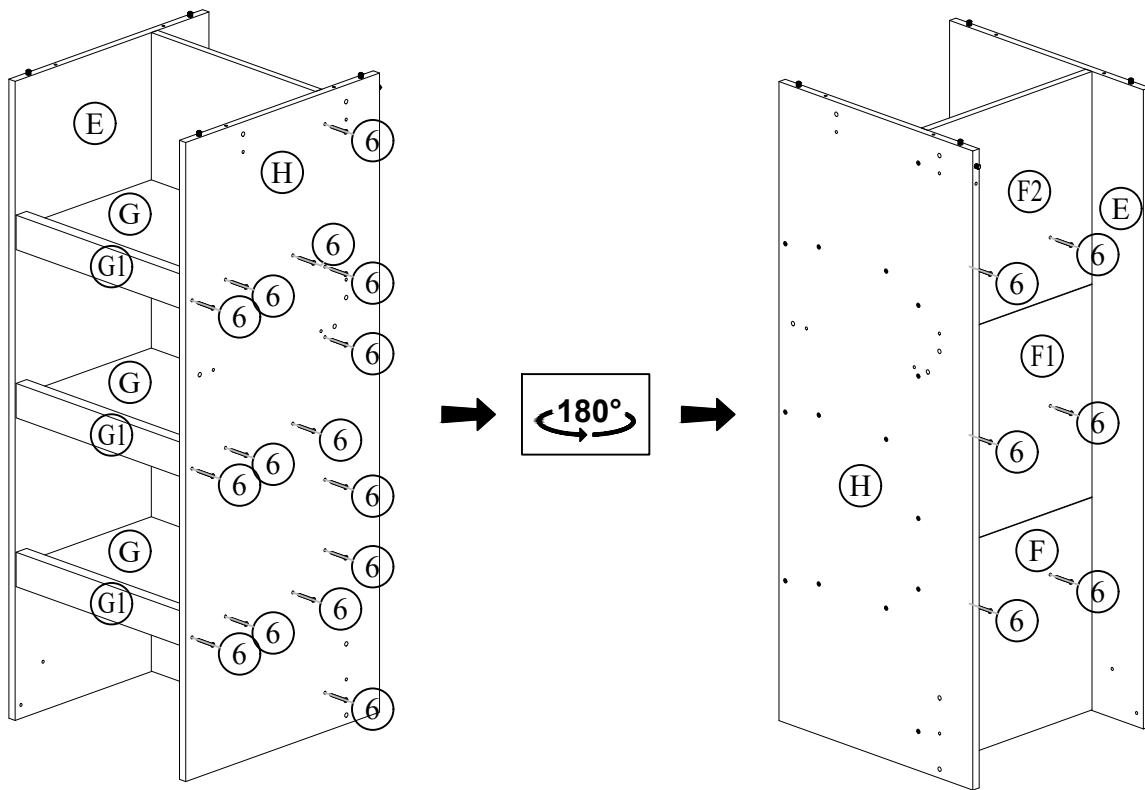
- Put Panel (E) onto Panels as shown.
- Then insert M6X40mm Screws (6) to corresponding hole as shown in diagram.
- Use the Allen Key (25) to tighten the M6x40mm Screws (6) securely.



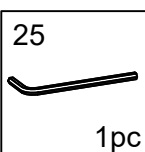
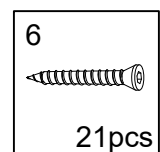
Step 4



Step 4

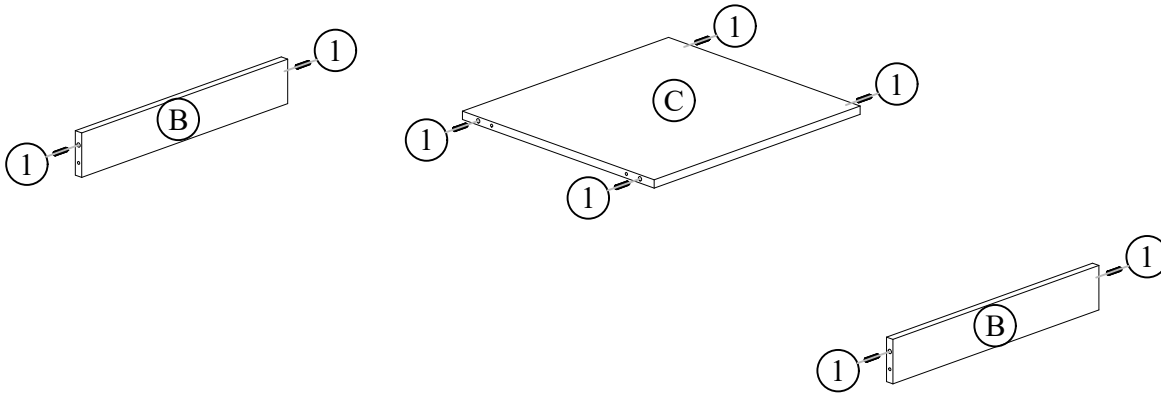


- Insert M6X40mm Screws (6) to corresponding hole as shown in diagram.
- Use the Allen Key (25) to tighten the M6x40mm Screws (6) securely.

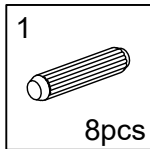


Assembly Instruction

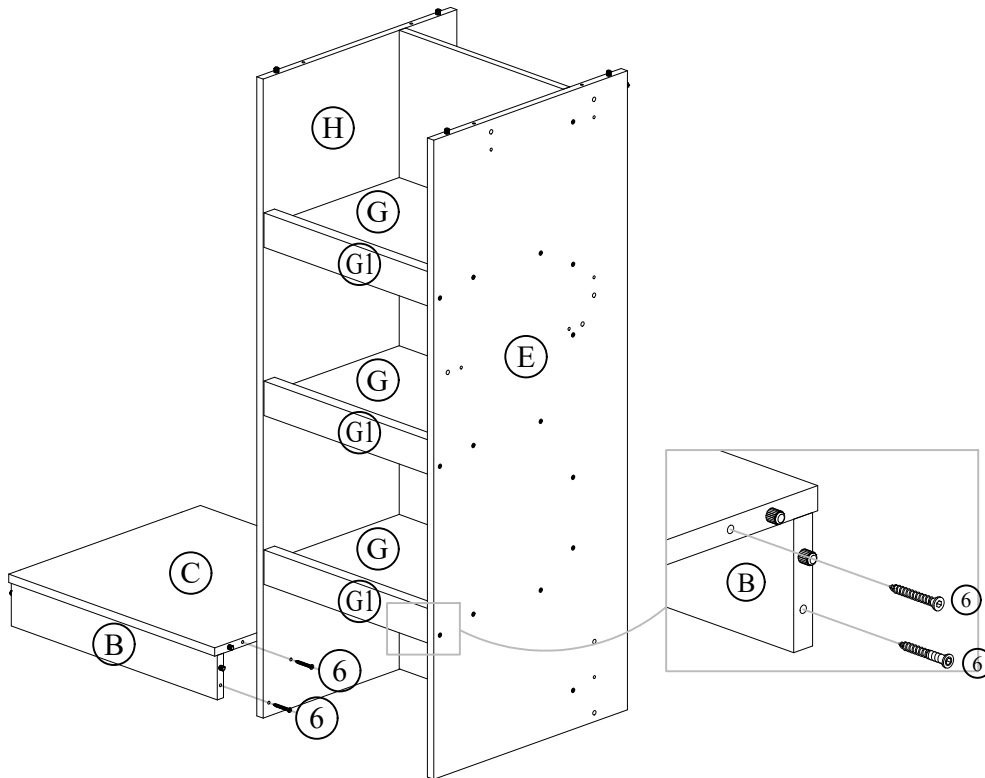
Step 5



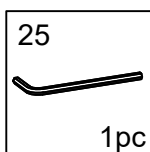
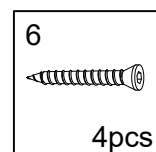
- Install the 8x30mm wood dowel ① into Panel ②,③



Step 6

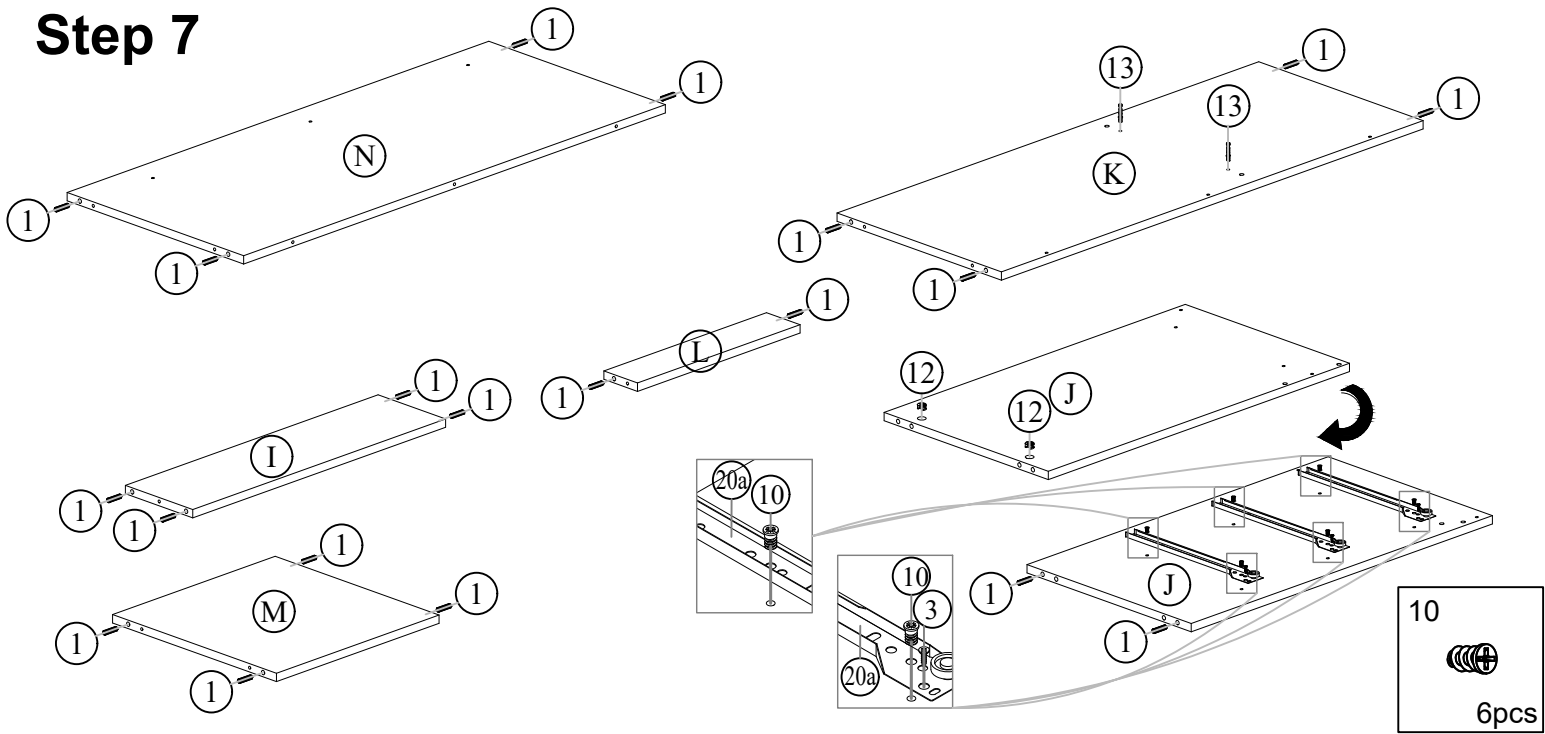


- Connect Panel ②,③ to ④.
- Insert M6X40mm Screws ⑥ and use the Allen Key ⑤ to tighten the M6x40mm Screws securely.

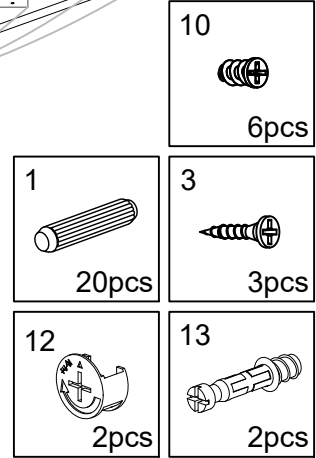


Assembly Instruction

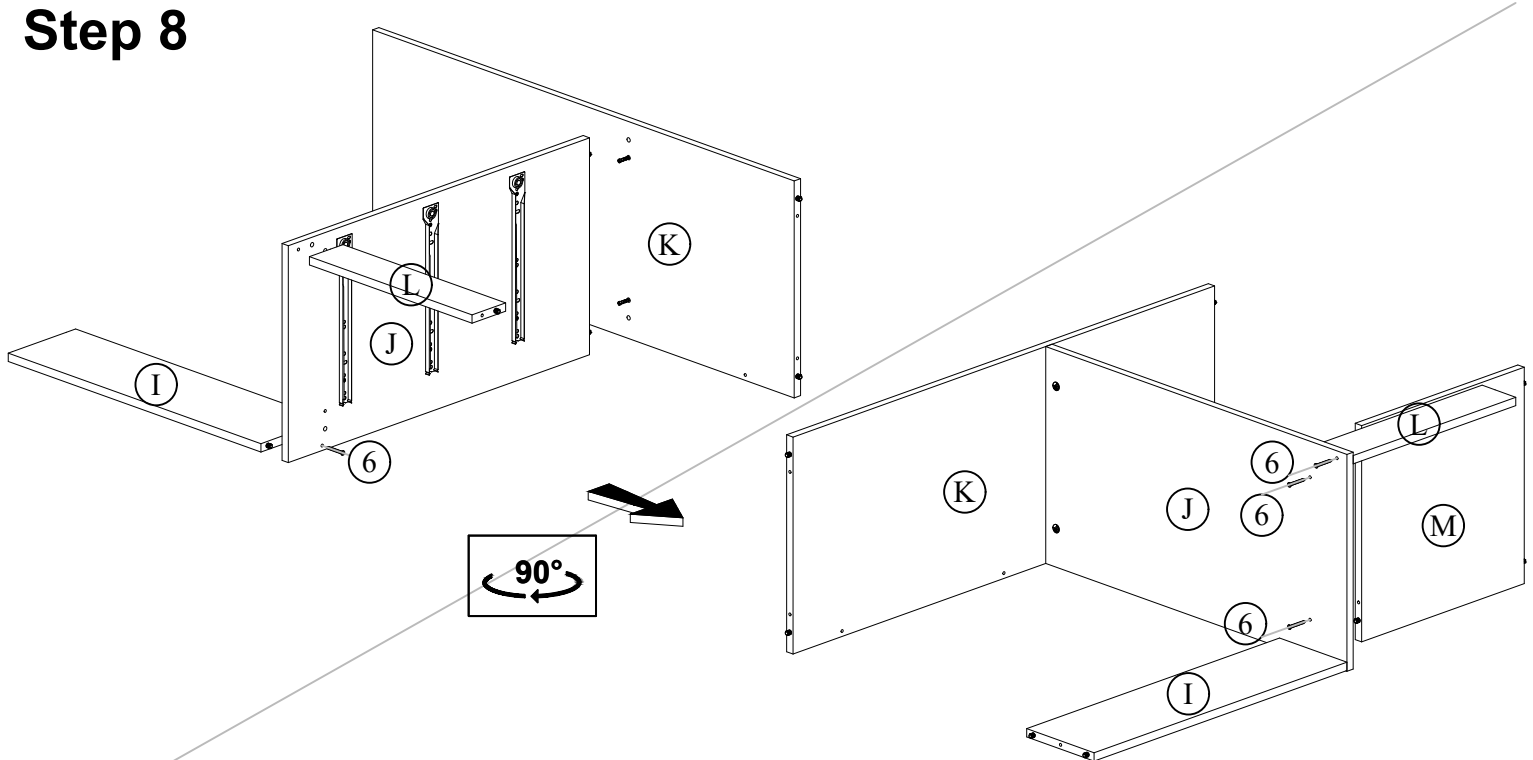
Step 7



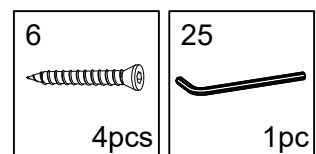
- Install the 8x30mm wood dowel (1) into Panel (I), (J), (K), (L), (M), (N) as shown in the diagram.
- Insert Minifix Nut (12) into Panel (J).
- Insert Minifix Bolt (13) into Panel (K).
- Put Drawer Slide (20a) onto Panel (J) and use Euro Screw (10) and M3.5x14mm Screw (3) to tighten it.



Step 8

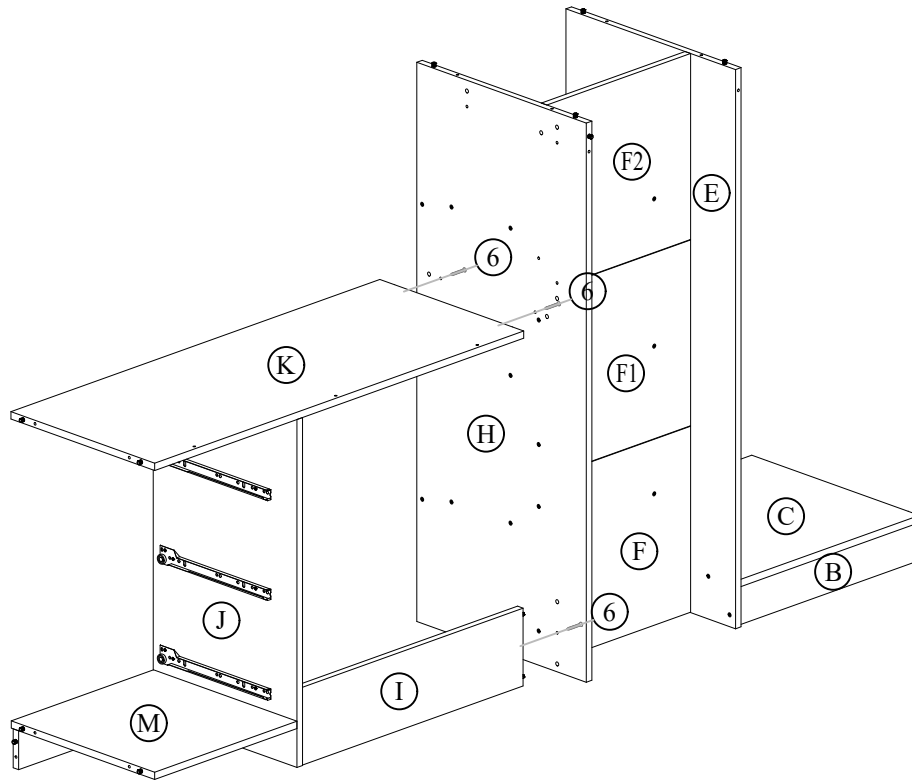


- Assembling Panels (I), (J), (K) and (L) as shown in the diagram.
- Insert M6X40mm Screws (6) to corresponding hole as shown in diagram, and use Allen Key (25) to tighten it securely.
- Then rotate 90° and assemble with Panel (M)
- Repeat insert M6X40mm Screws (6) to corresponding hole as shown in diagram, and use Allen Key (25) to tighten it securely.

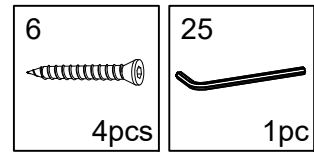


Assembly Instruction

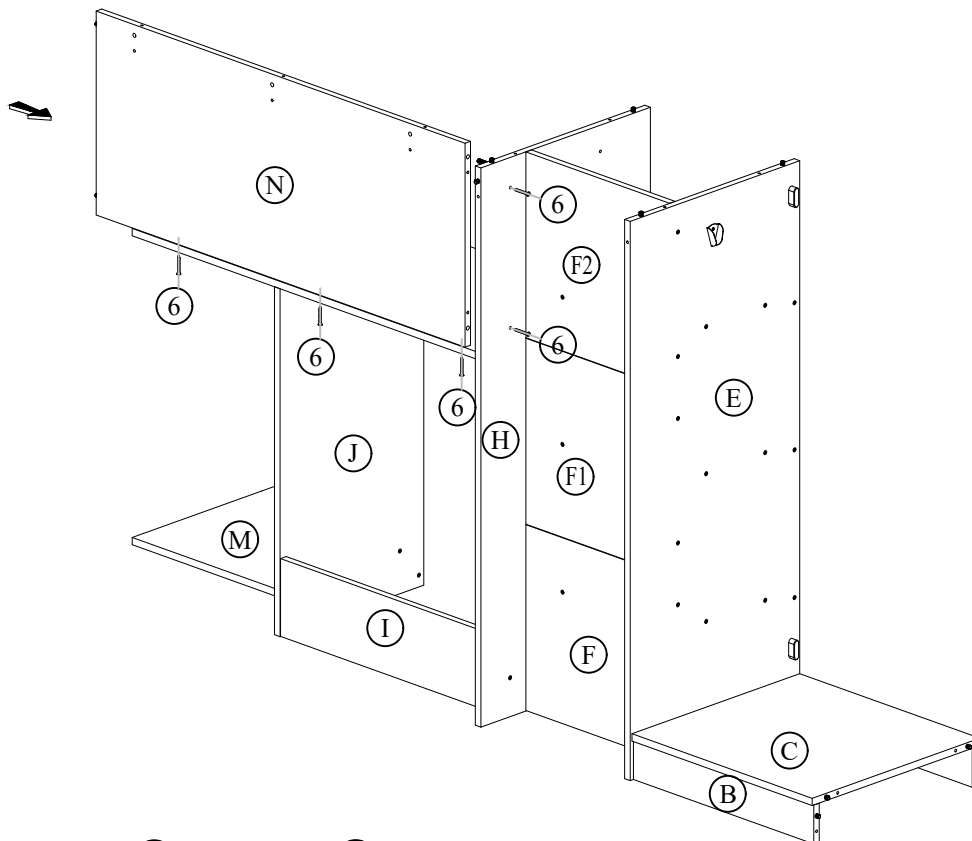
Step 9



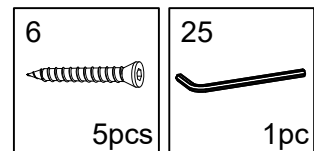
- Connect Panel (I) and (K) to Panel (H).
- Insert M6X40mm Screws (6) and use the Allen Key (25) to tighten the M6x40mm Screws securely.



Step 10

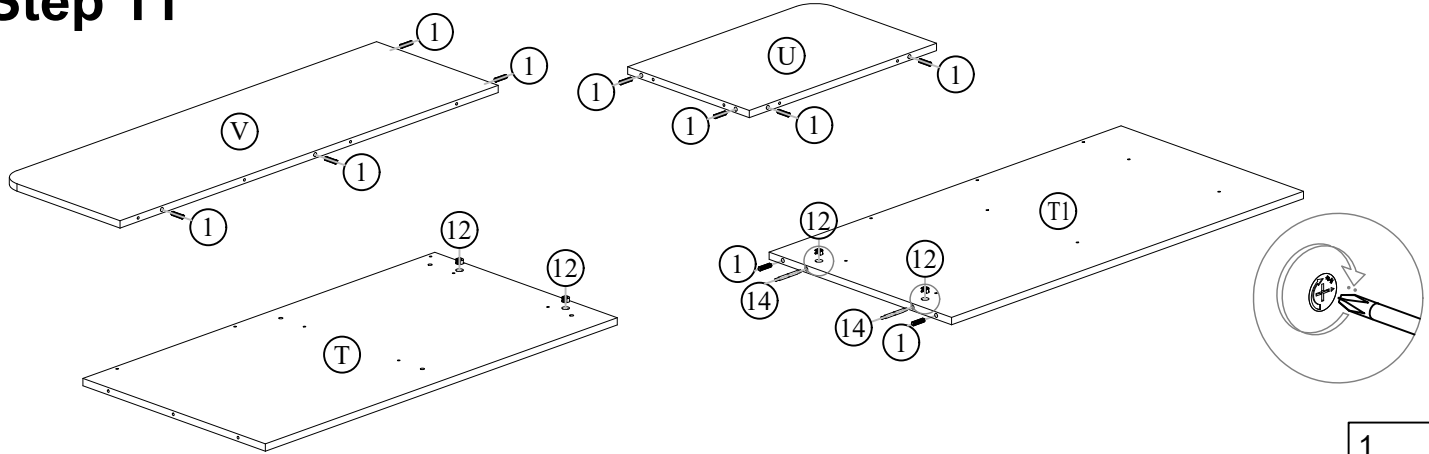


- Connect Panel (N) to Panel (H).
- Insert M6X40mm Screws (6) and use the Allen Key (25) to tighten the M6x40mm Screws securely.

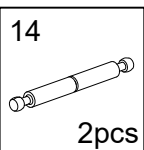
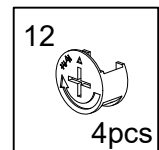
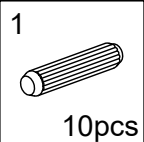


Assembly Instruction

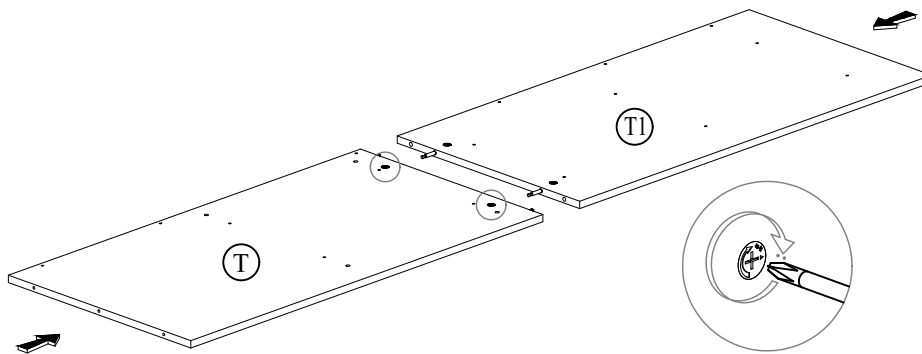
Step 11



- Install the 8x30mm wood dowel (1) into Panel (U), (V), (T), (T1) as shown in the diagram.
- Insert Minifix Nut (12) into Panel (T), (T1).
- Insert Minifix Stick (14) into Panel (T1) and lock it with screw driver

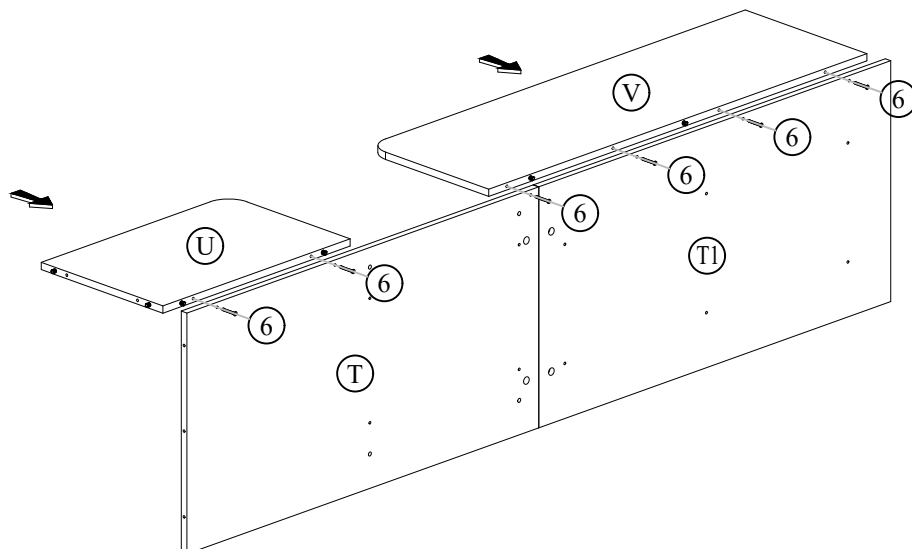


Step 12

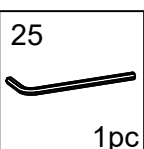
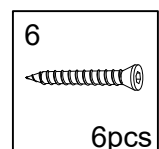


- Check Intersect part of Panel (T) and (T1), lock the Minifix Nut with screw driver

Step 13

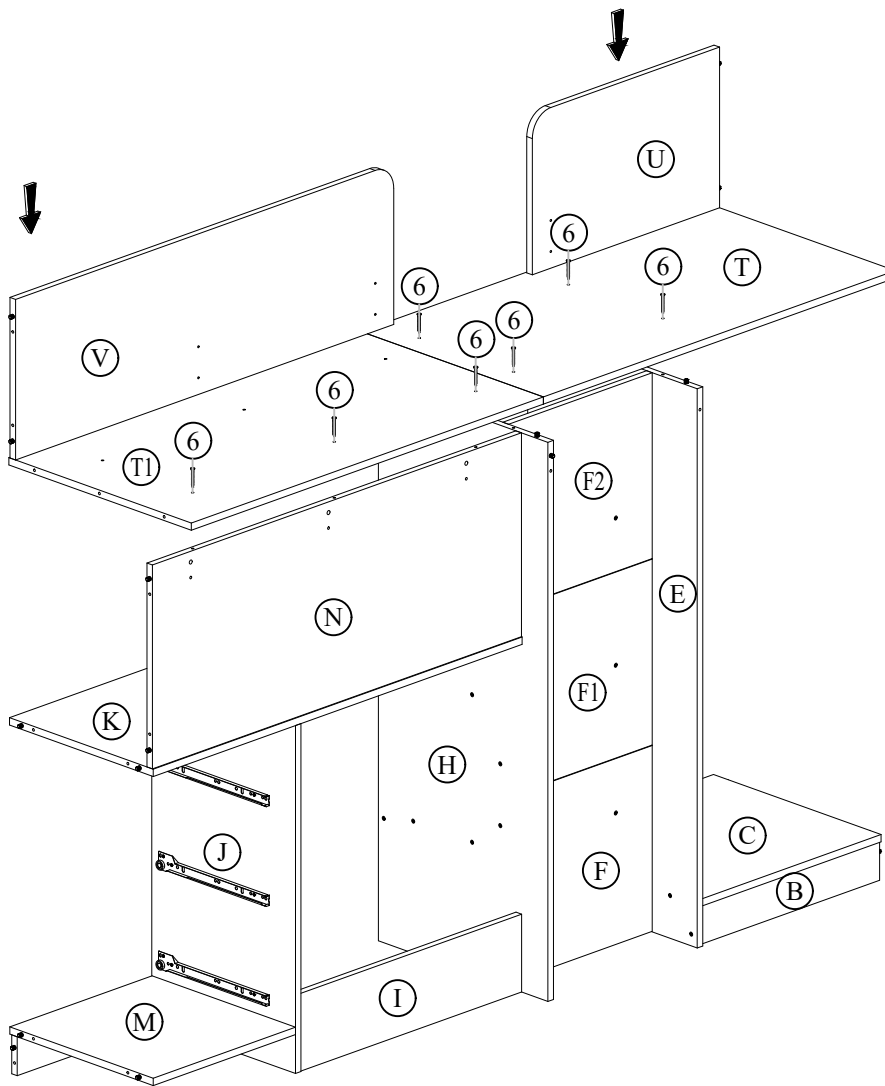


- Connect Panel (U) to (T) and Panel (V) to (T1).
- Insert M6X40mm Screws (6) and use the Allen Key (25) to tighten the M6x40mm Screws securely.

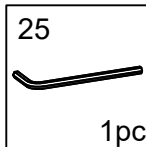
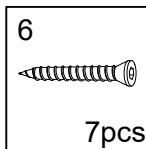


Assembly Instruction

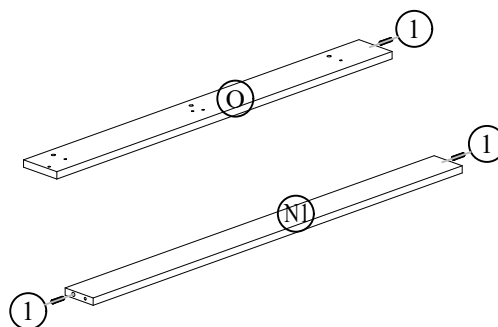
Step 14



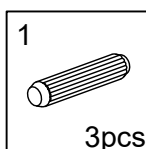
- Place Panel (T) and (T1) on Panel (N), (E), (H).
- Insert M6X40mm Screws (6) and use the Allen Key (25) to tighten the M6x40mm Screws securely.



Step 15

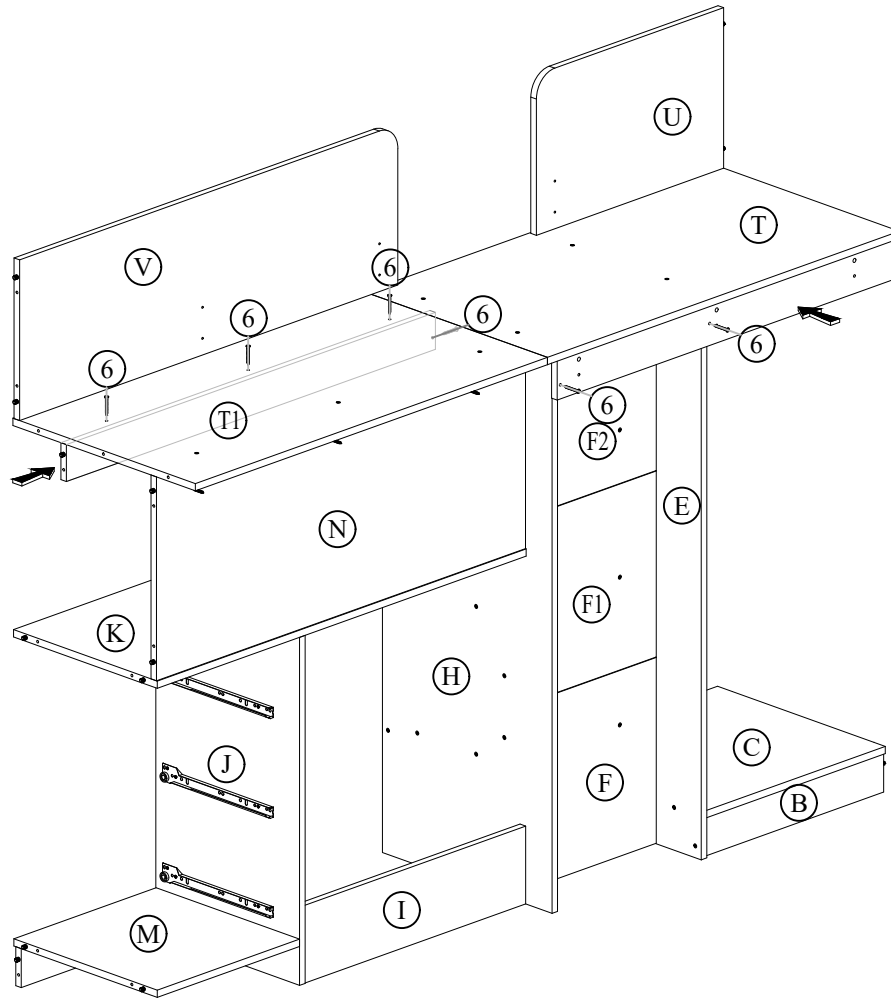


- Install the 8x30mm wood dowel (1) into Panel (O), (N1) as shown in the diagram.

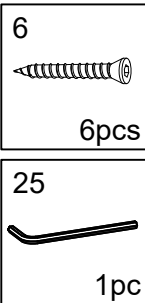


Assembly Instruction

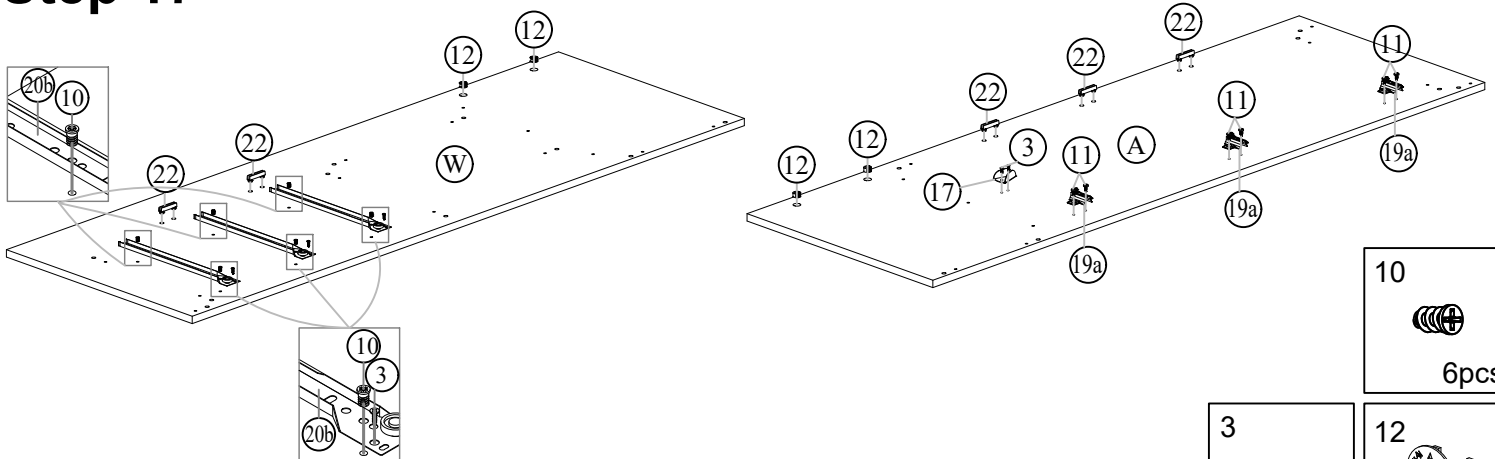
Step 16



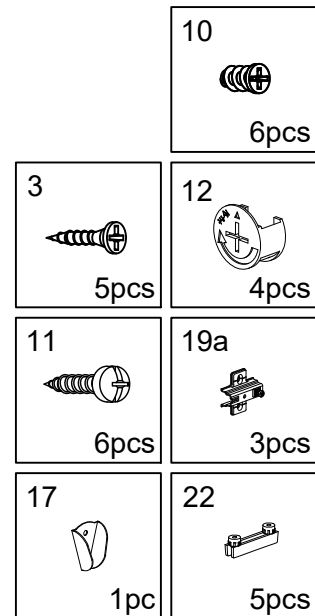
- Connect Panel (N) to (H) and Panel (U) to (H), (E).
- Insert M6X40mm Screws (6) and use the Allen Key (25) to tighten the M6x40mm Screws securely.



Step 17

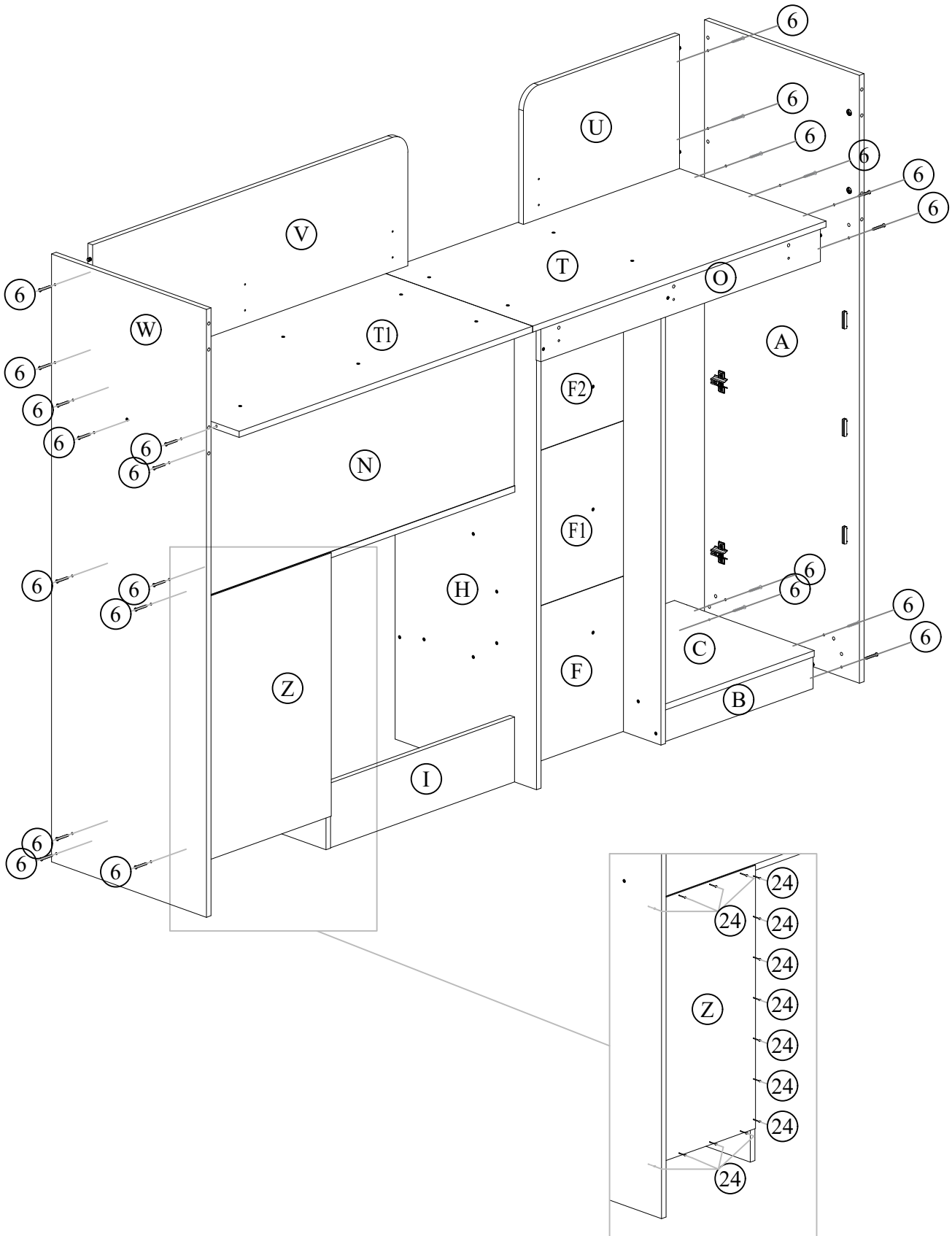


- Install mini fix nuts (12) in Panel (A) and Panel (W) as shown in the diagram.
- Install the MDF Support (22) into Panel (A), (W).
- The V Bracket (17), use the M3.5x14mm screws (3) to attach them to Panel (A)
- Place Hinges Plate (19a) on Panel (A) and tighten it with TP 10#x1/2" Screw (11)
- Put Drawer Slide (20b) onto Panel (W) and use Euro Screw (10) and M3.5x14mm Screw (3) to tighten it.

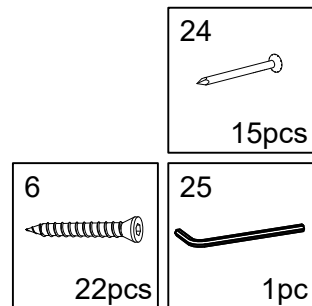


Assembly Instruction

Step 18

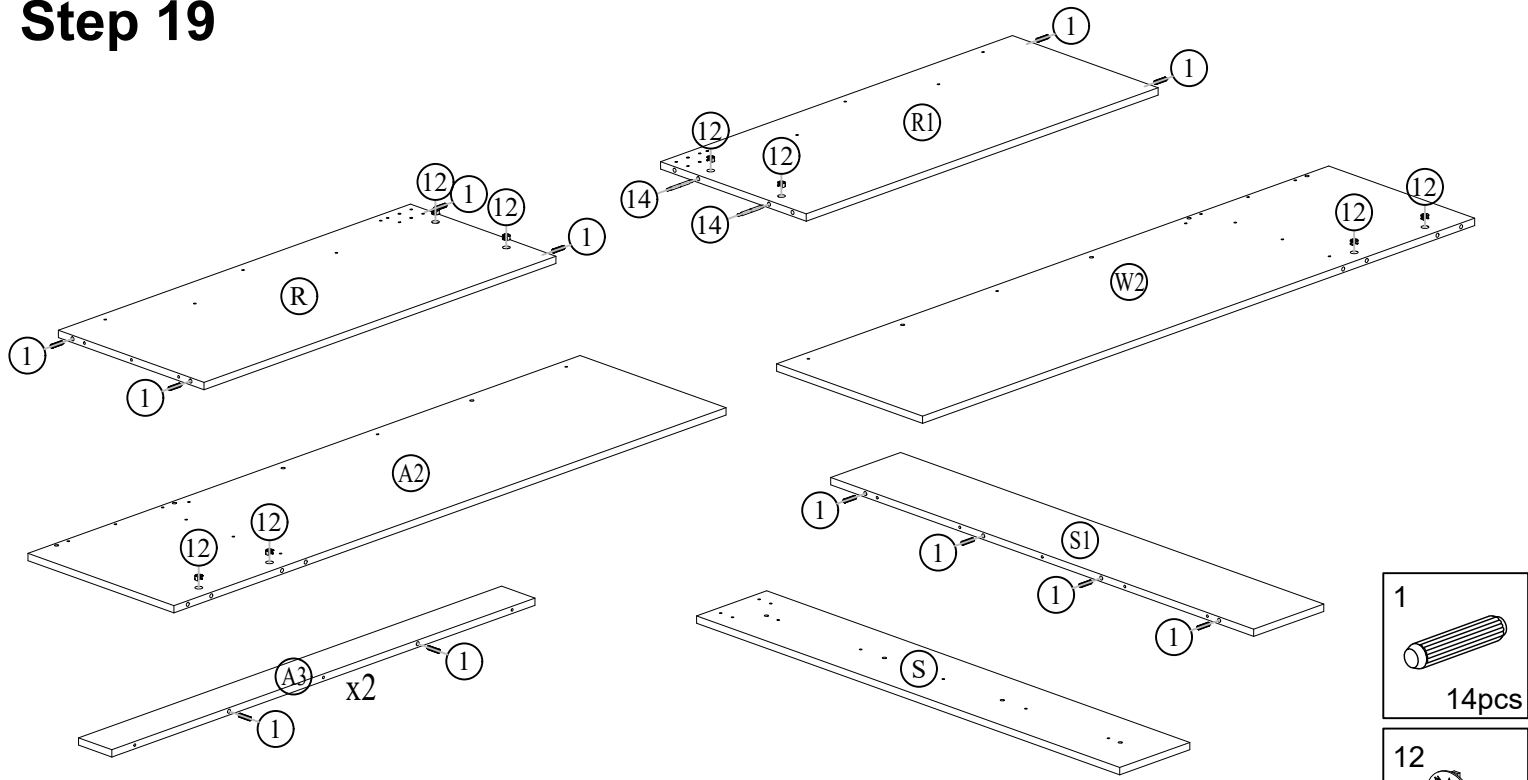


- Connect Panel (W) to (K), (L), (M), (N), (N1), (T1), (V).
- Connect Panel (A) to (B), (C), (O), (T), (U).
- Insert M6X40mm Screws (6) and use the Allen Key (25) to tighten the M6x40mm Screws securely.
- Attach Panel (Z) to Panel (W).
- Then hammered Nails (24) to the corresponding position as shown in diagram.



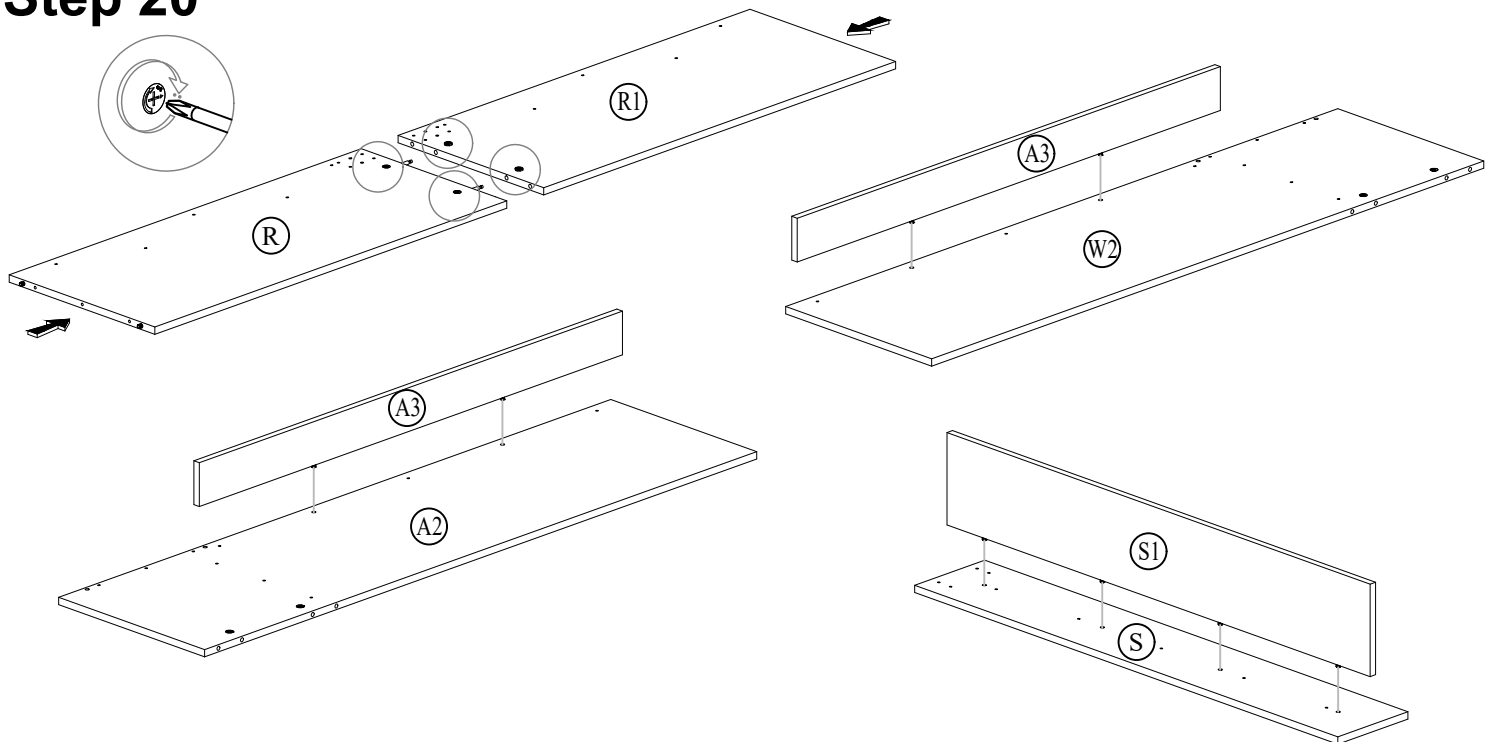
Assembly Instruction

Step 19



- Install the 8x30mm wood dowel (1) into Panel (A3), (R), (R1) and (S1) as shown in the diagram.
- Insert Minifix Nut (12) into Panel (A2), (R), (R1) and (W2).
- Insert Minifix Stick (14) into Panel (R1) and lock it with screw driver

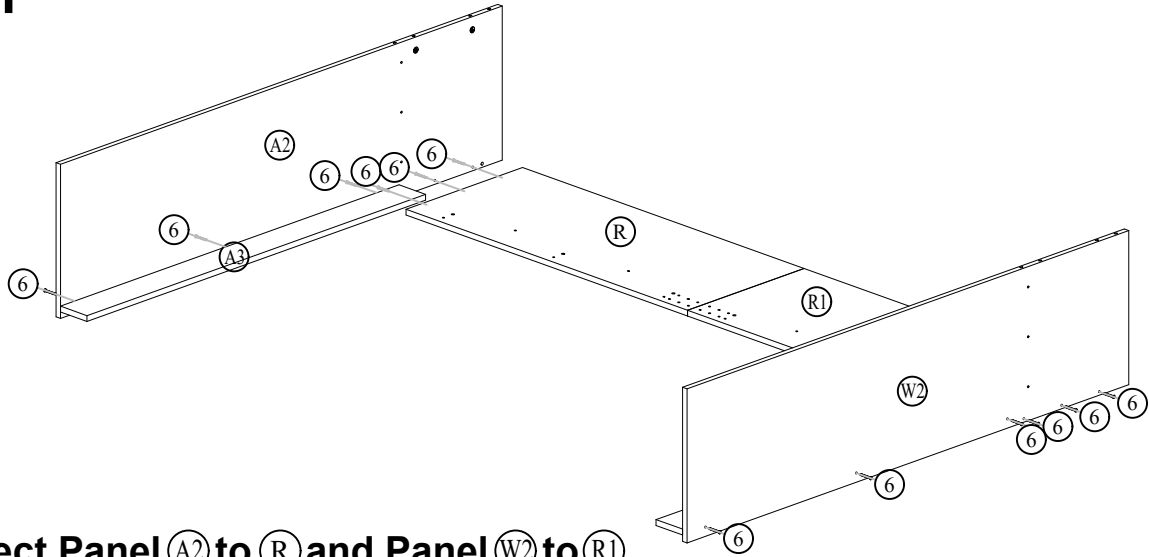
Step 20



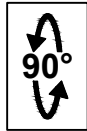
- Connect Panel (R) and (R1), then lock the Minifix Nut with screw driver.
- Connect Panel (A2) and (A3) as shown in diagram.
- Connect Panel (W2) and (A3) as shown in diagram.
- Connect Panel (S) and (S1) as shown in diagram.

Assembly Instruction

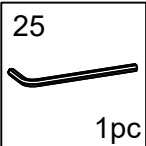
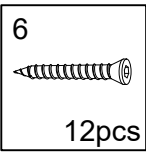
Step 21



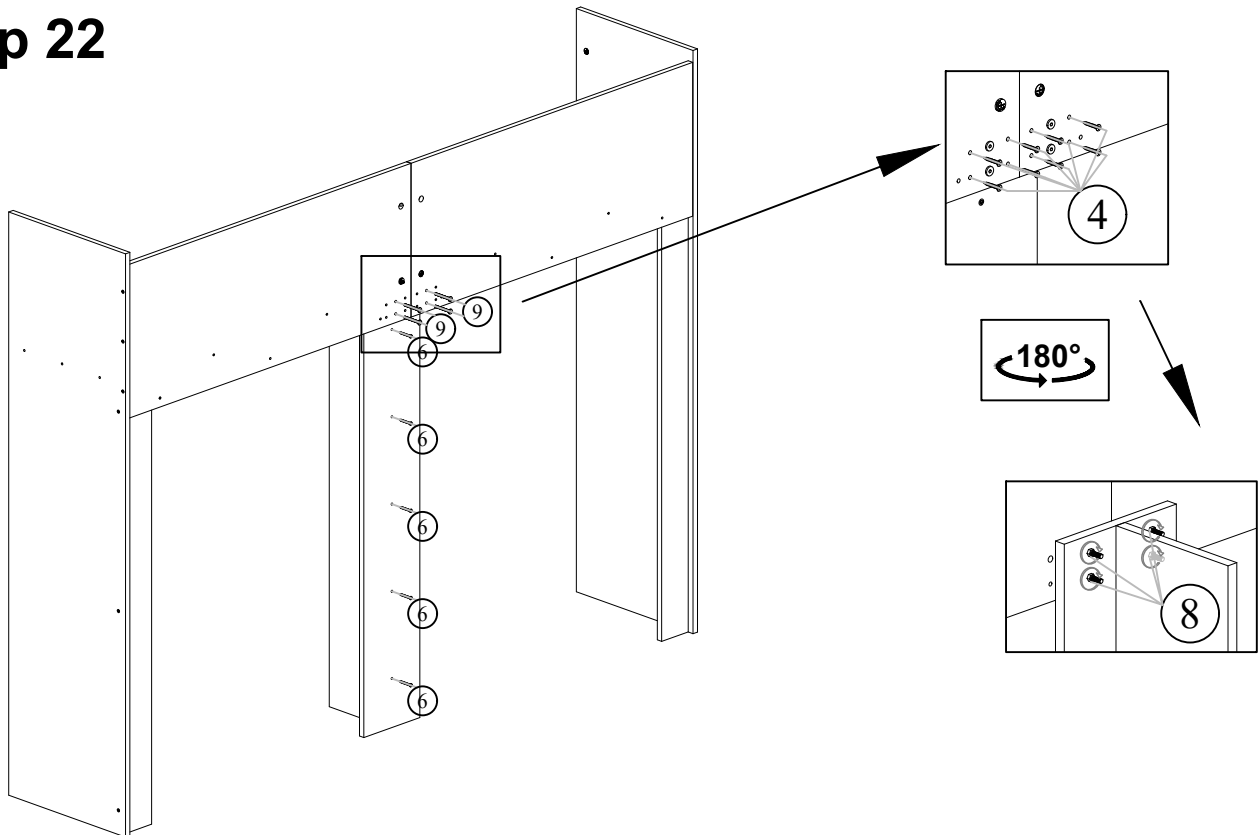
- Connect Panel (A2) to (R) and Panel (W2) to (R1) .
- Insert M6X40mm Screws (6) to corresponding hole as shown in diagram.
- Use the Allen Key (25) to tighten the M6x40mm Screws (6) securely.



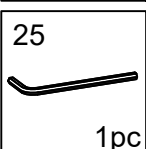
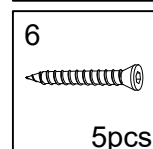
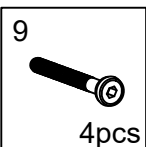
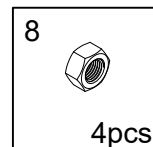
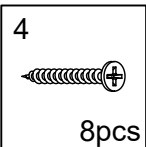
➔ Step 20



Step 22

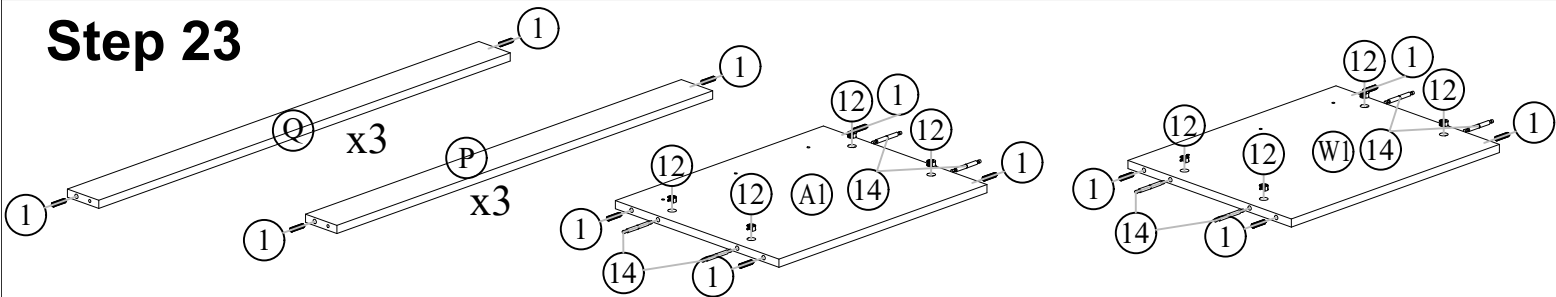


- Insert JCBC M6x50mm Bolt (9) to corresponding hole as shown in diagram.
- Insert M4x28mm Screw (4) to corresponding hole as shown.
- Go to another side of same part, attach M6 Nut (8) to M6x50mm Bolt then spin it clockwise to tighten it
- Insert M6x40mm Screw (6) to corresponding hole as shown, using Allen Key (25) to tighten it.

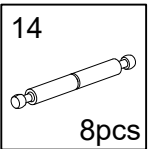
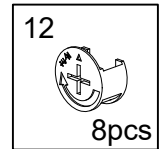
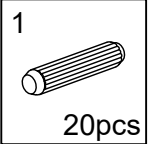


Assembly Instruction

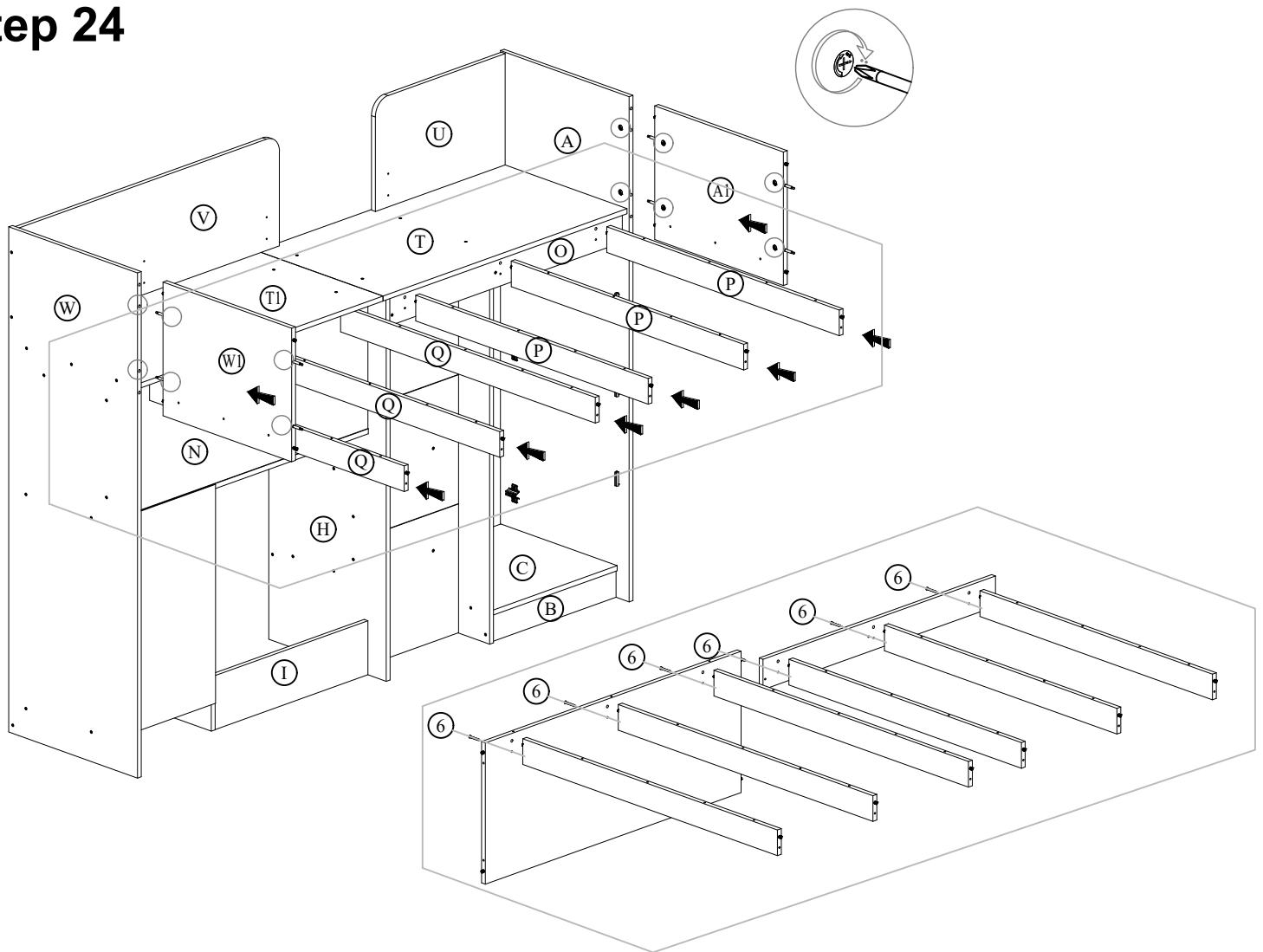
Step 23



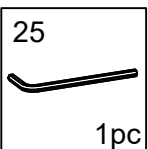
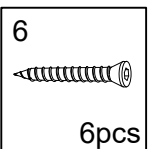
- Install the 8x30mm wood dowel (1) into Panel (Q), (P), (A1) and (W1) as shown in the diagram.
- Install mini fix nuts (12) in Panel (A1) and Panel (W1) as shown in the diagram.
- Insert Minifix Stick (14) into Panel (A1) and (W1), then lock it with screw driver



Step 24

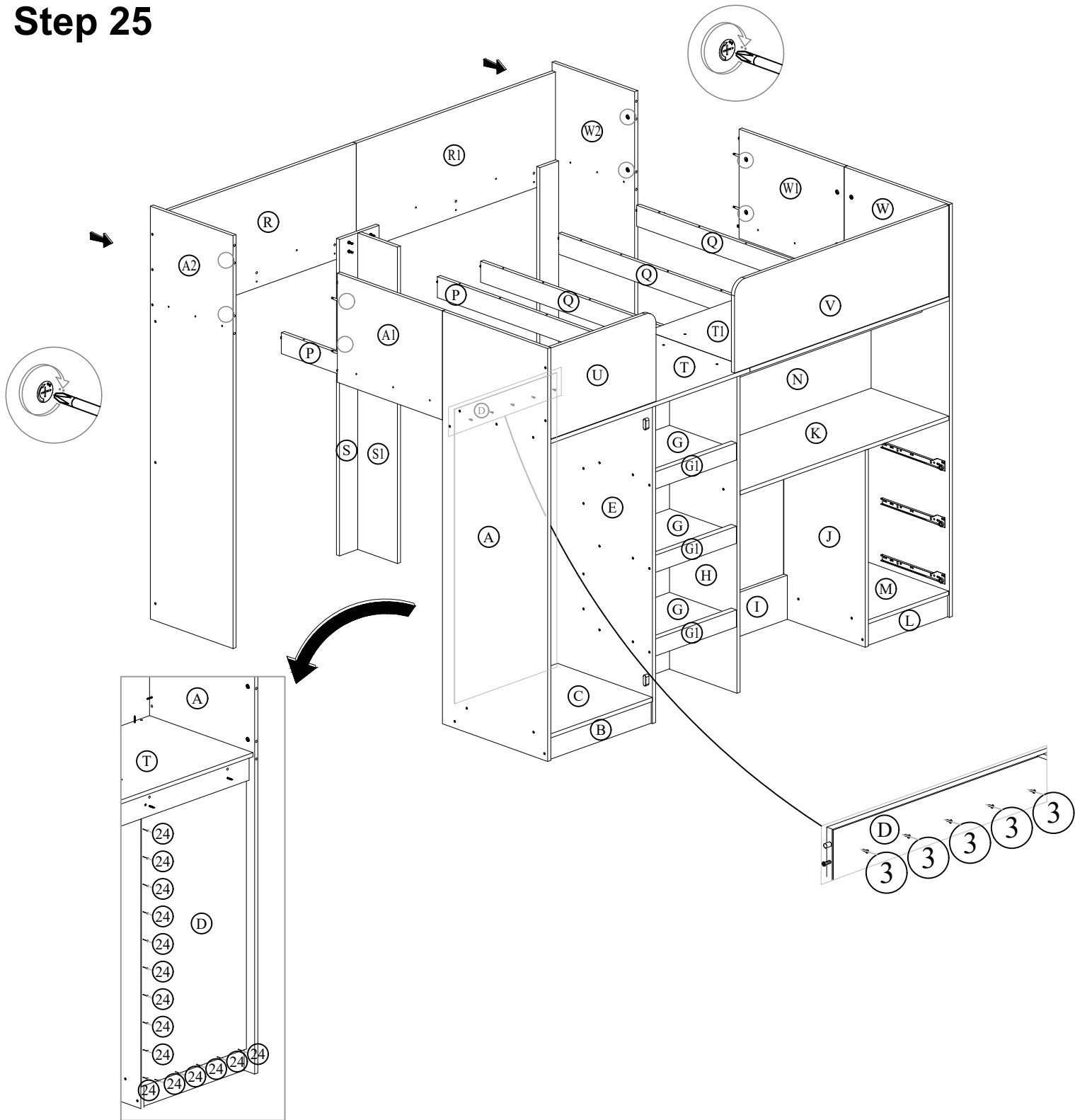


- Connect Panel (A1) with (A); Panel (W1) with (W). Then use screw driver to tighten the Minifix Nut.
- Attach Panel (Q) to (N); Panel (P) to (O).
- Insert M6x40mm Screw (6) to corresponding hole as shown, using Allen Key (25) to tighten it.

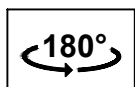


Assembly Instruction

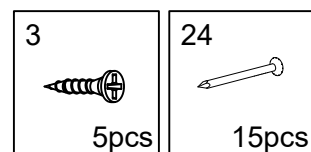
Step 25



- Connect Part from Step 21 and Part from Step 23.
- Check Intersect part of Panel (A1) and (A2); Panel (W1) and (W2).
Then lock the Minifix Nut with screw driver
- Check back of Panel (A), attach Panel (D) to Panel (A) and (E).
- Then hammered Nails (24) to the corresponding position as shown in diagram.
- Look into space between Panel (A) and (E), insert M3.5x14mm Screw (3) to tighten Panel (D) with (O).

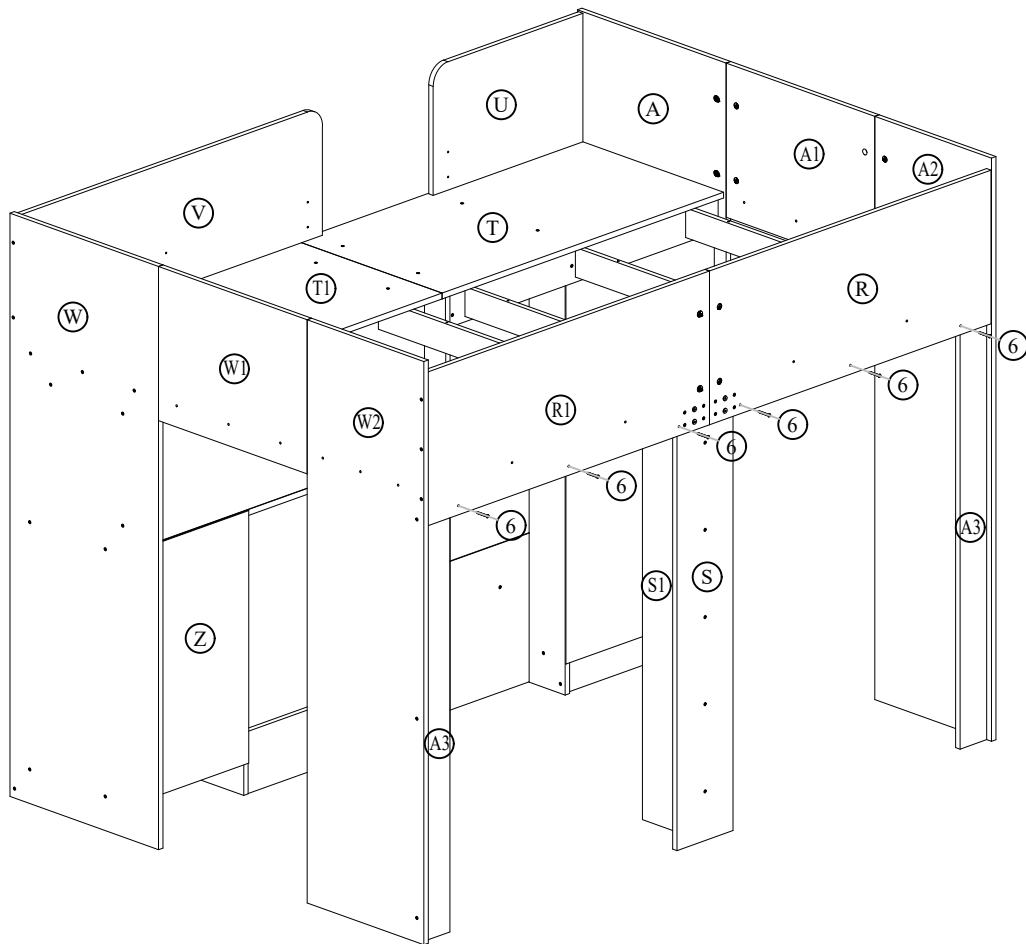


➔ Step 25

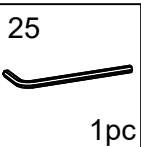
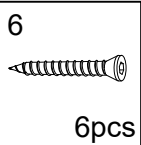


Assembly Instruction

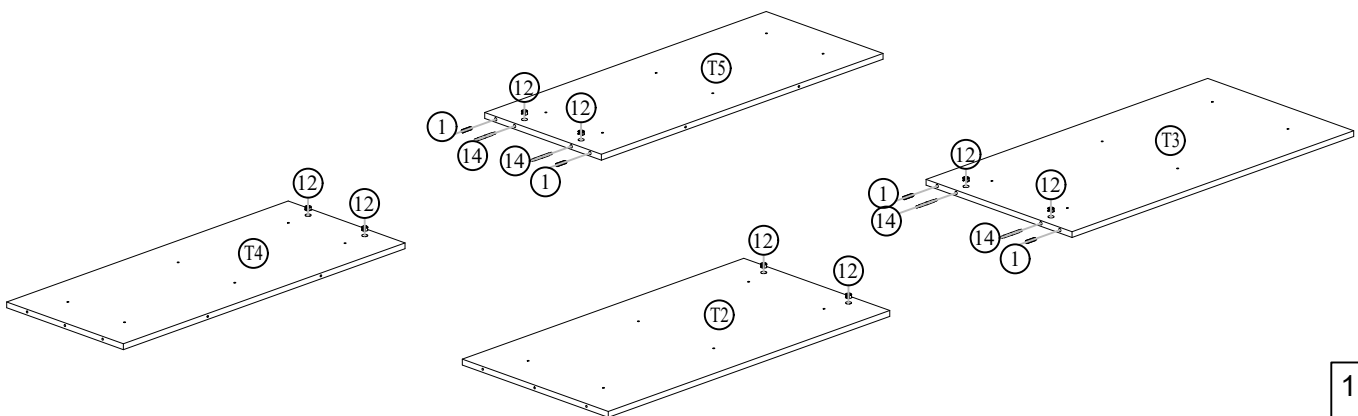
Step 26



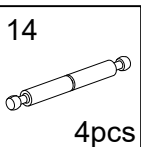
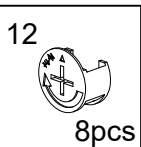
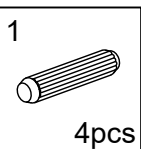
- Insert M6x40mm Screw (6) to corresponding hole as shown, using Allen Key (25) to tighten it.



Step 27

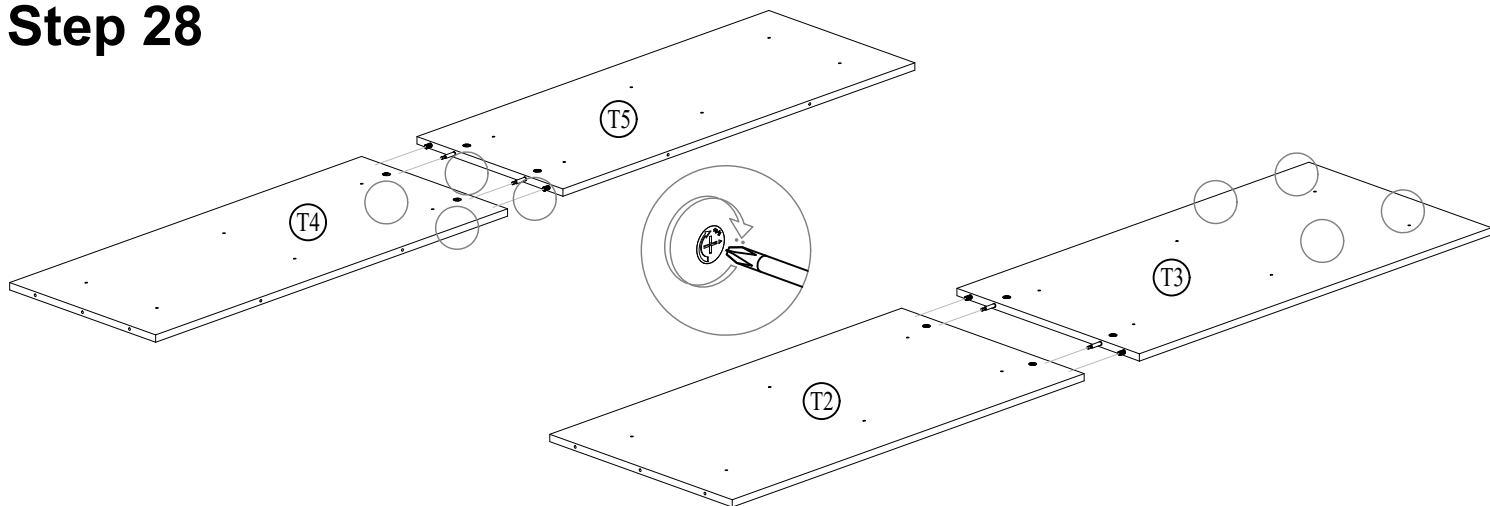


- Install the 8x30mm wood dowel (1) into Panel (T2), (T3), (T4) and (T5) as shown in the diagram.
- Insert Minifix Nut (12) into Panel (T2), (T3), (T4) and (T5).
- Insert Minifix Stick (14) into Panel (T3), (T5) then lock it with screw driver



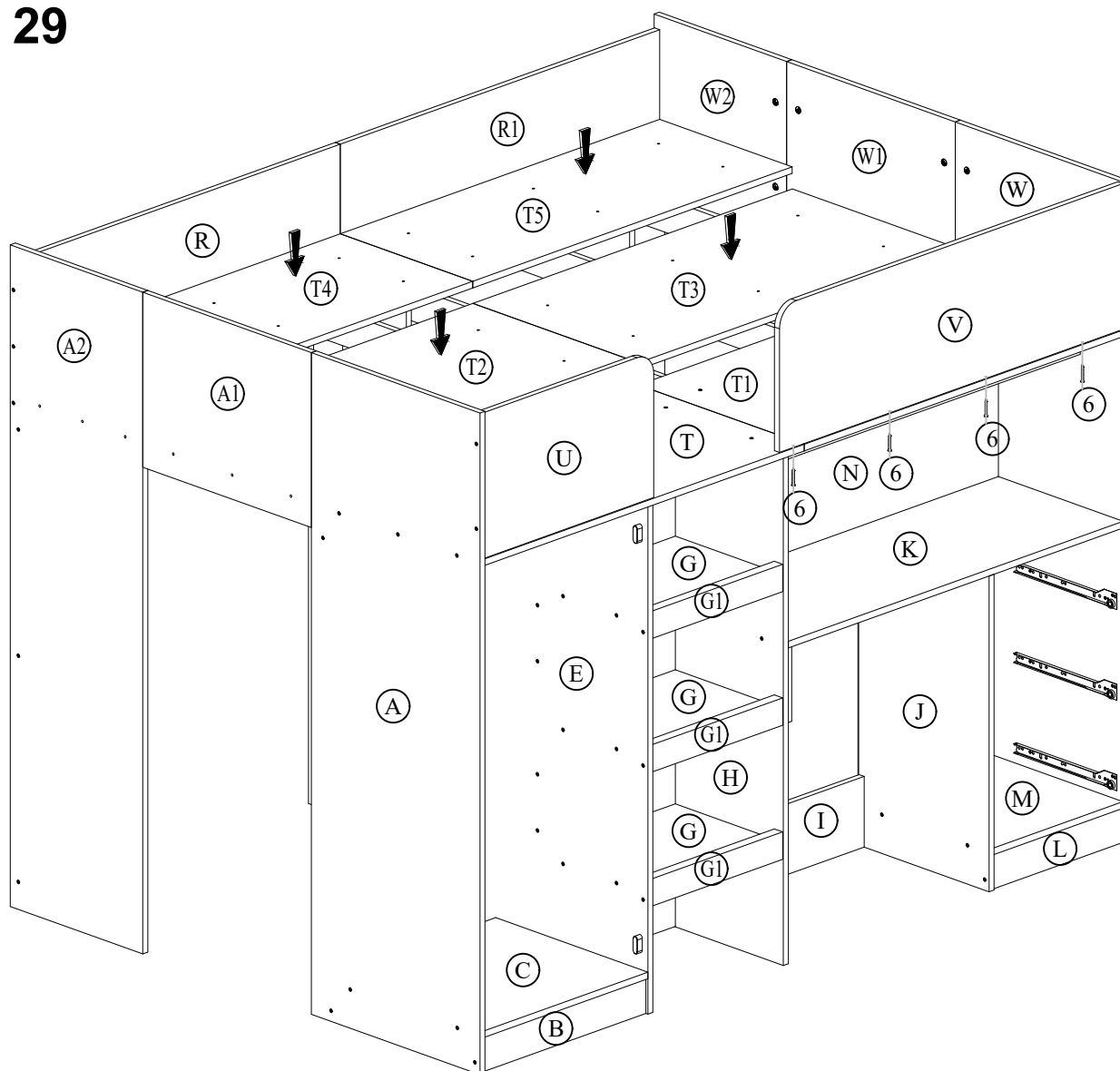
Assembly Instruction

Step 28

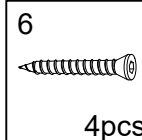


- Connect Panel (T2) and (T3); Panel (T4) and (T5).
- Check Intersect part of Panel (T2) and (T3); Panel (T4) and (T5).
Then lock the Minifix Nut with screw driver.

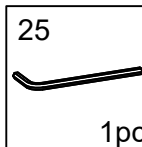
Step 29



- Put Panel (T2), (T3) on Panel between (A1) and (W1).
- Put Panel (T4), (T5) on Panel between (A2) and (W2).
- Insert M6x40mm Screw (6) to corresponding hole as shown, using Allen Key (25) to tighten it.



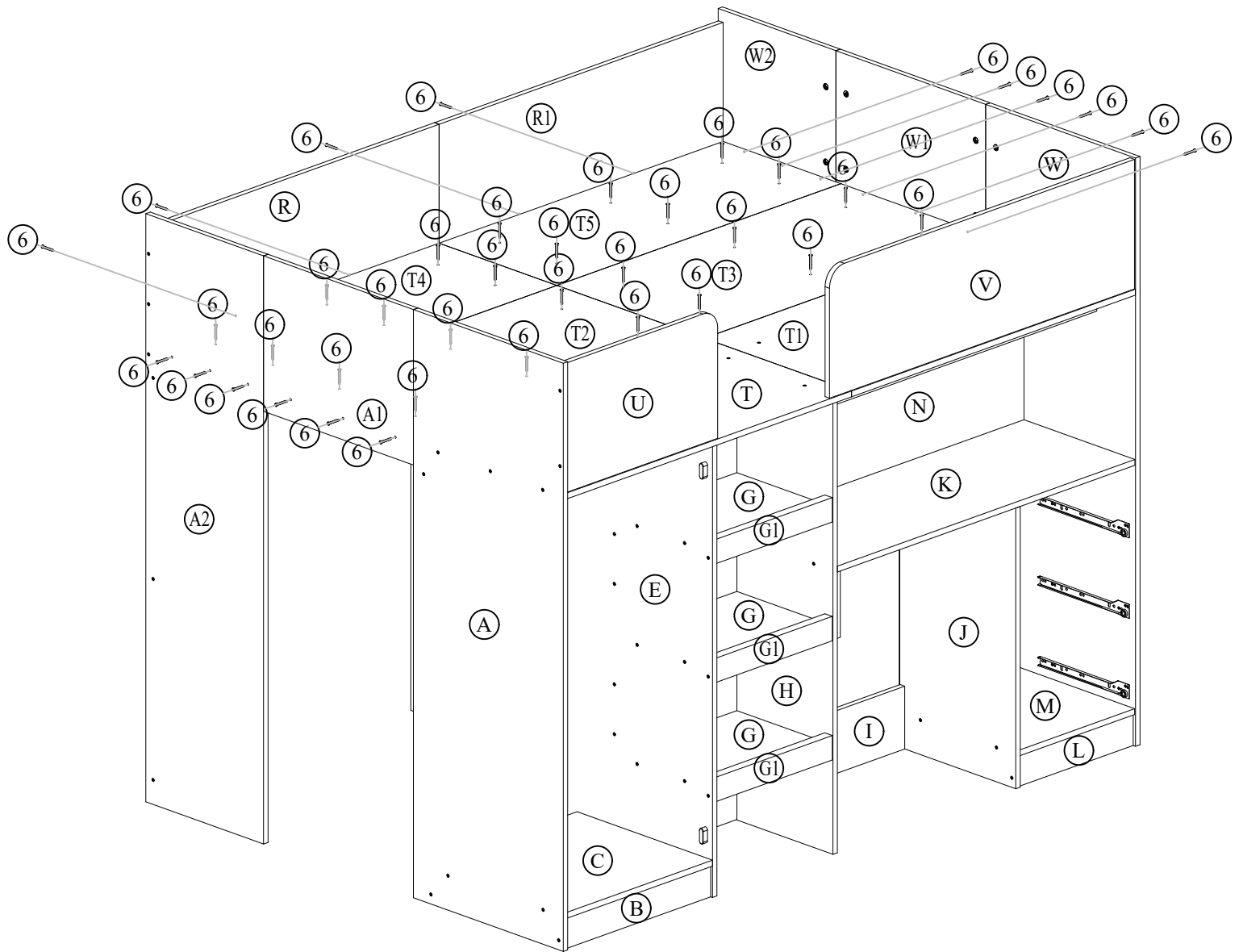
4pcs



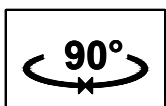
1pc

Assembly Instruction

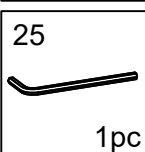
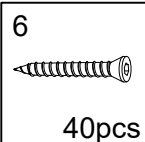
Step 30



- Insert M6x40mm Screw (6) to corresponding hole as shown, using Allen Key (25) to tighten it.

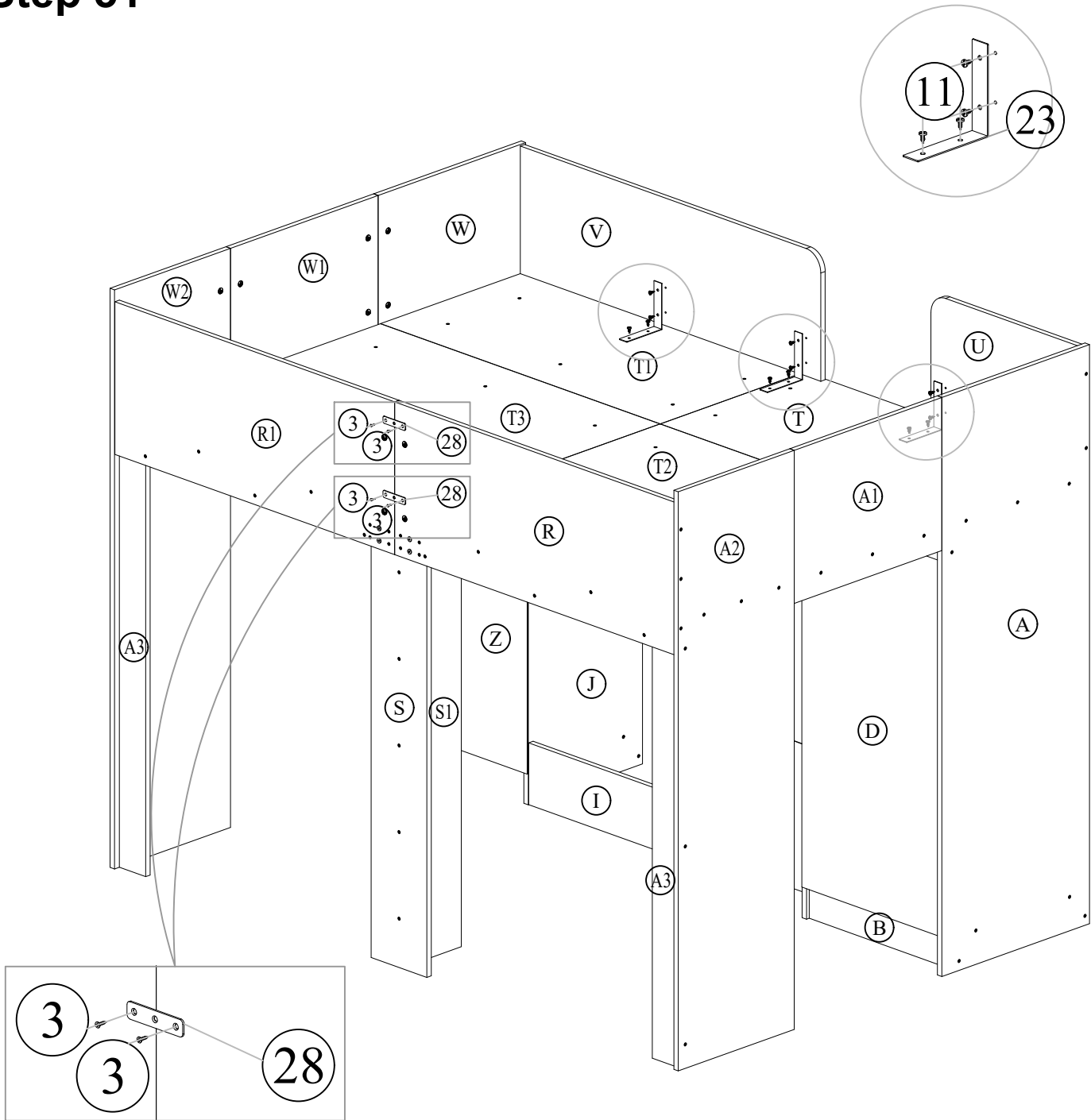


➔ Step 30

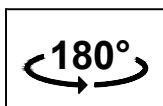


Assembly Instruction

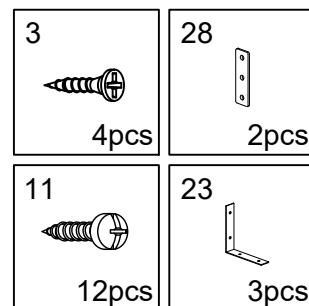
Step 31



- Place L Bracket (23) to where Panel (U) and (V) has a marked hole as shown in diagram.
- Insert TP 10#x1/2" Screw (11) to corresponding hole as shown, using screw driver to tighten it.
- Place Metal Bracket (28) between Panel (R) and (R1).
- Then use the M3.5x14mm screws (3) to attach them as indicated in the diagram.

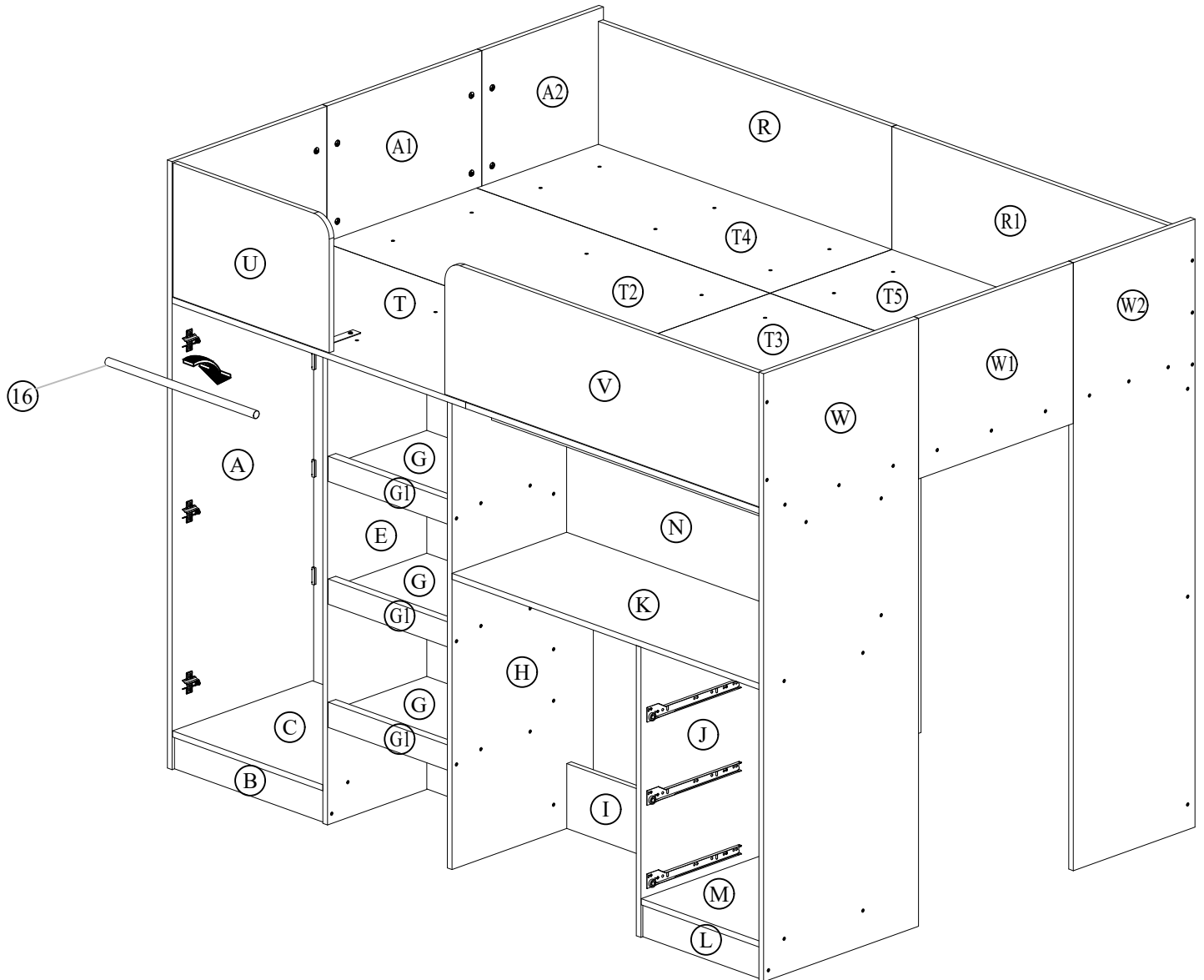


➔ Step 31

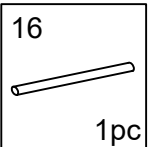


Assembly Instruction

Step 32

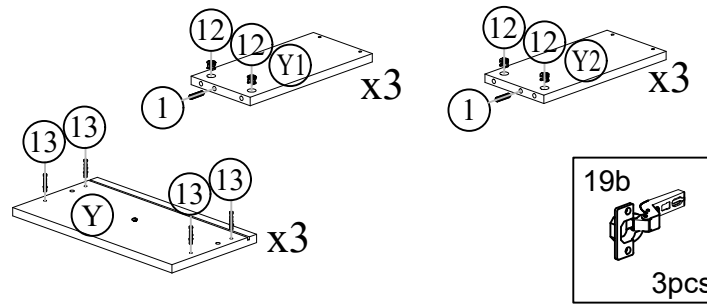
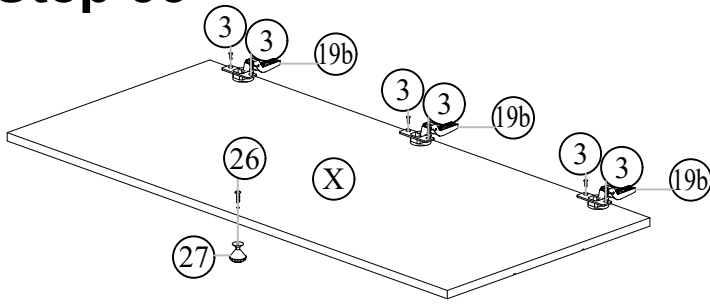


- Put the cylinder pipe ①⑥ on V-bracket between Panel ① and ①.

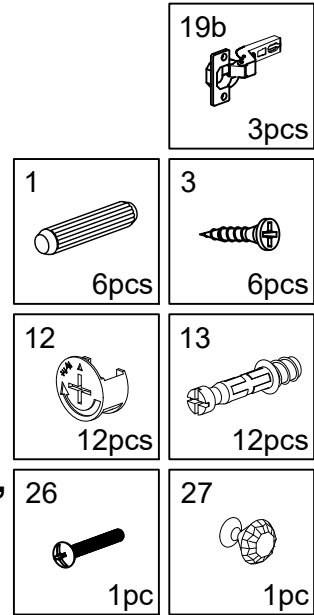


Assembly Instruction

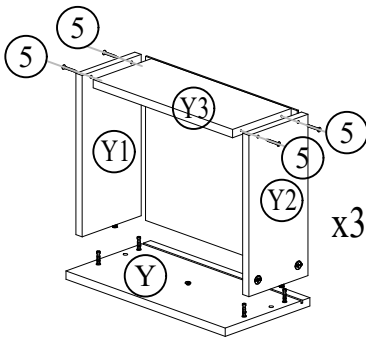
Step 33



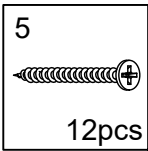
- Install the 8x30mm wood dowel (1) into Panel (Y1), (Y2) as shown in the diagram.
- Insert Minifix Nut (12) into Panel (Y1), (Y2).
- Insert Minifix Bolt (13) into Panel (Y).
- Place Hinges (19b) into Panel (X) as shown in diagram, then use M3.5x14mm Screw (3) to tighten it.
- Insert Handle Screw (26) into the hole as displayed on Panel (X), then connect it to Diamond Handle (27). Use a screw driver to driven it clockwise to make it tight.



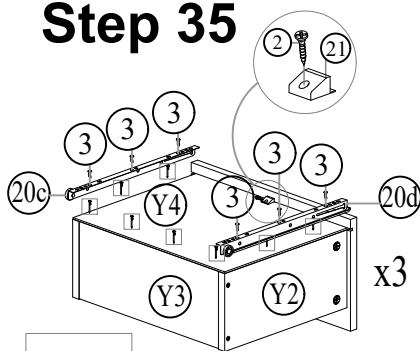
Step 34



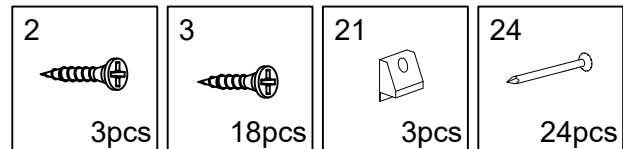
- Attach Panel (Y1), (Y2) to (Y3) using Screw M4x32mm (5).
- Then connect them to Panel (Y).



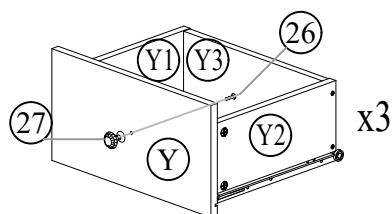
Step 35



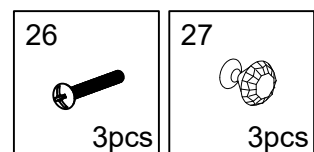
- Put Panel (Y4) on bottom of Drawer.
- Hammered Nail (24) on position as displayed.
- Insert backply stopper (21) at Drawer Front (Y).
- Using screw M3.1x16mm (2) to tighten (21).
- Place Drawer Slide (20c), (20d) at Panel (Y1) and (Y2).
- Use M3.5x14mm screw (3) and driven into corresponding hole as shown in diagram.



Step 36

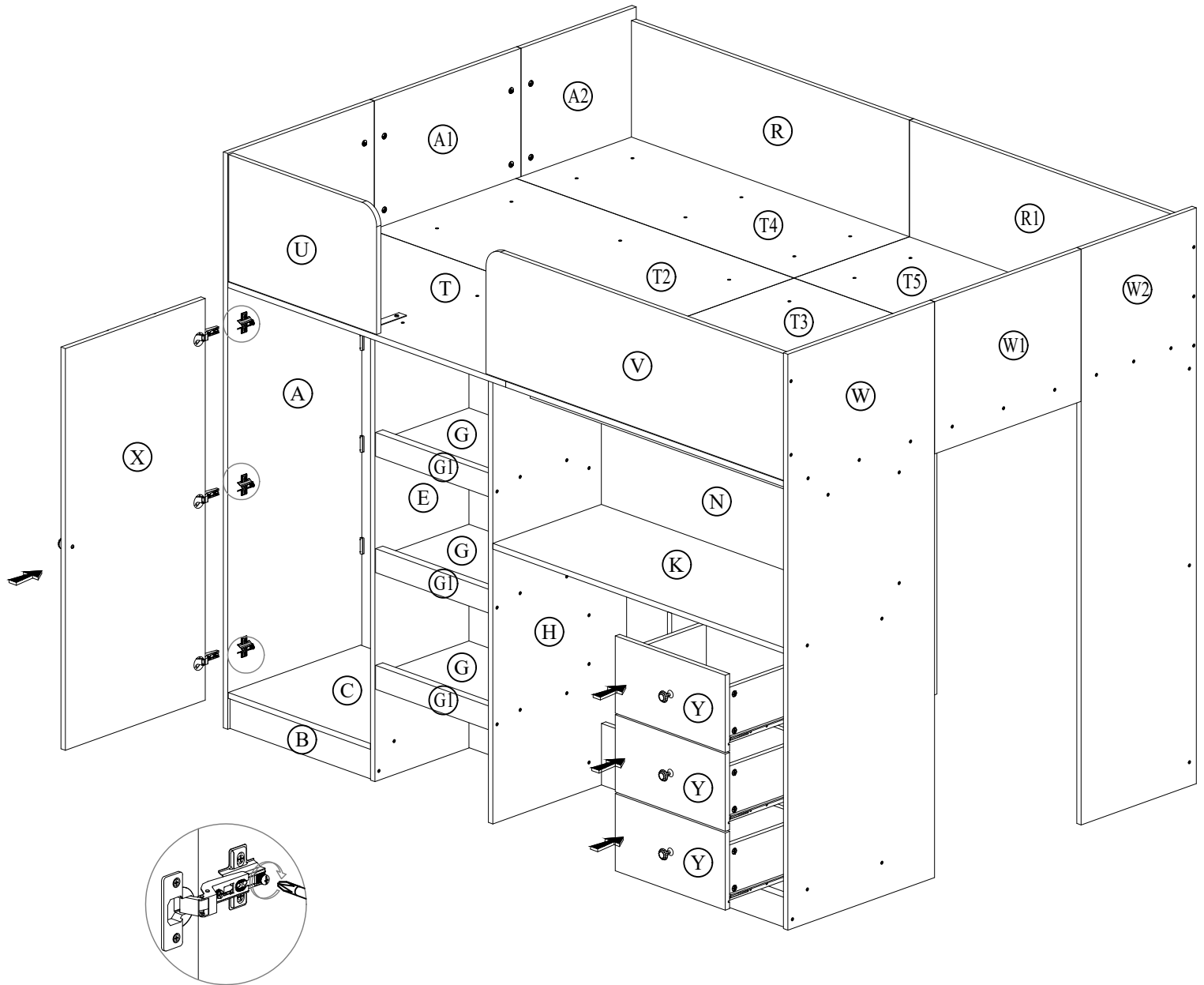


- Insert Handle Screw (26) into the hole as displayed on Panel (Y) then connect it to Diamond Handle (27). Use a screw driver to driven it clockwise to make it tight.



Assembly Instruction

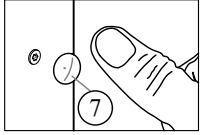
Step 37



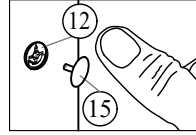
- Attach Panel (X) to Panel (A), where Hinges attach to Hinges Plate.
- Use Screw driver to tighten the Hinges as shown in diagram.
- Put the 3 drawers (Y) into and attached to the drawer slide.

Assembly Instruction

Step 38



* Cover all the screw (6) 's head with the pvc cap provided by pushing the cover's stem onto the hole of screw head.



* Cover all the mini fix (nuts) (12) 's head with the pvc cap provided by pushing the cover's stem onto the hole mini fix (nuts).

Complete

