

## Pre-Installation

### PLANNING THE INSTALLATION

Read all instructions before assembly and installation. Before starting installation of the fixture or removal of a previous fixture, disconnect the power by turning off the circuit breaker or by removing the fuse at the fuse box. To avoid damaging this product, assemble it on a soft, non-abrasive surface such as carpet or cardboard.

### TOOLS REQUIRED:



Gloves



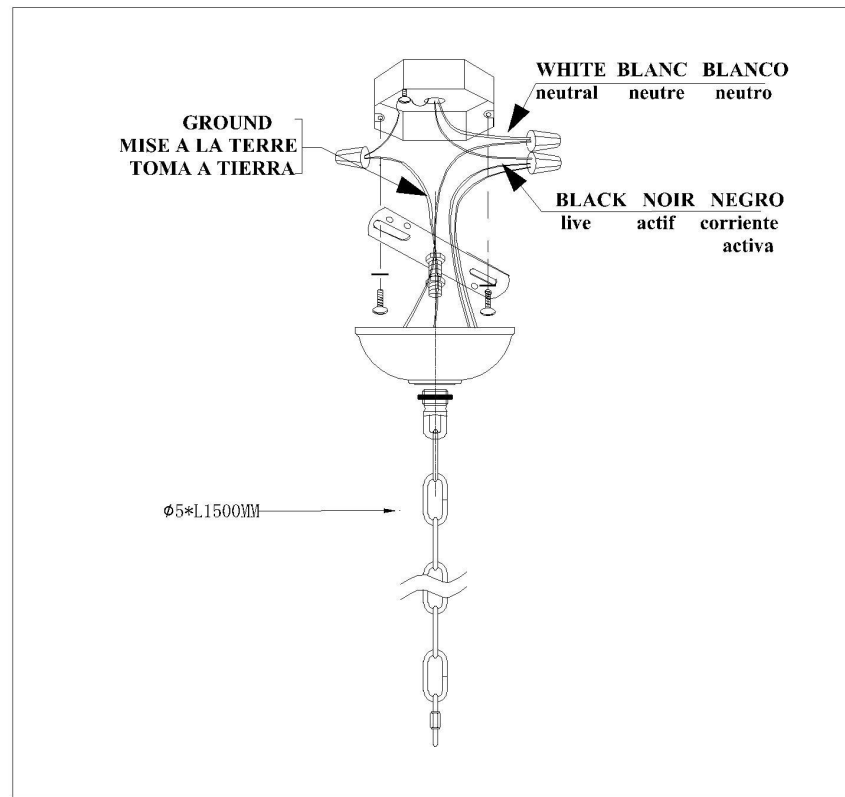
Spanner



Test pencil

## Installation

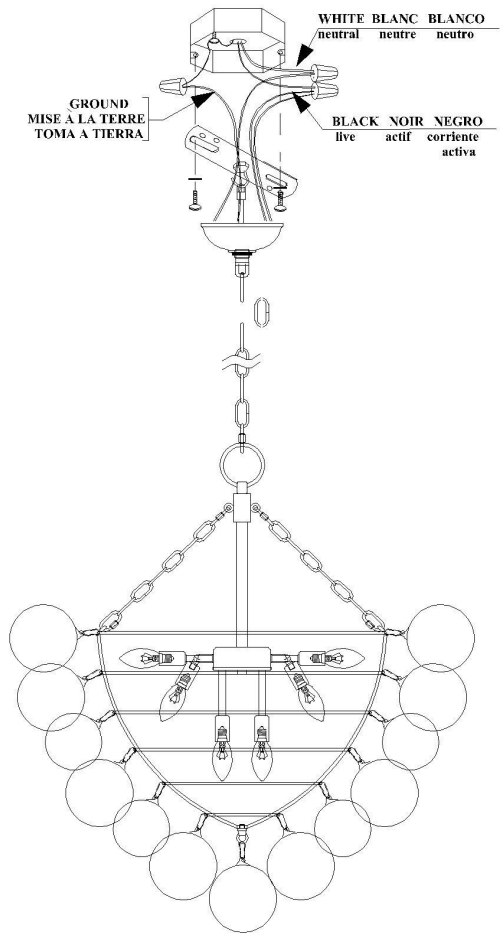
### Step 1



## Installation (continued)

### Step 2

8613-18G



Note: The large and small glass bubble balls are not hung on the lamp stand in order.

### Operation

- Turn on power at the circuit breaker or fuse box.
- Turn the light switch on to activate the fixture.