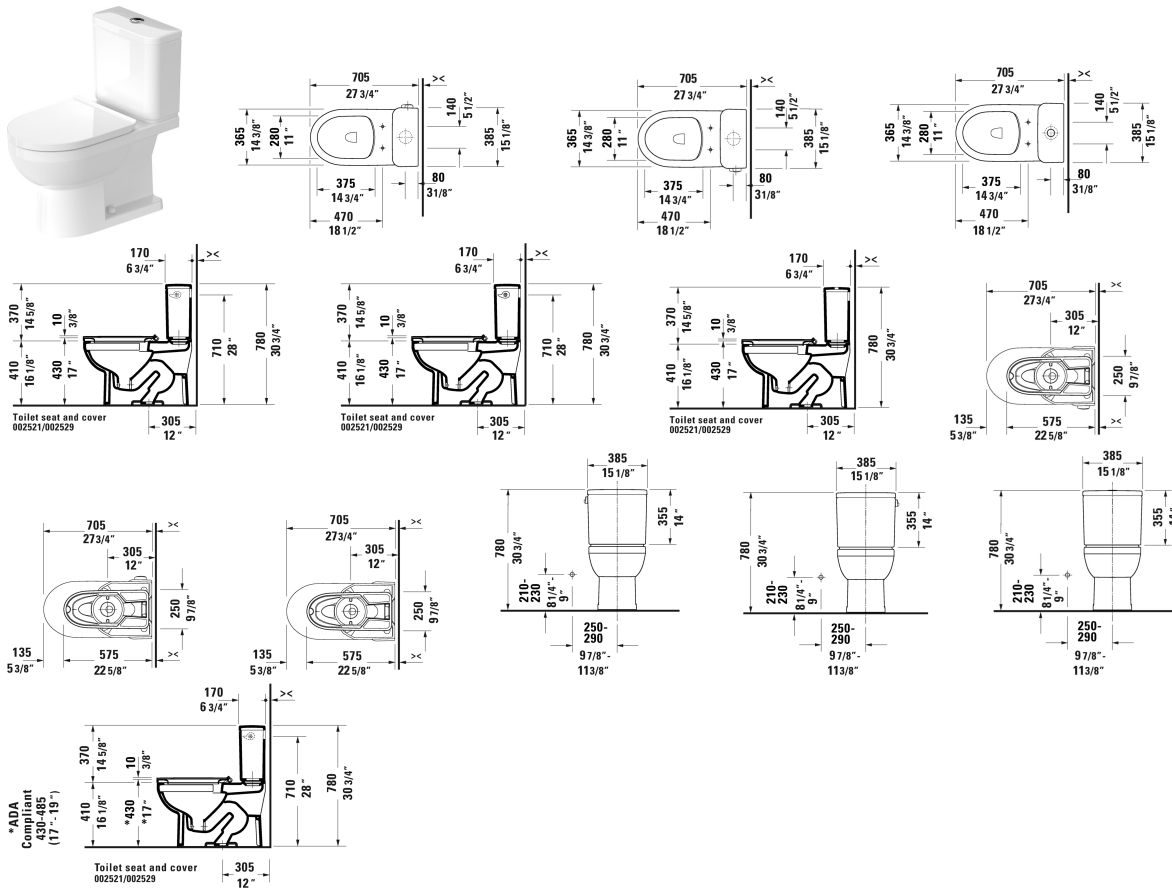


Duravit No.1 Two-Piece toilet Duravit Rimless® # 218801..00 / 218801..00 / 218801..85

< 14 3/8" Inch >



Two-Piece toilet Duravit Rimless®	Dimension	Weight	Order number
(without tank), WaterSense® listed, syphonic, 12" rough-in, vertical outlet, cUPC® listed*			
Colors			
00 White 20 HygieneGlaze (an antibacterial ceramic glaze that provides almost indefinite effectiveness)			
Variant			
◆ 1.32/0.92 gpf, ADA height	14 3/8" x 27 3/4" Inch	72.8 lb	218801..00
◆ 1.32/0.92 gpf, ADA height	14 3/8" x 27 3/4" Inch	72.8 lb	218801..00
◆ 1.28 gpf, ADA height	14 3/8" x 27 3/4" Inch	72.8 lb	218801..85

Infobox

* Complies with following standards: ASME A112.19.2/CSA B45.1 and ASME A112.19.14

Duravit No.1 Two-Piece toilet Duravit Rimless® # 218801..00 / 218801..00 / 218801..85

|< 14 3/8" Inch >|

Mounting set for One-Piece and Two-Piece toilets, outlet 3/8" - male thread, wall connection 1/2" - female thread, 1/2", North American version	17 3/4" Inch	1.1 lb	001417
Suitable products			
Toilet seat and cover removable, elongated, hinges stainless steel, without slow close,			002521
Tank with dual flush piston valve, top flush, for bottom left supply, 1.32/0.92 gpf, WaterSense® listed, 15 1/8" x 6 3/4" Inch	15 1/8" x 6 3/4" Inch		094160
Tank for bottom left supply, 1.28 gpf, WaterSense® listed, 15 1/8" x 6 3/4" Inch	15 1/8" x 6 3/4" Inch		094150
Toilet seat and cover removable, elongated, hinges stainless steel, with slow close,			002529

All drawings contain the necessary measurements which are subject to standard tolerances. They are stated in inch & mm and are non-binding. Exact measurements, in particular for customized installation scenarios, can only be taken from the finished ceramic piece.