

COMMERCIAL STANDARD
Product Specifications

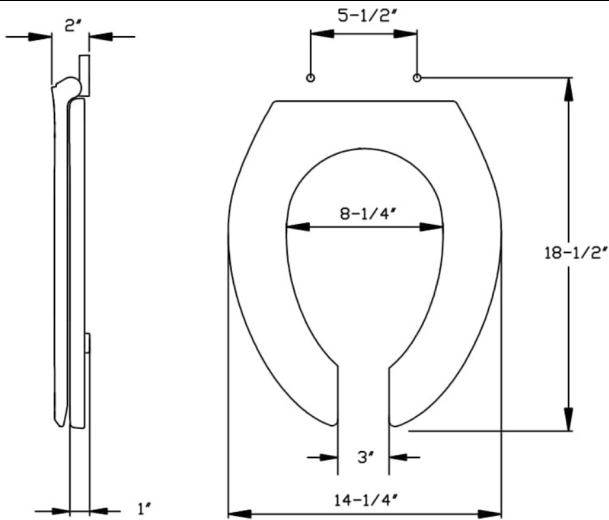
| | |
|--------------------------|-------------------|
| Shape | Elongated |
| Seat Material | Polypropylene |
| Seat Form | Open front |
| Commercial Hinge | No |
| Bolt Material | Zinc plated steel |
| Hardware Material | Plastic |
| Check Hinge | No |
| Cover | Yes |
| Custom Gasket | Yes |
| Color | White |

| | |
|-----------------|-------------------------|
| Warranty | 1 year limited warranty |
|-----------------|-------------------------|

| | |
|-------------------------|--------------|
| Available Colors | White, bone, |
|-------------------------|--------------|

Features
Length Adjustment

Seat can be adjusted during installation for proper fit.



Dimensions shown are nominal and may vary within a range of tolerance. Product specifications are subject to change without notice.