

# DELTA

## BAR & PREP SINK FAUCETS

- Two Handle
- Deck Mount
- 2 Hole Sink Applications
- 4" Centerset

Submitted Model No.: \_\_\_\_\_

Specific Features: \_\_\_\_\_



**LISTED**  
UL Listed to US and Canadian  
Safety Standards and Classified □  
in accordance with □  
ANSI/NSF 61 □  
21PL

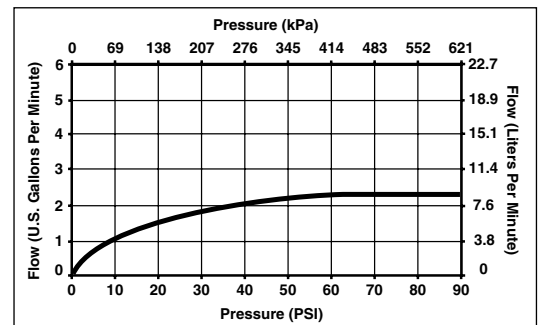
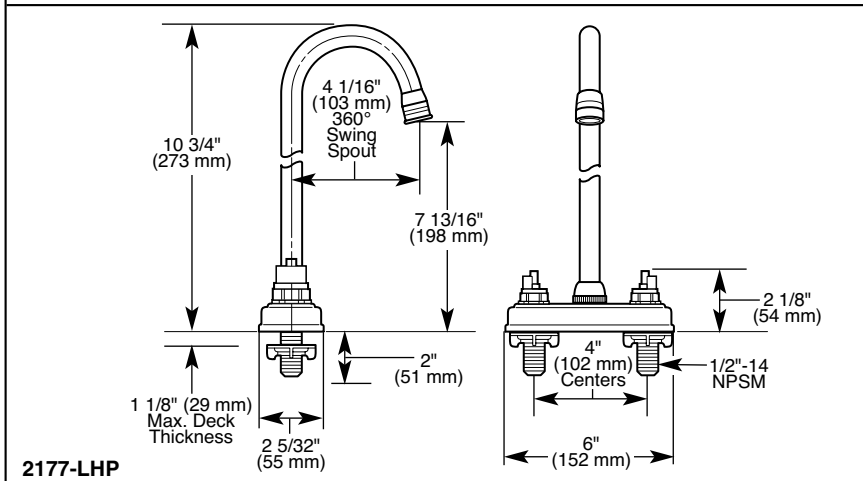
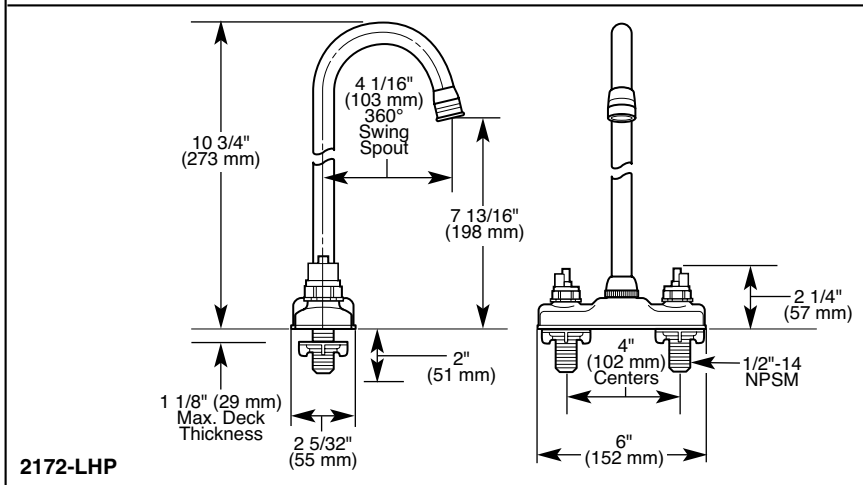
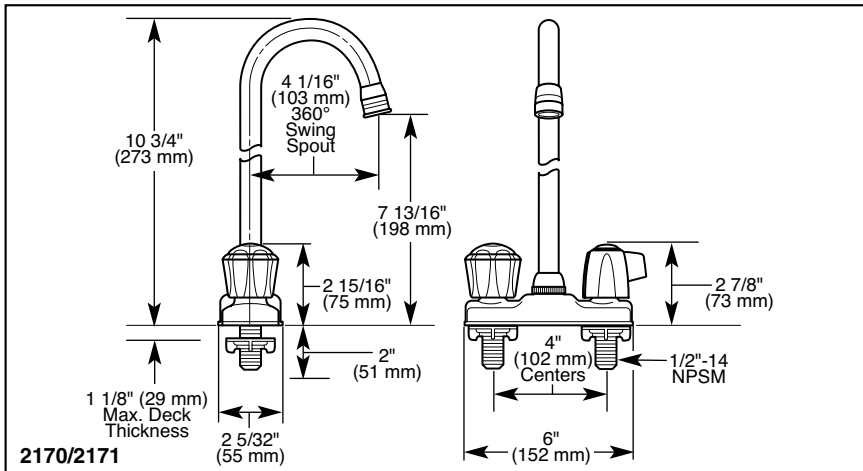


### COMPLIES WITH:

- ASME A112.18.1
- CSA B125
- Indicates ADA compliance to CABO/ANSI A117.1
- IAPMO Listed
- CSA Certified

### STANDARD SPECIFICATIONS:


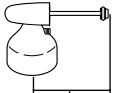
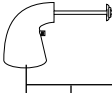

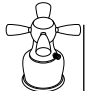
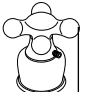

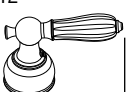
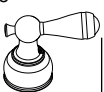
- Two handle deck faucets for exposed mounting on 2 hole sinks.
- Solid brass fabricated body.
- 4" (102 mm) Centerset.
- 4 1/16" (103 mm) long, 10 3/4" (273 mm) high spout swings 360°.
- Hot and cold stems are interchangeable.
- Control mechanism shall be of the rotating cylinder type with stainless steel plate and 180° rotation, with replaceable non-metallic seats operating in stainless steel lined sockets.
- 1/2"-14 NPSM threaded male shanks.







Delta reserves the right (1) to make changes in specifications and materials, and (2) to change or discontinue models, both without notice or obligation. Dimensions are for reference only.

Standard Features	2170	2171	2172-LHP	2177-LHP
Washerless	◆	◆	◆	◆
Two Hole Installation	◆	◆	◆	◆
4" (102 mm) Centerset	◆	◆	◆	◆
4 1/16" (103 mm) Long, 10 3/4" (273 mm) High Spout Swings 360°	◆	◆	◆	◆
Clear Knob Handles with Red/Blue Indicators (H21/H21PB)	◆			
Blade Handles		♿		
Less Handle Program See Handle Kit Options*			◆	◆
1/2"-14 NPSM Threaded Male Inlet Shanks	◆	◆	◆	◆
Chrome Finish	◆	◆	◆	◆

**\*Available LHP Handle Options**

<p>H21</p>  <p>1 1/8" (29 mm)</p>	<p>H22      A22</p>  <p>2 1/2" (64 mm)</p>	<p>H24      A24</p>  <p>3 1/4" (83 mm)</p>	<p>H25</p>  <p>2 5/16" (59 mm)</p>	<p>H26</p>  <p>1 1/4" (32 mm)</p>
<p>H27</p>  <p>1 1/4" (32 mm)</p>	<p>H28</p>  <p>1 7/16" (37 mm)</p>	<p>H212</p>  <p>3" (76 mm)</p>	<p>H215</p>  <p>2 5/16" (59 mm)</p>	

**\*Available LHP Handle Accent Options**

 A22CL	 A24CL
 A22, A22PB, A22WH	 A24, A24PB, A24WH



Indianapolis, Indiana 46280  
A Division of Masco Corporation of Indiana  
© 2002 Masco Corporation of Indiana