



# Valton™

## 32-3/16" undermount double-bowl kitchen sink

### 36599

#### Features

- 36" (914 mm) minimum base cabinet width
- Offset, double-bowl sink
- Large/small bowls with high/low design
- 9-1/16" (230 mm) depth left bowl and 6-1/16" (154 mm) depth right bowl
- 32-3/16" L x 18-3/8" W (818 mm L x 467 mm W)
- SilentShield® sound-absorption technology offers quieter performance
- 3-7/8" (98 mm) drain opening
- No faucet holes; requires wall- or counter-mount faucet
- Sink rack, serving tray, and sink drains with strainers sold separately

#### Material

- Premium 18-gauge stainless steel

#### Installation

- Undermount
- Installation hardware and template included

#### Recommended Products/Accessories

- 36602 Sink rack
- 36604 Serving Tray
- 7400 Stainless Steel Sink Drain and Strainer
- K-23726 Drain treatment
- K-23729 Stainless steel cleaner

#### Included Components

- 91915 Hardware Kit

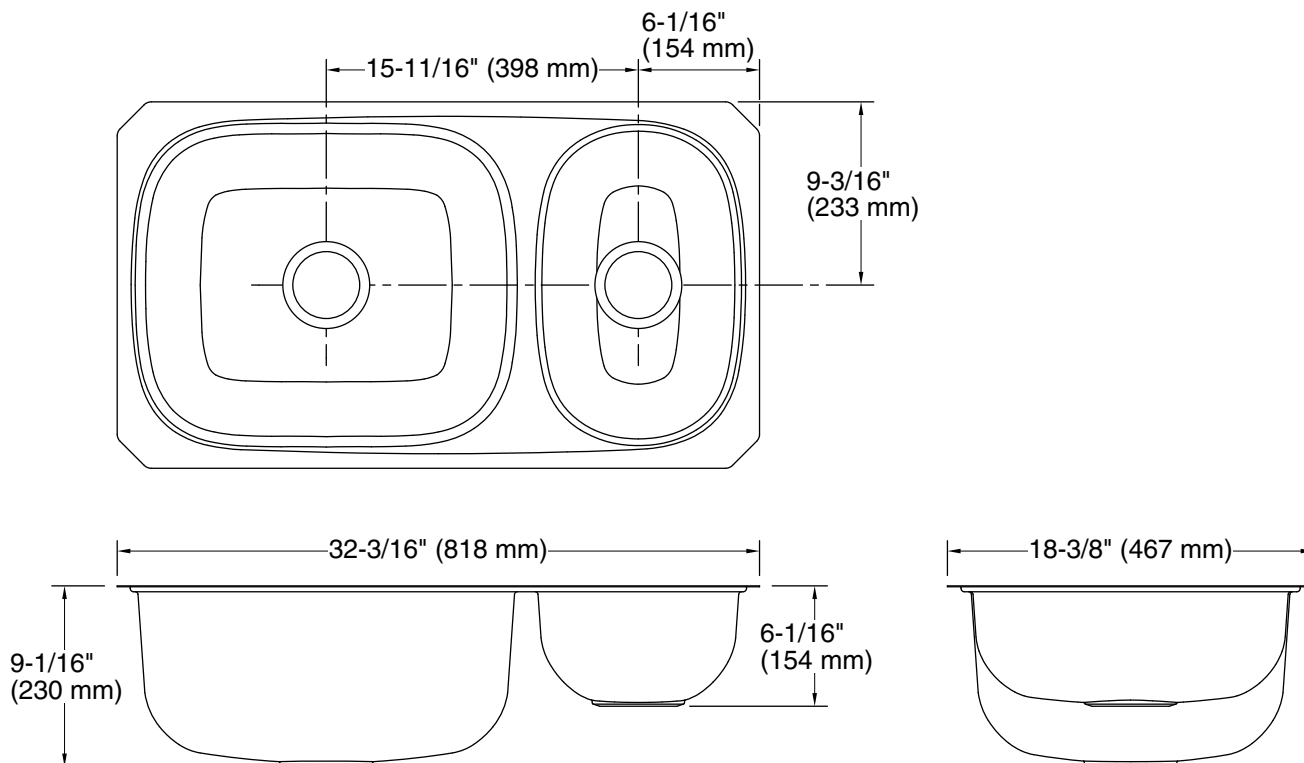


#### Codes/Standards

ASME A112.19.3/CSA B45.4

#### STERLING® One-Year Limited Warranty

See website for detailed warranty information.



### Technical Information

All product dimensions are nominal.

Basin configuration: Large Bowl on Left

Min. base cabinet width: 36" (914 mm)

Bowl area (Basin #1): Length: 18-13/16" (478 mm)  
Width: 15-7/8" (403 mm)  
Water depth: 8-7/8" (226 mm)

Bowl area (Basin #2): Length: 10" (254 mm)  
Width: 15-11/16" (399 mm)  
Water depth: 5-13/16" (147 mm)

Drain hole: 3-7/8" (98 mm)

Template: Undermount, 1619034-7, required, included

### Notes

Install this product according to the installation instructions.

**NOTICE:** Countertop manufacturer or cutter must use the cut-out template provided with the product, or a current one provided by Kohler Co. (call 1-800-4KOHLER). Kohler Co. is not responsible for cutout errors when the incorrect cut-out template is used.