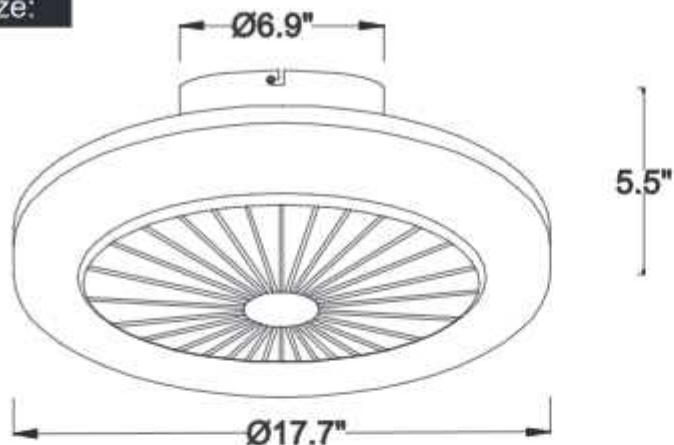


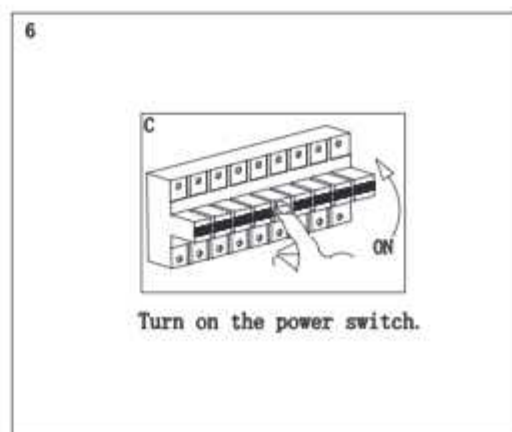
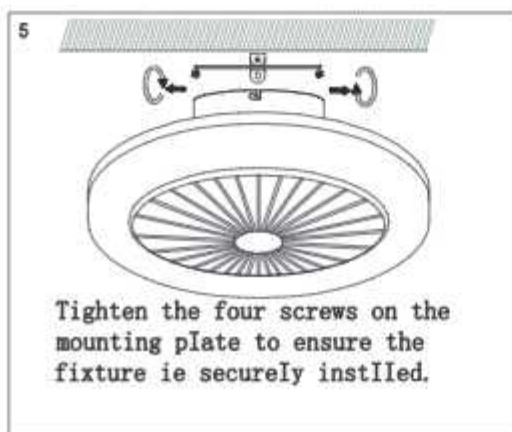
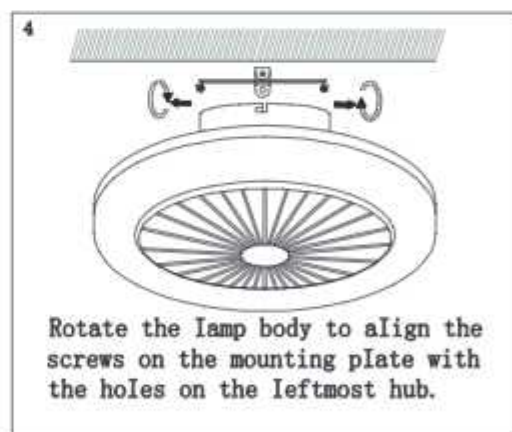
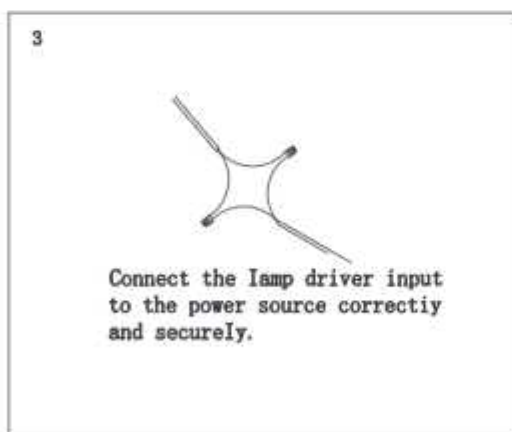
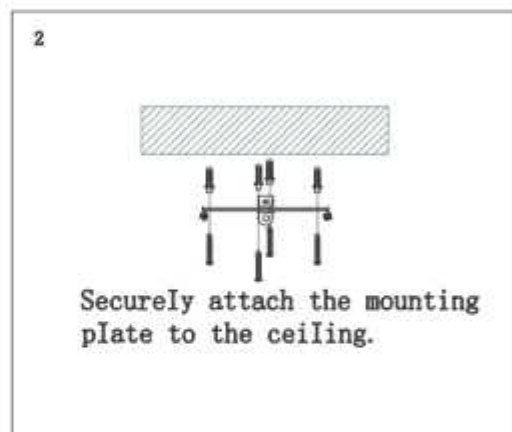
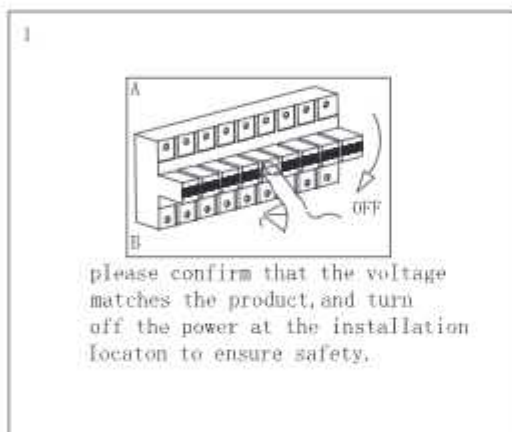
L010009-D450-F1W

—User Manual

Size:



Installation instructions:



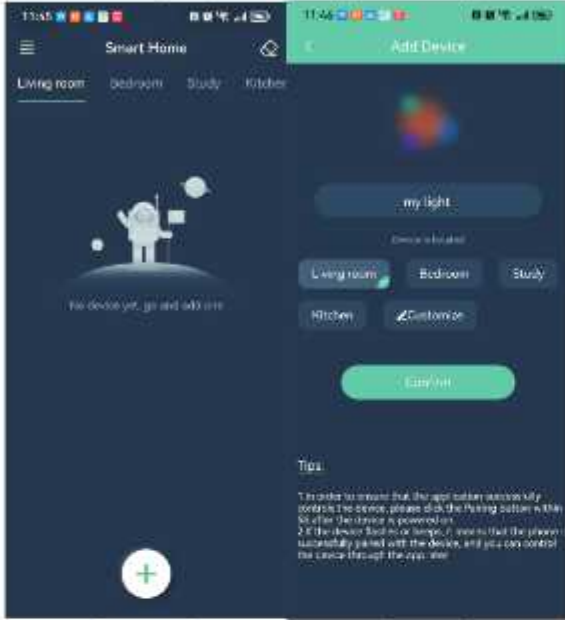
1.FanlampProAppInstructions

1.1.DownloadandinstallApp



1.2.Deviceconfigurationandcontrol

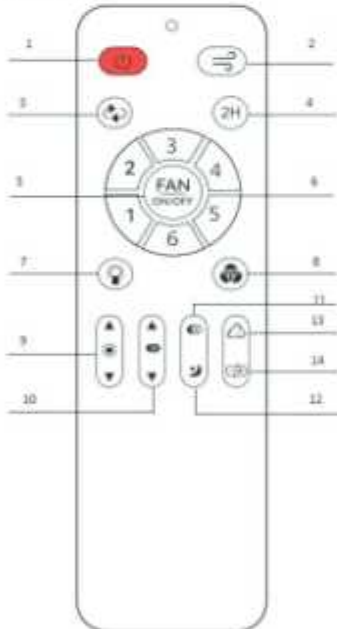
1.OpenyourPhoneBluetooth,thenopenFanlampProappadddevice'mylight'



2.Turn onFanlight,thentap ,theFanlightflashes3timesquickly,thenletgo;



2.RemoteControlInstructions



2.1.Pairc

Connectthedevice tothepowersupplyandconfirmthatthedevicecanworknormally(thelight turns onslowly);

Turnoffthepowerofthedevicefor5secondsandthenturnonthepoweragain;

LongpressButton1untilthedeviceflashes3timesquickly,thenletgo;

Thecodepairingoftheremotecontrolissuccessful.Atthistime,youcanpressthebuttonto controlthedevice.

2.2.Clearcode

Connectthedevice tothepowersupplyandconfirmthatthedevicecanworknormally(thelight turns onslowly);

Turnoffthepowerofthedevicefor5secondsandthenturnonthepoweragain;

LongpressButton2untilthedeviceflashes3timesquickly,thenletgo;

Theremotecontrolissuccessfullycleared.Atthistime,theremotecontrolcannolongercontrol thedeviceandneedstobere-pairedbeforeitcanbeused.

2.3.Control

- Button1:All off,shortpresstoturnoffthemainlight&colorlight&fan;
- Button2:Fanmode,shortpresstoswitchbetweennaturalandcomfortablewind;
- Button3:Fandirection,shortpresstoswitchbetweenforwardandreverse;
- Button4:2hourscountdowntimeroff,fan&whitelight&colorlightalloffatthesametime;
- Button5:Fanswitch,shortpresstoturnon/offthefan;
- Button6:Fanspeed,shortpresstoadjustthespeedof6levels;
- Button7:Whitelightswitch,shortpresstoturnon/offthewhitelight;
- Button8:Colorlightswitch,shortpresstoturnon/offcolorlight;
- Button9:Brightnessadditionandsubtraction,shortpresstoadjustthebrightnessof10levels, andlongpresstoadjustthebrightnesssteplessly;
- Button10: Addition and subtraction of temperature, short press to adjust the 10-level temperature, long press to adjust the temperature steplessly;
- Button11:switchdifferent ColorTemperature:Warm white/White/Coolwhite;
- Button12:Nightlightmode;
- Button13:Colorstaticcycleswitching(red,yellow,green,blue,purple,white);
- Button14:Colordynamiccycleswitching.