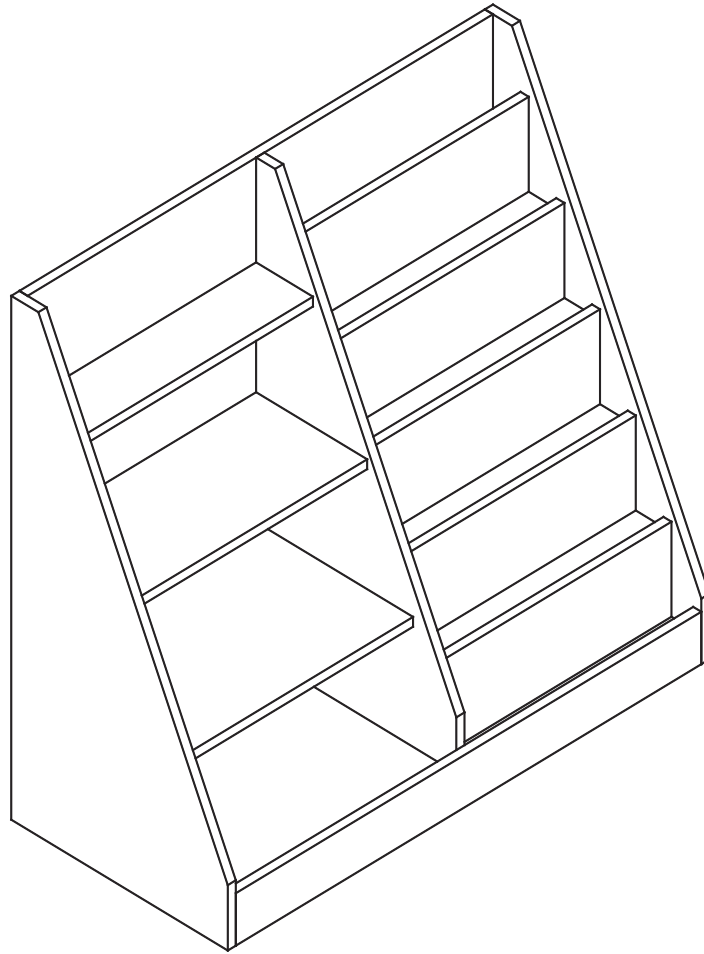


# Kids Bookshelf & Toy Organizer



## General Guidelines

Please read the following instructions carefully before installing and using the product.

Please keep this manual and hand it over when you transfer the product.

This summary may not include every detail of all variations and considered steps. Please contact us when further information and help are needed.

---

## Notes

It is recommended that two people assemble the product. Please follow the assembly steps strictly.

During assembly, align all screws with the corresponding pre-drilled holes first and then tighten the screw one by one.

This product is for indoor use only. Don't place it in humid areas for long time to prevent mildew.

Avoid sharp objects or corrosive chemicals to prevent damage to the product.

---

## Warnings

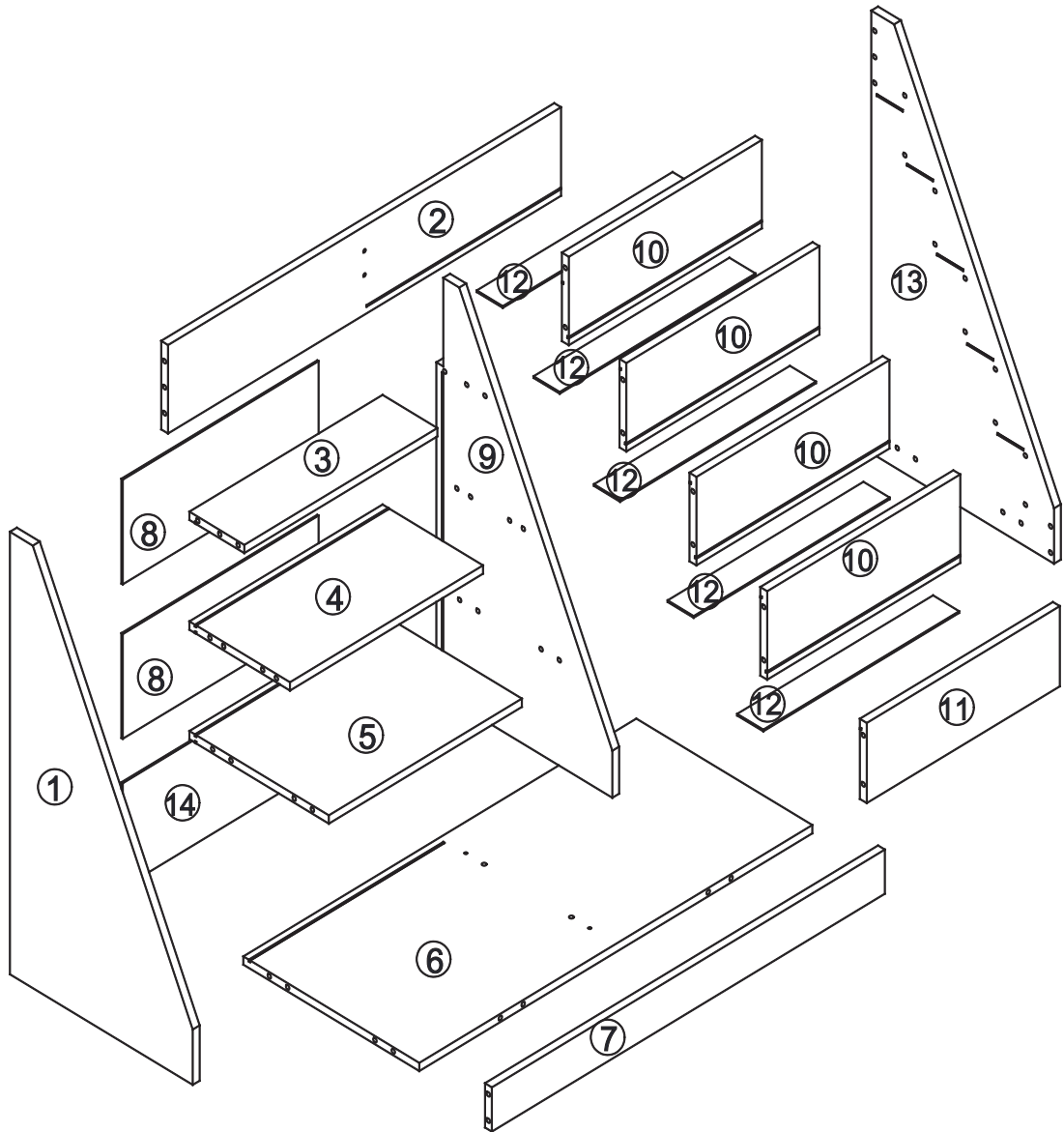
Children are not allowed to assemble the product. During assembly, keep all parts and packaging materials away from children as there could be injury and potential choking hazards.

Children are not allowed to stand, climb or play on the product to avoid serious bodily injury by the toppling.

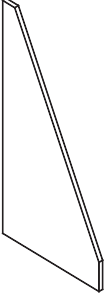
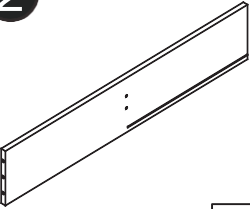
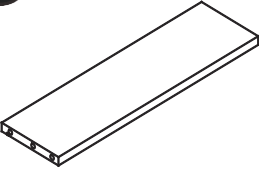
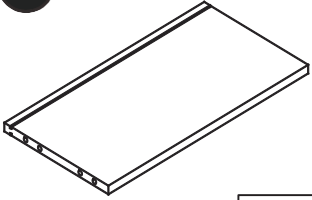
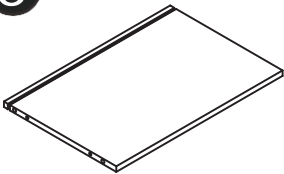
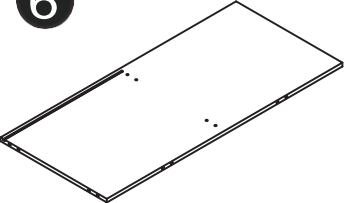
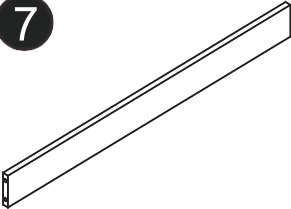
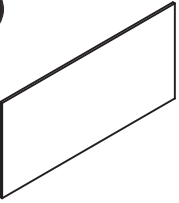
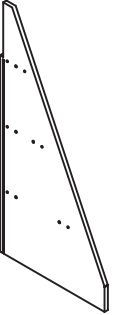
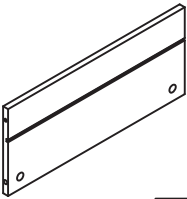
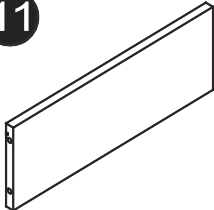

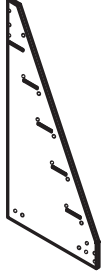
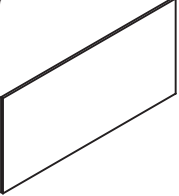
Never use the product if any part is missing or defective. Otherwise, there will be a hazard.

Maximum load capacity per shelf: 5 kg (11 lbs). Do not place overweight items on it.

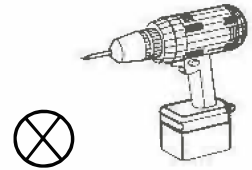
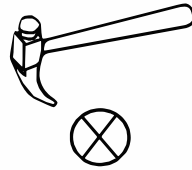
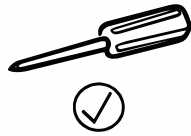
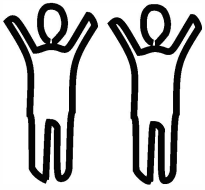
# Parts List



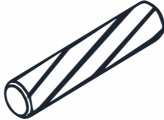




# Hardware List

<b>1</b>  1PC	<b>2</b>  1PC	<b>3</b>  1PC	<b>4</b>  1PC
<b>5</b>  1PC	<b>6</b>  1PC	<b>7</b>  1PC	<b>8</b>  2PCS
<b>9</b>  1PC	<b>10</b>  4PCS	<b>11</b>  1PC	<b>12</b>  5PCS
<b>13</b>  1PC	<b>14</b>  1PC		

# Hardware List



<p>A</p>  <p>32+1PCS</p>	<p>B</p>  <p>32+1PCS</p>	<p>C</p>  <p>M6X30MM</p> <p>35+1PCS</p>	<p>D</p>  <p>3PCS</p>
<p>E</p>  <p>1PC</p>			

# Instructions For Fastening CAM-BOLT and CAM-LOCK



CAM-BOLT

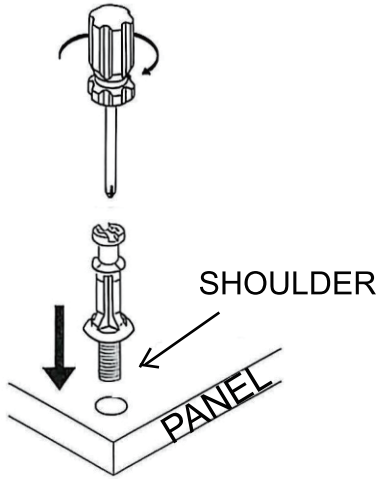


CAM-LOCK

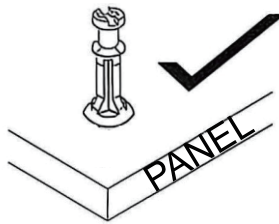
Tools Required



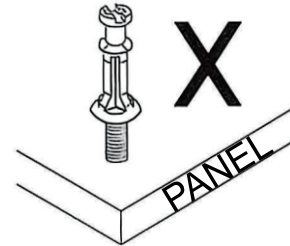
## INSERTING AND TIGHTENING CAM-BOLT



Place Cam-bolt on pre-drilled hole and screw in vertically



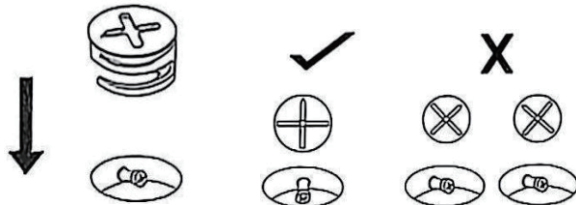
Shoulder is flushed (on the same level) with the panel.



Shoulder is above the panel

Place the cam bolt into the designated pre-drilled hole on the panel. Use a Phillips screwdriver to screw in the cam bolt vertically until the shoulder is flush with the panel surface.

## INSERTING CAM-LOCK



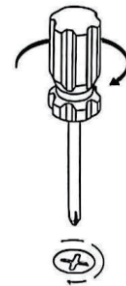
Insert Cam-lock with arrow align to Cam-bolt head

CORRECT

WRONG

Align the arrow on the Cam-lock to the Cam-bolt head and Insert the Cam-lock. Ensure Cam-lock is fully inserted.

## TIGHTENING CAM-LOCK

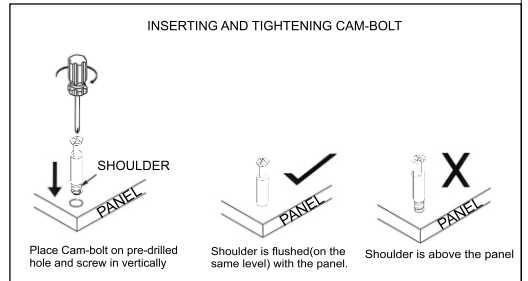
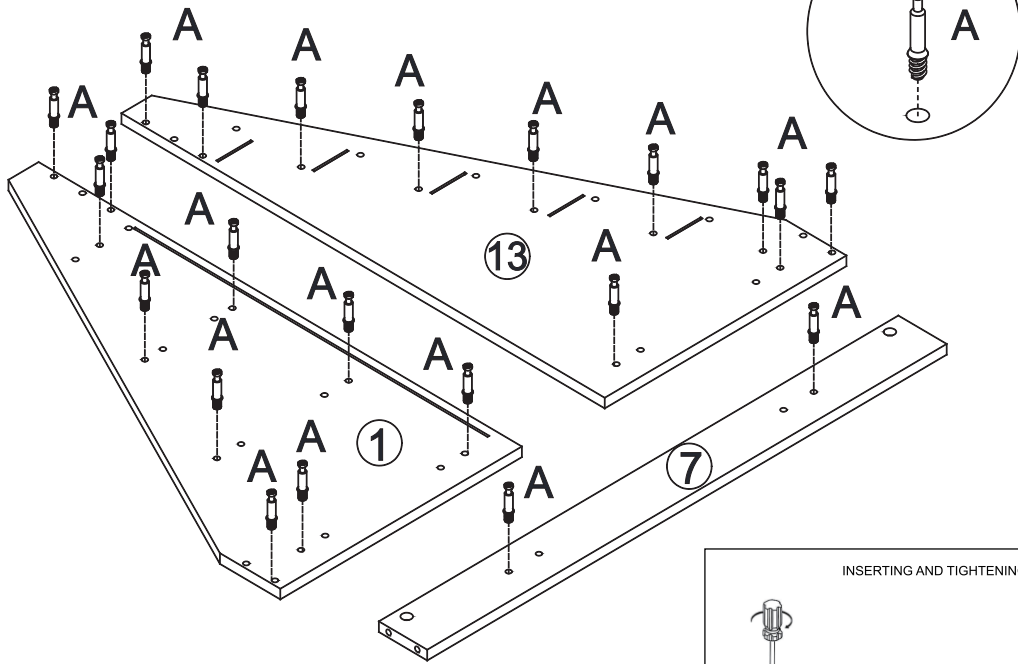


Use a flat-head screwdriver to turn the cam lock clockwise until it locks onto the head of the cam bolt. Turn approximately 3/4 of a turn until snug—do not overtighten, as this may damage the cam lock or cam bolt.



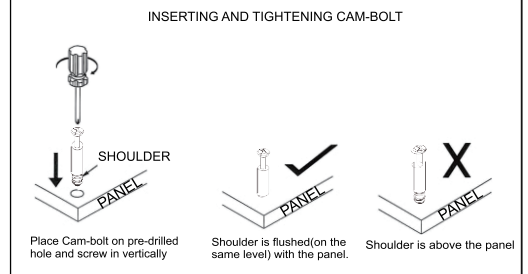
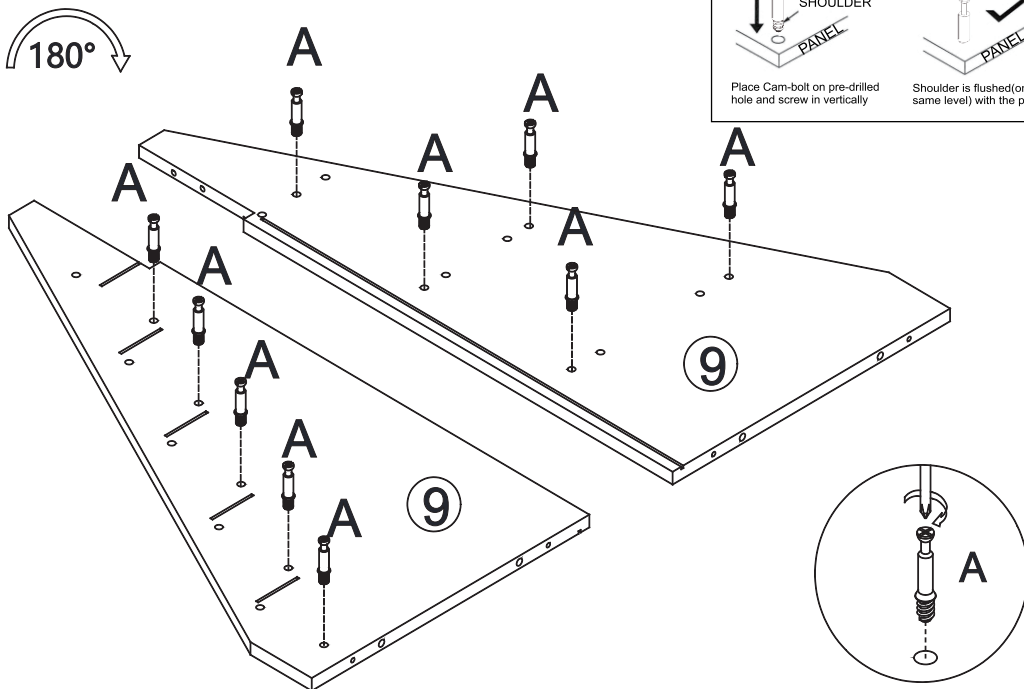
Scan the QR code on the left to watch the installation video for the three-in-one screw.

# Step 1



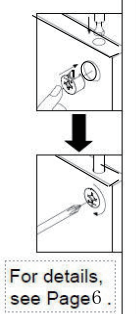
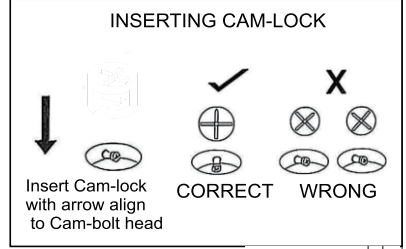
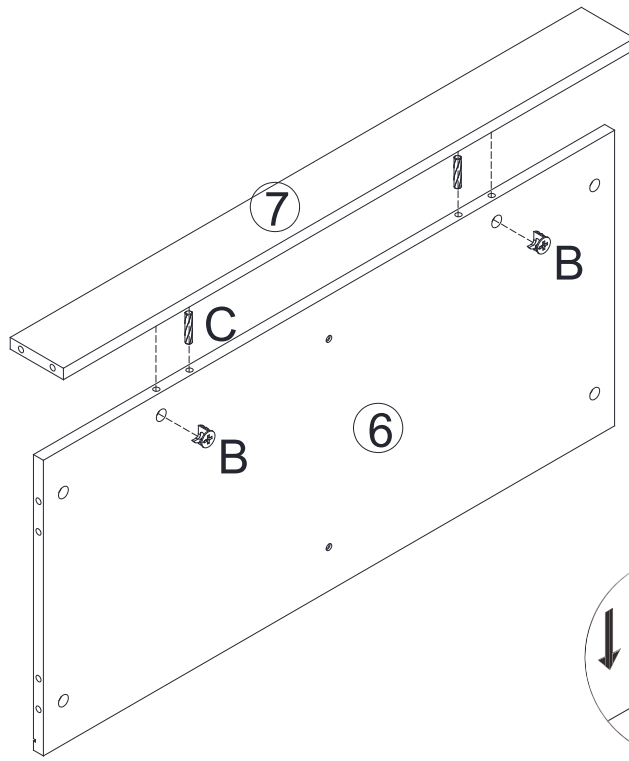
Ax22

# Step 2



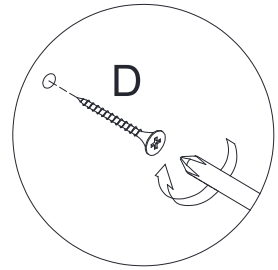
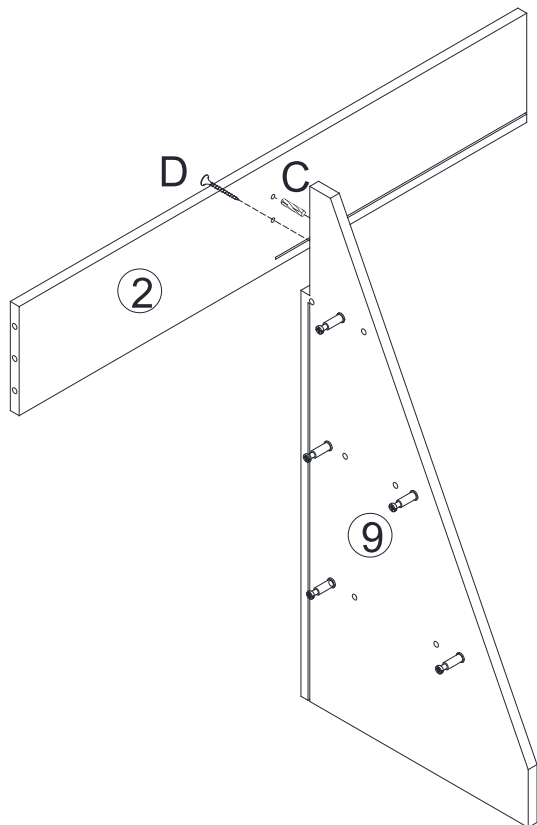
Ax10

# Step 3



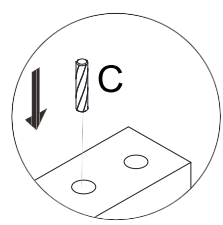
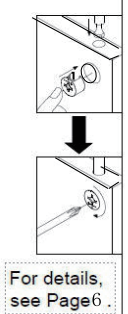
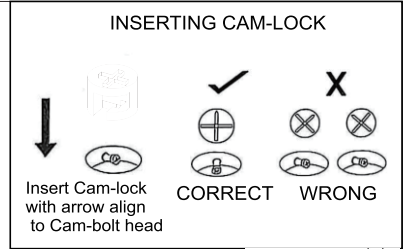
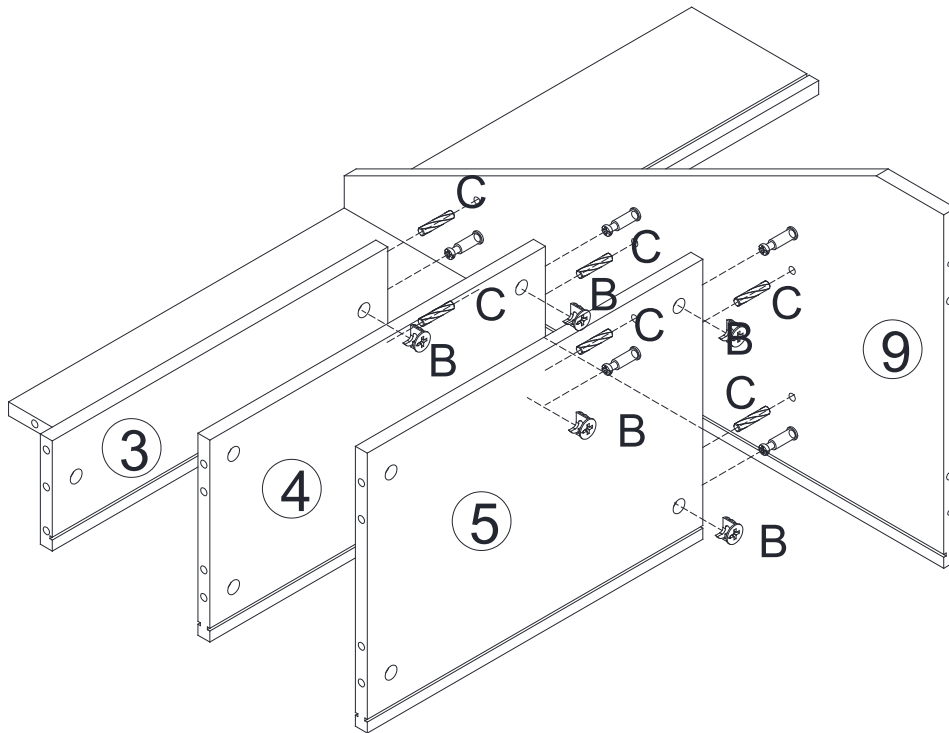
	BX2
	CX2

# Step 5



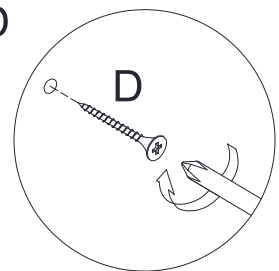
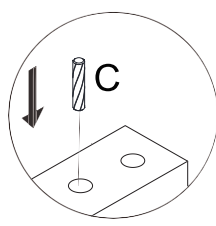
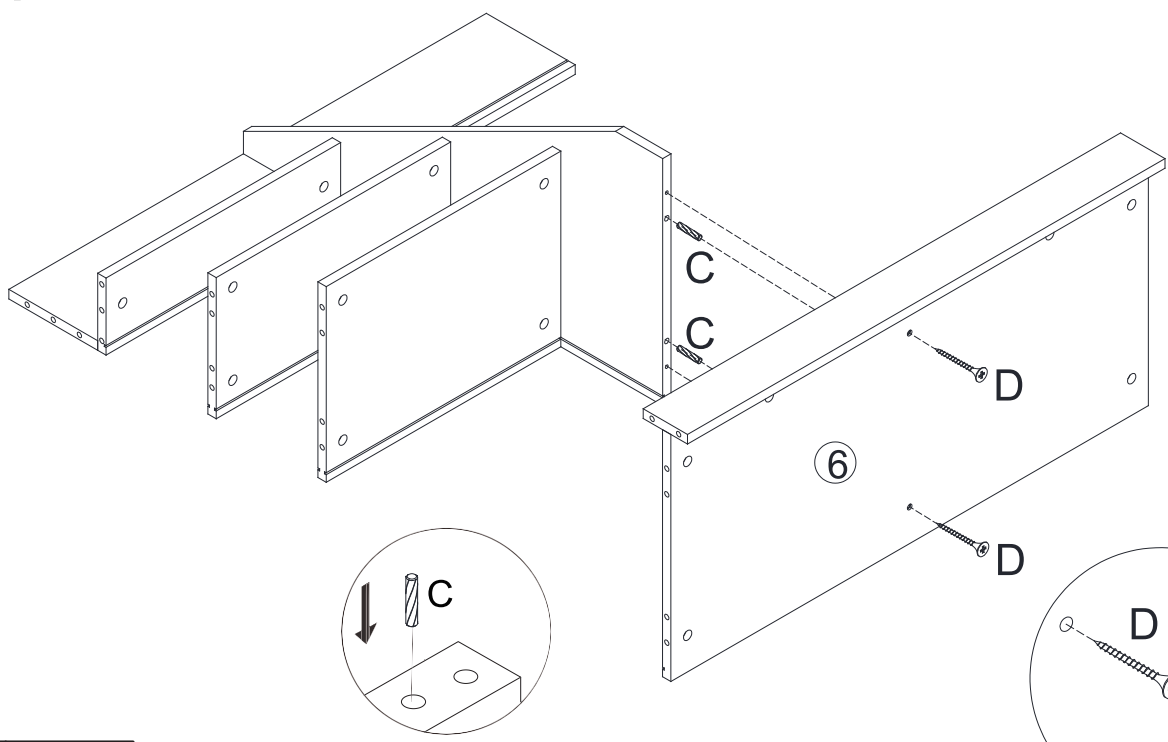
	Cx1
	Dx1

# Step 6



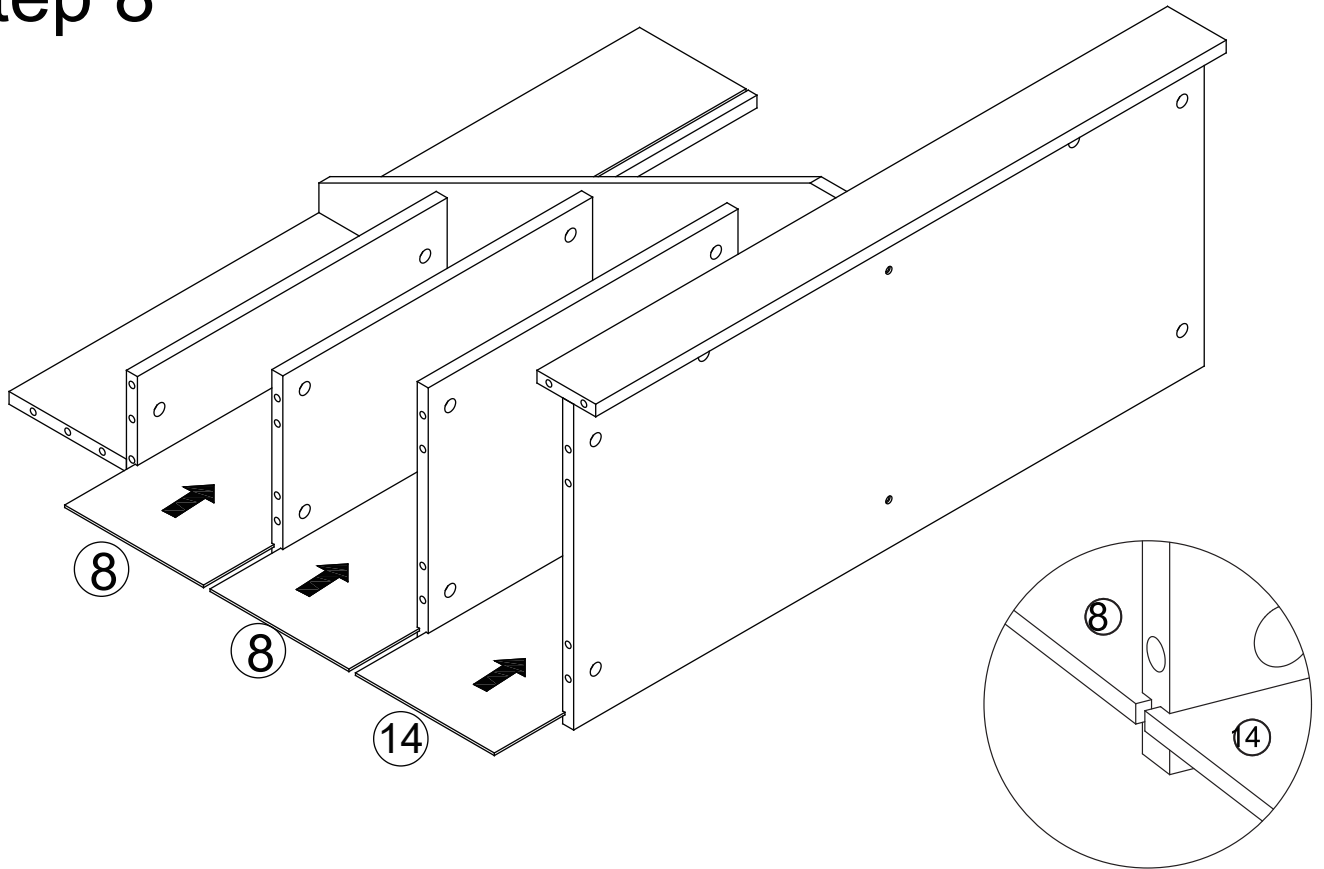
	Bx5
	Cx6

# Step 7

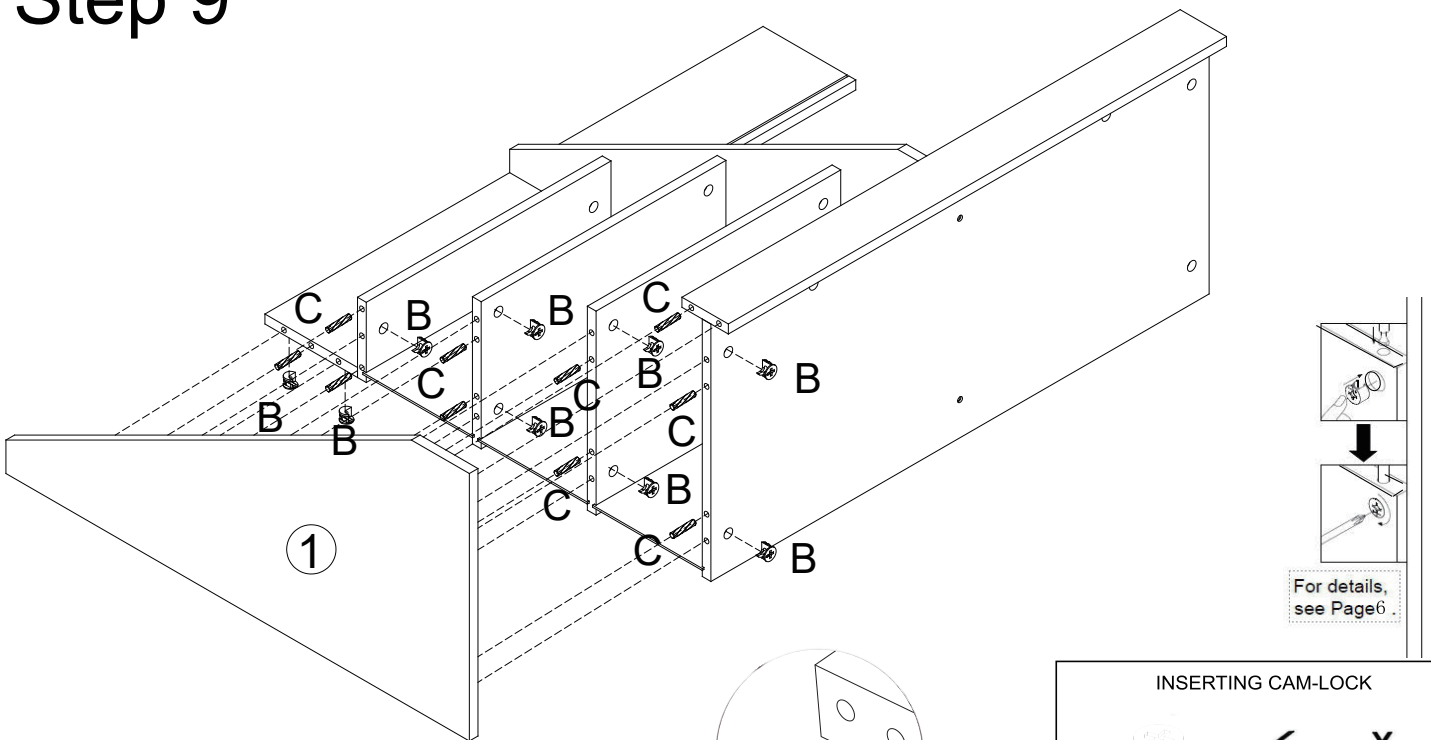


	Cx2
	Dx2

# Step 8



# Step 9



For details, see Page 6.

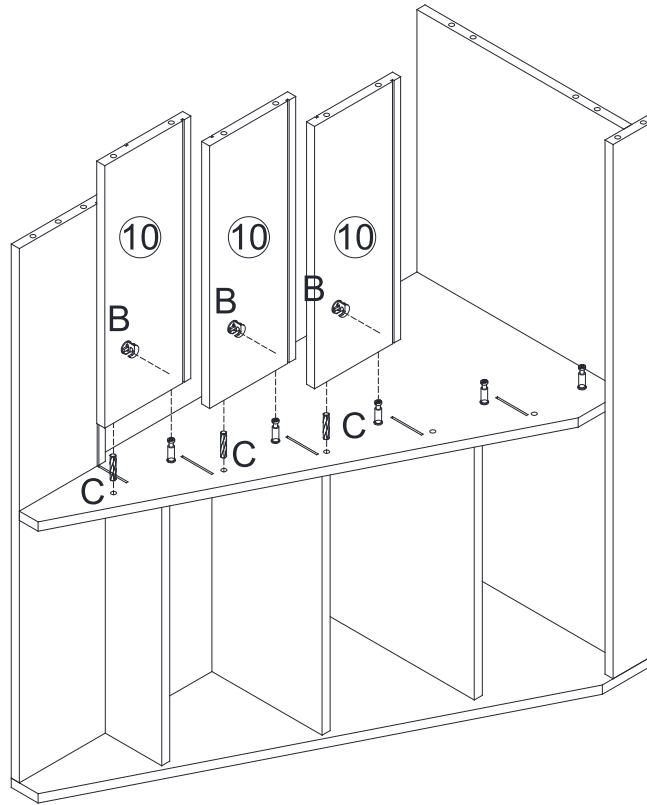
**INSERTING CAM-LOCK**

Insert Cam-lock with arrow align to Cam-bolt head

**CORRECT**      **WRONG**

	Bx10
	Cx10

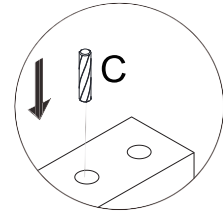
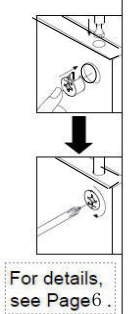
# Step 10



**INSERTING CAM-LOCK**

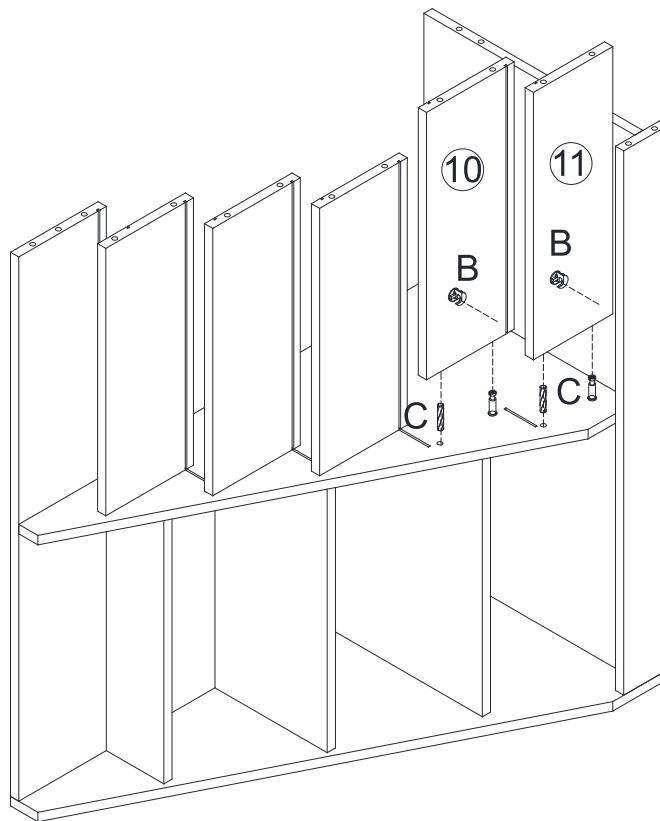
Insert Cam-lock with arrow align to Cam-bolt head

CORRECT    WRONG



	Bx3
	Cx3

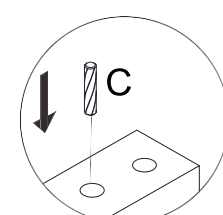
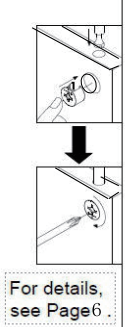
# Step 11



**INSERTING CAM-LOCK**

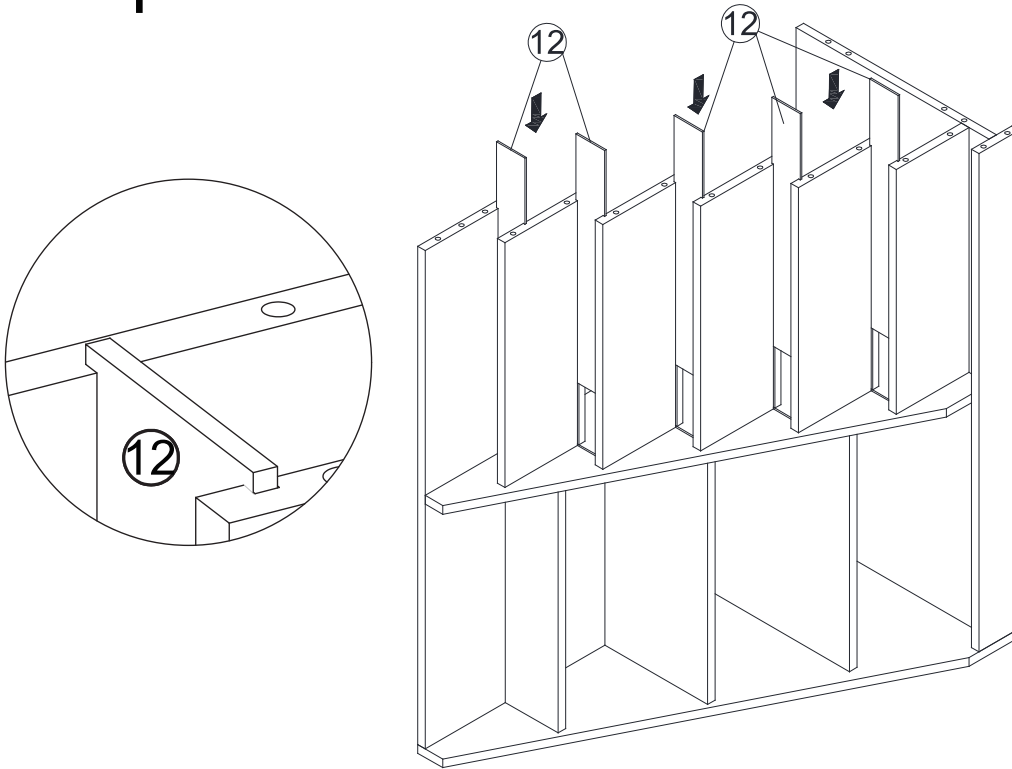
Insert Cam-lock with arrow align to Cam-bolt head

CORRECT    WRONG

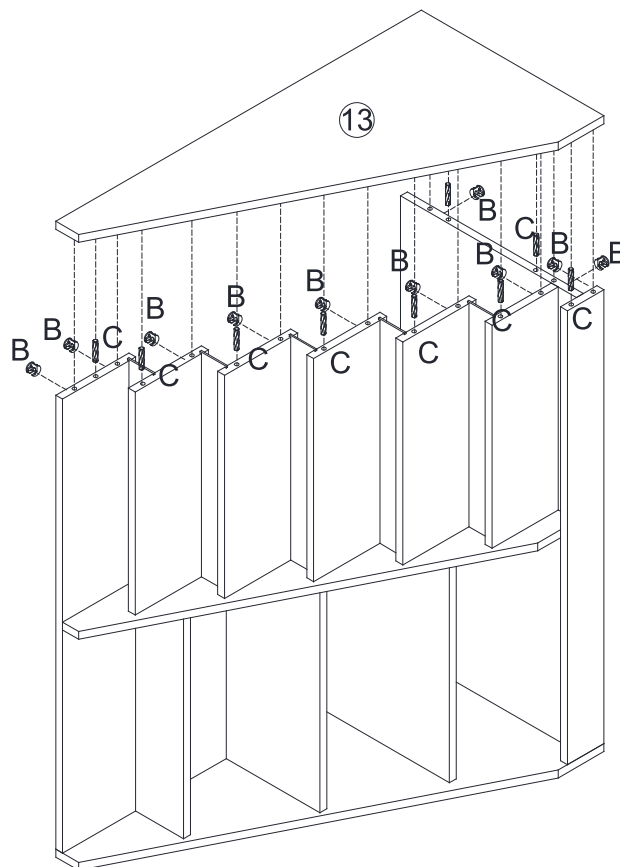


	Bx2
	Cx2

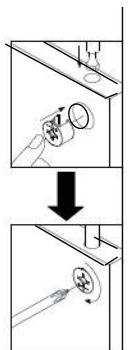
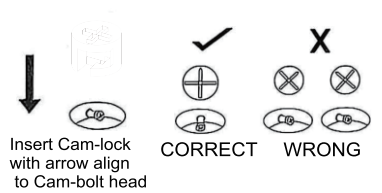
# Step 12



# Step 13



### INSERTING CAM-LOCK



For details, see Page 6.

	Bx10
	Cx9