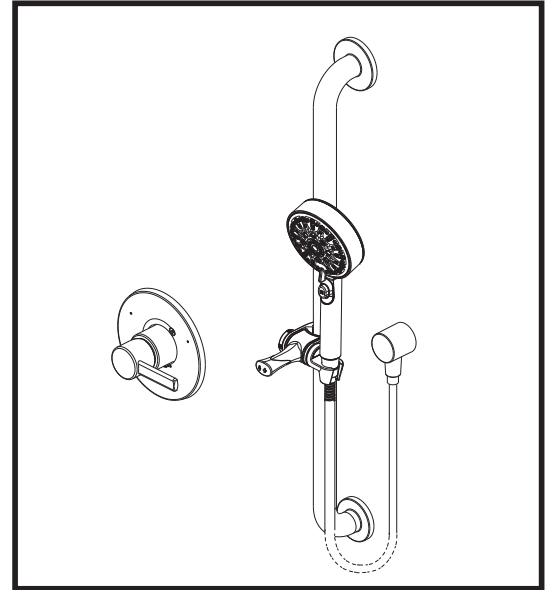
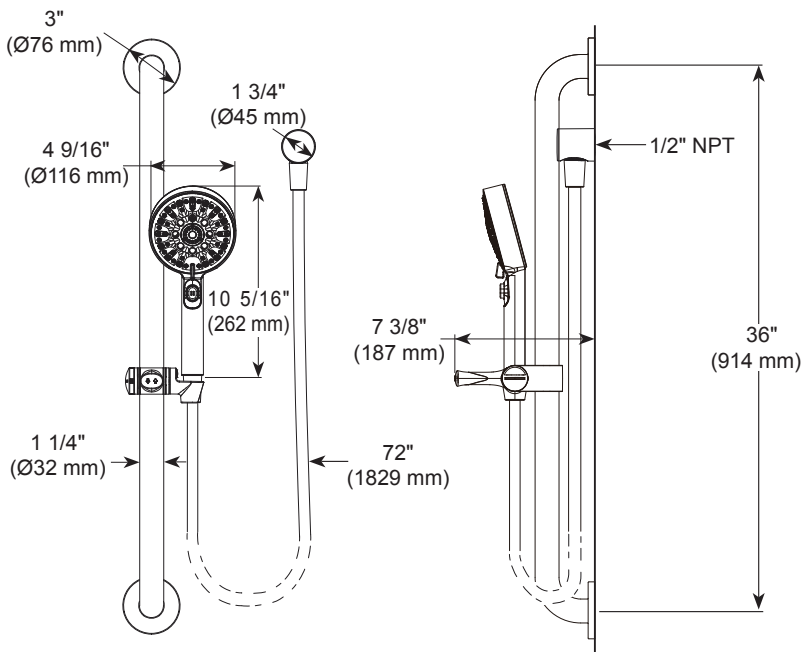
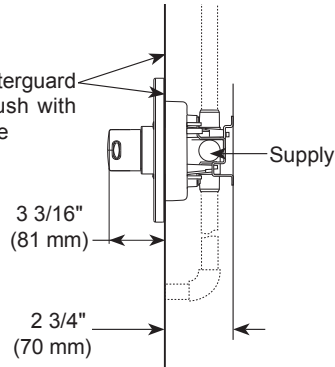


Face of plasterguard should be flush with finish wall line



## TUB AND SHOWER FAUCET

- Precept™ Collection
- Tub/Shower (PTT24347▲)

### STANDARD SPECIFICATIONS:

- Hand shower maximum flow rate 1.5 gpm @ 80 psi, 5.7 L/min @550 kPa
- Maintains a balanced pressure of hot and cold water even when a valve is turned on or off elsewhere in the system.
- For use with MultiChoice® Universal rough valve body. (R10000 Series)
- Tub/Shower. Requires 2 3/4" wall cavity.
- Back-to-back installation capability.
- Cartridge utilizes integral check valves to prevent the cross flow of water within the valve.
- Field adjustable means to limit handle rotation into hot water zone.
- Red/blue markings on escutcheon for hot/cold identification.
- Temperature only, controlled with handle rotating a maximum of 120° from full cold to the full hot.
- Easy turn dial to change hand shower spray settings, pause with pushbutton. Pause is a non-positive shut-off.
- 72" (1829 mm) stainless steel hose.
- 36" (914 mm) grab bar with ADA adjustable slide.
- ADA complaint grab bar, hand shower and hose when installed per accessibility guideline of the act.
- The handle (tub shower) operations meet ADA requirements.

### WARRANTY:

- Parts and Finish – Lifetime limited warranty; or for commercial purchasers, 10 years for multi-family residential (apartments and condominiums) and 5 years for all other commercial uses, in each case from the date that the product is received by the original purchaser or their authorized representative (installation contractor, etc.).



### COMPLIES WITH

- ASME A112.18.1 / CSA B125.1
- EPA WaterSense®
- ♿ Indicates compliance to ICC/ANSI A117.1