



## All-In-One 33" top-mount double-bowl kitchen sink kit R31732-1PC

### Features

- 36" (914 mm) minimum base cabinet width
- Double-equal bowls
- 8" (203 mm) depth
- Rounded corners are easy to clean
- Angled edge allows for easy sweeping of food or water from countertop to bowl
- SilentShield® sound-absorption technology offers quieter performance
- Single faucet hole
- Two-function pull-down sprayhead allows you to switch from aerated stream to powerful ring spray
- MasterClean™ sprayface features an easy-to-clean surface that withstands mineral buildup and maximizes spray performance
- Sink strainers keep large items from passing into the drain
- Box includes: Sink, assembled Vibrant Stainless pull-down faucet, two drains and strainers, installation hardware

### Material

- Premium 18-gauge stainless steel

### Installation

- Top-mount

### Recommended Products/Accessories

K-23726 Drain treatment  
K-23729 Stainless steel cleaner  
31734 Stainless steel sink rack

### Included Components

7400 Stainless Steel Sink Drain and Strainer

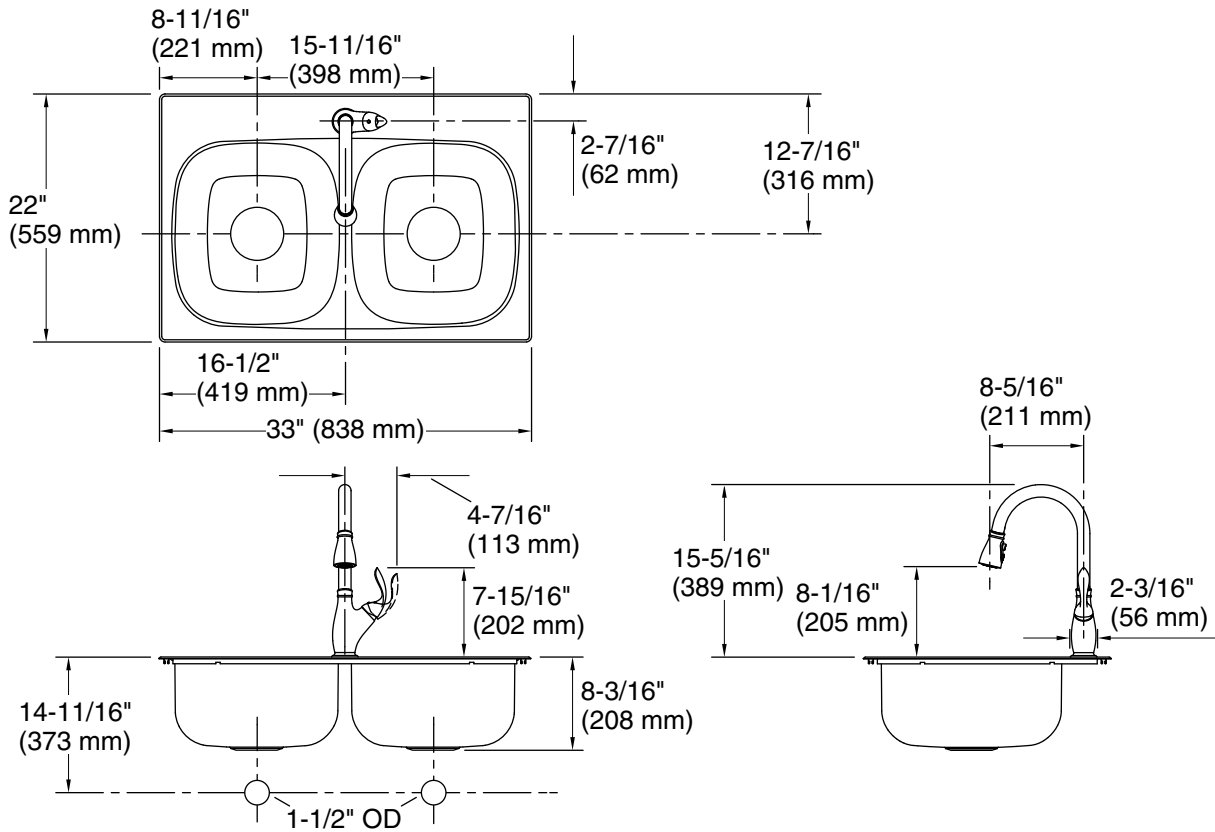


### Codes/Standards

ASME A112.18.1/CSA B125.1  
ASME A112.19.3/CSA B45.4  
NSF/ANSI/CAN 61  
NSF/ANSI/CAN 372

### STERLING® Stainless Steel Sinks Lifetime Limited Warranty

See website for detailed warranty information.



### Technical Information

All product dimensions are nominal.

Basin configuration:	Single Bowl
Cutout:	Top-mount, 21-1/2" x 32-1/2" (546 mm x 826 mm)
Min. base cabinet width:	36" (914 mm)
Bowl area (Left):	Length: 14-3/8" (366 mm) Width: 15-15/16" (404 mm) Bowl depth: 8" (203 mm) Water depth: 8" (203 mm)
Bowl area (Right):	Length: 14-3/8" (366 mm) Width: 15-15/16" (404 mm) Bowl depth: 8" (203 mm) Water depth: 8" (203 mm)
With overflow:	No
Number of deck holes:	1
Drain hole:	3-11/16" (94 mm)
Template:	Top-mount, 1032929-7, not required, not included

### Notes

Install this product according to the installation instructions.