



Washer

User manual

WA52M7750A* / WA52M7755A*

SAMSUNG

Contents

Safety information	4
What you need to know about the safety instructions	4
Important safety symbols	4
Important safety precautions	5
Installation	13
Unpacking your washer	13
Overview of your washer	14
Basic location requirements	16
Important note to installer	20
Step-by-step installation	20
Operating instructions	28
Loading your washer	28
Getting started	29
Washing a load of laundry	30
Control panel	30
Cycle overview	32
Options	34
Washing clothes using the cycle selector	38
ATC (Auto Temperature Control)	39
The basics	40
Detergent use	42
Features	43
Maintaining your washer	48
Cleaning the exterior	48
Cleaning the interior	48
Storing your washer	48
Preserving the top cover and the front frame	49
Cleaning mesh filter	49
Cleaning the dispensers	49
Self Clean	51

Troubleshooting	52
Checkpoints	52
Information codes	56
Specifications	60
Fabric care chart	60
Helping the environment	62
Declaration of conformity	62
Specification sheet	63
Cycle chart	64

Safety information

Congratulations on your new Samsung washer. This manual contains important information on the installation, use and care of your appliance. Please take some time to read this manual to take full advantage of your washer's many benefits and features.

What you need to know about the safety instructions

Please read this manual thoroughly to ensure that you know how to safely and efficiently operate the extensive features and functions of your new appliance. Please store the manual in a safe location close to the appliance for future reference. Use this appliance only for its intended purpose as described in this instruction manual.

Warnings and Important Safety Instructions in this manual do not cover all possible conditions and situations that may occur. It is your responsibility to use common sense, caution and care when installing, maintaining and operating your washer.

Because the following operating instructions cover various models, the characteristics of your washer may differ slightly from those described in this manual and not all warning signs may be applicable. If you have any questions or concerns, contact your nearest service center or find help and information online at www.samsung.com.

Important safety symbols

What the icons and signs in this user manual mean:

 **WARNING**

Hazards or unsafe practices that may result in **severe personal injury, death and/or property damage**.

 **CAUTION**

Hazards or unsafe practices that may result in **personal injury and/or property damage**.

 **NOTE**

Indicates that a risk of personal injury or material damage exists.

SAVE THESE INSTRUCTIONS

These warning signs are here to prevent injury to yourself and others.
Please follow them explicitly.
After reading this manual, store it in a safe place for future reference.

Read all instructions before using the appliance.

As with any equipment that uses electricity and moving parts, potential hazards exist. To safely operate this appliance, familiarize yourself with its operation and exercise care when using it.

WARNING

State of California Proposition 65 Warning (US only)

This product contains chemicals known to the State of California to cause cancer and birth defects or other reproductive harm.

Important safety precautions

WARNING

To reduce the risk of fire, electric shock, or injury to persons when using your appliance, follow basic precautions, including the following:

1. Read all instructions before using this appliance.
2. Do not wash or dry articles that have been previously cleaned in, washed in, soaked in, or spotted with gasoline, dry-cleaning solvents, other flammable or explosive substances as they give off vapors that could ignite or explode.
3. Do not allow children to play on or in the appliance. Close supervision of children is necessary when the appliance is used near children.
4. Before the appliance is removed from service or discarded, remove the lid of the washing or drying compartment.
5. Do not reach into the appliance if the drum is moving.
6. Do not install or store this appliance where it will be exposed to the weather.
7. Do not tamper with the controls.
8. Do not repair or replace any part of the appliance or attempt any servicing unless it is specifically recommended in the user-maintenance instructions or in published user-repair instructions that you understand and have the skills to carry out.
9. Do not add gasoline, dry-cleaning solvents, or other flammable or explosive substances to the wash water. These substances give off vapors that could ignite or explode.

SAVE THESE INSTRUCTIONS

Safety information

- 10.** Under certain conditions, hydrogen gas may be produced in a hot water system that has not been used for 2 weeks or more. **HYDROGEN GAS IS EXPLOSIVE.** If the hot water system has not been used for 2 weeks or more, before using a washer or combination washer-dryer, turn on all hot water faucets and let the water flow from each for several minutes. This will release any accumulated hydrogen gas. As the gas is flammable, do not smoke or use an open flame during this time.

Critical installation warnings

WARNING

Plug the power cord into an AC 120 V / 60 Hz/wall socket rated at 15 amps or higher. Use the socket for this appliance only. In addition, do not use an extension cord.

- Sharing a wall socket with other appliances, using a power strip, or extending the power cord may result in electric shock or fire.
- Do not use an electric transformer. It may result in electric shock or fire.
- Ensure that the power voltage, frequency, and current match the product's specifications. Failing to do so may result in electric shock or fire.

Have this appliance installed by a qualified technician or service company.

- Failing to do so may result in electric shock, fire, an explosion, problems with the product, or injury.

Remove all foreign substances such as dust or water from the power plug terminals and contact points using a dry cloth on a regular basis.

- Unplug the power plug and clean it with a dry cloth.
- Failing to do so may result in electric shock or fire.

Plug the power plug into the wall socket in the right direction so that the cord runs towards the floor.

- If you plug the power plug into the socket in the opposite direction, the electric wires within the cable may be damaged and this may result in electric shock or fire.

SAVE THESE INSTRUCTIONS

This appliance must be properly grounded.

Do not ground the appliance to a gas pipe, plastic water pipe, or telephone line.

- Improper grounding may result in electric shock, fire, an explosion, or problems with the product.
- Never plug the power cord into a socket that is not grounded correctly. Make sure the socket you use is grounded in accordance with local and national codes.

Do not install this appliance near a heater or flammable material.

Do not install this appliance in a humid, oily, or dusty location, or in a location exposed to direct sunlight or water (rain drops).

Do not install this appliance in a location where gas may leak.

- This may result in electric shock or fire.

Plug the power plug into the wall socket firmly. Do not use a damaged power plug, damaged power cord, or loose wall socket.

- This may result in electric shock or fire.

Do not pull or excessively bend the power cord.

Do not twist or tie the power cord.

Do not hook the power cord over a metal object, place a heavy object on the power cord, insert the power cord between objects, or push the power cord into the space behind the appliance.

- This may result in electric shock or fire.

Do not pull the power cord when unplugging the power plug.

- Unplug the power plug by holding the plug.
- Failing to do so may result in electric shock or fire.

If the power plug or power cord are damaged, contact your nearest service center.

Installation cautions

CAUTION

Position the appliance so that the power plug is easily accessible.

- Failing to do so may result in electric shock or fire due to electric leakage.

Install your appliance on a level and hard floor that can support its weight.

- Failing to do so may result in abnormal vibrations, noise, or problems with the product.

SAVE THESE INSTRUCTIONS

Safety information

Unplug the power plug when the appliance is not being used for long periods of time or during a thunder/lightning storm.

- Failing to do so may result in electric shock or fire.

Critical usage warnings

WARNING

If the appliance is flooded, cut the power immediately and contact your nearest service center.

If the appliance emits a strange noise, a burning smell, or smoke, unplug the power plug immediately and contact your nearest service center.

- Failing to do so may result in electric shock or fire.

In the event of a gas leak (such as propane gas, LP gas, etc.), ventilate the area immediately. Do not turn any appliance or light on or off.

- Do not use a ventilating fan.
- A spark may result in an explosion or fire.

Do not wash items contaminated with gasoline, kerosene, benzene, paint thinner, alcohol or other flammable or explosive substances.

- This may result in electric shock, fire, or an explosion.

Do not force the washer lid open while the washer is operating (high-temperature washing/drying/spinning).

- Water flowing out of the washer may cause burns or cause the floor to be slippery. This may result in injury.
- Forcing the lid open can damage the product or cause injury.

Make sure to remove the packaging (sponge, styrofoam) attached to the bottom of the washer before using it.

Do not insert your hand under the washer.

- This may result in injury.

Do not touch the power plug with wet hands.

- This may result in electric shock.

Do not turn the appliance off by unplugging the power plug while the washer is in operation.

SAVE THESE INSTRUCTIONS

- Plugging the power plug into the wall socket again may cause a spark and result in electric shock or fire.

Keep all packaging materials well out of the reach of children, as packaging materials can be dangerous to children.

- If a child places a bag over their head, the child may suffocate.

Do not let children or infirm persons use this washer unsupervised.

- Failing to do so may result in electric shock, burns or injury.

Do not insert your hand or a metal object under the washer while it is operating.

- This may result in injury.

Do not attempt to repair, disassemble, or modify the appliance yourself.

- Do not use any fuse (such as copper, steel wire, etc.) other than the standard fuse.
- If you need to repair or reinstall the appliance, contact your nearest service center.
- Failing to do so may result in electric shock, fire, problems with the product, or injury.

If any foreign substance such as water enters the appliance in any area other than the tub, unplug the power plug and contact your nearest service center.

- Failing to do so may result in electric shock or fire.

If the water supply hose comes loose from the faucet and floods the appliance, unplug the power plug.

- Failing to do so may result in electric shock or fire.

Usage cautions

CAUTION

If the washer is contaminated by a foreign substance such as detergent, dirt, food waste, etc., unplug the power plug and clean the washer using a damp, soft cloth.

- Failing to do so may result in discoloration, deformation, damage or rust.

The clear portion of the lid can be broken by a strong impact. Take care when using the washer.

- If the clear portion is cracked or broken, it may result in injury.

After a water supply failure or when reconnecting the water supply hose, open the faucet slowly.

SAVE THESE INSTRUCTIONS

Safety information

Open the faucet slowly after a long period of non-use.

- The air pressure in the water supply hose or the water pipe may result in damage to a part or in water leakage.

If a drain error occurs during an operation, check if there is a draining problem.

- If the washer is used when it is flooded because of a draining problem, it may result in electric shock or fire due to electric leakage.

Do not insert your hand under the washer.

- This may result in injury.

Insert the laundry into the washer completely so that laundry does not get caught in the lid.

- If laundry gets caught in the lid, it may result in damage to the laundry or the washer, or result in water leakage.

Ensure that the faucet is turned off when the washer is not being used.

- Ensure that the water supply hose connectors are properly tightened.
- Failing to do so may result in property damage or injury.

Open the faucet and check if the water supply hose connector is firmly tightened and that there is no water leaking before using the product.

- If the water supply hose connectors are loose, it may result in water leakage.

Do not stand on top of the appliance or place objects (such as laundry, lighted candles, lighted cigarettes, dishes, chemicals, metal objects, etc.) on the appliance.

- This may result in electric shock, fire, problems with the product, or injury.

Do not operate the appliance with wet hands.

- This may result in electric shock.

Do not spray volatile material such as insecticide onto the surface of the appliance.

- As well as being harmful to humans, it may also result in electric shock, fire, or problems with the product.

Do not place an object that generates a electromagnetic field near the washer.

- This may result in injury due to a malfunction.

Since the water drained during a high-temperature wash or drying cycle is hot, do not touch the water.

- This may result in burns or injury.

For waterproof fabrics, only use the WATERPROOF cycle.

SAVE THESE INSTRUCTIONS

-
- Do not use other cycles for waterproof fabrics.
This may result in injury or damage to the washer, walls, floor, or clothing due to abnormal vibrations.
 - Set the temperature and spin according to the attached care label.

Do not operate the washer when the detergent dispenser is removed.

- This may result in electric shock or injury due to water leakage.

Do not insert your hand into the detergent dispenser after opening it.

- This may result in injury as your hand may be caught.

Do not place any non-laundry objects, such as shoes, food waste, or animals into the washer.

- This can cause abnormal vibrations that can damage the washer, and, in the case of pets, cause severe injury or death.

Do not press the buttons using sharp objects such as pins, knives, fingernails, etc.

- This may result in electric shock or injury.

Do not wash laundry contaminated by oils, creams, or lotions usually found in skincare shops or massage clinics.

- This may result in the rubber seal becoming deformed and water leakage.

Do not leave metal objects (safety pins, hair pins, etc.) or bleach in the tub for long periods of time.

- This may cause the tub to rust.
- If rust appears on the surface of the tub, apply a neutral cleansing agent to the surface and use a sponge to clean it. Never use a metal brush.

Do not use dry cleaning detergent directly in the tub and do not wash, rinse, or spin laundry contaminated by dry cleaning detergent.

- This may result in spontaneous combustion or ignition due to heat from the oxidation of the oil.

Do not use hot water from water cooling/heating devices.

- This may result in problems with the washer.

Do not use natural hand-washing soap in the washer.

- If it hardens and accumulates inside the washer, it may cause problems with the product, discoloration, rust, or bad odors.

Do not wash large laundry items such as bedding in the washing net.

- Failing to do so may result in injury due to abnormal vibrations.

SAVE THESE INSTRUCTIONS

Safety information

- Place smaller items, such as lace socks and lingerie in the washing net.

Do not use hardened detergent.

- If it accumulates inside the washer, it may result in water leakage.

Do not wash throw rugs or doormats.

- If you wash throw rugs or doormats, the sand will accumulate inside the washer. It may result in error such as no draining.

Critical cleaning warnings

WARNING

Do not clean the appliance by spraying water directly onto it.

Do not use the strong acid cleaning agent.

Do not use benzene, paint thinner, or alcohol to clean the appliance.

- This may result in discoloration, deformation, damage, electric shock, or fire.

Before cleaning or performing maintenance, unplug the appliance from the wall socket.

- Failing to do so may result in electric shock or fire.

SAVE THESE INSTRUCTIONS

Installation

Follow these instructions carefully to ensure proper installation of the washer and to prevent accidents when using it.

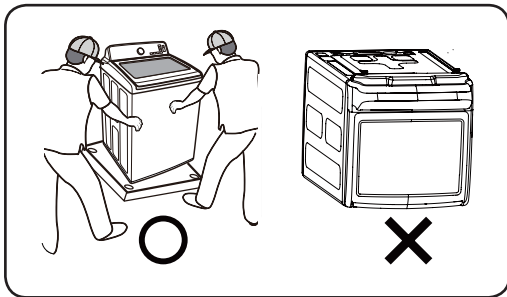
Unpacking your washer

Unpack your washer and inspect it for shipping damage. Make sure you have received all the items shown below. If your washer was damaged during shipping, or you do not have all of the items, contact 1-800-SAMSUNG (1-800-726-7864).

To prevent personal injury or strain, wear protective gloves whenever lifting or carrying the unit.

WARNING

Packing materials can be dangerous to children; Keep all packing material (plastic bags, polystyrene, etc.) well out of children's reach.



CAUTION

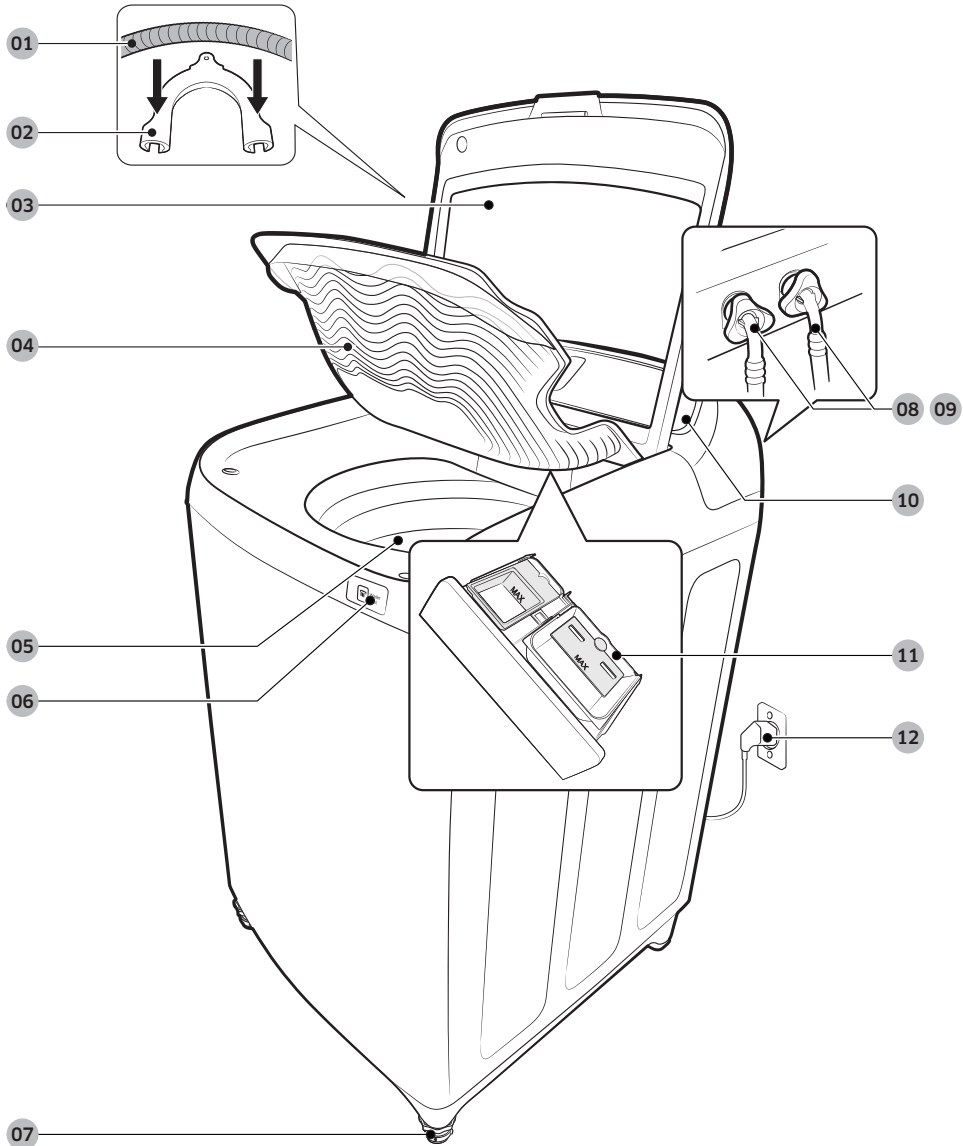
When unpacking the washer, 2 person collaboration is needed. To remove the cushion bottom of the packing materials, forward dumping is strictly prohibited.

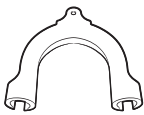
When you lay the washer down to remove carton base, should protect the side of washer and lay it carefully. Never lay your washer on its back or front.

Installation

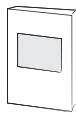
Overview of your washer

Make sure all the parts are included in the product package. If you have a problem with the washer or the parts, contact a local Samsung customer center or the retailer.



01 Drain hose**02** Hose guide**03** Lid**04** Built-in sink**05** Tub**06** Water Jet**07** Leveling feet**08** Water hose (Cold)**09** Water hose (Hot)**10** Control panel**11** Detergent drawer**12** Power cord**Parts supplied**

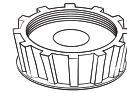
Hose guide



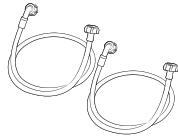
User manual



Plastic zip hose tie



Water intake cap

Parts not supplied

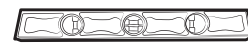
Water supply hoses

Tools needed for installation

Wrench



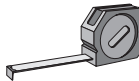
Flat screwdriver



Leveller



Adjustable Plier



Measuring tape

NOTE

- If you lose an accessory and want to purchase a replacement, contact the Samsung service center (1-800-SAMSUNG (1-800-726-7864)).
- The design of the parts and accessories may differ from the pictures above. Their design is subject to change without notice for product improvement.
- Do not reuse old hoses. Only use new water supply hoses when you install the washer. Old water supply hoses can leak or burst causing flooding and property damage.
- Confirm that there are rubber washers inside each coupling of the water supply hoses.

Installation

Basic location requirements

Electrical

- 120 Volt 60 Hz 15 AMP fuse or circuit breaker.
- Individual branch circuit serving only your Washer is recommended.
- Your washer is equipped with a power cord.

CAUTION

Never use an extension cord.

Grounding

Electrical grounding is required for this appliance.

This appliance must be grounded. In the event of malfunction or breakdown, grounding will reduce the risk of electric shock by providing a path of least resistance for electric current.

This appliance is equipped with a power cord having a three-prong grounding plug for use in a properly installed and grounded outlet.

The plug must be plugged into an appropriate outlet that is properly installed and grounded in accordance with all local codes and ordinances.

WARNING

An improperly connected equipment-grounding conductor can increase the risk of electrical shock. Check with a qualified electrician or serviceman if you are not sure whether the appliance is properly grounded. Do not modify the plug provided with the appliance - if it does not fit the outlet, have a proper outlet installed by a qualified electrician.

Important safety precautions

To prevent unnecessary risk of fire, electrical shock or personal injury, all wiring and grounding must be done in accordance with the National Electrical Code ANSI/FNPA, No.70 Latest Revision and local codes and ordinances. It is the personal responsibility of the appliance owner to provide adequate electrical service for this appliance.

CAUTION

Never connect the ground wire to plastic plumbing lines, gas lines, or hot water pipes.

Water

To correctly fill your Washer in the proper amount of time, water pressure of 20 to 116psi (137 to 800kPa) is required. Water pressure less than 20 psi may cause water valve failure, or may not allow the water valve to shut off completely, or may extend the fill time beyond what your Washer controls allow, causing your Washer to turn off. A time limit is built into the controls to prevent flooding in your home if a hose becomes loose.

The water faucets must be within 4 feet (122 cm) to the back of your Washer to match the inlet hoses provided with your Washer.

NOTE

Accessory inlet hoses are available in various lengths up to 10 feet (275 cm) for faucets that are further away from the back of your washer.

To avoid the possibility of water damage:

- Have water faucets easily accessible.
- Turn off faucets when the washer is not in use.
- Periodically check that there is no leakage from the water inlet hose fittings.

WARNING

Check all connections at the water valve and faucet for leaks

Drain facility

The recommended height of the standpipe is 39 in (99 cm). The drain hose must be routed through the drain hose clip to the standpipe. The standpipe must be large enough to accept the outside diameter of the drain hose. The drain hose is attached to the washer at the factory.

Flooring

For best performance, you must install your washer on a solidly constructed floor. Wood floors may need to be reinforced to minimize vibration and/or unbalanced load situations. Carpeting and soft tile surfaces are contributing factors to vibration which can cause your washer to move slightly during the spin cycle.

Never install your washer on a platform or weakly supported structure.

Location considerations

Do not install your washer in areas where water may freeze, since your washer will always retain some water in its water valve, pump, and hose areas. Frozen water can damage the belts, the pump, hoses, and other components.

Alcove or closet installation

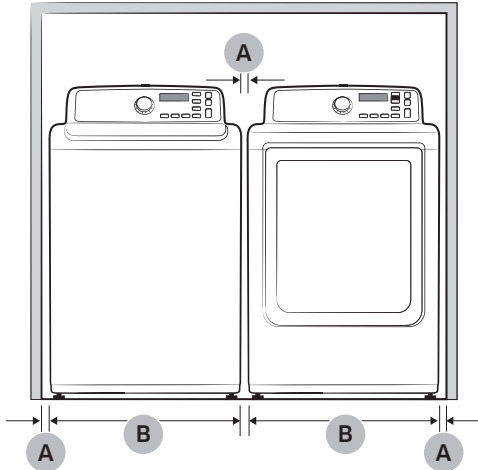
Minimum clearances for closet and alcove installations:

Sides	1 in / 25 mm	Closet front	2 in / 51 mm
Rear	6 in / 152 mm	Top	21 in / 533 mm

If the washer and dryer are installed together, the closet front must have at least a 72 in² (465 cm²) unobstructed air opening. Your washer alone does not require a specific air opening.

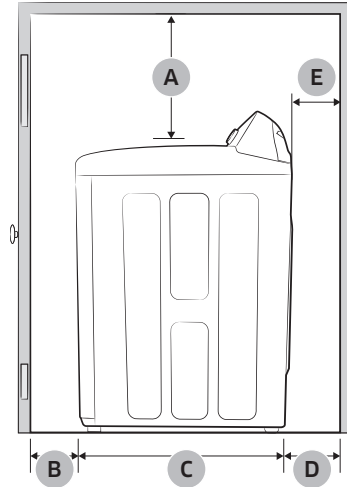
Installation

Recessed area



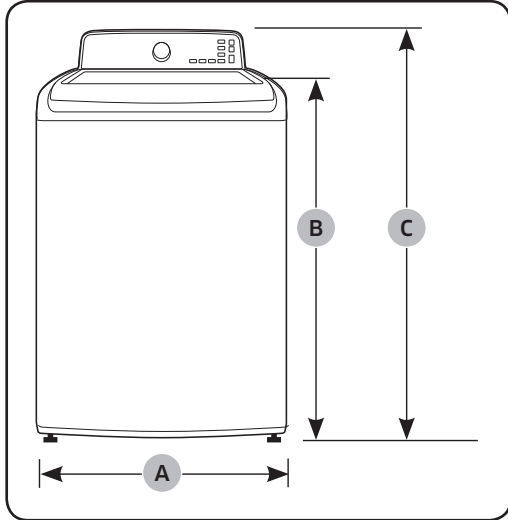
A	1 in (2.5 cm)
B	27.0 in (68.6 cm)

Side view - closet or confined area

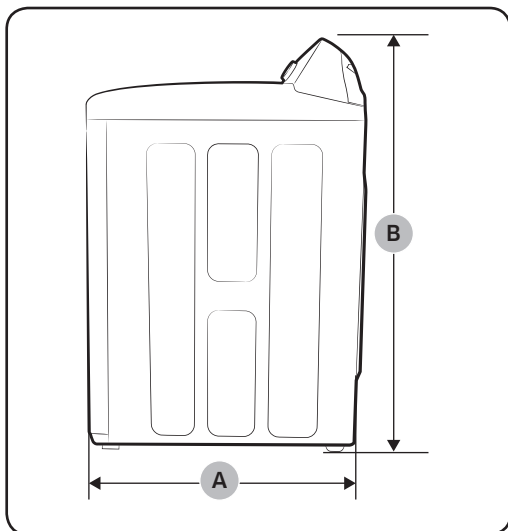


A	21 in (53.3 cm)
B	2 in (5.1 cm)
C	29 7/16 in (74.4 cm)
D	6 in (15.2 cm)
E	<p>Gap between end of water valve and the wall</p> <ul style="list-style-type: none"> Case 1. Assemble supply hose after installing : Over 4 in (10 cm). Case 2. Assemble supply hose before installing : Over 3 in (8 cm).

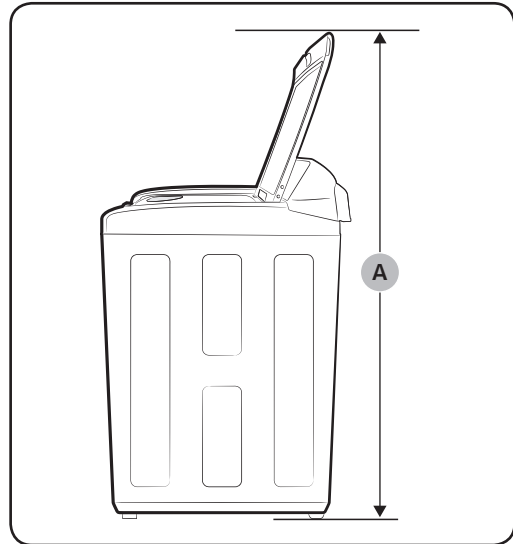
Required dimensions for Installation



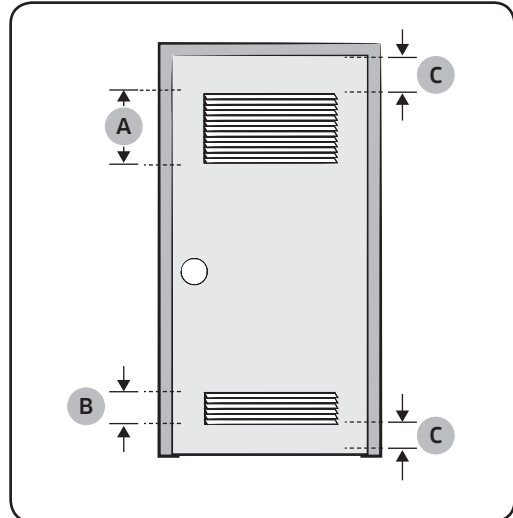
A	27.0 in (68.6 cm)
B	39.2 in (99.5 cm)
C	46.0 in (116.8 cm)



A	29.3 in (74.4 cm)
B	46.0 in (116.8 cm)



A	59.8 in (152.0 cm)
---	--------------------



A*	48.0 in ² (310.0 cm ²)
B*	24.0 in ² (155.0 cm ²)
C	3.0 in (7.6 cm)

NOTE

* Required spacing

Installation

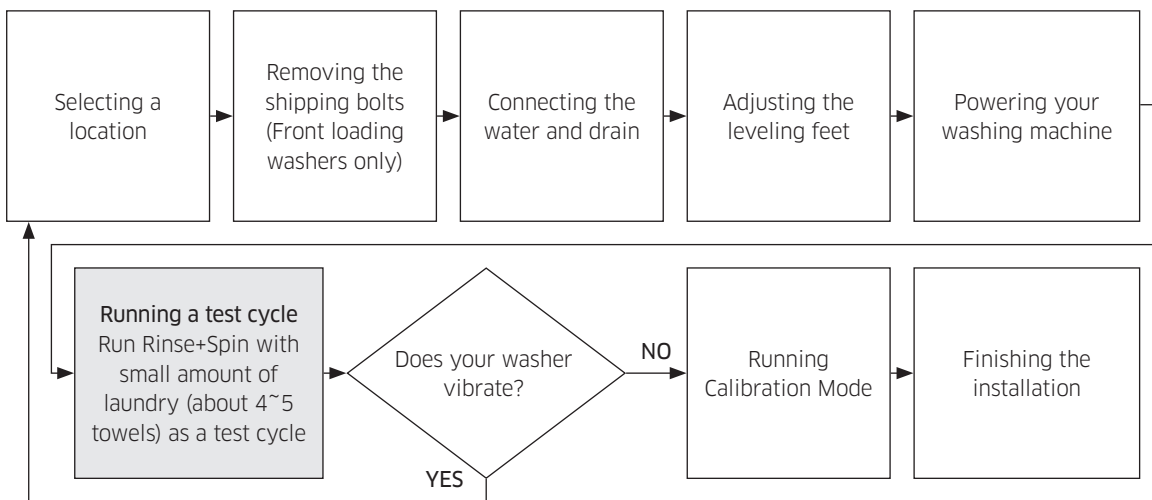
Important note to installer

Please read the following instructions carefully before installing your washer.

These instructions should be retained for future reference.

We recommend you hire a professional to install this washer.

Installation flow chart



Check again before steps.

Step-by-step installation

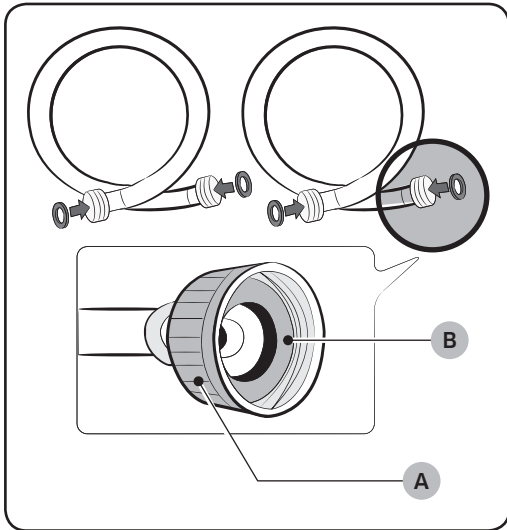
STEP 1 Selecting a location

NOTE

Before you install the washer, make sure the location:

- Has a hard, level surface without carpeting or flooring that may obstruct ventilation.
- Is away from direct sunlight.
- Has adequate ventilation.
- Is not exposed to freezing temperatures (temperatures under 32 °F or 0 °C).
- Is away from heat sources such as oil or gas.
- Has enough space so that the washer doesn't rest on its power cord.

STEP 2 Connecting the water supply hose



⚠ CAUTION

Before installing the water supply hoses, make sure there are **rubber gaskets (B)** inside the **couplings (A)** at both ends of each new water hose. Installing the water supply hoses without rubber gaskets can cause water leakage.

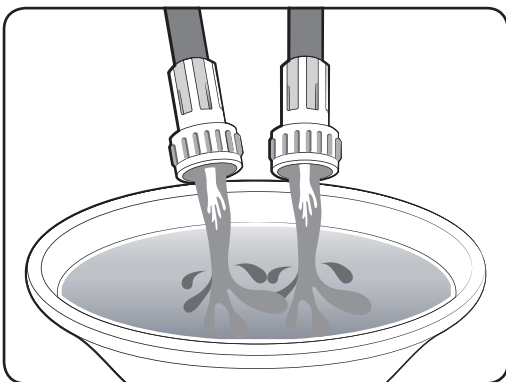
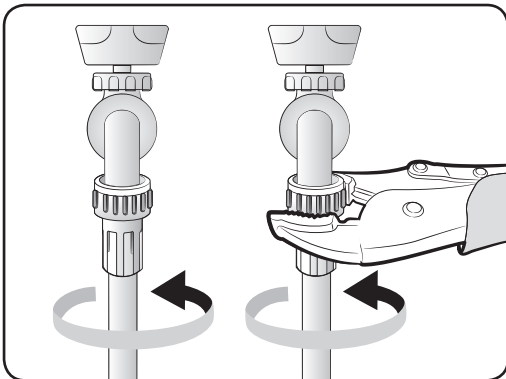
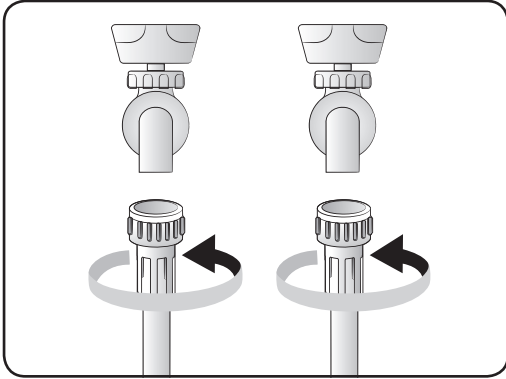
⚠ CAUTION

When you initially install the washer, be sure to use new hoses. Failing to do so may result in a water leakage or overflow and may damage your property.

⚠ CAUTION

Do not connect multiple water supply hoses together to increase the length of the supply hose. Hoses connected this way can leak and the leakage can cause electrical shock. If a hose is too short, replace the hose with a longer, high pressure hose.

Installation



1. Connect the ends of the water supply hoses to the **hot** and **cold** faucets.
2. Tighten the fittings by hand until they are snug, and then tighten them an additional two-thirds of a turn with a plier.

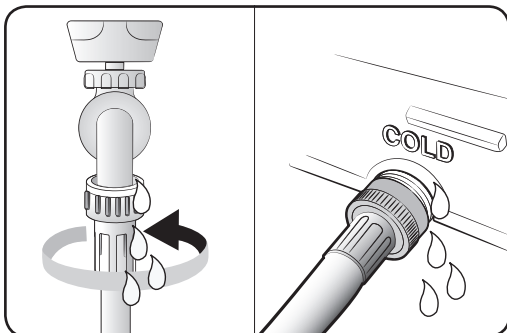
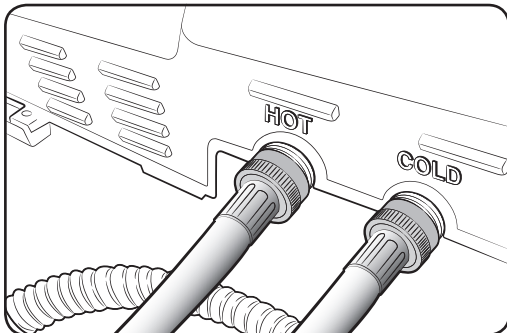
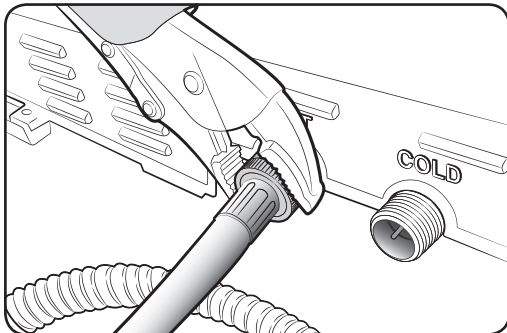
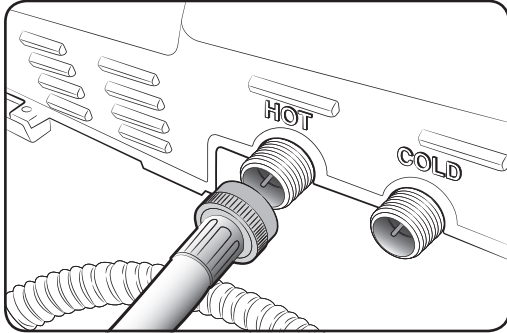
⚠ CAUTION

When you fasten the fittings, do not fasten them too tightly or apply tape or sealant to the faucets or water supply intakes. This can damage the fittings.

📄 NOTE

After you have connected the water supply hoses to the faucets, ensure that they are connected correctly by pulling the water supply hoses downwards.

3. Place the unconnected ends of the hoses into a bucket and open the faucets connected to the two water supply hoses for 10 or 15 seconds to remove any foreign substances from the hoses. Close the faucets before continuing.



4. Connect the ends of the water supply hoses to the water supply intake connections at the back of the washer.

⚠ CAUTION

The water supply hose connected to the hot faucet must be connected to the hot water supply intake and the water hose connected to the cold faucet must be connected to the cold water supply intake.

5. Tighten the fittings by hand until they are snug, and then tighten them an additional two-thirds of a turn with a plier.

📖 NOTE

To ensure the correct water usage, connect both the hot and cold water faucets. If either or both are not connected, an "4C" (no fill) code can be displayed.

📖 NOTE

If you do not want to use the hot water supply hose, insert the water intake cap into the hot water supply intake hole. In this case, you must select the **Tap Cold** for the water temperature. If you select the **Tap Cold**, all the lamps for the water temperature options are turned off.

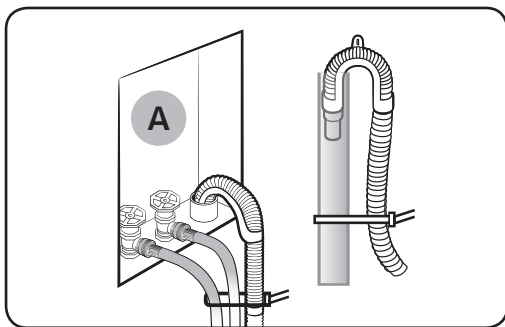
⚠ CAUTION

Confirm that the water supply hoses are not twisted or bent. If the hoses are twisted or bent, the hoses can leak and cause electric shock due to the water leakage.

6. Turn on the hot and cold water supplies and check all the water supply intake connections and the faucets for water leaks.

Installation

STEP 3 Connecting the drain hose



The end of the drain hose can be positioned in three ways:

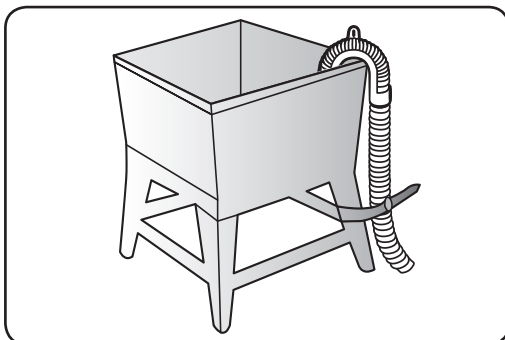
In a Wall standpipe or Floor standpipe

The height of end of standpipe must be no lower than 39 in (99 cm) and no higher than 96 in (245 cm).

If drain pipe are built into the wall with water valves (A), fasten the drain hose to the water hose.

NOTE

- Make sure that the connection between the drain hose and the standpipe is not airtight.

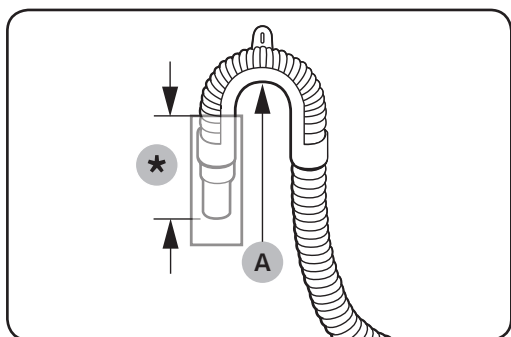


In a laundry tub

The height of the tub must be no lower than 39 in (99 cm) and no higher than 96 in (245 cm).

Assemble the supplied Hose guide at the end of the drain hose, and put the hanger on laundry tub.

And fasten the drain hose to the leg of laundry tub.



NOTE

Connect the hose guide (A) within 3~5 in (7.6~12.7 cm)* from the end of the drain hose. If the drain hose is extended beyond the end of the hose guide, mold or microorganisms could spread inside the washer.

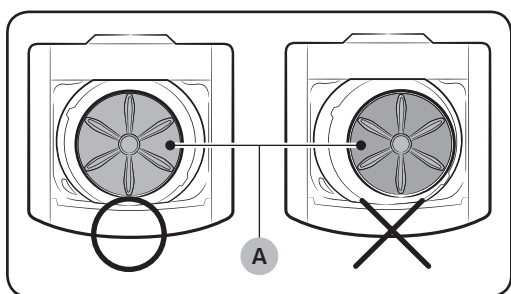
NOTE

The drain hose can be installed to a 96 in (245 cm) maximum, but the draining capability can be reduced at this height. It can cause the washer to have an odor because of remaining water in the drain system.

NOTE

If the drain hose is installed below 39 in (99 cm), water can be drained in cycles due to a siphon phenomenon. It causes the washer to display "4C".

STEP 4 Leveling your washer



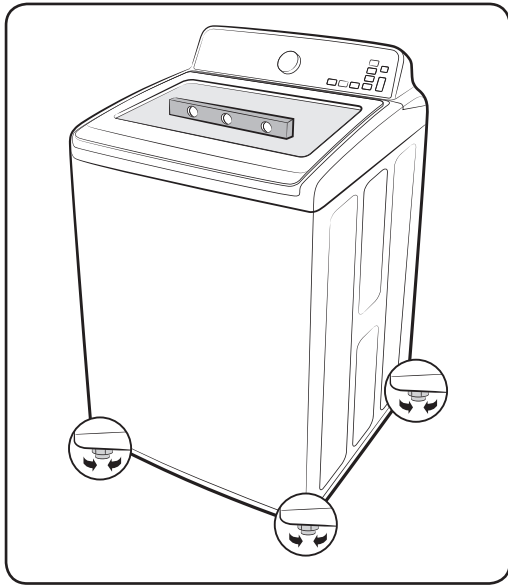
See if the washer is level by checking the position of the tub:

1. Slide the washer into position.
2. Open the lid of the washer, and pour the water into the tub to just below the pulsator level.

NOTE

WA52M7750A* models have the Built-in sink over the pulsator level. That's why the level is not revealed. Open the Built-in sink and check the level with eyes.

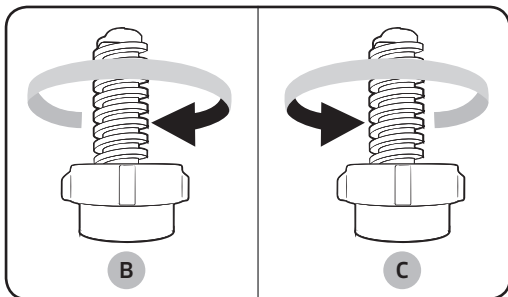
Installation



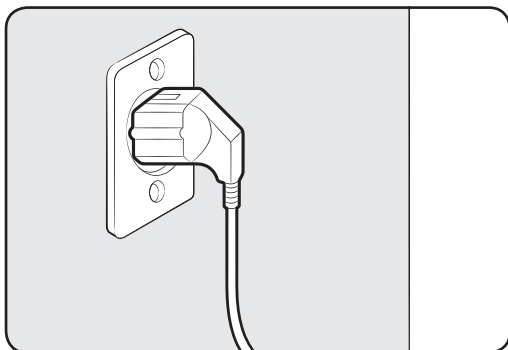
3. If the washer is level, the **pulsator (A)** is positioned at the center of the water as shown in the figure.
If not, level your washer by turning the front leveling feet **clockwise (B)** or **counterclockwise (C)** as necessary.

NOTE

Turn the front leveling feet **clockwise (B)** to lower the washer, and **counterclockwise (C)** to raise the washer.



STEP 5 Powering your washer



Plug the power cord into a 3-prong, well grounded 120 volt 60 Hz approved electrical outlet protected by a 15-amp fuse or comparable circuit breaker. Your washer is grounded through the third prong of the power cord when plugged into a three-prong grounded electrical outlet.

Test run

Make sure that you install your washer correctly by running the **Rinse+Spin** after the installation is complete.

STEP 6 Running a test cycle

Run a test cycle as follows to check if your washer is properly installed.

1. Load about 6 pounds of laundry into the tub.
2. Press **Power** to turn on your washer.
3. Select **Rinse+Spin** by turning the **Cycle Selector**.
4. Press **Start/Pause** to start the test cycle.
5. The washer should not rock or vibrate excessively when water is supplied or when washing or spinning, and should drain well during the spin cycle.

NOTE

If water leaks while water is being supplied or drained, check the water connections. Refer to the “STEP 2 Connecting the water supply hose” section on page 21 for instructions.

NOTE

If the washer rocks and vibrates excessively, level your washer again. Refer to the “STEP 4 Leveling your washer” section on page 25 for instructions.

STEP 7 Calibration Mode

Your Samsung washer detects the laundry weight automatically.

For more accurate weight detection, please run Calibration Mode after the installation.

To run Calibration Mode, follow these steps:

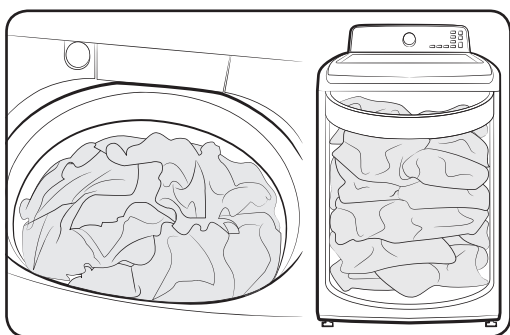
1. Remove laundry or any contents in the machine.
2. Press and hold **Temp.** and **Delay End** simultaneously for at least 3 seconds when the power is turned on.
3. Press **Start/Pause** to activate Calibration Mode.
4. The pulsator rotates clockwise and counterclockwise approximately 1 minute.
5. When Calibration Mode is finished, “**End**” appears on the display, and the washer automatically turns off. The washer is now ready for use.

Operating instructions

WARNING

To reduce the risk of fire, electric shock, or injury to persons when using your appliance, follow basic precautions, including the following:

Loading your washer



- Fill the tub with dry, unfolded clothes evenly around in order to enhance washing efficiency and prevent excess wear, or wrinkling of the load.
- For optimal washing performance, make sure the laundry is piled up evenly.
- Wash delicate items such as bras, hosiery, and other lingerie in the Delicates cycle with similar lightweight items.
- When washing big bulky items or a few smaller items that don't fill the tub completely - a rug, a pillow, stuffed toys, or one or two sweaters, for example - add a few towels to improve spin performance.
- Do not insert bulky items except for Bedding in this cycle.

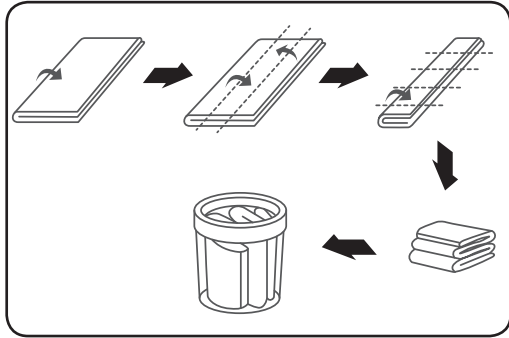
NOTE

During the spin cycle, the washer may add additional water to redistribute the clothes and correct an imbalance inside the drum.

- When washing heavily soiled loads, do not overload your washer to ensure good cleaning results.

CAUTION

- Inflatable items may cause damage to the laundry or the machine during the wash or drying process.
- Regardless of the size, blankets or quilts are safer and cleaner to wash one item at a time. Two different-sized blankets in the same load may compromise the drying performance due to unbalanced loads.



To input a blanket

Fold the blanket into the blanket-specific net as shown, and then insert in the tub below the plastic area of the tub.

⚠ CAUTION

Make sure the laundry is inserted completely.

- Any exposed part of the laundry may cause damage to the machine or the laundry itself, or a water leak.
- Do not overload the tub. Make sure no part of the laundry is exposed outside of the tub.

To add a forgotten item:

1. Press **Start/Pause** to pause the washer.
2. Wait for the door to unlock automatically, and then open the door.
3. Add the item, close the door, and then press **Start/Pause**. The cycle will resume.

Getting started


1. Load your washer.
2. Add liquid (or powder) detergent and additives to the dispenser (see the "Detergent use" section on page 42).
3. Select the appropriate cycle and options for the load (see the "Washing a load of laundry" section page 30).
4. Close the lid.
5. Press **Start/Pause**.
6. The **Wash Indicator** illuminates.
7. The estimated cycle time will appear in the display.
The time may fluctuate to indicate the time remaining in the cycle.

📄 NOTE

The actual time required for a cycle may differ from the estimated time in the display depending on the water pressure, water temperature, detergent, and laundry.

8. Before your washer starts to fill, it will make a series of clicking noises to check the door lock and do a quick drain.

📄 NOTE

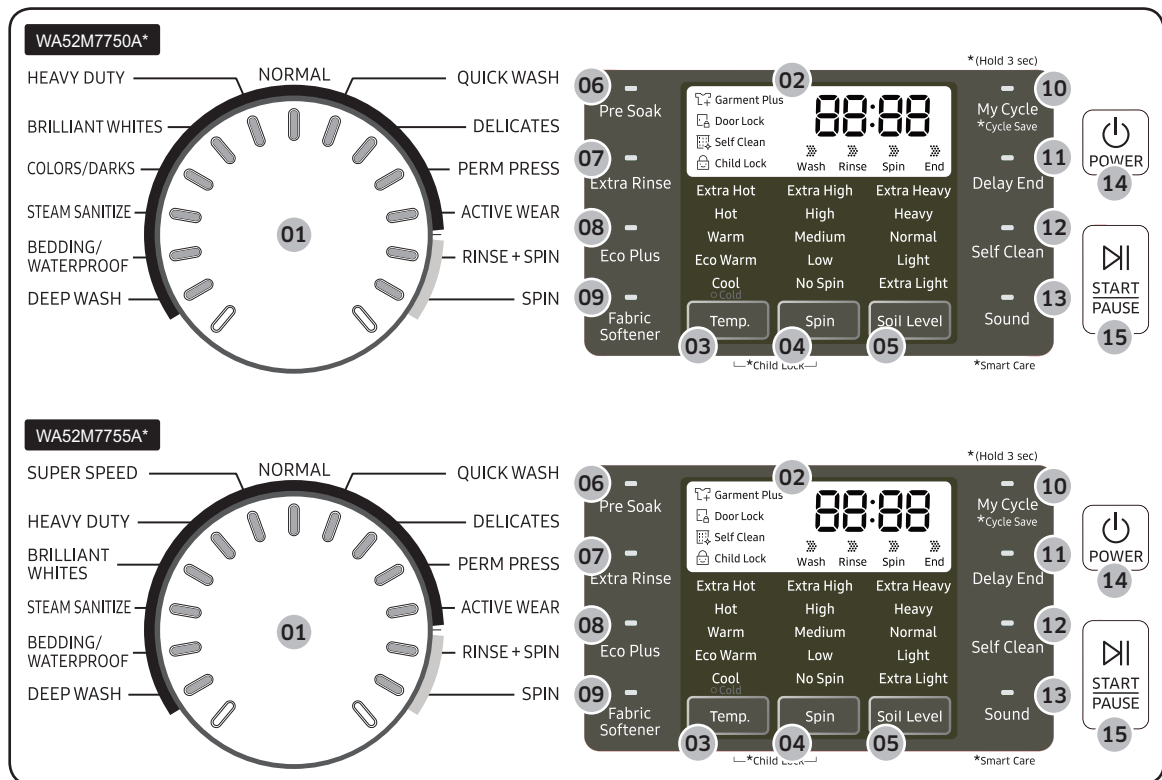
- When the cycle is complete, the  **Door Lock** indicator will go out and "End" will appear in the display.
- Pressing **Power** cancels the cycle and stops your washer.
- The **Wash**, **Rinse**, and **Spin** indicators will illuminate during those portions of the cycle.

Washing a load of laundry


⚠ WARNING

To reduce the risk of fire, electric shock, or injury to persons, read the IMPORTANT SAFETY INSTRUCTIONS before operating this appliance.

Control panel



01 Cycle Selector	Turn the Cycle Selector to select the desired cycle. The indicator by the cycle name lights up.
02 Display	Provides instructions and diagnostics while keeping you updated on the cycle status and time remaining.

<p>03 Temp.</p>	<p>Press the button repeatedly to cycle through the different water temperature options.</p> <ul style="list-style-type: none"> • Extra Hot - Heavily soiled, colorfast items. Only available with the Sanitize cycle. • Hot - Whites and heavily soiled, colorfast items. • Warm - Colorfast items. • Eco Warm - Moderately soiled, colorfast items; most wrinkle-free items. • Cool - Brightly colored, very lightly soiled items. • Cold - Cold water with no warm water added. <p> NOTE</p> <p>If you select the Tap Cold option, all the lamps for the water temperature options are turned off.</p>
<p>04 Spin</p>	<p>Press the button repeatedly to cycle through the different spin speed options.</p> <ul style="list-style-type: none"> • Extra High - Removes more water from loads during spin. • High - Use for underwear, t-shirts, jeans, and sturdy cottons. • Medium - Use for jeans, wrinkle-free or wash-and-wear items, and synthetics. • Low - Use for delicate items needing a slow spin speed. • No Spin - Drains your washer without spinning. Use for extremely delicate items that cannot tolerate any spin.
<p>05 Soil Level</p>	<p>Press the button to select the soil level/washing time.</p> <ul style="list-style-type: none"> • Extra Heavy • Heavy - For heavily soiled loads. • Normal - For moderately soiled loads. This setting is best for most loads. • Light - For lightly soiled loads. • Extra Light
<p>06 Pre Soak</p>	<p>It adds 15 minutes soaking time at the start of the wash cycle for better stain removal.</p>
<p>07 Extra Rinse</p>	<p>Change from spray rinse mode to deep rinse mode, and rinse once again.</p>
<p>08 Eco Plus</p>	<p>To increase your energy savings on your wash cycles. (Less hot water consumption)</p>

Washing a load of laundry



09 Fabric Softener	Add an additional rinse at the end of the cycle to more thoroughly remove laundry additives and perfumes.
10 My Cycle	Press and hold for 3 seconds to save your own cycle. Create and/or use a cycle you have customized temperature, spin speed, soil level, options, etc.
11 Delay End	Delay the end of any cycle for up to 19 hours in one-hour increments. Displayed hour indicates the time the wash will be ended.
12 Self Clean	Use to clean dirt and bacteria from the drum. Regular use (after every 20 washes) is recommended. No detergent or bleach is needed.
13 Sound	The Sound Off function can be selected during all cycles.
14 Power	Press once to turn your washer on. Press again to turn your washer off. If the washer is left on for more than 10 minutes without any buttons being pressed, the power automatically turns off.
15 Start/Pause	Press to pause and restart cycles.

Cycle overview

NOTE

To minimize wrinkling of laundry, select **Perm Press**.

Cycle	Description
NORMAL	For most fabrics including cottons, linens, and normally soiled garments.
SUPER SPEED (WA52M7755A*)	Lightly soiled and Normal Loads (up to 8lb).
HEAVY DUTY	For sturdy, colorfast fabrics and heavily soiled garments. We propose to use this function only when washing lot of heavily soiled garments.
BRILLIANT WHITES	For white fabrics with or without bleach.
COLORS/DARKS (WA52M7750A*)	For brightly or dark colored casual garments.

Cycle	Description
STEAM SANITIZE	<p>For heavily soiled, colorfast garments. (less than 14lbs)</p> <p> NOTE If you select pause during the heating portion of the Sanitize Cycle, your Washer door will remain locked for your safety.</p>
BEDDING/ WATERPROOF	<p>For bulky and large items, such as comforters, blankets and sheets. When washing comforters, use liquid detergent, waterproof or water-resistant items.</p> <p> CAUTION</p> <ul style="list-style-type: none"> ✘ Do not wash waterproof items and non-waterproof items together. ✘ Check the specification label on the fabric item and see if the item is waterproof.
DEEP WASH	Use more water in washing and rinsing.
QUICK WASH	For lightly soiled garments needed quickly.
DELICATES	For sheer fabrics, bras, lingerie, silks, and other handwash-only fabrics. For best results, use liquid detergent.
PERM PRESS	For wash-and-wear, synthetic fabrics, and lightly to normally soiled garments.
ACTIVE WEAR	Use this cycle to wash exercise wear such as sports jerseys, training pants, shirts/tops and other performance clothing. This cycle provides effective soil removal with gentle action for special fabric care.
RINSE + SPIN	Use for loads that need rinsing only or to add rinse-added fabric softener to a load.
SPIN	Drains the water and spins at a high speed.

Washing a load of laundry


Options

Child Lock

Child Lock prevents children from playing with your washer.

Activating the Child Lock function

Press and hold **Spin** and **Soil Level** simultaneously for approximately 3 seconds.

- When you activate the Child Lock function, the  **Child Lock** indicator blinks.

Using the Child Lock function

If the lid is opened when the Child Lock function is on, “**dC**” is displayed and an alarm sounds.

- If the water level in the tub is above the safe water level, “**dC**” is displayed on the LED display and the washer starts to drain water by force after 30 seconds.
- If the water level in the tub is above the safe water level and the Child Lock function is turned on while the door is open, “**CL**” is displayed on the LED display even if the power of the washer is turned off and the washer drains water by force.
- Even if the power of the washer is turned off, if the lid is opened while the water level in the tub is above the Reset water level, “**CL**” is displayed on the LED display without the alarm sounding and the washer starts to drain water. When the draining operation finishes, the power is automatically turned off again.
- You have activated the Child Lock function while the washer is running, the **Start/Pause** button will not work.


- After the compulsory drain, the “**CL**” blinks at 1 second intervals and the product enters the “**CL**” mode. (When the product is in the “**CL**” mode, only the **Power** button works.)
- To cancel the “**CL**” mode, you need to turn the power off and then on again.
- To cancel the “**dC**” mode, deactivate the Child Lock function. To deactivate the Child Lock function, press and hold **Spin** and **Soil Level** simultaneously for at least 3 seconds.

NOTE

Adding laundry when Child Lock is on
To add laundry, deactivate the Child Lock function. To deactivate the Child Lock function, press and hold **Spin** and **Soil Level** simultaneously for at least 3 seconds. See the “**Pause Option**” section on page 38 for additional details.

Deactivating the Child Lock function

Press and hold both **Spin** and **Soil Level** simultaneously for approximately 3 seconds.

- When you deactivate the Child Lock function, the  **Child Lock** indicator is turned off.
- The Child Lock function prevents children or the infirm from accidentally operating the washer and injuring themselves.

WARNING

If a child enters the washer, the child may become trapped and suffocate.

CAUTION

- Once you have activated the Child Lock function, it continues working even if the power is turned off.
- Forcing the lid open can result in injury or damage to the product.


NOTE

To add laundry after you have activated the Child Lock function, you must first deactivate the Child Lock function.

Sound

The Sound Off function can be selected during all cycles.

Garment Plus

You can add or take out laundry items even after the wash has started, as long as the  **Garment Plus** indicator is on. Pressing **Start/Pause** unlocks the lid. If you open the lid and want to continue the wash cycle, close the lid, and then press **Start/Pause**.

NOTE

If you have activated the Child Lock, you must deactivate it first. See page 34.

My Cycle

Lets you save a custom wash cycle (temperature, spin, soil level, etc.) and then recall and use it with one button convenience.

To save a cycle and selected options as your My Cycle, follow these steps:

1. Press **Power**.
2. Select a cycle using the **Cycle Selector**.
3. After cycle selection, set each option.

NOTE

See the “**Cycle chart**” section on page 64 for available option settings with each cycle.

4. You can then store the selected cycle and options by pressing and holding **My Cycle** for longer than 3 seconds. The cycle and options you select will be displayed the next time you choose the My Cycle function.
5. Press **My Cycle** to load and use the saved My Cycle options. The “My Cycle” light will indicate activation. Also, the chosen cycle and option lights will flicker.

Washing a load of laundry

NOTE

You can change the My Cycle settings by repeating the process above. The last saved settings will be displayed the next time you choose the My Cycle function.

NOTE

If you press **My Cycle** and release it within 3 seconds, the previously saved cycle and options appear. If you press and hold **My Cycle** for 3 second or longer, the currently set cycle and options are saved and the LED blinks for 3 seconds.

Delay End

You can set the washer to start your wash automatically at a later time, by choosing a delay time.

The hour displayed indicates the time at which the wash will be ended.

1. Set your wash cycle.
2. Press **Delay End** repeatedly until the delay time is set.
3. Press **Start/Pause**. The “Delay End” indicator will be lit, and the clock will begin counting down until it reaches the set time.
4. To cancel a Delay End function, press the Power button and then turn the washer on again.

Pre Soak

Use this function when the laundry is heavily contaminated or stained. This function improves the wash performance by adding a Pre Soak cycle.

- If you select this function, the total cycle time is increased by 15 minutes.
- When the Pre Soak cycle starts, the washer repeats a wash cycle after supplying water and then performs a 15-minute soak cycle.
- When the Pre Soak cycle is complete, the configured wash cycle starts without draining water.

Eco Plus

This function sets the temperature somewhat lower than the typical washing cycle and extends the wash time slightly. With laundry time slightly extended, it's possible to keep the same level of washing performance with cooler water. This function reduces energy consumption and maintains the quality of the wash.

Mist Shower

Mist Shower sprays water from a nozzle that is independent of the main water supply system. It states that it soaks the laundry with water from the beginning of the rinse cycle and ensures an effective wash, but it's not part of the wash cycle, it's part of the rinse cycle, so this needs to state that it ensures an effective rinse. (The Mist Shower function may not work if there is too large of a load in the machine.)

Smart Care

This function enables you to check the status of the washer using a smartphone.

1. To enable the Smart Care function, press and hold **Pre Soak** for 3 seconds after turning the power on or when an error occurs.

NOTE

The error code history is deleted after you use this function.

2. The Smart Care indicator is lit on the display.
3. Run the Smart Care app on your smart phone.
 - Android: Galaxy S series, Galaxy Note series. (Other devices may not be normal operation).
Supported OS : Android 2.2 or higher
 - iOS: iPhone series
Supported OS : iOS 4.3 or higher

4. Focus your smart phone's camera on the display panel of the washer.
5. If the smart phone's camera is focused on the display panel of the washer, the panel and error message is automatically recognized and the error type and countermeasures are displayed on the smart phone.
6. If the smartphone fails to recognize the error code more than twice, please enter the error code displayed on the display panel of the washer manually into the Smart Care app.

NOTE

Downloading the Smart Care app

- Download the Samsung Laundry App into your mobile phone from the Android market or Apple App store. (Search word : Samsung Smart Washer/Dryer)

NOTE

Precautions when using Smart Care

- If light from a light bulb, fluorescent bulb, or lamp is reflected on the display panel of the washer, the smartphone may not be able to recognize the panel or error message easily.
- If you hold the smartphone at too large an angle relative to the front of the display panel, it may not be able to recognize the error code. For best results, hold the smartphone so that the front of the panel and the smartphone are parallel or nearly parallel.



Washing a load of laundry

Washing clothes using the cycle selector

Your new washer makes washing clothes easy, using Samsung's "Fuzzy Control" automatic control system. When you select a wash program, the machine will set the correct temperature, washing time, and washing speed.

1. Press **Power**.
2. Open the lid.
3. Load the articles of clothing one at a time loosely into the drum, without overfilling it.
4. Add liquid (or powder) detergent, softener, and/or bleach (if necessary) to the appropriate compartments. See the "Detergent use" section on page 42.
5. Close the lid.
6. Use the **Cycle Selector** to select the appropriate cycle according to the type of material: **NORMAL, HEAVY DUTY, STEAM SANITIZE, DEEP WASH, COLORS/DARKS(WA52M7750A*), PERM PRESS, ACTIVE WEAR, SUPER SPEED(WA52M7755A*), BRILLIANT WHITE, BEDDING/WATERPROOF, QUICK WASH, DELICATES, SPIN, and RINSE+SPIN**. The relevant indicators will illuminate on the control panel.
7. At this time, you can control the wash temperature, the number of rinse cycles, the spinning speed, and the delay time by pressing the appropriate option button.
8. Press **Start/Pause** and the wash will begin. The process indicator will light up and the remaining time for the cycle will appear in the display.

Pause Option

To remove or add laundry items, follow these steps:

1. Press **Start/Pause** to unlock the lid.

NOTE

The lid cannot be opened when the water is too HOT.

2. Remove or add laundry items.
3. Close the lid, and then press **Start/Pause** to restart the wash.

NOTE

If you have Child Lock on, you must deactivate it first. See page 34.

When the cycle is finished:

After the total cycle has finished, the power will turn off automatically.

1. Open the lid.
2. Remove laundry.



ATC (Auto Temperature Control)

ATC is the control function that the washer controls water temperature with temperature sensor (thermistor).

NOTE

Because there are numerous water temperatures depending on the customer's environments (cold areas, warm areas, various water temperatures, settings of heater temperature, etc.), ATC function in our washer maintains the certain level of wash temperature to output the best washing performance at each cycle.

NOTE

If you select **NORMAL** cycle, this cycle is the regulation and UL cycle. Since new washers must reduce the amount of energy usage as a first priority, customers will notice more cold water entering the washer. But, this is normal, not a problem. In those regulation cycles, Hot temperature is similar to acceptable adult bath-water temperature and warm temperature is similar to comfortable swimming-pool water temperature.

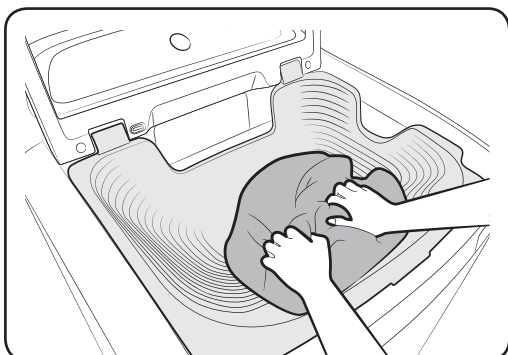
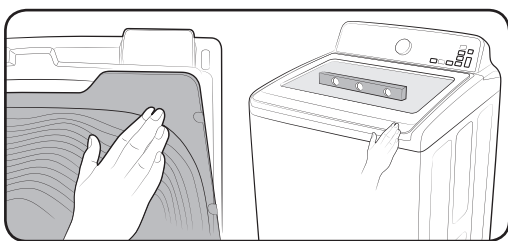
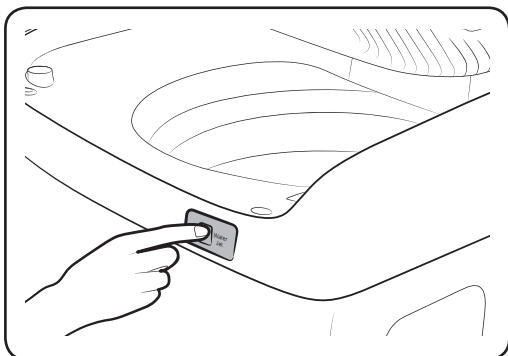
NOTE

If customers want to wash clothes in specific water temperatures, customers should choose a different cycle at each temperature (Hot/Warm/Eco Warm).

Washing a load of laundry

The basics

Prewash (Water Jet & Built-in sink)



Water Jet and Built-in sink help you handwash before the washing machine starts operation. Water Jet is available only when the door is open with the water level set to less than High. For prewashing, use the Built-in sink that is designed to facilitate the hand-wash.

1. With the door open, lower the Built-in sink . To open only the door, press and release the front right corner of the door. **To close and lock both the door and the Built-in sink, press down the door until you hear a clicking sound.**
2. Put clothes to prewash in it.
3. Press Water Jet to supply water to the Built-in sink, and hand-wash.
4. When done, gently lift up the Built-in sink to drain water into the tub.

NOTE

- If you want to hand-wash while the machine is operating, press Start/Pause to stop operation, and then follow steps 1-4 above.
- If you open both the door and the Built-in sink, lower the Built-in sink manually for prewashing.

[Water Jet stops]

- Water Jet stops operation automatically when the washing machine detects the maximum water level.
- Water Jet stops operation automatically 5 minutes after it begins. To add more water, press Water Jet again to resupply water.

[Water Jet drains]

- Select a cycle and press Start/Pause. Then the washing machine drains the water to be used during the prewash.
- When the washing machine is turned off before starting the wash cycle, it drains the water to be used during the prewash. However, when it is turned off during the wash cycle, it does not drain the water.

 **NOTE**

- Water Jet extracts the water through the Mist Shower nozzle for 1 second and then through the Water Jet nozzle from then on when it is first activated after the washing machine turns on.

 **CAUTION**

- Do not abuse Water Jet. Excessive use of Water Jet increases water consumption.
- When running water to the tub, do that gently. Otherwise, water may overflow the tub.
- Use caution when removing laundry from the tub. You may bump your head on the Built-in sink.
- Do not block the outlet of Water Jet with hands. Water may leak outside the tub, causing a system failure.
- Put only clothes to prewash in the Built-in sink. Other items such as shoes, food, or animals can not be used for prewash.
- Do not open the Built-in sink in a hurry. Remaining water in the sink may splash on the door or control panel.
- Due to a difference in air pressure, Water Jet may splash water from its outlet when it is first activated.
- This **lid must be closed tightly** to do the laundry.

Washing a load of laundry

Detergent use



Your washer is designed to use high efficiency (HE) detergents.

- For the best cleaning results, use a high efficiency detergent such as Tide HE, Wisk HE, Cheer HE or Gain HE*. High efficiency detergents contain suds suppressors that reduce or eliminate suds. When fewer suds are produced, the load tumbles more efficiently and cleaning is maximized. (* Brand names are trademarks of their respective manufacturers.)

WARNING

Regular detergent is not recommended. Use HE detergents only.

NOTE

Reducing the amount of detergent may reduce the quality of cleaning. It is important to pre-treat stains, sort carefully by color and soil level, and avoid overloading.

Features

Automatic dispenser

Your washer has separate compartments for dispensing detergent and color-safe bleach and fabric softener. Add all laundry additives to their respective compartments before starting your washer.

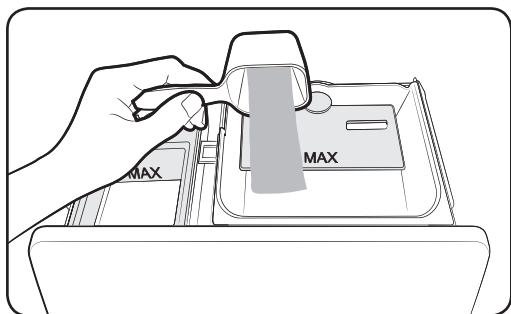
The automatic dispenser must always be in place before you start your washer.

DO NOT open the automatic dispenser when your washer is running.

NOTE

- Never exceed the manufacturer's recommendations when adding detergent.
- This compartment holds liquid detergent for the main wash cycle, which is added to the load at the beginning of the cycle.
- When using powdered detergent, remove the liquid detergent compartment from the detergent drawer. The washer will not dispense powdered detergent from the liquid detergent compartment.

To add detergent to the automatic dispenser:



1. Open the dispenser drawer.
2. Load the recommended amount of liquid (or powder) detergent into the detergent compartment before you start your wash.
3. Close the drawer slowly and smoothly to avoid spilling, splashing, or premature dispensing of the contents.

NOTE

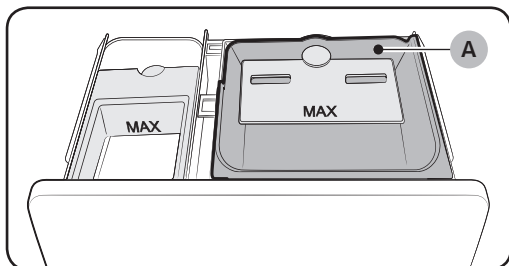
It is normal for a small amount of water to remain in the dispenser compartments at the end of the cycle.

NOTE

Do not put chlorine bleach in the dispenser drawer.

Washing a load of laundry

Loading the Liquid (or Powder) detergent compartment



1. Pour the recommended amount of laundry detergent directly into the detergent compartment before starting your washer.
2. If you are using color-safe bleach, add it with the detergent to the detergent compartment.

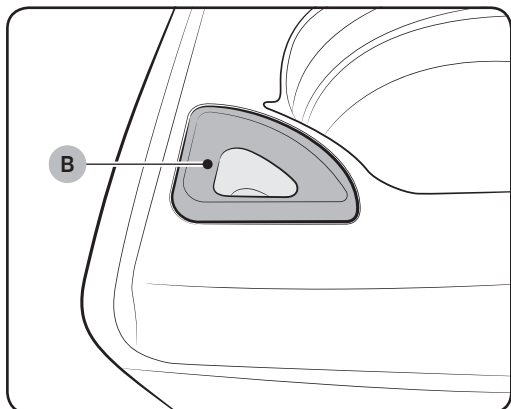
NOTE

When adding color-safe bleach with detergent, it is best if both laundry products are in the same form - liquid.

NOTE

When using powdered detergent, remove the **liquid detergent compartment (A)** from the detergent drawer. The washer will not dispense powdered detergent from the liquid detergent compartment.

Loading the Bleach compartment



CAUTION

Use the liquid chlorine bleach only.

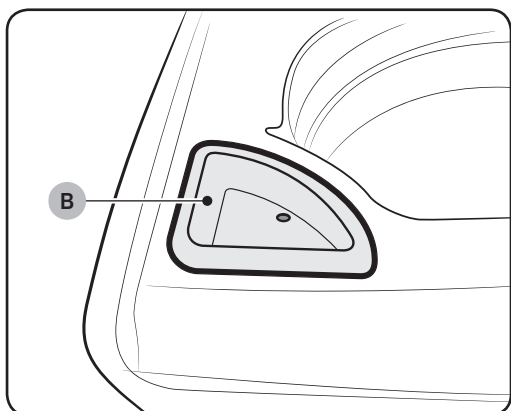
1. Add chlorine bleach to the **bleach compartment (B)**.
DO NOT exceed the MAX FILL line.

NOTE

- Avoid splashing or over-filling the compartment.
 - Your washer automatically dispenses bleach into the tub at the appropriate time.
2. The dispenser automatically dilutes liquid chlorine bleach before it reaches the wash load.
 - Never pour undiluted liquid chlorine bleach directly onto the load or into the tub. It is a powerful chemical and can cause fabric damage, such as weakening of the fibers or color loss, if not used properly.
 - If you prefer to use color-safe, non-chlorine bleach, add it to the appropriate detergent compartment. DO NOT pour color-safe bleach into the Bleach compartment.

Washing a load of laundry

Loading the Bleach compartment



CAUTION

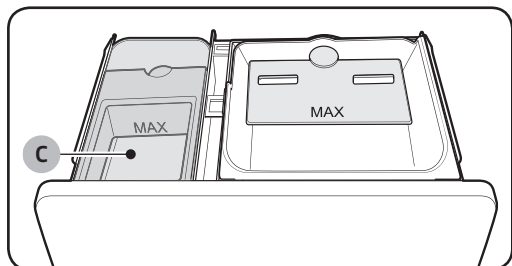
Use the liquid chlorine bleach only.

1. Add chlorine bleach to the **bleach compartment (B)**.
DO NOT exceed the bleach compartment.

NOTE

- Avoid splashing or over-filling the compartment.
- Never pour undiluted liquid chlorine bleach directly onto the load or into the tub. It is a powerful chemical and can cause fabric damage, such as weakening of the fibers or color loss, if not used properly.
- If you prefer to use color-safe, non-chlorine bleach, add it to the appropriate detergent compartment.
DO NOT pour color-safe bleach into the Bleach compartment.

Loading the fabric softener compartment



1. Pour the recommended amount of liquid fabric softener into the **softener compartment (C)**.
For smaller loads, use less than one capful.
2. Dilute the fabric softener with water until it reaches MAX FILL in the compartment.
3. The dispenser automatically releases liquid fabric softener at the proper time during the rinse cycle.

NOTE

- Use the softener compartment **ONLY** for liquid fabric softeners.
- **DO NOT** use the Downy Ball* in the fabric softener compartment with this washer. It will not add fabric softener at the appropriate time.
Use the detergent compartment.
(* Brand names are trademarks of their respective manufacturers.)
- Do not use liquid fabric softener that is too sticky as it may not mix with the water sufficiently.

Maintaining your washer

Cleaning the exterior

1. Turn off the water faucets after finishing the day's washing.
This will shut off the water supply to your washer and prevent the unlikely possibility of damage from escaping water. Leave the lid open to allow the inside of your washer to dry out.
2. Use a soft cloth to wipe up all detergent, bleach or other spills as they occur.
3. Clean the following as recommended:
Control Panel – Clean with a soft, damp cloth. Do not use abrasive powders or cleaning pads. Do not spray cleaners directly on the panel.

Cleaning the interior

Clean the interior of your washer periodically to remove any dirt, soil, odor, mold, mildew, or bacterial residue that may remain in your washer as a result of washing clothes.

Failure to follow these instructions may result in unpleasant conditions, including odors and/or permanent stains on your washer or laundry.

Hard water deposits may be removed, if needed. Use cleaners labeled “Washer safe”.

Storing your washer

Washers can be damaged if water is not removed from hoses and internal components before storage.

Prepare your washer for storage as follows:

1. Select the Quick Wash cycle and add bleach to the automatic dispenser. Run your washer through the cycle without a load.
2. Turn the water faucets off and disconnect the inlet hoses.
3. Unplug your washer from the electrical outlet and leave your washer lid open to let air circulate inside the drum.
If your washer has been stored in below-freezing temperatures, allow time for any leftover water in your washer to thaw out before use.

Preserving the top cover and the front frame

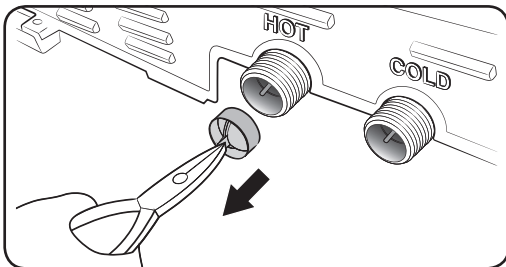
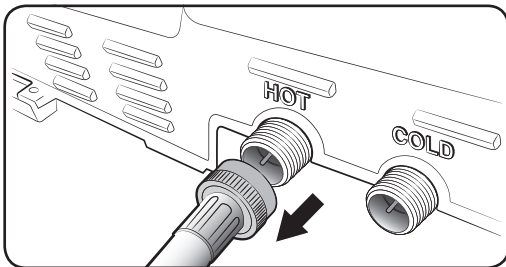
Do not place any heavy or sharp objects or a detergent box on the washer. They can scratch or damage the top cover of the unit.

NOTE

Since the entire washer has a high-gloss finish, the surface can be scratched or damaged. Avoid scratching or damaging the surface when using the washer.

Cleaning mesh filter

Clean the mesh filter of the water hose once or twice a year.

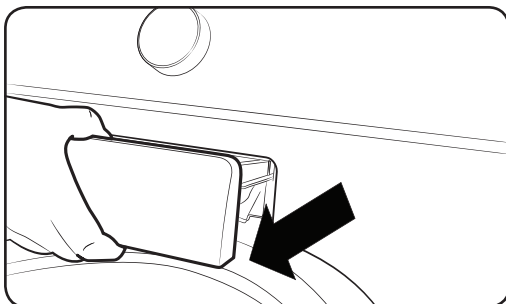


1. Turn off the washer, and then unplug the power cord.
2. Close the faucet.
3. Loosen and disconnect the water hose from the back of the washer. Cover the hose with a cloth to prevent water from gushing out.
4. Use pliers to pull out the mesh filter from the inlet valve.
5. Submerge the mesh filter deeply in water so that the threaded connector is also submerged.
6. Dry the mesh filter completely in a shaded area.
7. Reinsert the mesh filter into the inlet valve, and reconnect the water hose to the inlet valve.
8. Open the faucet.

NOTE

If the mesh filter is clogged, the “4C” information code appears on the the washer’s display screen.

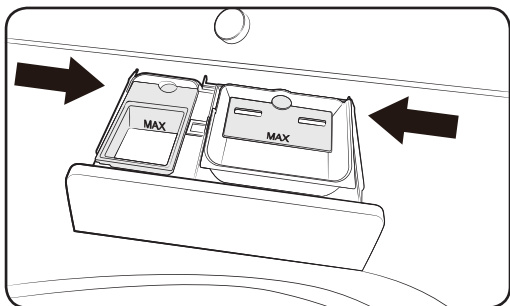
Cleaning the dispensers



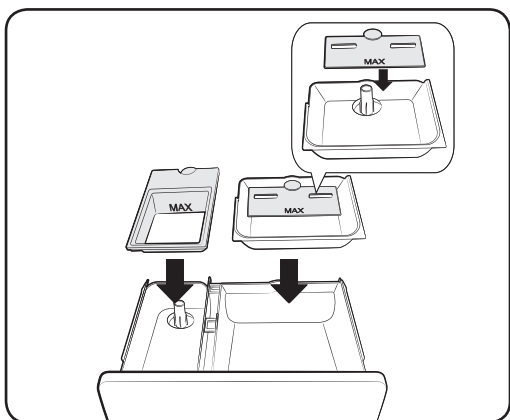
The automatic dispenser may need to be cleaned periodically due to laundry additive buildup.

1. Pull the dispenser drawer straight back until it stops.

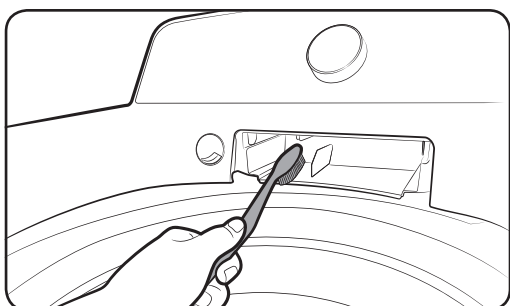
Maintaining your washer



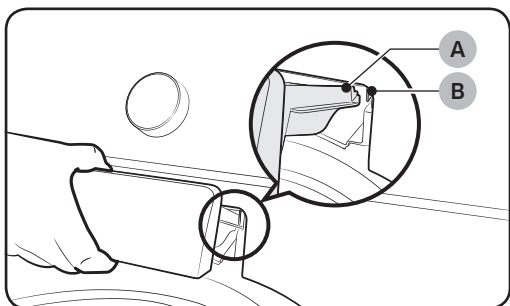
2. Push the ends of each side of the case at the same time.
When you feel the ends push, pull out the dispenser drawer.



3. Remove the inserts from the 3 compartments. Rinse the inserts and the drawer with warm water to remove traces of accumulated laundry products.

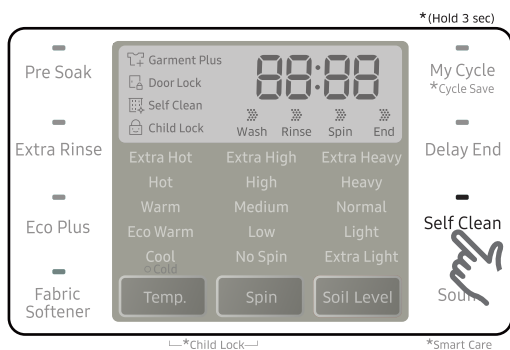


4. To clean the drawer opening, use a small, non-metal brush to clean the recess. Remove all residue from the upper and lower parts of the recess.



5. Return the inserts to the proper compartments and replace the drawer by placing the **dispenser drawer rail (B)** on top of the **compartment rail (A)** (Tilt the dispenser drawer downward and insert it). Then push the drawer in firmly and slowly.

Self Clean



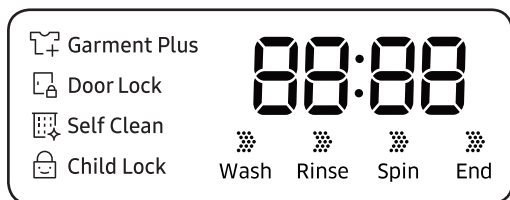
Self Clean is a self-cleaning cycle that removes mold that may occur inside the washer.

1. Press **Power**.
2. Select **Self Clean**.
Once **Self Clean** is selected, the only function that can be set is Delay End.
3. Press **Start/Pause**.
Self Clean begins.

⚠ CAUTION

- Using Self Clean, you can clean the drum without using a cleansing agent.
- Never use Self Clean when laundry is in the washer. This may cause damage to the laundry or a problem with the washer.

Self Clean Auto Indicator function



- If the **Self Clean** indicator is lit after a wash, it indicates that tub (drum) cleaning is required. In this case, remove the laundry from the washer, turn the power on, and clean the drum by running Self Clean.
- If you do not run Self Clean, the **Self Clean** indicator turns off. However, the **Self Clean** indicator will light again after two washes. Not running Self Clean at this point will not cause a problem with the washer.
- Although the **Self Clean** indicator is lit once a month or so, the frequency may differ depending on the number of times the washer is used.

Troubleshooting

Checkpoints

If you encounter a problem with the washer, first check the table below and try the suggestions.

Problem	Action
Does not turn on.	<ul style="list-style-type: none"> • Make sure you use rated power for the product. • Make sure the power cord is completely plugged in. • Check the fuse or reset the circuit breaker.
Does not start.	<ul style="list-style-type: none"> • Make sure the door is closed. • Make sure the water taps are open. • Make sure to press or tap Start/Pause to start the washing machine. • Make sure Child Lock is not activated. • Before the washing machine starts to fill, it will make a series of clicking noises to check the door lock and does a quick drain. • Was the door opened during the spinning cycle? Close the door, and press or tap Start/Pause to resume. • The machine enters Standby or is in a soaking cycle. Please wait. • Check the fuse or reset the circuit breaker
Water is not supplied.	<ul style="list-style-type: none"> • Make sure you press or tap Start/Pause after selecting the water supply. • Make sure the water taps are open. • Is the filter net at the water supply hose connector clogged? Clean the filter net by brushing with a toothbrush. • Is the water supply cut off? If the water supply is cut off, close the tap and power off. • Straighten the water supply hoses. • Open and close the door, then press or tap Start/Pause. • If the water pressure is low, it takes longer to start washing. • If the water level is not as high as necessary or lower than expected, use the level selector to adjust the water level.
After a cycle, detergent remains in the automatic dispenser.	<ul style="list-style-type: none"> • Make sure the washing machine is running with sufficient water pressure. • Make sure the detergent drawer is properly inserted. • Remove and clean the detergent drawer, and then try again.

Problem	Action
Vibrates excessively or makes noise.	<ul style="list-style-type: none"> • Make sure the washing machine is set on a level floor. If the floor is not level, use the levelling feet to adjust the washing machine. • Make sure the washing machine is not contacting any other object. • Make sure the laundry load is balanced. • Make sure the laundry is spread evenly in the washing machine. Spread out the laundry evenly and start again. • Make sure the space around the washing machine is free of objects. • Humming is produced normally during operation. • Objects such as coins can cause noise. Remove these objects from the washing machine after washing is complete.
Stops.	<ul style="list-style-type: none"> • Plug the power cord into a live electrical outlet. • Check the fuse or reset the circuit breaker. • Close the door, and press or tap Start/Pause to start the washing machine. For your safety, the washing machine will not spin unless the door is closed. • Before the washing machine starts to fill, it will make a series of clicking noises to check the door lock and does a quick drain. • There may be a pause or soak period in the cycle. Wait briefly and the washing machine may start. • Make sure the inlet hose screens at the taps are not clogged. Periodically clean the screens. • This problem occurs temporarily due to low voltages, and will be solved when power recovers.

Troubleshooting

Problem	Action
Fills with the wrong temperature water.	<ul style="list-style-type: none"> • Fully open both water taps. • Make sure the temperature selection is correct. • Make sure the hoses are connected to the correct water taps. Flush water lines. • Disconnect the hoses and clean the screens. The hose filter screens may be clogged. • While the washing machine fills, the water temperature may change as the automatic temperature control feature checks incoming water temperature. This is normal. • While the washing machine fills, you may notice just hot and/or just cold water going through the dispenser when cold or warm temperatures are selected. This is a normal function of the automatic temperature control feature as the washing machine determines the water temperature.
Door (Lid) locked or will not open.	<ul style="list-style-type: none"> • While the washing machine is operating, press or tap Start/Pause to stop the washing machine. • It may take a few moments for the door lock mechanism to disengage.
Does not drain and/or spin.	<ul style="list-style-type: none"> • Check the fuse or reset the circuit breaker. • Make sure the electrical voltage is normal. • Make sure the washing machine is plugged in. • Make sure the drain hose is pointed downward. (Natural drain models only) • Make sure the drain hose is not clogged. • Make sure the drain hose is not kinked. • Straighten the drain hose. If there is a drain restriction, call for service. • Close the door, and press or tap Start/Pause. For your safety, the washing machine will not spin unless the door is closed.
Load is wet at the end of the cycle.	<ul style="list-style-type: none"> • Use the High or Extra High spin speed. (Applicable model only) • Use high efficiency (HE) detergent to reduce oversudsing. • Load is too small. Small loads (one or two items) may become unbalanced and not spin completely.

Problem	Action
Leaks water.	<ul style="list-style-type: none"> • Make sure all hose connections are tight. • Make sure the water supply hose's rubber packing is in the correct position. Screw tightly again. • Make sure the end of the drain hose is correctly inserted and secured to the drain system. • Avoid overloading. • Use high efficiency (HE) detergent to prevent oversudsing. • Make sure the water supply hose is not kinked. • If the water supply is too strong, water may leak. Close the water tap a little. • Make sure water is not leaking from the water tap. If so, repair the water tap.
Excessive suds.	<ul style="list-style-type: none"> • Use high efficiency (HE) detergent to prevent oversudsing. • Reduce the detergent amount for soft water, small loads, or lightly soiled loads. • Non-HE detergent is not recommended.
The spin basket or drain/supply hose is frozen.	<ul style="list-style-type: none"> • Use warm water to disconnect the water supply hose and drain hose. Soak them in warm water. • Fill the spin basket with warm water, and then wait for about 10 minutes. • Put a hot towel on the drain hose connector. • Reconnect the water supply hose and drain hose, and check if water is supplied properly.
Water drains out immediately.	<ul style="list-style-type: none"> • Make sure the drain hose is not clogged, and is hung over the drain hose hook. Fill the spin basket halfway with water, and try spinning again. • Lift the end of the drain hose to prevent water from draining. Fill the spin basket halfway with water, and then run spinning after releasing the drain hose. • Make sure the drain hose is installed correctly. See the installation section of this user manual and adjust the position of the drain hose as instructed.


Troubleshooting


Problem	Action
Stains on clothes.	<ul style="list-style-type: none"> Select an appropriate cycle for the laundry. Use the Heavy Duty cycle for stained clothes. Apply a recommended amount of detergent as instructed by the detergent manufacturer. Clean the magic filter (if it comes with your washer) on a regular basis.
Has odours.	<ul style="list-style-type: none"> Excessive suds collect in recesses and can cause foul odours. Run cleansing cycles to sanitize periodically. Dry the washing machine interior after a cycle has finished.

If a problem persists, contact a local Samsung service center.


Information codes

The washer may display information codes to help you understand what is occurring with your washer better.

No	Code	Meaning
1	1C	<p>The WaterLevel sensor is not working properly.</p> <ul style="list-style-type: none"> Check WaterLevel Sensor wire harness. If the information code remains, contact a customer service centre. <p> NOTE</p> <p>When the washer displays “1C”, the washer do draining for 3 minutes. During this time, the Power button is inoperative.</p>
2	3C	<p>Check the motor for operation.</p> <ul style="list-style-type: none"> Try restarting the cycle. If the problem continues, call for service.

No	Code	Meaning
3	4C	<p>Water is not supplied.</p> <ul style="list-style-type: none"> • Make sure the water taps are open. • Make sure the water hoses are not clogged. • Make sure the water taps are not frozen. • Make sure the washing machine is operating with sufficient water pressure. • Make sure that the cold water tap and the hot water tap are properly connected. • Clean the mesh filter as it may be clogged. <p> NOTE</p> <p>When the washer displays “4C”, the washer do draining for 3 minutes. During this time, the Power button is inoperative.</p>
4	4C2	<ul style="list-style-type: none"> • Make sure the cold water supply hose is firmly connected to the cold water tap. <p>If it is connected to the hot water tap, the laundry may be deformed with some cycles.</p>
5	5C	<p>Water is not draining.</p> <ul style="list-style-type: none"> • Make sure the drain hose is not frozen or clogged. • Make sure the drain hose is positioned correctly, depending on the connection type. • Clean the debris filter as it may be clogged. • Make sure the drain hose is straightened all the way to the drain system. • If the information code remains, contact a customer service centre.
6	9C1	<p>The electronic control needs to be checked (Over Voltage Error).</p> <ul style="list-style-type: none"> • Check the PCB and wire harness. • Check if power is supplied properly. • If the information code remains, contact a customer service centre.
7	9C2	<p>Low voltage detected</p> <ul style="list-style-type: none"> • Check if the power cord is plugged in. • If the information code remains, contact a customer service centre.

Troubleshooting

No	Code	Meaning
8	AC6	Inverter Communication problem <ul style="list-style-type: none"> • Check the Inverter PCB and wire harness. • If the information code remains, contact a customer service centre.
9	dC	Operating the washer with the door open. <ul style="list-style-type: none"> • Make sure the door is properly closed. • Make sure laundry is not caught in the door.
10	HC	High temperature heating check. <ul style="list-style-type: none"> • If the information code remains, contact a customer service centre.
11	LC	Check the drain hose. <ul style="list-style-type: none"> • Make sure the end of the drain hose is placed on the floor. • Make sure the drain hose is not clogged. • If the information code remains, contact a customer service centre. <p> NOTE When the washer displays “LC”, the washer do draining for 3 minutes. During this time, the Power button is inoperative.</p>
12	OC	Water is overflowed. <ul style="list-style-type: none"> • Restart after spinning. • If the information code remains on the display, contact a local Samsung service centre.
13	PC	When position of the clutch can't be detected. <ul style="list-style-type: none"> • If the information code remains, contact a customer service centre.
14	PC1	After position of the clutch is detected, if the signal of the clutch hall goes wrong. <ul style="list-style-type: none"> • If the information code remains, contact a customer service centre.

No	Code	Meaning
15	Ub	<p>Spinning does not work.</p> <ul style="list-style-type: none"> • Make sure laundry is spread out evenly. • Make sure the washing machine is on a flat, stable surface. • Redistribute the load. If only one item of clothing needs washing, such as a bathrobe or pair of jeans, the final spin result might be unsatisfactory, and an “Ub” check message will be 1. shown in the display.
16	Ur	<p>Additional rinsing.</p> <ul style="list-style-type: none"> • Show additional rinsing in sensing unbalance. • Method of releasing the display. <p>Any key input.</p>





For any codes not listed above, call 1-800-726-7864 (1-800-SAMSUNG).

Specifications

Fabric care chart

The following symbols provide garment care direction. The clothing care labels include symbols for drying, bleaching, drying and ironing, or dry cleaning when necessary. The use of symbols ensures consistency among garment manufacturers of domestic and imported items. Follow care label directions to optimize garment life and reduce laundering problems.

Wash cycle

	Normal
	Permanent press/Wrinkle resistant/Wrinkle control
	Gentle/Delicates
	Hand wash

Water temperature



...	Hot
..	Warm
.	Cold

NOTE



This represents appropriate wash water temperatures for various items. The temperature range for Hot is 105° - 125 °F / 41° - 52 °C, for Warm 85° - 105 °F / 29° - 41 °C and for Cold 60° - 85 °F / 16° - 29 °C. (Wash water temperature must be a minimum of 60 °F / 16 °C for detergent activation and effective cleaning.)

The clothes washer can not ensure these temperatures because the actual temperature of the water entering your washer depends on water heater settings and regional water supply temperatures. For example, cold water entering the home in the northern states during winter may be 40 °F / 4 °C which is too cold for effective cleaning. In this situation, you will need to adjust the water temperature by selecting a warm setting, adding some hot water to the MAX FILL line, or using your Washer's heating option, if available.



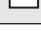
Bleach

	Any bleach (when needed)
	Only non-chlorine (color-safe) bleach (when needed)
	Tumble dry

Normal

	Permanent press/Wrinkle resistant/Wrinkle control
	Gentle/Delicates

Special instructions

	Line dry/Hang to dry
	Drip dry
	Dry flat

Heat setting

	High
	Medium
	Low
	Any heat
	No heat / Air

Dry-clean

	Dry-clean
	Do not dry-clean
	Line dry / Hang to dry
	Drip dry
	Dry flat

Iron dry or steam temperatures

	High
	Medium
	Low

Warning symbols for laundering

	Do not wash
	Do not wring
	Do not bleach
	Do not tumble dry
	No steam (added to iron)
	Do not iron

Specifications

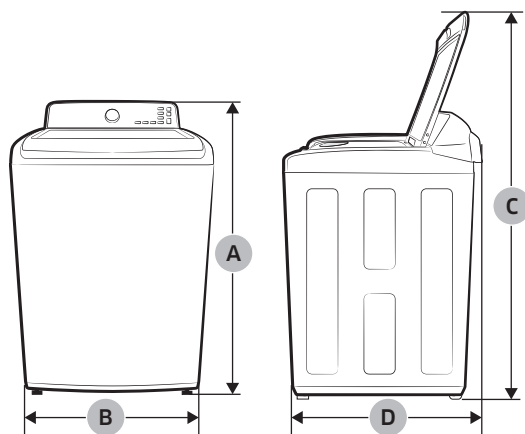
Helping the environment

- Your washer is manufactured from recyclable materials. If you decide to dispose of it, please observe local waste disposal regulations. Cut off the power cord so that the appliance cannot be connected to a power source. Remove the lid so that animals and small children cannot get trapped inside the appliance.
- Do not exceed the detergent quantities recommended in the detergent manufacturers' instructions.
- Use stain removal products and bleaches before the wash cycle only when necessary.
- Save water and electricity by only washing full loads (the exact amount depends upon the program used).

Declaration of conformity

This appliance complies with UL2157.

Specification sheet



Type		Top loading washer	
Model name		WA52M7750A* / WA52M7755A*	
Dimensions (inches (cm))	A. Height	46.0 (116.8)	
	B. Width	27.0 (68.6)	
	C. Height with lid open	59.8 (152.0)	
	D. Depth	29.3 (74.4)	
Water pressure (psi (kPa))		20 - 116 (137 - 800)	
NET weight (kg (lb))		67 (147.7)	
Spin revolution		800 rpm	
Heater rating	Washing	120 V	700 W
	Spin	120 V	400 W
	Drain	120 V	80 W

Specifications

Cycle chart

Use this chart to set the best cycle and options for you laundry.
WA52M7750A*

 **NOTE**

Setting	Temp.	Spin	Soil Level
●: factory setting	EH: Extra Hot	EH: Extra High	EH: Extra Heavy
●: can be selected	H: Hot	H: High	H: Heavy
	W: Warm	M: Medium	N: Normal
	C: Cool	L: Low	L: Light
	CD: Cold	NS: No Spin	EL: Extra Light

Cycle	Temp.						Spin					Soil Level				
	EH	H	W	EW	C	CD	EH	H	M	L	NS	EH	H	N	L	EL
NORMAL	●	●	●	●	●	●	●	●	●	●	●	●	●	●	●	●
HEAVY DUTY		●	●	●	●	●	●	●	●	●	●	●	●	●	●	●
DEEP WASH		●	●	●	●	●	●	●	●	●	●	●	●	●	●	●
DELICATES			●	●	●	●			●	●	●					●
BRILLIANT WHITES		●	●	●	●	●	●	●	●	●	●	●	●	●	●	●
BEDDING/WATERPROOF		●	●	●	●	●		●	●	●	●	●	●	●	●	●
PERM PRESS		●	●	●	●	●	●	●	●	●	●	●	●	●	●	●
QUICK WASH		●	●	●	●	●	●	●	●	●	●	●	●	●	●	●
STEAM SANITIZE	●						●	●	●	●	●	●	●	●	●	●
RINSE+SPIN							●	●	●	●	●					
SPIN							●	●	●	●	●					
ACTIVE WEAR			●	●	●	●		●	●	●	●			●	●	●
COLORS/DARKS			●	●	●	●	●	●	●	●	●	●	●	●	●	●
SELF CLEAN		●						●								

Cycle	Options					
	Pre Soak	Extra Rinse	Eco Plus	Fabric Softener	My Cycle	Delay End
NORMAL	●	●	●	●	●	●
HEAVY DUTY	●	●	●	●	●	●
DEEP WASH	●	●	●	●	●	●
DELICATES		●		●	●	●
BRILLIANT WHITES	●	●	●	●	●	●
BEDDING/WATERPROOF	●	●		●	●	●
PERM PRESS	●	●	●	●	●	●
QUICK WASH		●		●	●	●
STEAM SANITIZE	●	●		●	●	●
RINSE+SPIN		●		●	●	●
SPIN					●	●
ACTIVE WEAR	●	●	●	●	●	●
COLORS/DARKS	●	●	●	●	●	●
SELF CLEAN					●	●

Specifications

Use this chart to set the best cycle and options for you laundry.
WA52M7755A*

NOTE

Setting	Temp.	Spin	Soil Level
●: factory setting	EH: Extra Hot	EH: Extra High	EH: Extra Heavy
●: can be selected	H: Hot	H: High	H: Heavy
	W: Warm	M: Medium	N: Normal
	C: Cool	L: Low	L: Light
	CD: Cold	NS: No Spin	EL: Extra Light

Cycle	Temp.						Spin					Soil Level				
	EH	H	W	EW	C	CD	EH	H	M	L	NS	EH	H	N	L	EL
NORMAL	●	●	●	●	●	●	●	●	●	●	●	●	●	●	●	●
HEAVY DUTY		●	●	●	●	●	●	●	●	●	●	●	●	●	●	●
SUPER SPEED		●	●	●	●	●	●	●	●	●	●	●	●	●	●	●
DEEP WASH		●	●	●	●	●	●	●	●	●	●	●	●	●	●	●
DELICATES			●	●	●	●		●	●	●	●					●
BRILLIANT WHITES		●	●	●	●	●	●	●	●	●	●	●	●	●	●	●
BEDDING/ WATERPROOF		●	●	●	●	●		●	●	●	●	●	●	●	●	●
PERM PRESS		●	●	●	●	●	●	●	●	●	●	●	●	●	●	●
QUICK WASH		●	●	●	●	●	●	●	●	●	●	●	●	●	●	●
STEAM SANITIZE	●						●	●	●	●	●	●	●	●	●	●
RINSE+SPIN							●	●	●	●	●					
SPIN							●	●	●	●	●					
ACTIVE WEAR			●	●	●	●		●	●	●	●			●	●	●
SELF CLEAN		●						●								

Cycle	Options					
	Pre Soak	Extra Rinse	Eco Plus	Fabric Softener	My Cycle	Delay End
NORMAL	●	●	●	●	●	●
HEAVY DUTY	●	●	●	●	●	●
SUPER SPEED		●		●	●	●
DEEP WASH	●	●	●	●	●	●
DELICATES		●		●	●	●
BRILLIANT WHITES	●	●	●	●	●	●
BEDDING/WATERPROOF	●	●		●	●	●
PERM PRESS	●	●	●	●	●	●
QUICK WASH		●		●	●	●
STEAM SANITIZE	●	●		●	●	●
RINSE+SPIN		●		●	●	●
SPIN					●	●
ACTIVE WEAR	●	●	●	●	●	●
SELF CLEAN					●	●

Warranty (U.S.A)

SAMSUNG WASHER

LIMITED WARRANTY TO ORIGINAL PURCHASER

This SAMSUNG brand product, as supplied and distributed by SAMSUNG ELECTRONICS AMERICA, INC. (SAMSUNG) and delivered new, in the original carton to the original consumer purchaser, is warranted by SAMSUNG against manufacturing defects in materials and workmanship for a limited warranty period of:

One (1) year part and labor, Three (3) years stainless tub part (Part Only), Ten (10) years washing DD motor part (Part Only).

This limited warranty begins on the original date of purchase, and is valid only on products purchased and used in the United States. To receive warranty service, the purchaser must contact SAMSUNG for problem determination and service procedures. Warranty service can only be performed by a SAMSUNG authorized service center. The original dated bill of sale must be presented upon request as proof of purchase to SAMSUNG or SAMSUNG's authorized service center. SAMSUNG will provide in-home service during the warranty period at no charge, subject to availability within the contiguous United States. In-home service is not available in all areas.

To receive in-home service, product must be unobstructed and accessible to the service agent. If service is not available, SAMSUNG may elect to provide transportation of the product to and from an authorized service center.

SAMSUNG will repair, replace, or refund this product at our option and at no charge as stipulated herein, with new or reconditioned parts or products if found to be defective during the limited warranty period specified above. All replaced parts and products become the property of SAMSUNG and must be returned to SAMSUNG. Replacement parts and products assume the remaining original warranty, or ninety (90) days, whichever is longer. This limited warranty covers manufacturing defects in materials and workmanship encountered in normal, noncommercial use of this product and shall not apply to the following: damage that occurs in shipment; delivery and installation; applications and uses for which this product was not intended; altered product or serial numbers; cosmetic damage or exterior finish; accidents, abuse, neglect, fire, water, lightning, or other acts of nature or God; use of products, equipment, systems, utilities, services, parts, supplies, accessories, applications, installations, repairs, external wiring or connectors not supplied or authorized by SAMSUNG that damage this product or result in service problems; incorrect electrical line voltage, fluctuations and surges; customer adjustments and failure to follow operating instructions, maintenance and environmental instructions that are covered and prescribed in the instruction book; product removal and reinstallation; problems caused by pest infestations.

This limited warranty does not cover problems resulting from incorrect electric current, voltage or supply, light bulbs, house fuses, house wiring, cost of a service call for instructions, or fixing installation errors. SAMSUNG does not warrant uninterrupted or error-free operation of the product.

EXCEPT AS SET FORTH HEREIN, THERE ARE NO WARRANTIES ON THIS PRODUCT EITHER EXPRESS OR IMPLIED, AND SAMSUNG DISCLAIMS ALL WARRANTIES INCLUDING, BUT NOT LIMITED TO, ANY IMPLIED WARRANTIES OF MERCHANTABILITY, INFRINGEMENT OR FITNESS FOR A PARTICULAR PURPOSE.

NO WARRANTY OR GUARANTEE GIVEN BY ANY PERSON, FIRM, OR CORPORATION WITH RESPECT TO THIS PRODUCT SHALL BE BINDING ON SAMSUNG. SAMSUNG SHALL NOT BE LIABLE FOR LOSS OF REVENUE OR PROFITS, FAILURE TO REALIZE SAVINGS OR OTHER BENEFITS, OR ANY OTHER SPECIAL, INCIDENTAL OR CONSEQUENTIAL DAMAGES CAUSED BY THE USE, MISUSE, OR INABILITY TO USE THIS PRODUCT, REGARDLESS OF THE LEGAL THEORY ON WHICH THE CLAIM IS BASED, AND EVEN IF SAMSUNG HAS BEEN ADVISED OF THE POSSIBILITY OF SUCH DAMAGES.

NOR SHALL RECOVERY OF ANY KIND AGAINST SAMSUNG BE GREATER IN AMOUNT THAN THE PURCHASE PRICE OF THE PRODUCT SOLD BY SAMSUNG AND CAUSING THE ALLEGED DAMAGE.

WITHOUT LIMITING THE FOREGOING, PURCHASER ASSUMES ALL RISK AND LIABILITY FOR LOSS, DAMAGE, OR INJURY TO PURCHASER AND PURCHASER'S PROPERTY AND TO OTHERS AND THEIR PROPERTY ARISING OUT OF THE USE, MISUSE, OR INABILITY TO USE THIS PRODUCT. THIS LIMITED WARRANTY SHALL NOT EXTEND TO ANYONE OTHER THAN THE ORIGINAL PURCHASER OF THIS PRODUCT, IS NONTRANSFERABLE AND STATES YOUR EXCLUSIVE REMEDY.

Some states do not allow limitations on how long an implied warranty lasts, or the exclusion or limitation of incidental or consequential damages, so the above limitations or exclusions may not apply to you. This warranty gives you specific rights, and you may also have other rights, which vary from state to state.

Warranty (U.S.A)

To obtain warranty service, please contact SAMSUNG at:

Samsung Electronics America, Inc.

85 Challenger Road

Ridgefield Park, NJ 07660

1-800-SAMSUNG (726-7864)

www.samsung.com/us/support

Visits by a Service Engineer to explain functions, maintenance or installation is not covered by warranty.

Please contact your Samsung call agent for help with any of these issues.

Warranty (CANADA)

SAMSUNG WASHER

LIMITED WARRANTY TO ORIGINAL PURCHASER

This SAMSUNG brand product, as supplied and distributed by SAMSUNG ELECTRONICS CANADA, INC. (SAMSUNG) and delivered new, in the original carton to the original consumer purchaser, is warranted by SAMSUNG against manufacturing defects in materials and workmanship for a limited warranty period of:

One (1) year part and labor, Ten (10) years washing DD motor (Part only).

This limited warranty begins on the original date of purchase, and is valid only on products purchased and used in the Canada. To receive warranty service, the purchaser must contact SAMSUNG for problem determination and service procedures. Warranty service can only be performed by a SAMSUNG authorized service center. The original dated bill of sale must be presented upon request as proof of purchase to SAMSUNG or SAMSUNG's authorized service center. SAMSUNG will provide in-home service during the warranty period at no charge, subject to availability within the Canada. In-home service is not available in all areas.

To receive in-home service, product must be unobstructed and accessible to the service agent. If service is not available, SAMSUNG may elect to provide transportation of the product to and from an authorized service center.

SAMSUNG will repair, replace, or refund this product at our option and at no charge as stipulated herein, with new or reconditioned parts or products if found to be defective during the limited warranty period specified above. All replaced parts and products become the property of SAMSUNG and must be returned to SAMSUNG. Replacement parts and products assume the remaining original warranty, or ninety (90) days, whichever is longer. This limited warranty covers manufacturing defects in materials and workmanship encountered in normal, noncommercial use of this product and shall not apply to the following: damage that occurs in shipment; delivery and installation; applications and uses for which this product was not intended; altered product or serial numbers; cosmetic damage or exterior finish; accidents, abuse, neglect, fire, water, lightning, or other acts of nature or God; use of products, equipment, systems, utilities, services, parts, supplies, accessories, applications, installations, repairs, external wiring or connectors not supplied or authorized by SAMSUNG that damage this product or result in service problems; incorrect electrical line voltage, fluctuations and surges; customer adjustments and failure to follow operating instructions, maintenance and environmental instructions that are covered and prescribed in the instruction book; product removal and reinstallation; problems caused by pest infestations.

Warranty (CANADA)

This limited warranty does not cover problems resulting from incorrect electric current, voltage or supply, light bulbs, house fuses, house wiring, cost of a service call for instructions, or fixing installation errors. SAMSUNG does not warrant uninterrupted or error-free operation of the product.

EXCEPT AS SET FORTH HEREIN, THERE ARE NO WARRANTIES ON THIS PRODUCT EITHER EXPRESS OR IMPLIED, AND SAMSUNG DISCLAIMS ALL WARRANTIES INCLUDING, BUT NOT LIMITED TO, ANY IMPLIED WARRANTIES OF MERCHANTABILITY, INFRINGEMENT OR FITNESS FOR A PARTICULAR PURPOSE.

NO WARRANTY OR GUARANTEE GIVEN BY ANY PERSON, FIRM, OR CORPORATION WITH RESPECT TO THIS PRODUCT SHALL BE BINDING ON SAMSUNG. SAMSUNG SHALL NOT BE LIABLE FOR LOSS OF REVENUE OR PROFITS, FAILURE TO REALIZE SAVINGS OR OTHER BENEFITS, OR ANY OTHER SPECIAL, INCIDENTAL OR CONSEQUENTIAL DAMAGES CAUSED BY THE USE, MISUSE, OR INABILITY TO USE THIS PRODUCT, REGARDLESS OF THE LEGAL THEORY ON WHICH THE CLAIM IS BASED, AND EVEN IF SAMSUNG HAS BEEN ADVISED OF THE POSSIBILITY OF SUCH DAMAGES.

NOR SHALL RECOVERY OF ANY KIND AGAINST SAMSUNG BE GREATER IN AMOUNT THAN THE PURCHASE PRICE OF THE PRODUCT SOLD BY SAMSUNG AND CAUSING THE ALLEGED DAMAGE. WITHOUT LIMITING THE FOREGOING, PURCHASER ASSUMES ALL RISK AND LIABILITY FOR LOSS, DAMAGE, OR INJURY TO PURCHASER AND PURCHASER'S PROPERTY AND TO OTHERS AND THEIR PROPERTY ARISING OUT OF THE USE, MISUSE, OR INABILITY TO USE THIS PRODUCT. THIS LIMITED WARRANTY SHALL NOT EXTEND TO ANYONE OTHER THAN THE ORIGINAL PURCHASER OF THIS PRODUCT, IS NONTRANSFERABLE AND STATES YOUR EXCLUSIVE REMEDY.

Some provinces do not allow limitations on how long an implied warranty lasts, or the exclusion or limitation of incidental or consequential damages, so the above limitations or exclusions may not apply to you. This warranty gives you specific rights, and you may also have other rights, which vary from province to province.

To obtain warranty service, please contact SAMSUNG at:

Samsung Electronics Canada Inc.

2050 Derry Road West

Mississauga, Ontario L5N 0B9 Canada

1-800-SAMSUNG (726-7864)

www.samsung.com/ca/support (English)

www.samsung.com/ca_fr/support (French)

Visits by a Service Engineer to explain functions, maintenance or installation is not covered by warranty.

Please contact your Samsung call agent for help with any of these issues.

Memo

Memo



Scan the QR code* or visit
www.samsung.com/spsn
 to view our helpful
 How-to Videos and Live Shows

*Requires reader to be installed on your smartphone

Scan this with your smartphone

QUESTIONS OR COMMENTS?

COUNTRY	CALL	OR VISIT US ONLINE AT
U.S.A	1-800-SAMSUNG (726-7864) 1-844-SAM-PAYS (726-7297)	www.samsung.com/us/support
CANADA	1-800-SAMSUNG(726-7864)	www.samsung.com/ca/support (English) www.samsung.com/ca_fr/support (French)
MEXICO	01-800-SAMSUNG(726-7864)	www.samsung.com/mx/support



DC68-03774D-00



Lave-linge

Manuel d'utilisation

WA52M7750A* / WA52M7755A*

SAMSUNG

Sommaire

Consignes de sécurité	4
Remarques importantes sur les consignes de sécurité	4
Symboles de sécurité importants	4
Consignes de sécurité importantes	5
Installation	14
Déballage de votre lave-linge	14
Présentation de votre lave-linge	15
Exigences de base relatives à l'installation	17
Remarque importante à l'intention de l'installateur	21
Installation étape par étape	21
Mode d'emploi	30
Chargement du lave-linge	30
Mise en marche	31
Effectuer un lavage	32
Panneau de commande	32
Présentation des cycles	34
Options	36
Laver du linge à l'aide du sélecteur de programme	41
ATC (Contrôle automatique de la température)	43
Les basiques	44
Utilisation de la lessive	46
Fonctions	47
Entretien de votre lave-linge	52
Nettoyer l'extérieur	52
Nettoyer l'intérieur	52
Entreposage de votre lave-linge	52
Protection du capot supérieur et du panneau avant	53
Nettoyez le filtre fin	53
Nettoyer les bacs	53
Auto-nettoyage	55

Dépannage	57
Contrôles à effectuer	57
Codes d'erreur	61
Caractéristiques techniques	65
Tableau des symboles textiles	65
Respect de l'environnement	67
Déclaration de conformité	67
Fiche de spécifications	68
Tableau des cycles	69

Consignes de sécurité

Félicitations pour l'achat de votre nouveau lave-linge Samsung. Ce manuel contient de précieuses informations concernant l'installation, l'utilisation et l'entretien de votre appareil. Prenez le temps de le lire pour tirer pleinement profit de tous les avantages et de toutes les fonctionnalités de votre lave-linge.

Remarques importantes sur les consignes de sécurité

Veuillez lire attentivement ce manuel afin d'utiliser cet appareil en toute sécurité et de profiter pleinement de toutes ses fonctionnalités. Conservez ce manuel dans un endroit sûr situé à proximité de l'appareil afin de pouvoir facilement vous y reporter en cas de besoin. N'utilisez pas cet appareil autrement que pour l'usage auquel il est destiné, conformément aux consignes du manuel.

Les consignes de sécurité et les avertissements décrits dans ce manuel ne sont pas exhaustifs. Il est de votre responsabilité de faire preuve de bon sens, de prudence et de discernement lors de l'installation, de l'entretien ou de l'utilisation de votre lave-linge. Ces consignes d'utilisation couvrant plusieurs modèles, il se peut que les caractéristiques de votre lave-linge diffèrent légèrement de celles décrites dans ce manuel ; ainsi, certaines icônes d'avertissement peuvent ne pas s'appliquer à votre machine. Pour toute question, contactez votre centre de réparation le plus proche ou connectez-vous sur www.samsung.com.

Symboles de sécurité importants

Signification des icônes et signes repris dans ce manuel d'utilisation :

AVERTISSEMENT

Risques ou pratiques inadaptées susceptibles de causer des blessures graves, la mort et/ou des dommages matériels.

ATTENTION

Risques ou pratiques inadaptées susceptibles de causer des blessures et/ou des dommages matériels.

REMARQUE

Indique qu'il existe un risque de blessures ou de dommages matériels.

CONSERVEZ SOIGNEUSEMENT CES CONSIGNES

Ces symboles d'avertissement ont pour but d'éviter tout risque de blessure corporelle. Respectez-les en toutes circonstances.

Lisez attentivement ce manuel et conservez-le en lieu sûr afin de pouvoir le consulter ultérieurement.

Lisez attentivement toutes les consignes avant d'utiliser l'appareil.

Comme avec tout équipement électrique ou comportant des parties mobiles, il existe un certain nombre de dangers potentiels. Pour utiliser cet appareil en toute sécurité, familiarisez-vous avec son fonctionnement et restez prudent lorsque vous l'employez.

AVERTISSEMENT

Avertissement concernant la proposition 65 de l'État de la Californie (États-Unis uniquement)

Cet appareil contient des produits chimiques connus de l'État de la Californie pour causer le cancer et des anomalies congénitales ou des effets nocifs sur la reproduction.

Consignes de sécurité importantes

AVERTISSEMENT

Afin de réduire les risques d'incendie, d'électrocution ou de blessures physiques lors de l'utilisation de l'appareil, des précautions de base doivent être prises :

1. Lisez toutes les consignes de sécurité avant d'utiliser l'appareil.
2. Ne lavez et ne faites sécher aucun article ayant été en contact de quelque manière que ce soit (nettoyage, lavage, immersion ou tache) avec de l'essence, des solvants de nettoyage à sec ou toute autre substance inflammable ou explosive. Ces substances dégagent en effet des vapeurs qui risquent de s'enflammer ou d'exploser.
3. Ne laissez pas les enfants jouer sur ou dans l'appareil. Une surveillance attentive s'impose lorsque l'appareil est utilisé à proximité d'enfants.
4. Avant la mise hors service ou au rebut de l'appareil, retirez le couvercle du compartiment de lavage ou de séchage.
5. Ne tentez pas d'ouvrir l'appareil lorsque le tambour est en mouvement.
6. N'installez et n'entrez jamais cet appareil dans un endroit exposé aux intempéries.
7. N'utilisez pas les commandes du lave-linge inutilement.
8. Ne procédez pas à la réparation ou au remplacement des pièces de l'appareil et ne tentez pas non plus de le réparer vous-même, sauf si le manuel d'entretien ou de réparation contient des recommandations spécifiques en la matière que vous comprenez et êtes en mesure d'exécuter.
9. N'ajoutez jamais d'essence, de solvant de nettoyage à sec ou d'autres substances inflammables ou explosives dans l'eau du lave-linge. Ces substances dégagent en effet des vapeurs qui risquent de s'enflammer ou d'exploser.

CONSERVEZ SOIGNEUSEMENT CES CONSIGNES

Consignes de sécurité

- 10.** Dans certaines conditions, de l'hydrogène peut s'accumuler dans les systèmes de production d'eau chaude qui n'ont pas été utilisés depuis au moins deux semaines. L'HYDROGÈNE EST UN GAZ EXPLOSIF. Si votre réseau d'eau chaude n'a pas été utilisé pendant au moins 2 semaines, ouvrez tous les robinets d'eau chaude de votre maison et laissez l'eau couler plusieurs minutes avant d'utiliser votre lave-linge ou votre lave-linge/sèche linge combiné. Cela permettra d'éliminer l'éventuelle accumulation d'hydrogène. L'hydrogène étant un gaz inflammable, ne fumez pas et ne créez aucune flamme ni étincelle pendant cette opération.

Avertissements importants concernant l'installation

AVERTISSEMENT

Branchez le cordon d'alimentation sur une prise murale de 120 V CA / 60 Hz de 15 A minimum. Ne branchez que cet appareil sur cette prise. N'utilisez pas de rallonge.

- Le fait de partager une prise murale avec d'autres appareils à l'aide d'une multiprise ou d'une rallonge peut entraîner des chocs électriques ou des incendies.
- N'utilisez pas de transformateur électrique. Il pourrait entraîner un incendie ou un choc électrique.
- Assurez-vous que la tension, la fréquence et le courant sont conformes aux spécifications de l'appareil. Le non-respect de cette consigne peut entraîner des chocs électriques ou des incendies.

Cet appareil doit être installé par un technicien qualifié ou un centre de réparation agréé.

- Le non-respect de cette consigne peut entraîner des chocs électriques, des incendies, une explosion, des problèmes avec le produit ou des blessures.

Éliminez régulièrement toute eau, poussière ou corps étranger des prises murales et zones de contact à l'aide d'un chiffon sec.

- Débranchez le cordon d'alimentation et nettoyez-le à l'aide d'un chiffon sec.
- Le non-respect de cette consigne peut entraîner des chocs électriques ou des incendies.

CONSERVEZ SOIGNEUSEMENT CES CONSIGNES

Branchez le cordon d'alimentation dans la prise murale dans le bon sens, de sorte que le cordon soit dirigé vers le sol.

- Si vous branchez le cordon d'alimentation dans l'autre sens, les fils électriques à l'intérieur du câble pourront être endommagés, entraînant un risque de choc électrique ou d'incendie.

Cet appareil doit être correctement mis à la terre.

Ne reliez pas le conducteur de terre de l'appareil à un tuyau de gaz, un tuyau de canalisation en plastique ou une ligne téléphonique.

- Une mise à la terre incorrecte pourrait causer des chocs électriques, des incendies, une explosion ou des problèmes avec le produit.
- Ne branchez jamais le cordon d'alimentation sur une prise qui n'est pas correctement mise à la terre. Vérifiez que la prise utilisée est mise à la terre conformément aux normes locales et nationales.

N'installez jamais cet appareil près d'un radiateur ou de matériaux inflammables.

N'installez pas cet appareil dans un endroit humide, huileux ou poussiéreux, dans un endroit exposé directement au soleil ou à l'eau (de pluie).

N'installez pas l'appareil dans un lieu où une fuite de gaz est susceptible de se produire.

- Cela pourrait entraîner un choc électrique ou un incendie.

Branchez correctement le cordon d'alimentation dans la prise murale. N'utilisez pas de prise ou de cordon d'alimentation endommagé(e) ou de prise murale mal fixée.

- Cela pourrait entraîner un choc électrique ou un incendie.

Ne tirez pas et ne pliez pas excessivement le cordon d'alimentation.

Ne vrillez pas et n'attachez pas le cordon d'alimentation.

N'accrochez pas le cordon d'alimentation sur un objet métallique, ne posez pas d'objet lourd sur le cordon d'alimentation, ne l'insérez pas entre des objets et ne le coincez pas dans l'espace situé derrière l'appareil.

- Cela pourrait entraîner un choc électrique ou un incendie.

Ne tirez pas sur le cordon d'alimentation pour le débrancher.

- Débranchez le cordon en tenant la prise.
- Le non-respect de cette consigne peut entraîner des chocs électriques ou des incendies.

Si la prise ou le cordon d'alimentation est endommagé(e), contactez le centre de réparation le plus proche.

CONSERVEZ SOIGNEUSEMENT CES CONSIGNES

Consignes de sécurité

Mises en garde pour l'installation

ATTENTION

Positionnez l'appareil de telle sorte que la prise reste facilement accessible.

- Le non-respect de cette consigne peut entraîner un choc électrique en cas de fuites de courant.

Installez l'appareil sur un sol plan et dur, capable de supporter son poids.

- Le non-respect de cette consigne peut entraîner des vibrations et des bruits anormaux ou des problèmes avec l'appareil.

Débranchez la prise d'alimentation lorsque l'appareil n'est pas utilisé pendant des périodes prolongées ou lors d'orages violents.

- Le non-respect de cette consigne peut entraîner des chocs électriques ou des incendies.

Avertissements importants concernant l'utilisation

AVERTISSEMENT

En cas d'inondation, coupez immédiatement l'alimentation électrique et contactez votre centre de réparation le plus proche.

Si l'appareil émet des bruit anormaux ou dégage une odeur de brûlé ou de la fumée, débranchez-le immédiatement et contactez votre centre de réparation le plus proche.

- Le non-respect de cette consigne peut entraîner des chocs électriques ou des incendies.

En cas de fuite de gaz (propane, gaz LP, etc.) ventilez immédiatement la zone. Aucun appareil ni aucune lumière ne doivent être allumés ou éteints.

- N'utilisez pas de ventilateur.
- Une étincelle peut entraîner une explosion ou un incendie.

Ne lavez jamais de linge ayant été en contact avec de l'essence, du kérosène, du benzène, des diluants de peinture ou toute autre substance inflammable ou explosive.

- Risque de choc électrique, d'incendie ou d'explosion.

Ne forcez pas l'ouverture du couvercle pendant le fonctionnement du lave-linge (lavage à haute température/séchage/essorage).

CONSERVEZ SOIGNEUSEMENT CES CONSIGNES

- Une fuite d'eau peut causer des brûlures ou rendre le sol glissant. Cela pourrait entraîner des blessures.
- Le forçage du couvercle peut endommager l'appareil ou causer des blessures.

Assurez-vous de retirer l'emballage (mousse, polystyrène) fixé au bas du lave-linge avant d'utiliser celui-ci.

N'insérez pas votre main sous le lave-linge.

- Cela pourrait entraîner des blessures.

Ne touchez pas la prise d'alimentation avec des mains mouillées.

- Cela pourrait entraîner un choc électrique.

Ne débranchez pas l'appareil si celui-ci est en cours de fonctionnement.

- Le fait de rebrancher la prise d'alimentation dans la prise murale peut provoquer une étincelle et entraîner un choc électrique ou un incendie.

Conservez tous les matériaux d'emballage hors de portée des enfants ; les matériaux d'emballage présentent des dangers pour les enfants.

- Si un enfant met un sac en plastique sur sa tête, il risque de s'asphyxier.

Ne laissez pas les enfants ou des personnes handicapées utiliser ce lave-linge sans surveillance.

- Risque de choc électrique, de brûlure ou d'incendie.

N'insérez pas votre main ou un objet métallique sous le lave-linge pendant son fonctionnement.

- Cela pourrait entraîner des blessures.

Ne tentez pas de réparer, de démonter ou de modifier l'appareil vous-même.

- N'utilisez pas de fusible (cuivre, fil d'acier, etc.) autres que le fusible standard.
- Si l'appareil a besoin d'être réparé ou réinstallé, contactez le centre de réparation le plus proche.
- Le non-respect de cette consigne peut entraîner des chocs électriques, des incendies, des problèmes avec le produit ou des blessures.

Si une substance étrangère telle que de l'eau pénètre dans une partie autre que le tambour de l'appareil, débranchez-le et contactez le centre de réparation le plus proche.

- Le non-respect de cette consigne peut entraîner des chocs électriques ou des incendies.

CONSERVEZ SOIGNEUSEMENT CES CONSIGNES

Consignes de sécurité

Si le tuyau d'arrivée d'eau se déconnecte du robinet et inonde l'appareil, débranchez le lave-linge.

- Le non-respect de cette consigne peut entraîner des chocs électriques ou des incendies.

Mises en garde concernant l'utilisation

ATTENTION

Si le lave-linge est contaminé par des corps étrangers (ex. : détergent, saletés, déchets alimentaires etc.), débranchez-le et nettoyez-le à l'aide d'un chiffon doux humide.

- À défaut, une décoloration, une déformation, des dommages ou de la rouille peuvent apparaître.

La partie transparente du couvercle peut se casser en cas d'impact. Utilisez le lave-linge avec précaution.

- Si la partie transparente du hublot est fissurée ou cassée, il existe un risque de blessure.

Après une interruption d'arrivée d'eau ou en rebranchant le tuyau d'arrivée d'eau au robinet, ouvrez celui-ci lentement.

Ouvrez le robinet d'arrivée d'eau lentement après une période prolongée de non-utilisation.

- La pression d'air dans le tuyau d'arrivée d'eau ou la canalisation d'eau peut entraîner des dommages à certaines pièces ou une fuite d'eau.

En cas de vidange défectueuse durant un programme, vérifiez s'il y a un problème de vidange.

- En cas d'inondation (problème de vidange), il existe un risque de choc électrique ou d'incendie.

N'insérez pas votre main sous le lave-linge.

- Cela pourrait entraîner des blessures.

Introduisez complètement le linge dans le lave-linge afin qu'il ne reste pas coincé dans le couvercle.

- Si du linge reste coincé dans le couvercle, il peut être endommagé, ainsi que le lave-linge, ou une fuite d'eau peut survenir.

Assurez-vous que le robinet est fermé lorsque le lave-linge n'est pas utilisé.

- Assurez-vous que les raccords du tuyau d'arrivée d'eau sont correctement serrés.

CONSERVEZ SOIGNEUSEMENT CES CONSIGNES

- Le non-respect de cette consigne peut entraîner des dommages matériels et des blessures.

Ouvrez le robinet et vérifiez que le raccord du tuyau d'arrivée d'eau est fermement serré et qu'il n'y a aucune fuite d'eau avant d'utiliser l'appareil.

- Si les raccords du tuyau d'arrivée d'eau sont desserrés, des fuites peuvent se produire.

Ne montez pas sur l'appareil et ne placez pas d'objets (tels que linge, bougies allumées, cigarettes allumées, vaisselle, produits chimiques, objets métalliques, etc.) sur l'appareil.

- Cela pourrait causer des chocs électriques, des incendies, des problèmes avec l'appareil ou des blessures.

Ne faites pas fonctionner l'appareil avec des mains mouillées.

- Cela pourrait entraîner un choc électrique.

Ne pulvérisez pas de matières volatiles telles que de l'insecticide sur la surface de l'appareil.

- En plus d'être nocives pour l'être humain, elles peuvent également entraîner des chocs électriques, des incendies ou des problèmes avec l'appareil.

Ne placez pas d'objet générant un champ électromagnétique à proximité du lave-linge.

- Ceci pourrait entraîner des blessures résultant de dysfonctionnements.

L'eau vidangée durant un programme de séchage ou de lavage à haute température étant chaude, ne touchez pas cette eau.

- Cela pourrait entraîner des brûlures ou des blessures.

Pour les tissus imperméables, utilisez uniquement le cycle WATERPROOF (IMPERMÉABLE).

- N'utilisez aucun autre cycle pour les tissus imperméables.
Risque de vibrations anormales, de blessures ou de dégâts matériels (lave-linge, murs, sol ou linge).
- Réglez la température et l'essorage en fonction de l'étiquette attachée sur les vêtements.

Ne faites jamais fonctionner le lave-linge sans le distributeur de lessive.

- Ceci pourrait entraîner un choc électrique ou des blessures résultant de la fuite d'eau.

N'introduisez pas votre main dans le distributeur de lessive après l'avoir ouvert.

- Cela pourrait entraîner des blessures car vous risquez de vous faire prendre la main.

Ne placez pas d'objets (ex. : chaussures, déchets alimentaires ou animaux) autres que du linge dans le lave-linge.

- Risque de vibrations anormales et d'endommagement ; danger de mort pour les animaux.

CONSERVEZ SOIGNEUSEMENT CES CONSIGNES

Consignes de sécurité

N'actionnez pas les boutons à l'aide d'objets tranchants tels que des aiguilles, des couteaux, les ongles etc.

- Cela pourrait entraîner un choc électrique ou des blessures.

Ne lavez pas de linge entré en contact avec des huiles, crèmes ou lotions utilisées dans les salons de beauté ou de massage.

- Ceci pourrait provoquer une déformation du joint en caoutchouc, entraînant des fuites d'eau.

Ne laissez pas d'objets métalliques (ex. : épingles de sûreté, à cheveux, etc.) dans le tambour ; ne laissez pas d'agent de blanchiment dans le tambour pendant des périodes prolongées.

- Ceci pourrait entraîner l'apparition de rouille sur le tambour.
- Si de la rouille apparaît sur la surface du tambour, appliquez un produit de nettoyage neutre et frottez à l'aide d'une éponge. N'utilisez jamais de brosse métallique.

N'utilisez pas directement de solvants de nettoyage à sec dans le tambour et ne lavez, ne rincez et n'essorez pas de linge entré en contact avec des solvants de nettoyage à sec.

- Risque de combustion ou d'inflammation spontanée résultant de la chaleur dégagée par l'oxydation de l'huile.

N'utilisez pas d'eau chaude provenant d'appareils de refroidissement/de réchauffement d'eau.

- Ceci pourrait entraîner des dysfonctionnements du lave-linge.

N'utilisez pas de savon pour les mains dans le lave-linge.

- Risque de dysfonctionnement, de décoloration, d'oxydation ou de dégagement de mauvaises odeurs.

Ne lavez pas d'articles de grande taille tels que du linge de lit dans un filet de lavage.

- Dans le cas contraire, des vibrations anormales peuvent engendrer des blessures.
- Placez les plus petits objets, tels que des chaussettes délicates et de la lingerie, dans le filet de lavage.

N'utilisez pas de détergent solidifié.

- S'il s'accumule dans le lave-linge, des fuites d'eau peuvent en résulter.

Ne lavez pas les lingettes jetables ou les paillasons.

- Le sable risquerait de s'accumuler à l'intérieur du lave-linge. Les performances de certaines fonctions s'en trouveraient altérées (ex. : essorage).

CONSERVEZ SOIGNEUSEMENT CES CONSIGNES

Avertissements importants concernant le nettoyage

AVERTISSEMENT

Ne nettoyez pas l'appareil en pulvérisant directement de l'eau dessus.

N'utilisez pas de produit nettoyant agressif.

N'utilisez pas de benzène, de diluant ou d'alcool pour nettoyer l'appareil.

- Cela pourrait entraîner des décolorations, des déformations, des dommages, des chocs électriques ou un incendie.

Avant d'effectuer un nettoyage ou un entretien, débranchez le cordon d'alimentation de la prise murale.

- Le non-respect de cette consigne peut entraîner des chocs électriques ou des incendies.

CONSERVEZ SOIGNEUSEMENT CES CONSIGNES

Installation

Suivez attentivement ces instructions afin de garantir la bonne installation du lave-linge et d'éviter des accidents lors de son utilisation.

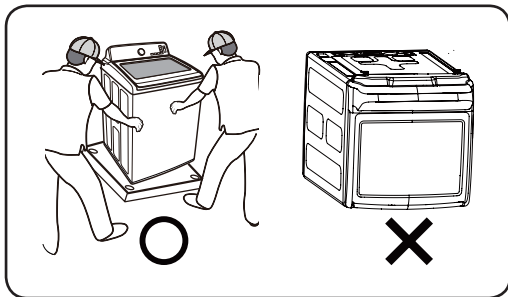
Déballage de votre lave-linge

Déballiez votre lave-linge et vérifiez qu'il n'a pas été endommagé pendant le transport. Vérifiez que vous disposez de tous les éléments illustrés ci-dessous. Si votre lave-linge a été endommagé pendant le transport ou si vous ne disposez pas de tous les éléments, appelez immédiatement le 1-800-SAMSUNG (1-800-726-7864).

Afin de prévenir tout risque de blessures, munissez-vous de gants de protection pour soulever ou porter le lave-linge.

AVERTISSEMENT

Tenez tous les matériaux d'emballage (sacs plastique, polystyrène, etc.) hors de portée des enfants.



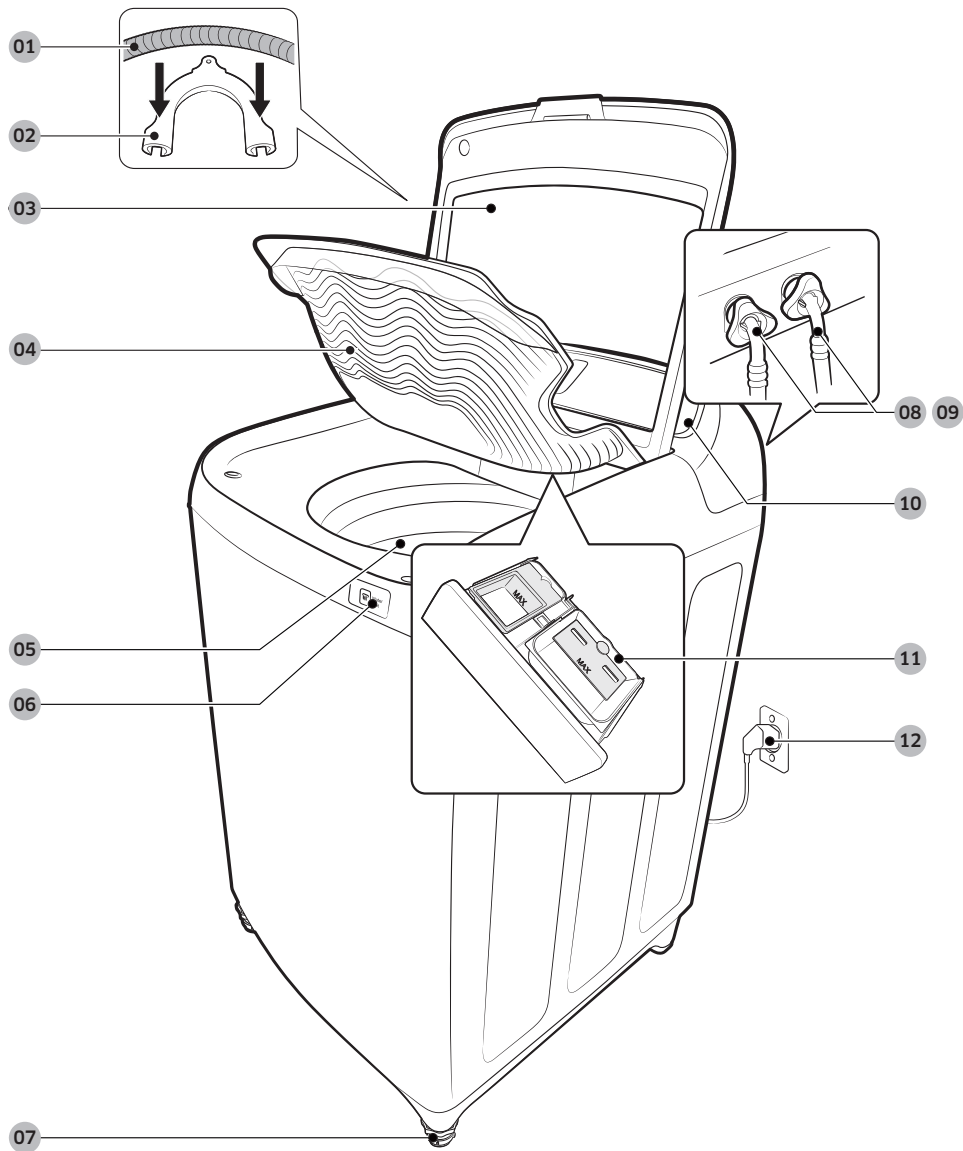
ATTENTION

Lors du déballage du lave-linge, il est nécessaire d'être 2. Pour retirer le cache du bas des matériaux d'emballage, il est strictement interdit de renverser l'appareil en avant.

Lorsque vous posez la machine à laver et retirez la base de carton, il faut protéger le côté de la machine et posez-le soigneusement. Ne posez jamais votre machine à laver sur le dos ou l'avant.

Présentation de votre lave-linge

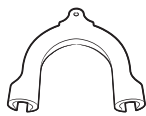
Assurez-vous que toutes les pièces sont incluses dans l'emballage de l'appareil. Si vous rencontrez un problème avec le lave-linge ou les pièces, contactez un centre d'assistance clientèle Samsung local ou le magasin.



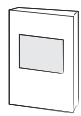
Installation

- | | | |
|-------------------------------|-------------------------------------|---------------------------------|
| 01 Tuyau de vidange | 02 Guide du tuyau de vidange | 03 Couvercle |
| 04 Évier intégré | 05 Tambour | 06 Jet d'eau |
| 07 Pieds réglables | 08 Tuyau d'eau (Froid) | 09 Tuyau d'eau (Chaud) |
| 10 Panneau de commande | 11 Tiroir à lessive | 12 Cordon d'alimentation |

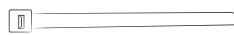
Pièces fournies



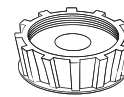
Guide du tuyau de vidange



Manuel d'utilisation

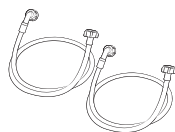


Attache en plastique pour tuyau



Bouchon de l'arrivée d'eau

Pièces non fournies



Tuyaux d'arrivée d'eau

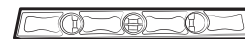
Outils requis pour l'installation



Clé anglaise



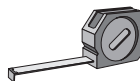
Tournevis plat



Dispositif de mise à niveau



Pince réglable



Mètre ruban

REMARQUE

- Si vous perdez un accessoire et souhaitez en acquérir un neuf, appelez le centre de service Samsung (1-800-SAMSUNG (1-800-726-7864)).
- La conception des pièces et accessoires ci-dessus peut varier sur votre modèle. Leur conception est susceptible d'être modifiée sans préavis en vue d'améliorer le produit.
- Ne réutilisez jamais de tuyaux usagés. Utilisez uniquement des tuyaux d'arrivée d'eau neufs lors de l'installation du lave-linge. Les tuyaux d'arrivée d'eau usagés sont susceptibles de fuir ou de se rompre et de provoquer une inondation et des dommages matériels.
- Vérifiez la présence des rondelles en caoutchouc situées à l'intérieur de chaque raccord des tuyaux d'arrivée d'eau.

Exigences de base relatives à l'installation

Electricité

- Fusible ou disjoncteur 120 V, 60 Hz, 15 A.
- Il est recommandé de relier votre lave-linge à un circuit distinct.
- Votre lave-linge est muni d'un cordon d'alimentation.

ATTENTION

N'utilisez jamais de rallonge.

Mise à la terre

Cet appareil requiert une mise à la terre.

Cet appareil doit être mis à la terre. En cas de panne ou de défaillance, la mise à la terre réduit le risque d'électrocution en fournissant au courant électrique un trajet de moindre résistance.

Cet appareil est équipé d'un cordon doté d'une prise à 3 broches, dont une de terre, destinée à être branchée sur une prise murale correctement installée et reliée à la terre.

La prise doit être branchée sur une prise secteur appropriée, correctement installée et mise à la terre conformément aux dispositions et aux réglementations en vigueur.

AVERTISSEMENT

Un conducteur de mise à la terre connecté de manière incorrecte peut augmenter le risque d'électrocution. En cas de doute, demandez à un électricien qualifié ou à un réparateur de vérifier si l'appareil est correctement mis à la terre. Ne modifiez pas la prise fournie avec l'appareil ; si elle n'est pas adaptée à la prise murale, faites appel à un électricien qualifié pour installer une prise appropriée.

Consignes de sécurité importantes

Afin d'éviter tout risque d'incendie, d'électrocution ou de blessure, il est essentiel que le câblage et la mise à la terre soient réalisés conformément aux spécifications de la NEC (National Electrical Code) ANSI/FNPA n°70 dernière révision ainsi qu'aux réglementations et ordonnances locales. L'utilisation d'une alimentation électrique adaptée à cet appareil relève de la responsabilité de son propriétaire.

ATTENTION

Ne reliez jamais un conducteur de terre à une conduite de plomberie en plastique, une conduite de gaz ou une conduite d'eau chaude.

Eau

L'eau doit arriver à une pression de 20 à 116 psi (137 à 800 kPa) pour que le lave-linge puisse se remplir dans les délais nécessaires.

Installation

Une pression d'eau inférieure à 20 psi peut provoquer une panne de la soupape d'admission d'eau et l'empêcher de se fermer correctement, ou augmenter la durée de remplissage au-delà de celle autorisée par le régulateur du lave-linge, entraînant l'arrêt de ce dernier. Un limiteur de durée de remplissage est intégré aux commandes afin d'éviter toute inondation en cas de défaillance d'un tuyau.

Les robinets d'arrivée d'eau doivent se trouver à moins de 4 pieds (122 cm) de l'arrière de votre lave-linge afin de pouvoir y raccorder les tuyaux fournis avec celui-ci.

REMARQUE

Il existe des tuyaux d'arrivée d'eau allant jusqu'à 10 pieds (275 cm) de long pour les robinets se trouvant à une trop grande distance de votre lave-linge.

Pour prévenir les risques de dégât des eaux :

- Faites en sorte que les robinets d'arrivée d'eau soient facilement accessibles.
- Fermez les robinets d'arrivée d'eau lorsque vous n'utilisez pas le lave-linge.
- Vérifiez régulièrement l'absence de fuite au niveau des raccords des tuyaux d'arrivée d'eau.

AVERTISSEMENT

Vérifiez l'absence de fuite au niveau de tous les raccords de la vanne d'eau et du robinet.

Système de vidange

La hauteur recommandée de la conduite d'évacuation est de 39 pouces (99 cm). Fixez le tuyau de vidange à la pince prévue à cet effet, puis introduisez-le dans le tuyau d'évacuation mural. Le tuyau d'évacuation doit être suffisamment large pour accueillir le tuyau de vidange du lave-linge. Le tuyau de vidange est fixé au lave-linge en usine.

Sol

Pour un fonctionnement optimal, vous devez installer votre lave-linge sur un sol stable. Si le sol est en bois, il est préférable de le renforcer afin de réduire les vibrations et/ou problèmes de déséquilibre. La présence de moquette ou de surfaces molles peut entraîner des vibrations susceptibles de provoquer un léger déplacement de votre lave-linge durant l'essorage. N'installez jamais votre lave-linge sur une plate-forme ou sur une structure instable.

Choix de l'emplacement d'installation

N'installez pas votre lave-linge dans un endroit qui risque d'être exposé au gel : il reste en effet toujours une certaine quantité d'eau dans la vanne, la pompe ou les tuyaux. L'eau gelée peut endommager les courroies, la pompe, les tuyaux ou d'autres composants.

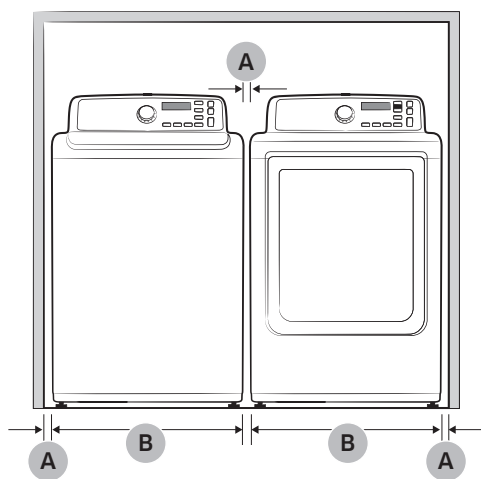
Encastrement dans une niche ou installation dans un placard

Dégagements minimaux pour installation dans un placard ou une niche :

Côtés	1 pouce / 25 mm	A l'avant du placard	2 pouces / 51 mm
Arrière	6 pouces / 152 mm	Haut	21 pouces / 533 mm

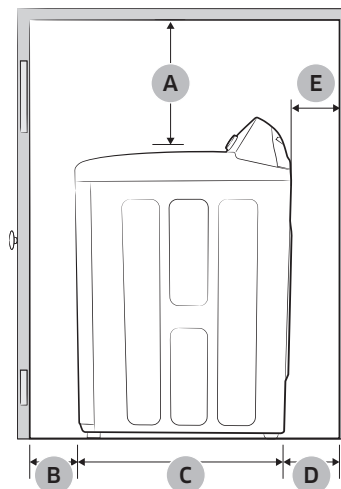
Si le lave-linge et le sèche-linge sont installés ensemble, prévoyez un dégagement d'au moins 72 pouces² (465 cm²) à l'avant du placard. Installé seul, votre lave-linge ne nécessite aucun dégagement.

Encastrement dans une niche



A	1 pouce (2,5 cm)
B	27,0 pouces (68,6 cm)

Vue latérale du placard ou de l'espace réduit

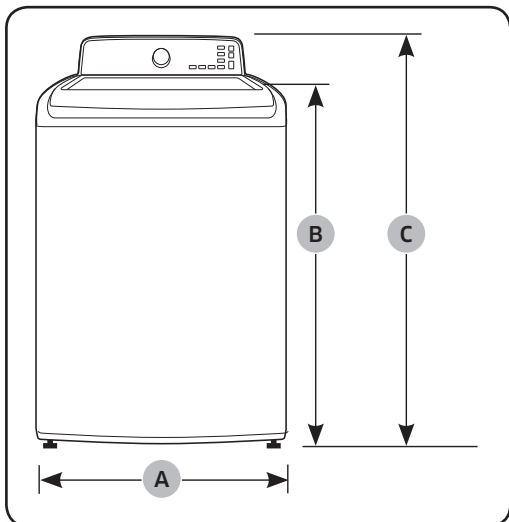


A	21 pouces (53,3 cm)
B	2 pouces (5,1 cm)
C	29 7/16 pouces (74,4 cm)
D	6 pouces (15,2 cm)
E	<p>Espace entre l'extrémité de la vanne d'arrivée d'eau et le mur</p> <ul style="list-style-type: none"> Cas 1 Assemblage du flexible d'arrivée après l'installation : Plus de 4 po (10 cm). Cas 2 Assemblage du flexible d'arrivée avant l'installation : Plus de 3 po (8 cm).

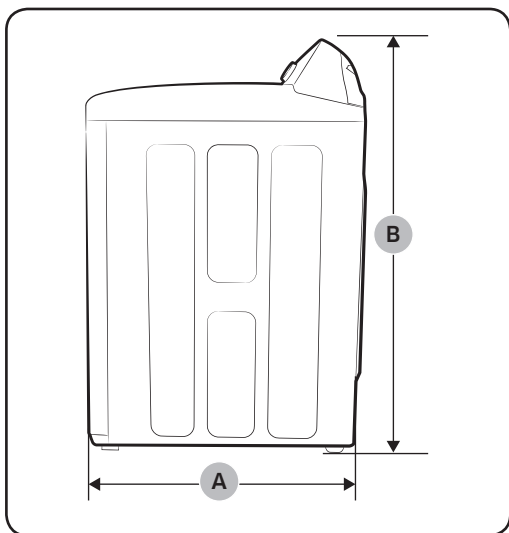
Installation

Installation

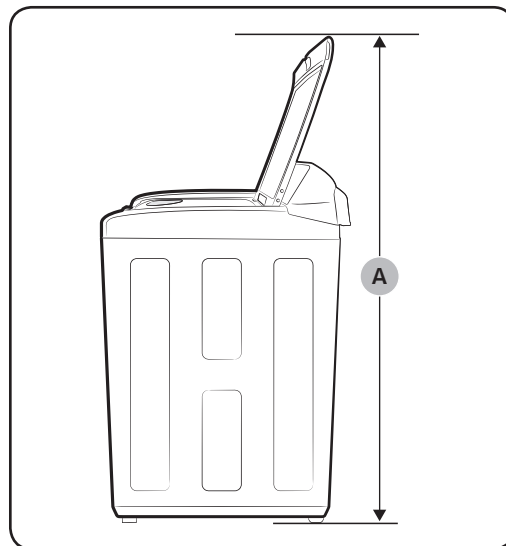
Dimensions requises pour l'installation



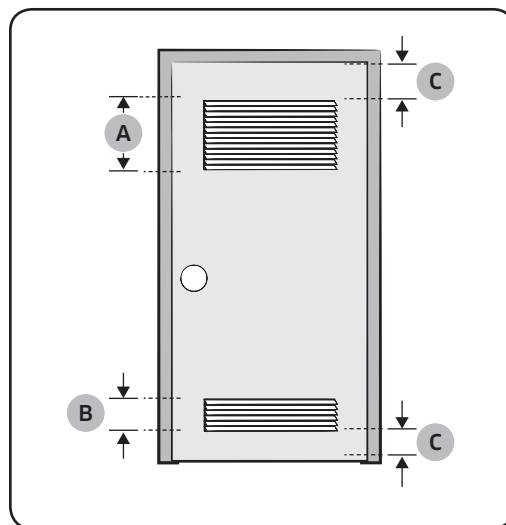
A	27,0 pouces (68,6 cm)
B	39,2 pouces (99,5 cm)
C	46,0 pouces (116,8 cm)



A	29,3 pouces (74,4 cm)
B	46,0 pouces (116,8 cm)



A	59,8 pouces (152,0 cm)
---	------------------------



A*	48,0 pouces ² (310,0 cm ²)
B*	24,0 pouces ² (155,0 cm ²)
C	3,0 pouces (7,6 cm)

REMARQUE

* Espace obligatoire

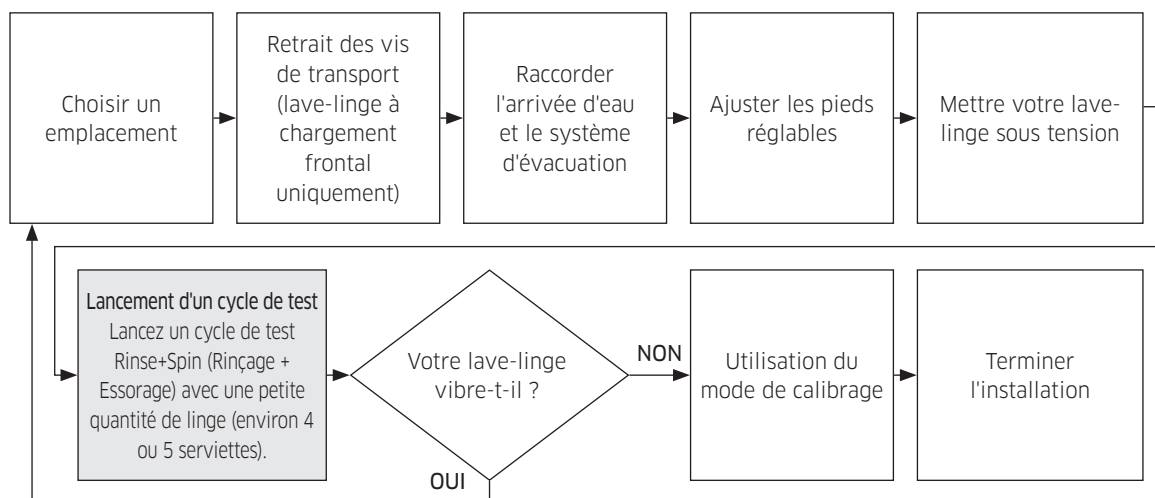
Remarque importante à l'intention de l'installateur

Lisez attentivement les consignes suivantes avant d'installer votre lave-linge.

Conservez ces instructions pour référence ultérieure.

Nous vous recommandons de faire appel à un professionnel pour installer votre lave-linge.

Schéma d'installation



Veuillez vérifier à nouveau les étapes précédentes.

Installation étape par étape

ÉTAPE 1 - Choix de l'emplacement

REMARQUE

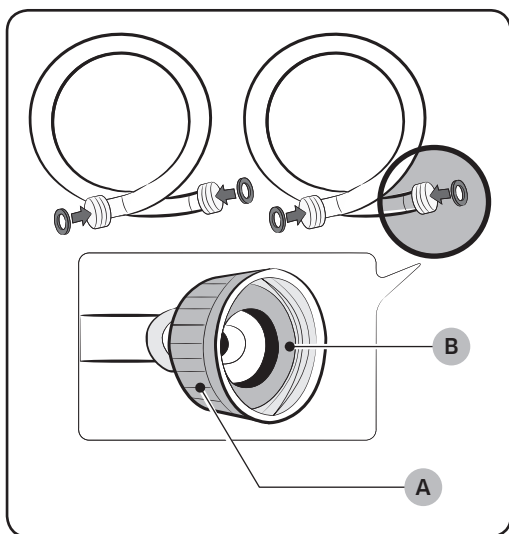
Avant d'installer votre lave-linge, vérifiez que l'emplacement choisi :

- possède une surface dure et à niveau, sans moquette ou autre revêtement de sol susceptible d'obstruer l'aération ;
- n'est pas exposé à la lumière directe du soleil ;
- dispose d'un espace d'aération suffisant ;
- n'est pas exposé au gel (températures inférieures à 32 °F ou 0 °C)
- ne se trouve pas à proximité d'une source de chaleur (ex. : essence, gaz, etc.) ;
- dispose de suffisamment d'espace, de sorte que votre lave-linge ne repose pas sur son cordon d'alimentation.

Installation

ÉTAPE 2 - Raccordement du tuyau d'arrivée d'eau

Installation



⚠ ATTENTION

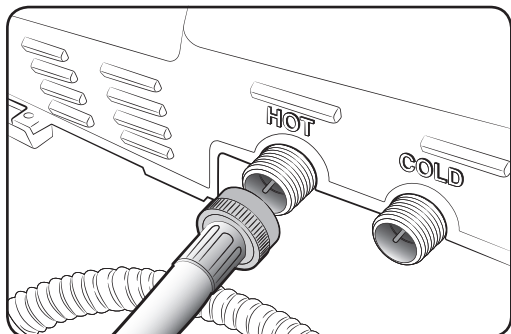
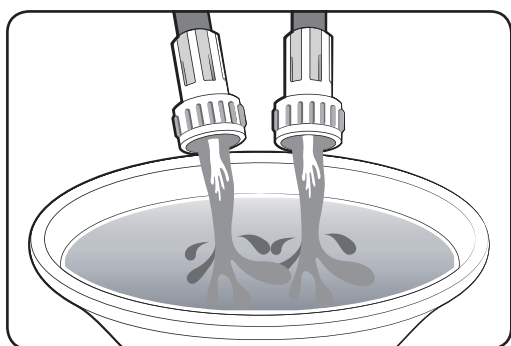
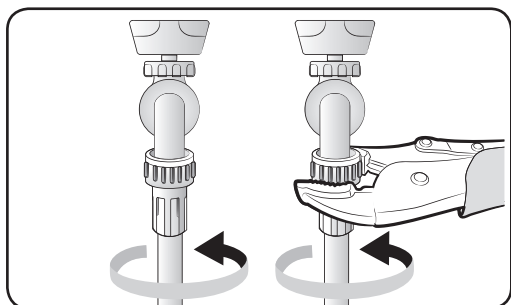
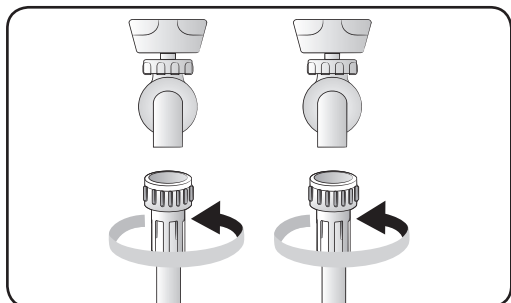
Avant d'installer les tuyaux d'arrivée d'eau, vérifiez la présence de **joints en caoutchouc (B)** à l'intérieur des **raccords (A)** situés aux deux extrémités de chaque tuyau d'arrivée d'eau neuf. L'installation de tuyaux d'arrivée d'eau sans joints en caoutchouc est susceptible d'entraîner une fuite d'eau.

⚠ ATTENTION

Lors de l'installation initiale du lave-linge, veillez à utiliser des tuyaux neufs. Le contraire est susceptible d'entraîner une fuite d'eau ou un trop-plein et de provoquer des dommages matériels.

⚠ ATTENTION

Ne raccordez pas plusieurs tuyaux d'arrivée d'eau ensemble pour augmenter la longueur du tuyau d'arrivée. Des tuyaux raccordés de cette façon peuvent fuir et la fuite peut entraîner une électrocution. Si un tuyau est trop court, remplacez-le par un tuyau haute pression plus long.



1. Raccordez les extrémités des tuyaux d'arrivée d'eau aux robinets d'eau chaude et d'eau froide.
2. Serrez autant que possible les raccords à la main, puis faites deux tiers de tour supplémentaires à l'aide d'une pince.

⚠ ATTENTION

Lorsque vous serrez les raccords, veillez à ne pas trop les serrer et à n'appliquer ni ruban adhésif, ni mastic sur les robinets ou les arrivées d'eau. Cela est susceptible d'endommager les raccords.

📖 REMARQUE

Après avoir raccordé les tuyaux d'arrivée d'eau aux robinets, vérifiez que le branchement a été correctement effectué en tirant les tuyaux d'arrivée d'eau vers le bas.

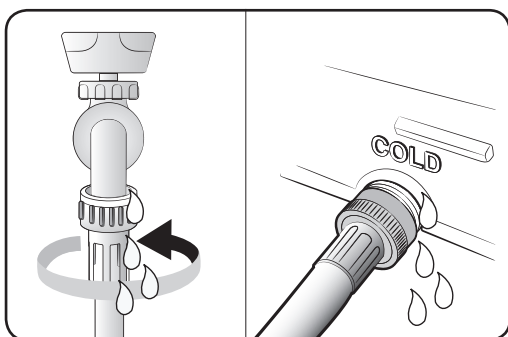
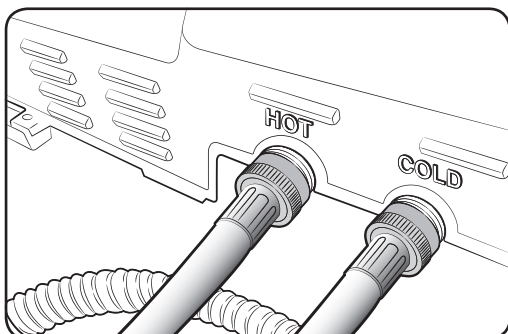
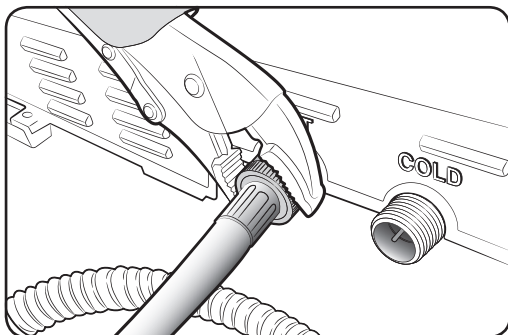
3. Placez les extrémités non raccordées des tuyaux dans une bassine et ouvrez les robinets connectés aux deux tuyaux d'arrivée d'eau pendant 10 ou 15 secondes afin d'éliminer toute substance étrangère dans les tuyaux. Fermez les robinets avant de poursuivre.

4. Raccordez les extrémités des tuyaux d'arrivée d'eau aux raccords de la vanne d'alimentation en eau située à l'arrière du lave-linge.

⚠ ATTENTION

Le tuyau d'arrivée d'eau raccordé au robinet d'eau chaude doit être raccordé à l'arrivée d'eau chaude et le tuyau d'arrivée d'eau raccordé au robinet d'eau froide doit être raccordé à l'arrivée d'eau froide.

Installation



5. Serrez autant que possible les raccords à la main, puis faites deux tiers de tour supplémentaires à l'aide d'une pince.

REMARQUE

Pour garantir un bon fonctionnement, raccordez les deux robinets d'arrivée d'eau (chaude et froide). Si l'un d'entre eux (ou les deux) n'est pas raccordé, un code « 4C » (pas de remplissage) risque de s'afficher.

REMARQUE

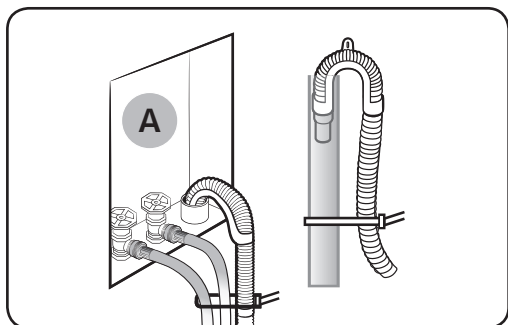
Si vous ne souhaitez pas utiliser le tuyau d'arrivée d'eau chaude, insérez le bouchon d'arrivée d'eau dans l'orifice d'arrivée d'eau chaude. Dans ce cas, vous devez sélectionner l'option **Tap Cold (Robinet d'eau froide)** pour la température de l'eau. Si vous sélectionnez l'option **Tap Cold (Robinet d'eau froide)**, tous les voyants correspondant aux options de température de l'eau sont éteints.

ATTENTION

Vérifiez si les tuyaux d'arrivée d'eau ne sont pas vrillés ou pliés. Si les tuyaux sont vrillés ou pliés, ils peuvent fuir et la fuite peut entraîner une électrocution.

6. Ouvrez les robinets d'eau chaude et froide puis vérifiez tous les raccords : les arrivées d'eau et les robinets ne doivent présenter aucune fuite.

ÉTAPE 3 - Raccordement du tuyau de vidange



L'extrémité du tuyau de vidange peut être positionnée de trois manières différentes :

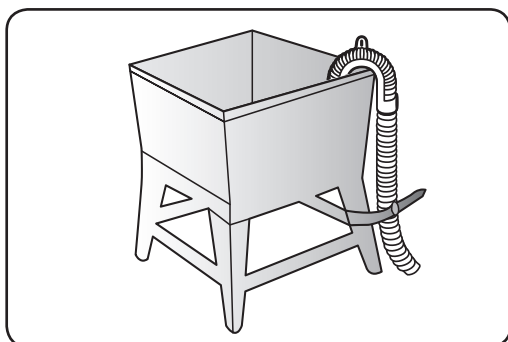
Dans une descente sur mur ou une descente sur plancher

La hauteur de l'extrémité de la descente ne doit pas être inférieure à 39 in (99 cm) et supérieure à 96 in (245 cm).

Si les tuyaux de vidange sont installés dans le mur avec vannes (A), lier le tuyau de vidange au tuyau d'eau.

REMARQUE

- Assurez-vous que le raccordement entre le tuyau de vidange et la conduite d'évacuation n'est pas étanche à l'air.



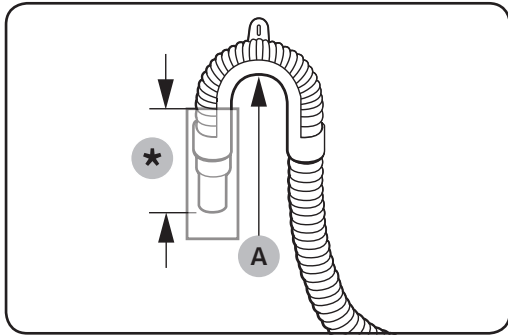
Dans un bac à lessive

La hauteur du bac ne doit pas être inférieure à 39 in (99 cm) et supérieure à 96 in (245 cm).

Assembler le guide de tuyau alimenté à l'extrémité du tuyau de vidange, et mettre le crochet sur le bac à lessive.

Et attacher le tuyau de vidange à la jambe du bac à lessive.

Installation



REMARQUE

Raccordez le guide du tuyau de vidange (A) à maximum 3~5 pouces (7.6~12.7 cm)* de distance de l'extrémité du tuyau de vidange. Si le tuyau de vidange est étendu de après l'extrémité du guide du tuyau de vidange, des moisissures ou des microorganismes peuvent se répandre à l'intérieur du lave-linge.

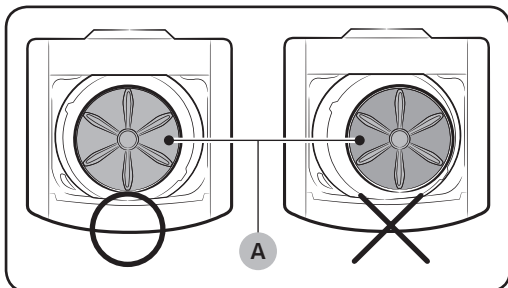
REMARQUE

Le tuyau de vidange peut être installé à maximum 96 pouces (245 cm) de distance, mais la capacité de vidange peut être altérée à cette hauteur. Le lave-linge peut alors dégager de mauvaises odeurs à cause de l'eau restante dans le système de vidange.

REMARQUE

Si le tuyau de vidange est installé à moins de 39 pouces (99 cm) de distance, alors l'eau peut être vidangée par cycles grâce au phénomène de siphon. Le lave-linge affiche alors « 4C ».

ÉTAPE 4 - Mise à niveau de votre lave-linge

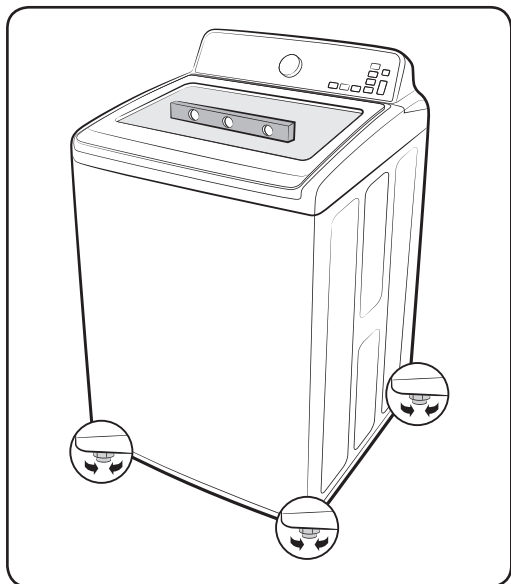


Vérifiez si le lave-linge est à niveau en vérifiant la position de la cuve :

1. Faites glisser le lave-linge à l'emplacement choisi.
2. Ouvrez le couvercle du lave-linge et versez de l'eau dans la cuve jusqu'à atteindre un niveau immédiatement inférieur à celui du pulsateur.

REMARQUE

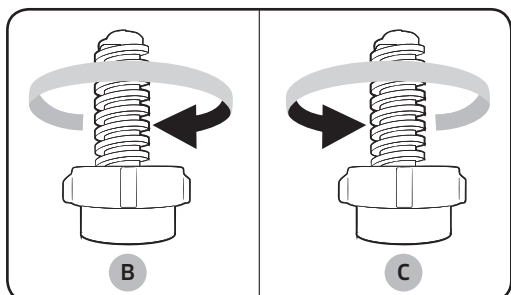
Les modèles WA52M7750A* disposent de l'évier intégré au-delà du niveau du pulsateur. C'est pourquoi le niveau n'est pas révélé. Ouvrez l'évier intégré et contrôlez visuellement le niveau.



3. Si le lave-linge n'est pas à niveau, le **pulsateur (A)** est placé au centre de l'eau de la manière indiquée sur le schéma. Sinon, mettez à niveau votre lave-linge en tournant autant que nécessaire les pieds réglables avant dans le sens horaire ou anti-horaire.

 **REMARQUE**

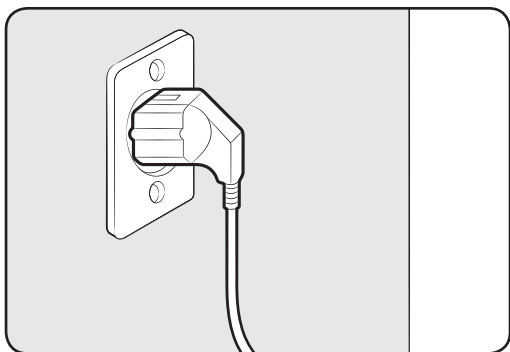
Tournez le pied réglable avant dans le sens horaire (B) pour abaisser le lave-linge, et dans le sens anti-horaire (C) pour le surélever.



Installation

ÉTAPE 5 - Mise sous tension de votre lave-linge

Installation



Branchez le cordon d'alimentation sur une prise électrique murale agréée de 120 V, 60 Hz et à 3 broches correctement mise à la terre, protégée par un fusible de 15 ampères (ou un coupe-circuit comparable)

La troisième broche du cordon d'alimentation permet de relier votre lave-linge à la terre une fois ce cordon branché sur une prise électrique murale à trois broches mise à la terre.

Cycle à vide

Pour finaliser l'installation du lave-linge, lancez un programme **Rinse+Spin (Rinçage + Essorage)** une fois l'appareil installé.

ÉTAPE 6 - Lancement d'un cycle de test

Lancez un cycle à vide comme indiqué ci-dessous pour vérifier si votre lave-linge est correctement installé.

1. Mettez du linge dans le tambour de sorte d'atteindre un poids d'environ 6 livres.
2. Appuyez sur le bouton **Power (Marche/Arrêt)** pour allumer votre lave-linge.
3. Choisissez le programme **Rinse+Spin (Rinçage + Essorage)** en faisant tourner le **Cycle Selector (Sélecteur de cycle)**.
4. Appuyez sur le bouton **Start/Pause (Départ/Pause)** pour commencer le cycle de test.
5. Le lave-linge ne bouge et ne vibre pas excessivement lorsque l'eau est approvisionnée ou lors du lavage ou de l'essorage. L'appareil doit également bien vidanger pendant le cycle d'essorage.

REMARQUE

Si de l'eau fuit lors de l'approvisionnement ou de la vidange, vérifiez les connexions d'arrivée d'eau. Reportez-vous à la section « **ÉTAPE 2 - Raccordement du tuyau d'arrivée d'eau** » à la page 22 pour obtenir des instructions.

REMARQUE

Si le lave-linge bouge et vibre excessivement, remettez-le à niveau. Reportez-vous à la section « **ÉTAPE 4 - Mise à niveau de votre lave-linge** » à la page 26 pour obtenir des instructions.

ÉTAPE 7 - Mode de calibrage

Votre lave-linge Samsung détecte le poids du linge automatiquement.

Pour une détection plus précise du poids, exécutez le mode de calibrage après l'installation. Pour exécuter le Calibration Mode (Mode de calibrage), respectez les étapes suivantes :

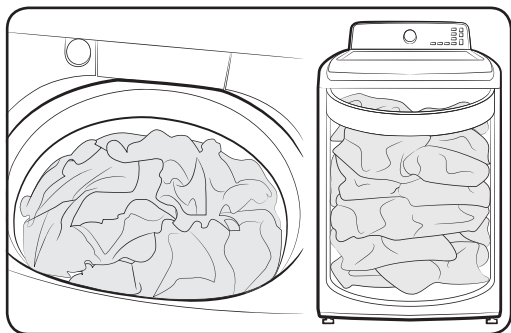
1. Retirez le linge ou le contenu de la machine.
2. Maintenez simultanément les boutons **Temp. (Température)** et **Delay End (Arrêt différé)** enfoncés pendant au moins 3 secondes lors de la mise sous tension.
3. Appuyez sur le bouton **Start/Pause (Départ/Pause)** pour activer le mode de calibrage.
4. Le tambour tourne dans le sens horaire pendant environ 1 minute.
5. Lorsque le Calibration Mode (Mode de calibrage) est terminé, « **End** » (**Fin**) apparaît à l'écran, et le lave-linge s'éteint automatiquement. Le lave-linge est maintenant prêt à être utilisé.

Mode d'emploi

AVERTISSEMENT

Afin de réduire les risques d'incendie, d'électrocution ou de blessures physiques lors de l'utilisation de l'appareil, des précautions de base doivent être prises :

Chargement du lave-linge



- Remplir le tube de vêtements secs et non pliés uniformément tout autour afin d'améliorer l'efficacité du lavage et d'éviter l'usure excessive, ou le froissage de la charge.
- Pour un fonctionnement optimal, assurez-vous que le linge est réparti de manière uniforme.
- Lavez le linge délicat comme les soutiens-gorge, bas et autres types de lingerie à l'aide du programme « Délicats », avec les articles légers similaires.
- Lorsque vous lavez des articles volumineux ou un faible nombre d'articles qui ne remplissent pas complètement le tambour (ex : tapis, peluches, un ou deux pulls, etc.), ajoutez quelques serviettes afin d'améliorer l'essorage.
- N'insérez pas d'articles volumineux sauf pour le programme Literie.

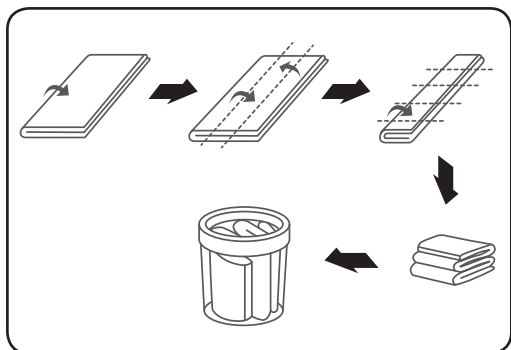
REMARQUE

Lors de l'essorage, le lave-linge peut ajouter de l'eau pour redistribuer les vêtements afin de compenser les éventuels déséquilibres dans le tambour.

- Lorsque vous lavez du linge très sale, ne surchargez pas votre lave-linge afin d'obtenir un meilleur résultat de lavage.

ATTENTION

- Les articles gonflables peuvent provoquer des dommages à la machine pendant le processus de lavage ou de séchage.
- Quelle que soit la taille, pour les couvertures ou les couettes, il est préférable de laver un article à la fois. Deux couvertures de taille différente dans la même charge peuvent compromettre les performances de séchage du fait de charges déséquilibrées.



Pour mettre une couverture

Pliez la couverture dans le filet spécial couvertures tel qu'indiqué, puis insérez-la dans le lave-linge en-dessous de la zone plastique du lave-linge.

⚠ ATTENTION

Assurez-vous que le linge est bien inséré.

- Toute partie exposée du linge peut provoquer des dommages à la machine ou au linge lui-même ou une fuite d'eau.
- Ne surchargez pas le lave-linge. Assurez-vous qu'aucune partie du linge n'est exposée hors du lave-linge.

Pour ajouter un article oublié :

1. Appuyez sur le bouton **Start/Pause (Départ/Pause)** pour mettre le lave-linge en pause.
2. Attendez le déverrouillage automatique du hublot, puis ouvrez-le.
3. Ajoutez l'article, fermez le hublot, puis appuyez sur le bouton **Start/Pause (Départ/Pause)**. Le programme redémarre.

Mise en marche

1. Chargez votre lave-linge.
2. Versez de la lessive liquide (ou en poudre) et des additifs de lavage dans le distributeur (reportez-vous à la section « **Utilisation de la lessive** » à la page 46).
3. Sélectionnez le cycle et les options appropriés en fonction de la charge de linge (reportez-vous à la section « **Effectuer un lavage** » à la page 32).
4. Fermez le couvercle.
5. Appuyez sur le bouton **Start/Pause (Départ/Pause)**.
6. Le voyant **Wash (Lavage)** s'allume.
7. La durée estimée du cycle s'affiche à l'écran.


La durée indiquant le temps restant pour le cycle peut fluctuer.

📄 REMARQUE

La durée réelle nécessaire à la réalisation d'un programme peut différer de la durée estimée affichée sur l'écran en fonction de la pression et de la température de l'eau, du type de lessive utilisé et du linge à nettoyer.

8. Avant de se remplir, votre lave-linge émet une série de cliquetis ; ces cliquetis indiquent qu'il vérifie que le hublot est bien verrouillé et qu'il effectue une vidange rapide.

📄 REMARQUE

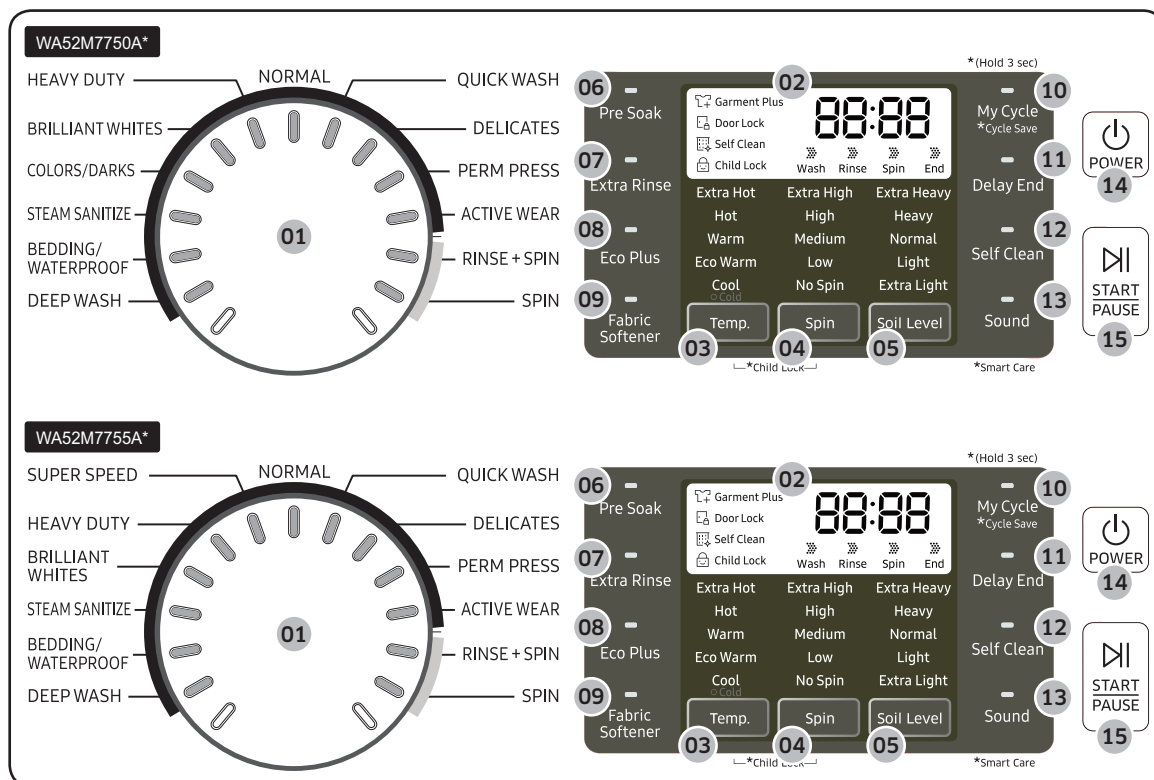
- Une fois le cycle terminé, le voyant de  **Door Lock (Verrouillage du hublot)** s'éteint et le message « **End** » (**Fin**) s'affiche à l'écran.
- Appuyer sur le bouton **Power (Marche/Arrêt)** permet d'annuler le cycle et d'arrêter votre lave-linge.
- Les voyants **Wash (Lavage)**, **Rinse (Rinçage)** et **Spin (Essorage)** s'allument lorsque le lave-linge commence ces différentes parties du cycle.

Effectuer un lavage

⚠ AVERTISSEMENT


afin de limiter les risques d'incendie, d'électrocution ou de blessures, consultez la section CONSIGNES IMPORTANTES DE SÉCURITÉ avant d'utiliser cet appareil.

Panneau de commande



<p>01 Sélecteur de cycle</p>	<p>Faites tourner le Cycle Selector (Sélecteur de cycle) pour sélectionner le cycle souhaité. Le voyant s'allume en regard du nom du cycle correspondant.</p>
<p>02 Affichage</p>	<p>Il affiche consignes et diagnostics tout en vous informant sur l'état du programme et le temps restant.</p>

Effectuer un lavage

<p>03 Temp. (Température)</p>	<p>Appuyez plusieurs fois sur ce bouton pour faire défiler les différentes températures disponibles.</p> <ul style="list-style-type: none"> • Extra Hot (Extra Chaud) - linge très sale, tissus grand teint. Uniquement disponible avec le programme Sanitize (Stérilisation). • Hot (Chaud) : linge blanc et très sale, grand teint. • Warm (Tiède) : linge grand teint. • Eco Warm (Tiède éco) : linge moyennement sale, grand teint, la plupart des articles infroissables. • Cool - linge très peu sale, couleurs vives. • Cold (Froid) : eau froide sans ajout d'eau chaude. <p> REMARQUE</p> <p>Si vous sélectionnez l'option Tap Cold (Robinet d'eau froide), tous les voyants correspondant aux options de température d'eau sont éteints.</p>
<p>04 Spin (Essorage)</p>	<p>Appuyez sur ce bouton à plusieurs reprises pour faire défiler les différentes options d'essorage disponibles.</p> <ul style="list-style-type: none"> • Extra High (Très élevé) : élimine un maximum d'eau du linge pendant l'essorage. • High (Élevé) : sous-vêtements, T-shirts, jeans et cotons épais. • Medium (Moyen) : jeans, tissus infroissables ou sans repassage et synthétiques. • Low (Faible) : articles délicats nécessitant une vitesse d'essorage moindre. • No Spin (Sans essorage) : vidange votre lave-linge sans effectuer d'essorage. À utiliser pour le linge extrêmement délicat ne pouvant être essoré.
<p>05 Soil Level (Degré de salissure)</p>	<p>Permet de sélectionner le degré de salissure/temps de lavage.</p> <ul style="list-style-type: none"> • Extra Heavy • Heavy (Très sale) : linge très sale. • Normal : linge moyennement sale. Ce réglage convient à la plupart des lessives. • Light (Peu sale) : linge peu sale. • Extra Light
<p>06 Pre Soak (Pré-trempage)</p>	<p>Cette option ajoute 15 minutes de trempage au début du cycle de lavage pour obtenir un meilleur retrait des tâches.</p>
<p>07 Extra Rinse (Rinçage intensif)</p>	<p>Passez d'un mode de rinçage par pulvérisation à un mode de rinçage en profondeur.</p>

Effectuer un lavage



08 Eco Plus	Cette option permet d'augmenter les économies d'énergie lors de vos cycles de lavage. (Consommation d'eau chaude réduite)
09 Fabric Softener (Adoucissant)	Permet d'allonger un cycle de rinçage supplémentaire à la fin du programme afin de mieux éliminer les additifs et les parfums.
10 My Cycle (Mon cycle)	Maintenez ce bouton enfoncé pendant 3 secondes pour enregistrer votre propre cycle. Créez et/ou utilisez un cycle que vous avez personnalisé avec une température, une vitesse d'essorage, un degré de salissure, des options, etc.
11 Delay End (Arrêt différé)	Cette option vous permet de différer la fin d'un cycle jusqu'à 19 heures par tranches d'une heure. L'heure affichée est celle à laquelle le lavage s'arrêtera.
12 Self Clean (Auto-nettoyage)	Utilisez cette option pour nettoyer la saleté et les bactéries dans le tambour. Une utilisation régulière (toutes les 20 lessives) est recommandée. Aucun produit de nettoyage ou agent de blanchiment n'est nécessaire.
13 Sound (Son)	Il est possible de sélectionner la fonction Sound Off (Arrêt son) pour tous les programmes.
14 Power (Marche/Arrêt)	Appuyez une fois pour allumer le lave-linge. Appuyez une nouvelle fois pour éteindre le lave-linge. Si le lave-linge reste allumé pendant plus de 10 minutes sans qu'aucun bouton ne soit actionné, il s'éteint automatiquement.
15 Start/Pause (Départ/Pause)	Appuyez sur ce bouton pour interrompre et relancer les programmes.

Présentation des cycles

REMARQUE

Pour réduire le froissement du linge, sélectionnez le programme **Perm Press (Infroissables)**.

Cycle	Description
NORMAL	Plupart des textiles (ex. : coton), linge de maison et linge moyennement sale.

Cycle	Description
SUPER SPEED (HAUTE VITESSE) (WA52M7755A*)	Légèrement sale et charges normales (jusqu'à 8lb).
HEAVY DUTY (GRAND RENDEMENT)	Linge très sale et textiles épais grand teint. Nous proposons d'utiliser cette fonction uniquement en cas de lavage d'un grand nombre de vêtements très sales.
BRILLIANT WHITES (BLANCS ÉCLATANTS)	Pour tissus blancs avec ou sans javel.
COLORS/DARKS (COULEURS/FONCÉ) (WA52M7750A*)	Tissus normaux aux couleurs vives ou foncées.
STEAM SANITIZE (STÉRILISATION VAPEUR)	Convient au linge très sale et tissus grand teint. (inférieur à 14 livres)  NOTE Si vous sélectionnez Pause lors de la phase de chauffe du programme Stérilisation, le hublot reste verrouillé pour des raisons de sécurité.
BEDDING/ WATERPROOF (LINGE DE LIT/ IMPERMEABLES)	Pour les articles volumineux et grands tels que les couvertures et les draps. Lorsque vous lavez des couettes, du linge imperméable ou résistant à l'eau, utilisez de la lessive liquide.  ATTENTION ✘ Ne lavez pas des articles imperméables et perméables ensemble. ✘ Vérifiez l'étiquette de spécifications sur l'article en tissu pour voir s'il est imperméable ou non.
DEEP WASH (LAVAGE EN PROFONDEUR)	Utilisez une plus grande quantité d'eau pour le lavage et le rinçage.
QUICK WASH (LAVAGE EXPRESS)	vêtements peu sales dont vous avez besoin rapidement.
DELICATES (DÉLICAT)	Textiles transparents, soutien-gorge, lingerie fine, soie et autres textiles délicats à laver à la main. Pour de meilleurs résultats, utilisez de la lessive liquide.
PERM PRESS (INFROISSABLES)	Tissus synthétiques, infroissables et linge peu à moyennement sale.

Effectuer un lavage

Cycle	Description
ACTIVE WEAR (VÊTEMENTS QUOTIDIENS)	Permet de laver les vêtements de sport (maillots, shorts, T-shirts, etc.). Ce programme permet d'éliminer la saleté du linge délicat de manière efficace avec un lavage adapté.
RINSE+SPIN (RINÇAGE + ESSORAGE)	Linge ayant besoin d'un rinçage uniquement ou ajout d'un adoucissant dans le linge pour le rinçage.
SPIN (ESSORAGE)	Vidange l'eau et essore à haute vitesse.


Options

Child Lock (Sécurité enfant)

Cette fonction empêche les enfants de jouer avec le lave-linge.

Activation de la fonction Sécurité enfant

Maintenez simultanément enfoncés les boutons **Spin (Essorage)** et **Soil Level (Degré de salissure)** pendant environ 3 secondes.

- Lorsque la fonction Sécurité enfant est activée, le voyant  **Child Lock (Sécurité enfant)** clignote.

Utiliser la fonction Sécurité enfant

Lorsque la fonction Sécurité enfant est activée et que le couvercle est ouvert, « dC » s'affiche et une alarme retentit.

- Si le niveau d'eau dans le tambour est au-delà du niveau d'eau de sécurité, « dC » apparaît sur l'affichage DEL et le lave-linge commence à vidanger l'eau de force après 30 secondes.

- Si le niveau d'eau dans le tambour est au-delà du niveau d'eau de sécurité et si la fonction Sécurité enfant est activée alors que le hublot est ouvert, « **CL** » apparaît sur l'affichage DEL même si l'alimentation du lave-linge est coupée et ce dernier vidange l'eau de force.
- Même si l'alimentation du lave-linge est coupée, si le couvercle est ouvert alors que le niveau d'eau dans le tambour est au-delà du niveau d'eau de réinitialisation, « **CL** » apparaît sur l'affichage DEL sans l'accompagnement d'une alarme sonore et le lave-linge commence à vidanger l'eau. Lorsque l'opération de vidange est terminée, l'alimentation est automatiquement coupée à nouveau.
- Si vous avez activé la fonction Sécurité enfant pendant le fonctionnement du lave-linge, le bouton **Start/Pause (Départ/Pause)** ne fonctionne pas.
- Après la vidange obligatoire, « **CL** » clignote à intervalles d'1 seconde et l'appareil est mis en mode « **CL** ». (Lorsque l'appareil se trouve en mode « **CL** », seul le bouton Power (Marche/Arrêt) fonctionne.)
- Pour annuler le mode « **CL** », vous devez éteindre et rallumer l'appareil.
- Pour annuler le mode « **dc** », désactivez la fonction Sécurité enfant. Pour désactiver la fonction Sécurité enfant, maintenez simultanément les boutons **Spin (Essorage)** et **Soil Level (Degré de salissure)** enfoncés pendant au moins 3 secondes.


REMARQUE

Ajouter du linge lorsque la Sécurité enfant est activée

Pour ajouter du linge, désactivez la fonction Sécurité enfant. Pour désactiver la fonction Sécurité enfant, maintenez simultanément les boutons **Spin (Essorage)** et **Soil Level (Degré de salissure)** enfoncés pendant au moins 3 secondes. Reportez-vous à la section « **Option Pause** » à la page **42** pour en savoir plus.

Désactivation de la fonction Sécurité enfant

Maintenez simultanément les boutons **Spin (Essorage)** et **Soil Level (Degré de salissure)** enfoncés pendant environ 3 secondes.

- Lorsque la fonction Sécurité enfant est désactivée, le voyant  **Child Lock (Sécurité enfant)** s'éteint.
- La fonction Sécurité enfant permet d'éviter que les enfants ou personnes handicapées ne fassent fonctionner involontairement le lave-linge et ne se blessent.

AVERTISSEMENT

Si un enfant entre dans le lave-linge, il risque d'être piégé et d'étouffer.

ATTENTION

- Une fois la fonction Sécurité enfant activée, elle reste active même si la machine est mise hors tension.
- L'ouverture forcée du couvercle peut endommager l'appareil ou provoquer des blessures.

REMARQUE

Pour ajouter du linge après activation de la fonction Sécurité enfant, vous devez d'abord la désactiver.




Effectuer un lavage

Sound (Son)

La fonction Sound Off (Signal sonore désactivé) peut être sélectionnée pour tous les cycles.

Garment Plus (Ajout de vêtements)

Il est possible d'ajouter ou de retirer du linge après le démarrage du programme tant que le voyant  **Garment Plus (Ajout de vêtements)** est allumé. Si vous appuyez sur **Start/Pause (Départ/Pause)**, le couvercle est déverrouillé. Si vous ouvrez le couvercle et souhaitez poursuivre le cycle de lavage, fermez le couvercle et appuyez sur le bouton **Start/Pause (Départ/Pause)**.

REMARQUE

Si la fonction Sécurité enfant est activée, vous devez tout d'abord la désactiver. Reportez-vous à la page 36.

My Cycle (Mon cycle)

Vous permet d'enregistrer un programme de lavage personnalisé (température, essorage, degré de salissure, etc.) puis de le rappeler et de l'utiliser grâce à un simple bouton. Pour enregistrer un programme et les options sélectionnées sous My Cycle (Mon cycle), suivez les étapes suivantes :

1. Appuyez sur **Power (Marche/Arrêt)**.
2. Sélectionnez un cycle à l'aide du **Cycle Selector (Sélecteur de cycle)**.
3. Définissez ensuite les options de votre choix.

REMARQUE

Reportez-vous à la section « **Tableau des cycles** » à la page 69 pour connaître les réglages facultatifs disponibles pour chaque cycle.

4. Vous pouvez ensuite enregistrer le cycle et les options sélectionnés en maintenant le bouton **My Cycle (Mon Cycle)** enfoncé pendant plus de 3 secondes. Le programme et les options que vous sélectionnez s'afficheront la prochaine fois que vous sélectionnez la fonction My Cycle (Mon cycle).
5. Appuyez sur le bouton **My Cycle (Mon cycle)** pour charger et utiliser les options My Cycle (Mon cycle) enregistrées. Le voyant « My Cycle » (Mon cycle) indique que ce mode est activé. De même, les voyants du programme et des options sélectionnés clignotent.

REMARQUE

Vous pouvez modifier les réglages de My Cycle (Mon cycle) en répétant la procédure indiquée ci-dessus.

Les derniers réglages utilisés s'afficheront la prochaine fois que vous choisirez la fonction My Cycle (Mon cycle).

REMARQUE

Si vous appuyez sur le bouton **My Cycle (Mon cycle)** et le relâchez avant les 3 secondes, le cycle et les options précédemment enregistrés s'affichent. Si vous appuyez sur le bouton **My Cycle (Mon Cycle)** pendant 3 secondes ou plus, le cycle et les options actuellement programmés sont enregistrés et la DEL clignote pendant 3 secondes.



Delay End (Arrêt différé)

Vous pouvez programmer votre lave-linge pour qu'il commence automatiquement le lavage plus tard, en choisissant une heure différée.

L'heure affichée correspond à celle à laquelle le cycle de lavage se terminera.

1. Programmez votre cycle de lavage.
2. Appuyez sur le bouton **Delay End (Arrêt différé)** à plusieurs reprises jusqu'à obtenir l'heure différée souhaitée.
3. Appuyez sur le bouton **Start/Pause (Départ/Pause)**. Le voyant « Delay End (Arrêt différé) » s'allume et l'horloge lance le compte à rebours jusqu'à atteindre l'heure programmée.
4. Pour annuler la fonction Delay End (Arrêt différé), appuyez sur le bouton Power (Marche/Arrêt) puis remettez le lave-linge en marche.

Pre Soak (Pré-trempage)

Utilisez cette fonction lorsque le linge est très sale ou taché. Elle améliore la performance de lavage en ajoutant un cycle Pre Soak (Pré-trempage).

- Si cette fonction est sélectionnée, la durée totale du cycle est augmentée de 15 minutes.
- Si le cycle Pre Soak (Pré-trempage) commence, le lave-linge répète un cycle de lavage après avoir ajouté l'eau puis effectue un cycle de trempage durant 15 minutes.
- Une fois le cycle Pre Soak (Pré-trempage) terminé, le cycle de lavage configuré commence sans vidanger l'eau.

Effectuer un lavage

Eco Plus

Cette fonction permet de régler une température relativement inférieure à celle du cycle de lavage normal et de rallonger légèrement la durée de lavage. Même avec une durée de lavage légèrement augmentée, il est possible de maintenir le même niveau de performance de lavage avec de l'eau plus froide. Cette fonction réduit la consommation d'énergie tout en conservant la qualité du lavage.

Technologie Mist Shower

La technologie Mist Shower permet de pulvériser de l'eau indépendamment du système d'arrivée d'eau. Cela signifie qu'elle fait tremper le linge dans l'eau dès le début du cycle de rinçage et garantit un lavage efficace non pas dans le cadre du cycle de lavage, mais dans le cadre du cycle de rinçage. c'est pourquoi le rinçage est dit efficace.

(La fonction Mist Shower peut ne pas fonctionner s'il y a trop de linge dans la machine.)

Smart Care

Cette fonction vous permet de vérifier l'état du lave-linge à l'aide d'un smartphone.

1. Pour activer cette fonction, maintenez le bouton **Pre Soak (Pré-trempage)** enfoncé pendant 3 secondes après la mise sous tension ou lorsqu'une erreur survient.

REMARQUE

L'historique des codes d'erreur est supprimé après l'utilisation de cette fonction.

2. Le voyant Smart Care s'allume à l'écran.
3. Lancez l'application Smart Care sur votre smartphone.
 - Android : Série Galaxy S et Galaxy Note. (Les autres appareils peuvent ne pas fonctionner normalement).
Système d'exploitation pris en charge : Android 2.2 ou supérieur
 - iOS : série iPhone
Système d'exploitation pris en charge : iOS 4.3 ou supérieur
4. Réglez l'appareil photo de votre smartphone sur le panneau d'affichage du lave-linge.
5. Si l'appareil photo du smartphone est réglé sur le panneau d'affichage du lave-linge, l'affichage et le message d'erreur sont reconnus automatiquement et le type d'erreur et les mesures à prendre s'affichent sur le smartphone.
6. Si le smartphone ne reconnaît pas le code d'erreur plusieurs fois, veuillez saisir manuellement le code d'erreur affiché sur le panneau du lave-linge dans l'application Smart Care.

REMARQUE

Téléchargement de l'application Smart Care

- Téléchargez l'application Samsung Laundry App sur votre smartphone via Android market ou Apple App store. (Terme de recherche : Samsung Smart Washer/Dryer)

REMARQUE

Consignes à suivre lors de l'utilisation de Smart Care

- Si l'éclairage d'une ampoule, d'une lampe fluorescente ou d'un voyant se reflète sur le panneau d'affichage du lave-linge, le smartphone est susceptible de ne pas reconnaître facilement le panneau ou le message d'erreur.
- Si vous maintenez le smartphone avec un angle relatif trop important par rapport à l'avant du panneau d'affichage, il peut ne pas être en mesure de reconnaître le code d'erreur. Pour de meilleurs résultats, maintenez le smartphone de sorte que l'avant du panneau et le smartphone soient parallèles ou quasiment.

Laver du linge à l'aide du sélecteur de programme

Votre nouveau lave-linge vous simplifie la tâche grâce au système de contrôle automatique « Fuzzy Control » de Samsung. Lorsque vous choisissez un programme, le lave-linge définit les options appropriées en matière de température, de temps et de vitesse de lavage.

1. Appuyez sur **Power (Marche/Arrêt)**.
2. Ouvrez le couvercle.
3. Chargez les articles un par un dans le tambour, sans les tasser ni surcharger le lave-linge.
4. Ajoutez de la lessive liquide (ou en poudre), de l'adoucissant et/ou un agent de blanchiment (si nécessaire) dans les compartiments appropriés. Reportez-vous à la section « **Utilisation de la lessive** » à la page 46.
5. Fermez le couvercle.
6. Utilisez le **Cycle Selector (Sélecteur de cycle)** pour sélectionner le cycle approprié en fonction du type de linge : **NORMAL, HEAVY DUTY (INTENSIF), STEAM SANITIZE (STÉRILISATION VAPEUR), DEEP WASH (LAVAGE EN PROFONDEUR), COLORS/DARKS (COULEURS/FONCE)(WA52M7750A*), PERM PRESS (INFROISSABLES), ACTIVE WEAR (VETEMENTS QUOTIDIENS), SUPER SPEED (HAUTE VITESSE) (WA52M7755A*), BRILLIANT WHITE (BLANCS ECLATANTS), BEDDING/WATERPROOF (LINGE DE LIT/ IMPERMEABLES), QUICK WASH (LAVAGE EXPRESS), DELICATES (DELICATS), SPIN (ESSORAGE) et RINSE+SPIN (RINCAGE + ESSORAGE)**. Le voyant correspondant au programme sélectionné s'allume sur le panneau de commande.

Effectuer un lavage

7. À ce stade, vous pouvez contrôler la température de lavage, le nombre de cycles de rinçage, la vitesse d'essorage et l'heure différée en appuyant sur les boutons des options appropriées.
8. Appuyez sur le bouton **Start/Pause (Départ/Pause)** et le lavage commence. L'indicateur de progression s'allume et le temps de lavage restant apparaît à l'écran.

Option Pause

Pour retirer ou ajouter du linge, suivez les étapes suivantes :

1. Appuyez sur le bouton **Start/Pause (Départ/Pause)** pour déverrouiller le couvercle.

REMARQUE

Le couvercle ne peut pas être ouvert lorsque l'eau est trop CHAUDE.

2. Retirez ou ajoutez du linge.
3. Fermez le couvercle, puis appuyez sur le bouton **Start/Pause (Départ/Pause)** pour redémarrer le cycle de lavage.

REMARQUE

Si la fonction Sécurité enfant est activée, vous devez tout d'abord la désactiver. Reportez-vous à la page 36.

Lorsque le cycle est terminé :

À la fin du cycle, le lave-linge s'arrête automatiquement.

1. Ouvrez le couvercle.
2. Sortez le linge.

ATC (Contrôle automatique de la température)

ATC est la fonction de contrôle qui permet au lave-linge de contrôler la température de l'eau grâce au capteur de température (thermistance).

REMARQUE

En raison des nombreuses températures d'eau possibles en fonction de l'environnement du client (lieux froids, tièdes, diverses températures d'eau, réglages de la température de la résistance, etc.), la fonction ATC intégrée à notre lave-linge permet de maintenir un niveau de température de lavage donné afin d'obtenir les meilleures performances de lavage à chaque cycle.

REMARQUE

Si vous sélectionnez le cycle **Normal**, ce cycle concerne la régulation et le cycle UL. Étant donné que les nouveaux lave-linge doivent réduire la quantité d'énergie utilisée comme première priorité, les clients constateront que davantage d'eau froide est approvisionnée dans la lave-linge. Mais ceci est normal et ne présente aucun problème. Au cours de ces cycles de régulation, la température de l'eau chaude est similaire à celle acceptable pour l'eau d'un bain pour adulte et la température de l'eau tiède est similaire à celle agréable pour l'eau d'une piscine.

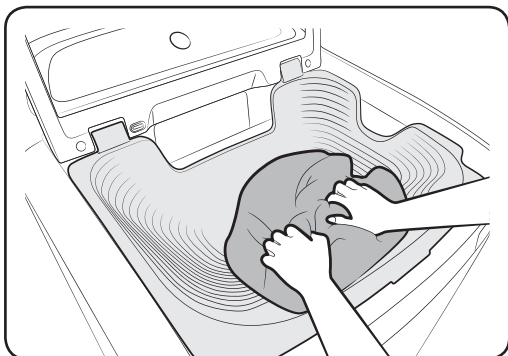
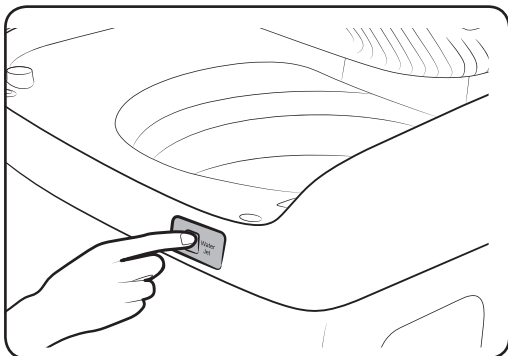
REMARQUE

Si les clients souhaitent laver leur linge à des températures d'eau spécifiques, ils doivent choisir un cycle différent à chaque température (Hot (Chaud)/Warm (Tiède)/Eco Warm (Tiède éco)).

Effectuer un lavage

Les basiques

Prélavage (Water Jet & Built-in sink) (Jet d'eau & Évier intégré)



Water Jet & Built-in sink (Jet d'eau et Évier intégré) vous aident à laver à la main avant que le lave-linge ne démarre. Water jet (Jet d'eau) est uniquement disponible quand la porte est ouverte et le niveau d'eau réglé sur moins qu'Élevé. Pour le prélavage, utilisez Built-in sink (Évier intégré), conçu pour faciliter le lavage à la main.

1. Avec la porte ouverte, abaissez l'évier intégré. Pour ouvrir seulement la porte, appuyez sur le coin avant droit de la porte puis relâchez-le. **Pour fermer et verrouiller la porte et l'évier intégré, appuyez sur la porte jusqu'à ce que vous entendiez un petit clic.**
 2. Placez les vêtements pour les prélever.
 3. Appuyez sur Water Jet (Jet d'eau) pour faire arriver l'eau dans l'évier intégré, puis lavez-vous les mains.
- Une fois terminé, soulevez doucement l'évier intégré pour évacuer l'eau dans le tambour.

REMARQUE

- Si vous souhaitez un lavage à la main alors que le lave-linge fonctionne, appuyez sur Start/Pause (Démarrer/Pause) pour arrêter le fonctionnement, puis suivez les étapes 1-4 ci-dessous.
- Si vous ouvrez la porte et l'Évier intégré, abaissez manuellement l'Évier intégré pour le prélavage.

[Le jet d'eau s'arrête]

- Le jet d'eau arrête de fonctionner automatiquement lorsque le lave-linge détecte le niveau d'eau maximum.
- Le jet d'eau arrête de fonctionner automatiquement 5 minutes après avoir commencé. Pour ajouter plus d'eau, appuyez à nouveau sur Water Jet (Jet d'eau) pour refournir de l'eau.

[Le jet d'eau vidange]

- Sélectionnez un programme et appuyez sur le bouton Start/Pause (Départ/Pause). Le lave-linge se met ensuite à vidanger l'eau à utiliser lors du prélavage.
- Lorsque le lave-linge est éteint avant de démarrer le programme de lavage, il vidange l'eau à utiliser lors du prélavage. Cependant, lorsqu'il est éteint lors du cycle de lavage, il ne vidange pas l'eau.

REMARQUE

- Le jet d'eau extrait l'eau à travers la buse à technologie Mist Shower pendant 1 seconde puis à travers la buse du jet d'eau lorsqu'il est d'abord activé après que le lave-linge s'allume.

ATTENTION

- N'abusez pas du Jet d'eau. Une utilisation excessive du Jet d'eau augmente la consommation d'eau.
- Quand vous faites passer l'eau dans le bac, faites cela doucement. Dans le cas contraire, l'eau pourrait déborder du bac.
- Soyez vigilants lorsque vous retirez du linge du tambour. Vous pourriez vous cogner la tête sur l'évier intégré.
- Ne bloquez pas la sortie du jet d'eau avec vos mains. L'eau peut fuir à l'extérieur du tambour, et entraîner un dysfonctionnement du système.
- Placez uniquement les vêtements à prélever dans l'évier intégré. D'autres articles tels que des chaussures, des aliments ou des animaux ne peuvent pas être utilisés pour un prélavage.
- N'ouvrez pas l'évier intégré à la hâte. L'eau restante dans l'évier peut éclabousser sur la porte ou le panneau de commande.
- Suite à une différence dans la pression de l'air, le jet d'eau peut éclabousser de l'eau depuis sa sortie lorsqu'il est d'abord activé.
- Ce couvercle doit être bien fermé pour faire la lessive.

Effectuer un lavage

Utilisation de la lessive



Votre lave-linge est conçu pour fonctionner avec des lessives haute efficacité (HE).

- Pour des résultats de lavage optimaux, utilisez une lessive haute efficacité telle que Tide HE, Wisk HE, Cheer HE ou Gain HE*. Les lessives haute efficacité contiennent des agents anti-mousse chargés de réduire, voire d'éliminer la mousse. Lorsqu'il y a moins de mousse, la charge tourne plus efficacement et le lavage est optimisé. (* Les noms de marque sont des marques déposées de leurs fabricants respectifs.)

AVERTISSEMENT

Les lessives classiques ne sont pas recommandées. Utilisez uniquement une lessive HE.

REMARQUE

Il est possible qu'une diminution de la quantité de lessive entraîne un lavage moins efficace. Pour plus d'efficacité, pré-traitez les taches, trie soigneusement le linge en fonction des couleurs et du degré de salissure et évitez de surcharger le lave-linge.

Fonctions

Distributeur automatique

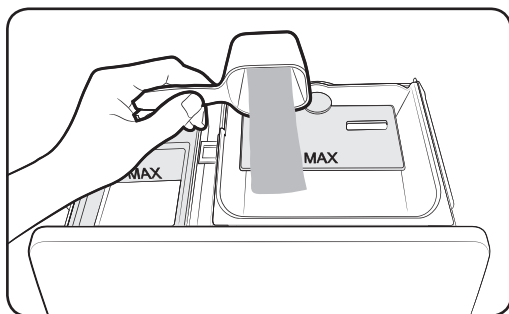
Votre lave-linge dispose de bacs séparés pour la distribution de lessive, d'agent de blanchiment non décolorant et d'adoucissant. Répartissez tous les additifs de lavage dans leurs bacs respectifs avant de démarrer votre lave-linge.

Le distributeur automatique doit toujours être refermé avant de démarrer votre lave-linge. **N'OUVREZ PAS** le distributeur automatique lorsque votre lave-linge est en marche.

REMARQUE

- Respectez toujours les quantités prescrites par le fabricant de la lessive.
- Il s'agit du compartiment réservé à la lessive qui sera expulsée dans le tambour lors du cycle de lavage principal.
- Si vous utilisez une lessive en poudre, retirez le compartiment à lessive liquide du tiroir à lessive. Le lave-linge ne libèrera pas de lessive en poudre depuis le bac à lessive liquide.

Ajouter la lessive dans le distributeur automatique :



1. Ouvrez le tiroir du distributeur.
2. Versez la quantité recommandée de lessive liquide (ou en poudre) dans le bac à lessive avant de démarrer votre lave-linge.
3. Fermez doucement et délicatement le tiroir afin d'éviter toute projection, éclaboussure ou dispersion précoce du produit.

REMARQUE

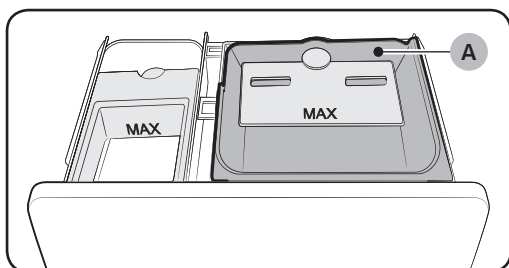
Il est normal qu'une petite quantité d'eau subsiste dans les bacs du distributeur à la fin du programme.

REMARQUE

Ne mettez pas d'eau de Javel chlorée dans le tiroir du distributeur.

Effectuer un lavage

Chargement du compartiment à lessive liquide (ou en poudre)



1. Versez la quantité recommandée de lessive directement dans le bac à lessive avant de démarrer votre lave-linge.
2. Si vous utilisez un javellisant non décolorant, versez-le avec la lessive dans le bac à lessive.

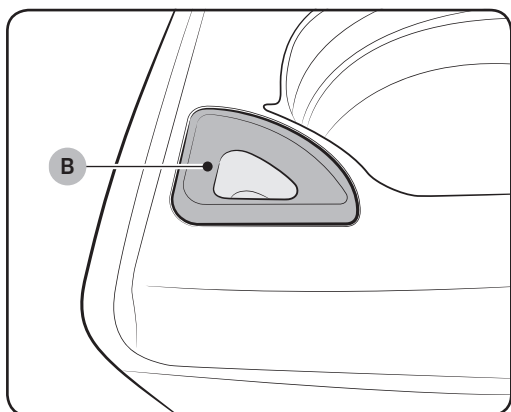
REMARQUE

Lorsque vous ajoutez du javellisant non décolorant à la lessive, il est préférable que les deux produits de lavage se présentent sous la même forme : liquide.

REMARQUE

Si vous utilisez une lessive en poudre, retirez le **compartiment à lessive liquide (A)** du tiroir à lessive. Le lave-linge ne libèrera pas de lessive en poudre depuis le bac à lessive liquide.

Chargement du bac à eau de Javel



ATTENTION

Utilisez uniquement de l'agent de blanchiment au chlore liquide.

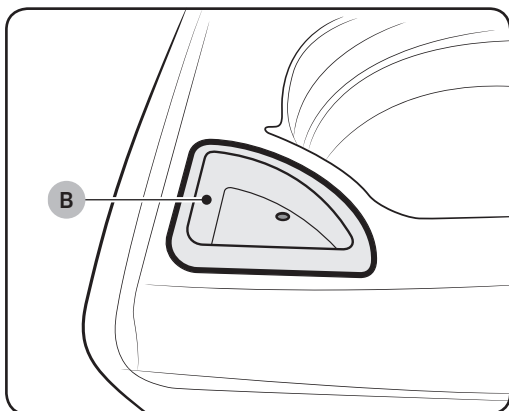
1. Ajoutez de l'agent de blanchiment chloré dans le **compartiment d'agent de blanchiment (B)**.
NE dépassez PAS le trait de remplissage maximum.

REMARQUE

- Évitez de renverser du produit ou de trop remplir le compartiment.
 - Votre lave-linge libère automatiquement l'eau de Javel dans le tambour au moment opportun.
2. Celle-ci est automatiquement diluée avant d'atteindre le linge.
 - Ne versez jamais d'eau de Javel chlorée directement sur le linge ou dans le tambour. Ce produit chimique puissant peut endommager et décolorer les fibres s'il n'est pas utilisé correctement.
 - Si vous préférez utiliser un javellisant non décolorant sans chlore, ajoutez-le dans le bac approprié.
NE VERSEZ PAS le javellisant non décolorant dans le bac à eau de Javel.

Effectuer un lavage

Chargement du bac à eau de Javel



⚠ ATTENTION

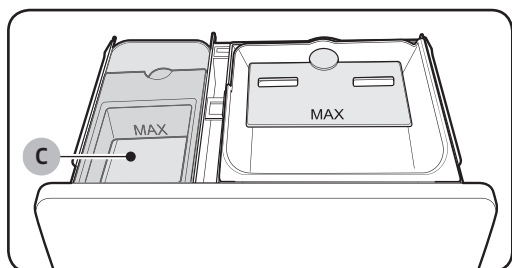
Utilisez uniquement un agent de blanchiment au chlore.

1. Ajoutez l'eau de Javel chlorée dans le **bac correspondant (B)**.
NE dépassez PAS le compartiment à javel.

📄 NOTA

- Évitez de renverser du produit ou de trop remplir le bac.
- Ne versez jamais d'eau de Javel chlorée directement sur le linge ou dans le tambour. Ce produit chimique puissant peut endommager et décolorer les fibres s'il n'est pas utilisé correctement.
- Si vous préférez utiliser un javellisant non décolorant sans chlore, ajoutez-le dans le bac approprié.
NE VERSEZ PAS le javellisant non décolorant dans le bac d'eau de Javel.

Chargement du compartiment à adoucissant



1. Versez la quantité recommandée d'adoucissant liquide dans le **compartiment à adoucissant (C)**. Pour des charges plus petites, utilisez moins d'un bouchon de produit.
2. L'adoucissant doit être dilué dans de l'eau pour atteindre le trait de remplissage maximum.
3. Le distributeur libère automatiquement l'adoucissant liquide à un moment bien précis du cycle de rinçage.

REMARQUE

- Utilisez le bac à adoucissant pour les adoucissants liquides **UNIQUEMENT**.
- N'utilisez **PAS** la boule doseuse (type Downy Ball*) dans le bac à adoucissant de ce lave-linge. Elle ne libérera pas l'adoucissant au moment opportun. Utilisez le compartiment à adoucissant. (* Les noms de marque sont des marques déposées de leurs fabricants respectifs.)
- N'utilisez pas de l'adoucissant trop épais, car il risque de mal se mélanger à l'eau.

Entretien de votre lave-linge

Nettoyer l'extérieur

1. Fermez les robinets d'arrivée d'eau après avoir terminé la lessive de la journée.
afin d'empêcher tout dégât des eaux. Laissez le couvercle ouvert pour permettre à l'intérieur de votre lave-linge de sécher.
2. Utilisez un chiffon doux pour essuyer les traces de lessive, d'agent de blanchiment ou d'autres produits sur les parois de la machine.
3. Conseils de nettoyage :
Panneau de commande : nettoyez-le avec un chiffon doux et humide. N'utilisez pas de poudres abrasives ni de tampons à récurer. Ne vaporisez aucun produit d'entretien directement sur le panneau de commande.

Nettoyer l'intérieur

Nettoyez régulièrement le tambour pour enlever la poussière, la saleté, les odeurs, les moisissures ou les bactéries qui pourraient s'y être accumulées après une lessive.

Le non-respect de ces instructions peut avoir des conséquences désagréables, comme le dégagement d'odeurs désagréables ou le transfert de traces indélébiles sur le lave-linge ou le linge. Éliminez les dépôts calcaires si besoin. Utilisez des produits adaptés aux lave-linge.

Entreposage de votre lave-linge

Les lave-linge peuvent être endommagés si l'eau n'est pas retirée des tuyaux et des composants internes avant l'entreposage. Avant d'entrepoiser votre lave-linge, procédez comme suit :

1. Sélectionnez le programme Lavage express et versez de l'eau de Javel dans le distributeur automatique. Faites fonctionner le lave-linge à vide.
2. Fermez les robinets d'eau et débranchez les tuyaux d'arrivée.
3. Débranchez votre lave-linge de l'alimentation électrique et laissez le couvercle du lave-linge ouvert pour aérer l'intérieur du tambour.
Si votre lave-linge a été entreposé à des températures inférieures à 0 °C, attendez que l'eau gelée à l'intérieur dégèle avant de l'utiliser à nouveau.

Protection du capot supérieur et du panneau avant

N'entreposez pas d'objets lourds (ex. : baril de lessive) ou à arêtes tranchantes sur le lave-linge. Ceci risquerait de rayer ou d'endommager le capot supérieur de la machine.

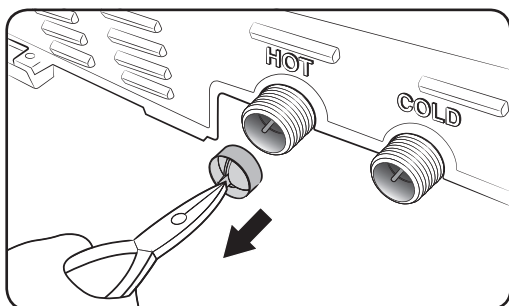
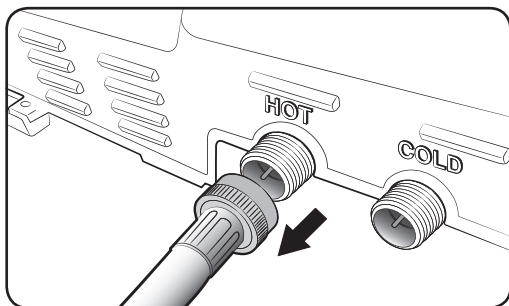
REMARQUE

Les faces du lave-linge étant lisses et brillantes, elles sont sensibles aux rayures et aux coups.

Évitez de les endommager lorsque vous utilisez le lave-linge.

Nettoyez le filtre fin

Nettoyez le filtre fin du tuyau d'arrivée d'eau une ou deux fois par an.

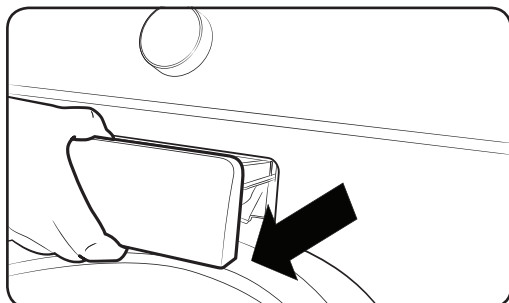


1. Coupez le lave-linge et débranchez le cordon d'alimentation.
2. Fermez le robinet d'eau.
3. Dévissez et débranchez le tuyau d'arrivée d'eau situé à l'arrière du lavelinge. Couvrez le tuyau avec un chiffon pour éviter que l'eau ne se répande.
4. Utilisez des pinces pour retirer le filtre à maille de la vanne d'entrée.
5. Immergez le filtre à maille dans l'eau en veillant à ce que le raccord fileté soit lui aussi sous l'eau.
6. Séchez le filtre fin à l'ombre.
7. Réinsérez le filtre à maille dans la vanne d'entrée, et reconnectez le tuyau d'eau à la vanne d'entrée.
8. Ouvrez le robinet d'eau.

NOTE

Si el filtro de malla está obstruido, aparecerá en la pantalla el código de error "4C".

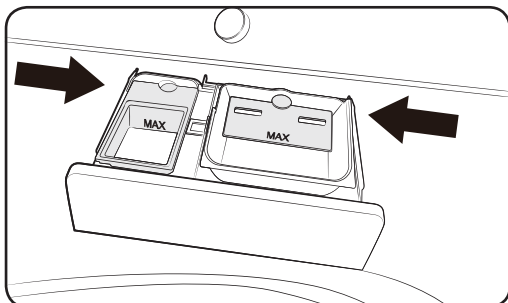
Nettoyer les bacs



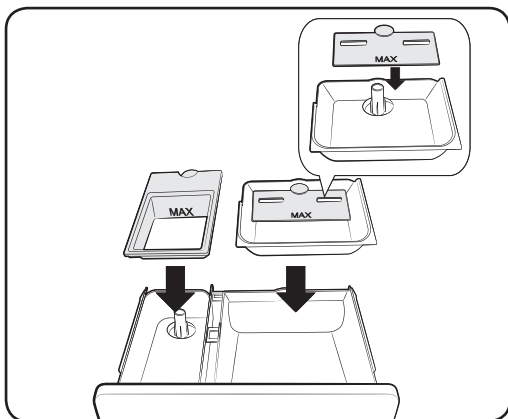
Il convient de nettoyer régulièrement le distributeur automatique afin d'en retirer les traces éventuelles de produits de lavage.

1. Tirez le tiroir du distributeur en arrière jusqu'à ce qu'il s'arrête.

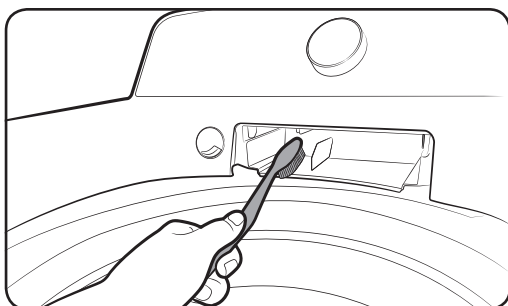
Entretien de votre lave-linge



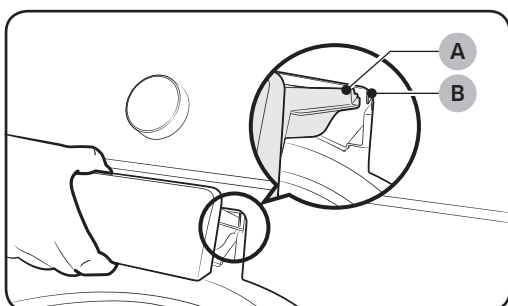
2. Appuyez sur les extrémités de chaque côté du boîtier en même temps. Lorsque les extrémités vous semblent bien enfoncées, tirez le tiroir du distributeur.



3. Retirez les fixations des 3 bacs. Rincez les fixations et le tiroir avec de l'eau chaude pour effacer les traces des produits de nettoyage accumulés.

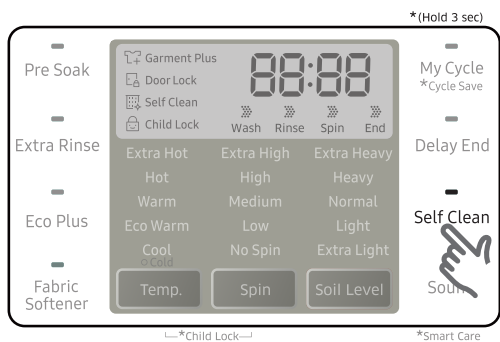


4. Pour nettoyer l'ouverture du tiroir, utilisez une petite brosse non métallique pour nettoyer le compartiment. Retirez tous les résidus des parties supérieures et inférieures du compartiment du tiroir.



5. Remettez les éléments dans les compartiments appropriés et réinstallez le tiroir en plaçant le rail du tiroir du distributeur (B) au-dessus du rail du compartiment (A). (Inclinez le tiroir du distributeur vers le bas et insérez-le.) Ensuite, poussez le tiroir à l'intérieur, fermement et lentement.

Auto-nettoyage



Le cycle Self Clean (Auto-nettoyage) est un cycle d'auto-nettoyage permettant d'éliminer les moisissures pouvant se former à l'intérieur du lave-linge.

1. Appuyez sur **Power (Marche/Arrêt)**.
2. Sélectionnez **Self Clean (Auto-nettoyage)**.

Une fois que vous avez sélectionné **Self Clean (Auto-nettoyage)**, la seule fonction disponible pouvant être programmée est Delay End (Arrêt différé).

3. Appuyez sur le bouton **Start/Pause (Départ/Pause)**.

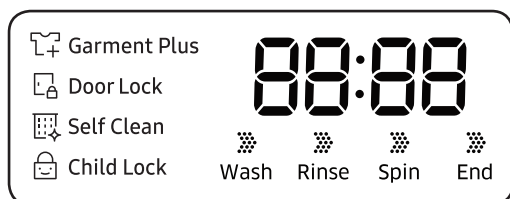
Le cycle Self Clean (Auto-nettoyage) commence.


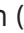


⚠ ATTENTION

- Grâce à ce programme, vous pouvez nettoyer le tambour sans utiliser de produit de nettoyage.
- N'utilisez jamais le programme Self Clean (Auto-nettoyage) si le lave-linge contient du linge. Cela risquerait d'endommager le linge ou le lave-linge.

Entretien de votre lave-linge

Fonctionnement du voyant automatique Self Clean (Auto-nettoyage)



- Si le voyant  **Self Clean (Auto-nettoyage)** est allumé après un lavage, cela indique qu'un nettoyage du tambour est nécessaire. Dans ce cas, retirez le linge du lave-linge, allumez la machine puis nettoyez le tambour en lançant le cycle Self Clean (Auto-nettoyage).
- Si vous ne lancez pas de cycle Self Clean (Auto-nettoyage), le voyant  **Self Clean (Auto-nettoyage)** s'éteint. Toutefois, le voyant  **Self Clean (Auto-nettoyage)** s'allumera à nouveau après deux lavages. Ne pas lancer de cycle Self Clean (Auto-nettoyage) à ce stade ne met pas en péril le bon fonctionnement du lave-linge.
- Bien que le voyant  **Self Clean (Auto-nettoyage)** s'allume environ une fois par mois, il est possible que la fréquence d'apparition varie en fonction de la fréquence d'utilisation du lave-linge.

Dépannage

Contrôles à effectuer

Si vous rencontrez un problème avec le lave-linge, consultez d'abord le tableau ci-dessous et essayez les actions suggérées.

Problème	Action
Ne se met pas en marche.	<ul style="list-style-type: none">Assurez-vous d'utiliser la puissance nominale pour le produit.Assurez-vous que le cordon d'alimentation est bien branché.Vérifiez le fusible ou réinitialisez le disjoncteur.
Ne démarre pas.	<ul style="list-style-type: none">Assurez-vous que le hublot est fermé.Assurez-vous que les robinets d'eau sont ouverts.Assurez-vous d'appuyer ou de taper sur Départ/Pause pour démarrer le lave-linge.Assurez-vous que Sécurité enfant n'est pas activé.Avant que le lave-linge commence à se remplir, il fera une série de bruits de cliquetis pour contrôler le verrouillage de la porte et effectuera une brève vidange.Le hublot était-il ouvert pendant le programme d'essorage? Fermez le hublot et appuyez sur le bouton Start/Pause (Démarrer/Pause) pour reprendre.L'appareil entre en mode Veille ou se trouve dans un programme de trempage. Veuillez attendre.Vérifiez le fusible ou réinitialisez le disjoncteur.
L'eau n'arrive pas.	<ul style="list-style-type: none">Assurez-vous d'appuyer sur le bouton Start/Pause (Démarrer/Pause) après avoir sélectionné l'alimentation d'eau.Assurez-vous que les robinets d'eau sont ouverts.Le filet de filtrage sur le connecteur du tuyau d'alimentation d'eau est-il obstrué? Nettoyez le filet de filtrage en brossant avec une brosse à dents.L'alimentation d'eau est-elle coupée ? Si l'alimentation d'eau est coupée, fermez le robinet et mettez hors tension.Démêlez les tuyaux d'alimentation d'eau.Ouvrez et fermez le hublot, puis appuyez ou tapez sur le bouton Start/Pause (Démarrer/Pause).Si la pression d'eau est faible, le démarrage du lavage prend plus longtemps.Si le niveau d'eau n'est pas aussi élevé que nécessaire ou inférieur à ce qui est prévu, utilisez le sélecteur de niveau pour régler le niveau d'eau.

Dépannage

Problème	Action
Après un programme, du détergent reste dans le distributeur automatique.	<ul style="list-style-type: none">Assurez-vous que la pression d'eau est suffisante pour faire fonctionner le lave-linge.Assurez-vous que le tiroir de lessive est bien inséré.Enlevez et nettoyez le tiroir à lessive puis essayez à nouveau.
Vibre beaucoup ou fait du bruit.	<ul style="list-style-type: none">Assurez-vous que le lave-linge est installé sur une surface plane. Si la surface n'est pas mise à niveau, utilisez le pied de mise à niveau pour régler le lave-linge.Assurez-vous que le lave-linge n'est en contact avec aucun autre objet.Assurez-vous que la charge de linge est bien équilibrée.Assurez-vous que le linge est réparti uniformément dans le lave-linge. Répartissez uniformément le linge et démarrez à nouveau.Assurez-vous que l'espace autour du lave-linge se trouve libre de tout objet.Un bourdonnement pendant le fonctionnement est normal.Les objets tels que les pièces peuvent provoquer du bruit. Enlevez ces objets du lave-linge une fois le lavage terminé.
Le lave-linge s'arrête.	<ul style="list-style-type: none">Branchez le cordon d'alimentation dans une prise en tension.Vérifiez le fusible ou réinitialisez le disjoncteur.Fermez le hublot et appuyez sur le bouton Start/Pause (Démarrer/Pause) pour démarrer le lave-linge. Pour des raisons de sécurité, le lave-linge n'essore pas tant que le hublot n'est pas fermé.Avant que le lave-linge commence à se remplir, il fera une série de bruits de cliquetis pour contrôler le verrouillage de la porte et effectuera une brève vidange.Il peut y avoir une période de pause ou de trempage dans le programme. Attendez un peu et le lave-linge redémarrera.Assurez-vous que les filtres du flexible sur les robinets ne sont pas obstrués. Nettoyez périodiquement les filtres.Ce problème se produit temporairement du fait des basses tensions et il sera résolu quand l'alimentation reviendra.

Problème	Action
<p>La température de l'eau n'est pas correcte.</p>	<ul style="list-style-type: none"> • Ouvrez complètement les deux robinets. • Assurez-vous que la sélection de température est correcte. • Assurez-vous que les tuyaux sont raccordés aux bons robinets. Vidangez les conduites d'eau. • Débranchez les tuyaux et nettoyez les tamis. Les tamis des filtres des tuyaux peuvent être obstrués. • Quand le lave-linge se remplit, la température de l'eau peut changer puisque la fonction de contrôle automatique de la température contrôle la température de l'eau entrante. Ceci est normal. • Quand le lave-linge se remplit, vous pouvez constater que seule de l'eau chaude et/ou seule de l'eau froide passe par le distributeur quand des températures froides ou chaudes sont sélectionnées. <p>Il s'agit d'une fonction normale de la fonction de contrôle automatique de la température puisque le lave-linge détermine la température de l'eau.</p>
<p>Le hublot (couvercle) est verrouillé ou ne s'ouvre pas.</p>	<ul style="list-style-type: none"> • Quand le lave-linge fonctionne, appuyez sur le bouton Start/Pause (Démarrer/Pause) pour arrêter le lave-linge. • Le mécanisme de verrouillage de la porte se désenclenchera au bout de quelques instants.
<p>Ne vidange pas et/ou n'essore pas.</p>	<ul style="list-style-type: none"> • Vérifiez le fusible ou réinitialisez le disjoncteur. • Assurez-vous que la tension électrique est normale. • Assurez-vous que le lave-linge est branché. • Assurez-vous que le tuyau de vidange est orienté vers le bas. (Modèles de vidange naturelle uniquement) • Assurez-vous que le tuyau de vidange n'est pas obstrué. • Assurez-vous que le tuyau de vidange n'est pas tordu. • Démêlez tous les tuyaux. Si la vidange ne s'effectue pas, appelez le service de dépannage. • Fermez le hublot et appuyez sur le bouton Start/Pause (Démarrer/Pause). Pour des raisons de sécurité, le lave-linge n'essore pas tant que le hublot n'est pas fermé.

Dépannage

Problème	Action
La charge est humide à la fin d'un programme.	<ul style="list-style-type: none">• Utilisez la vitesse d'essorage Élevée ou Très élevée. (uniquement modèles applicables)• Utilisez de la lessive à haute efficacité (HE) pour réduire la quantité excessive de mousse.• La charge est trop petite. De petites charges (un ou deux articles) peuvent provoquer un déséquilibre et ne pas essorer complètement.
Fuites d'eau.	<ul style="list-style-type: none">• Assurez-vous que tous les raccords des tuyaux sont étanches.• Assurez-vous que le joint en caoutchouc du tuyau d'alimentation se trouve en bonne position. Vissez à nouveau fermement.• S'assurer que l'extrémité du tuyau de vidange est correctement inséré et fixé sur le système de vidange.• Évitez toute surcharge.• Utilisez de la lessive à haute efficacité (HE) pour éviter une quantité excessive de mousse.• Assurez-vous que le tuyau d'alimentation d'eau n'est pas tordu.• Si l'alimentation d'eau est trop forte, il peut y avoir une fuite d'eau. Fermez légèrement le robinet d'eau.• Assurez-vous que l'eau ne fuit pas du robinet d'eau. Si c'est le cas, réparez le robinet d'eau.
Trop de mousse.	<ul style="list-style-type: none">• Utilisez de la lessive à haute efficacité (HE) pour éviter une quantité excessive de mousse.• Réduisez le volume de lessive pour l'eau douce, les petites charges ou les charges légèrement sales.• De la lessive non-HE n'est pas recommandée.
Le panier d'essorage ou le tuyau de vidange/ d'alimentation est gelé.	<ul style="list-style-type: none">• Utilisez de l'eau tiède pour déconnecter le tuyau d'alimentation d'eau et le tuyau de vidange. Rincez-les dans l'eau tiède.• Remplissez le panier d'essorage avec de l'eau tiède puis attendez environ 10 minutes.• Placez une serviette chaude sur le connecteur du tuyau de vidange.• Reconnectez le tuyau d'alimentation d'eau et le tuyau de vidange et vérifiez si l'eau arrive correctement.



Problème	Action
L'eau est immédiatement vidangée.	<ul style="list-style-type: none"> Assurez-vous que le tuyau de vidange n'est pas obstrué, et qu'il est accroché au crochet du tuyau de vidange. Remplissez le panier d'essorage de moitié avec de l'eau, et essayez à nouveau d'essorer. Levez l'extrémité du tuyau de vidange pour éviter que la vidange de l'eau. Remplissez le panier d'essorage de moitié avec de l'eau, et lancez à nouveau l'essorage après avoir relâché le tuyau de vidange. Assurez-vous que le tuyau de vidange est correctement installé. Consultez la section d'installation de ce manuel utilisateur et réglez la position du tuyau de vidange comme indiqué.
Taches sur les vêtements.	<ul style="list-style-type: none"> Sélectionnez un cycle approprié pour le linge. Utilisez le cycle Heavy Duty (Grand rendement) pour les vêtements tachés. Appliquez la quantité recommandée de lessive conformément aux instructions du fabricant de la lessive. Nettoyez régulièrement le filtre magique (s'il est fourni avec votre lave-linge).
Odeurs.	<ul style="list-style-type: none"> Une quantité excessive de mousse peut s'amasser dans les recoins peut provoquer des mauvaises odeurs. Lancez des programmes de nettoyage pour assainir périodiquement. Séchez l'intérieur du lave-linge une fois un programme terminé.


Si un problème persiste, contactez un service de service Samsung local.

Codes d'erreur

Des codes d'erreur peuvent s'afficher pour vous indiquer le problème rencontré par le lave-linge.

Dépannage

N°	Code	Action
1	1C	<p>Le capteur de niveau d'eau ne fonctionne pas correctement.</p> <ul style="list-style-type: none">• Vérifiez le faisceau de câbles du capteur de niveau d'eau.• Si le code information reste, contactez un centre de service client. <p> REMARQUE</p> <p>Lorsque le lave-linge affiche « 1C », cela signifie que le lave-linge effectue une vidange pendant 3 minutes. Pendant ce temps-là, le bouton Power (Marche/Arrêt) est indisponible.</p>
2	3C	<p>Vérifiez le fonctionnement du moteur.</p> <ul style="list-style-type: none">• Essayez de redémarrer le programme.• Si le problème persiste, appelez le service de dépannage.
3	4C	<p>L'eau n'arrive pas.</p> <ul style="list-style-type: none">• Assurez-vous que les robinets d'eau sont ouverts.• Assurez-vous que les tuyaux de vidange ne sont pas obstrués.• Assurez-vous que les robinets d'eau ne sont pas gelés.• Assurez-vous que le lave-linge fonctionne avec une pression d'eau suffisante.• Assurez-vous que le robinet d'eau froide et le robinet d'eau chaude sont bien raccordés.• Nettoyez le filtre à maille car il peut être obstrué. <p> REMARQUE</p> <p>Lorsque le lave-linge affiche « 4C », cela signifie que le lave-linge effectue une vidange pendant 3 minutes. Pendant ce temps-là, le bouton Power (Marche/Arrêt) est indisponible.</p>
4	4C2	<ul style="list-style-type: none">• Assurez-vous que le tuyau d'arrivée d'eau froide est bien raccordé au robinet d'eau froide. <p>S'il est raccordé au robinet d'eau chaude, le linge peut être déformé avec certains programmes.</p>

N°	Code	Action
5	5C	<p>L'eau n'est pas vidangée.</p> <ul style="list-style-type: none"> • Assurez-vous que le tuyau de vidange n'est pas gelé ni obstrué. • Assurez-vous que le tuyau de vidange est positionné correctement, selon le type de raccordement. • Nettoyez le filtre à débris car il peut être obstrué. • S'assurer que le tuyau de vidange est redressé sur tout le système de vidange. • Si le code information reste, contactez un centre de service client.
6	9C1	<p>Le contrôle électronique doit être vérifié (Erreur surtension).</p> <ul style="list-style-type: none"> • Vérifiez la carte de circuit imprimé et le faisceau électrique. • Vérifiez si l'alimentation arrive correctement. • Si le code information reste, contactez un centre de service client.
7	9C2	<p>Faible tension détectée</p> <ul style="list-style-type: none"> • Vérifiez si le cordon d'alimentation est branché. • Si le code information reste, contactez un centre de service client.
8	AC6	<p>Problème de communication de l'inverseur</p> <ul style="list-style-type: none"> • Vérifiez la carte de circuit imprimé de l'inverseur et le faisceau de câbles. • Si le code information reste, contactez un centre de service client.
9	dC	<p>Utilisation du lave-linge avec la porte ouverte.</p> <ul style="list-style-type: none"> • Assurez-vous que la porte est bien fermée. • Assurez-vous que le linge n'est pas pris dans la porte.
10	HC	<p>Contrôle du chauffage de la température élevée</p> <ul style="list-style-type: none"> • Si le code information reste, contactez un centre de service client.
11	LC	<p>Vérifiez le tuyau de vidange.</p> <ul style="list-style-type: none"> • Assurez-vous que l'extrémité du tuyau de vidange est placée sur le sol. • Assurez-vous que le tuyau de vidange n'est pas obstrué. • Si le code information reste, contactez un centre de service client. <p> REMARQUE</p> <p>Lorsque le lave-linge affiche « LC », cela signifie que le lave-linge effectue une vidange pendant 3 minutes. Pendant ce temps-là, le bouton Power (Marche/Arrêt) est indisponible.</p>

Dépannage

N°	Code	Action
12	OC	L'eau déborde. <ul style="list-style-type: none">• Redémarrez après essorage.• Si le code information reste sur l'affichage, contactez un centre de service Samsung.
13	PC	Quand la position de l'embrayage ne peut être détectée. <ul style="list-style-type: none">• Si le code information reste, contactez un centre de service client.
14	PC1	Après que la position de l'embrayage ait été détectée, si le signal du capteur à effet Hall de l'embrayage indique une erreur. <ul style="list-style-type: none">• Si le code information reste, contactez un centre de service client.
15	Ub	L'essorage ne fonctionne pas. <ul style="list-style-type: none">• Assurez-vous que le linge est réparti de manière uniforme.• Assurez-vous que le lave-linge se trouve sur une surface plate et stable.• Rééquilibrez la charge. Si seul un vêtement nécessite un lavage, tel qu'une robe de chambre ou un jean, l'essorage final peut ne pas être satisfaisant, et un message de contrôle « Ub » s'affichera à l'écran.
16	Ur	Rinçage supplémentaire. <ul style="list-style-type: none">• Afficher le rinçage supplémentaire lors de la détection de déséquilibre.• Méthode de désactivation de l'affichage. Toute saisie de touche.





Pour tout autre code non répertorié ci-dessus, appelez le 1-800-726-7864 (1-800-SAMSUNG).

Caractéristiques techniques

Tableau des symboles textiles

Les symboles suivants fournissent des conseils d'entretien des vêtements. Les étiquettes d'entretien des vêtements incluent des symboles relatifs au séchage, au blanchiment, au séchage et repassage ou au nettoyage à sec, le cas échéant. L'utilisation de ces symboles garantit la cohérence des informations entre les fabricants de vêtements (articles domestiques ou importés). Suivez les instructions sur l'étiquette d'entretien afin d'optimiser la durée de vie de votre linge et d'éviter des problèmes au lavage.

Cycle de lavage

	Normal
	Infroissable / Anti-froissement
	Délicat
	Lavage main

Température de l'eau




...	Chaud
..	Tiède
.	Froide

REMARQUE

Il s'agit des températures appropriées de l'eau de lavage pour divers articles. Les niveaux de températures sont : Chaud (41 à 52 °C), Tiède (29 à 41 °C) et Froide (16 à 29 °C). La température de l'eau de lavage doit être d'au moins 16 °C pour activer les agents nettoyants et obtenir un lavage efficace.

Ces températures ne sont pas garanties car les températures réelles de l'eau entrant dans le lave-linge dépendent des réglages du chauffe-eau et de la température d'arrivée d'eau. Exemple : en hiver, l'eau froide au robinet dans les pays du nord peut approcher les 40 °F/4 °C, ce qui est trop froid pour un lavage efficace. Dans ce cas, la température de l'eau doit être réajustée en sélectionnant un réglage chaud, en ajoutant de l'eau chaude jusqu'au trait de remplissage maximum ou en utilisant l'option de chauffage du lave-linge, le cas échéant.




Agent de blanchiment

	Tout type (si nécessaire)
	Agent de blanchiment non chloré (non décolorant) uniquement (si nécessaire)
	Séchage en machine

Normal

	Infroissable / Anti-froissement
	Délicat

Consignes spéciales

	Séchage sur corde/en suspension
	Séchage sans essorage
	Séchage à plat

Caractéristiques techniques

Température

	Élevée
	Moyenne
	Basse
	Toutes températures
	Sans chaleur/À l'air libre

Nettoyage à sec

	Nettoyage à sec
	Pas de nettoyage à sec
	Séchage sur corde/en suspension
	Séchage sans essorage
	Séchage à plat

Températures de repassage facile ou vapeur

	Élevée
	Moyenne
	Basse

Symboles d'avertissement pour le lavage

	Ne pas laver
	Ne pas tordre
	Pas de chlorage
	Séchage en machine interdit
	Pas de vapeur (ajoutée au fer à repasser)
	Pas de repassage

Respect de l'environnement

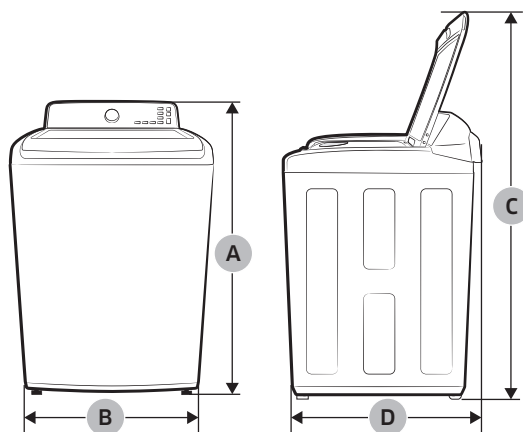
- Votre lave-linge a été fabriqué à partir de matériaux recyclables. Si vous décidez de vous en débarrasser, veuillez respecter les normes locales en matière de traitement des déchets. Coupez le cordon d'alimentation de façon à ce que l'appareil ne puisse pas être raccordé à une source électrique. Enlevez le couvercle pour que des animaux et des jeunes enfants ne se retrouvent pas piégés à l'intérieur de l'appareil.
- Ne dépassez pas les quantités de lessive préconisées par le fabricant de la lessive.
- N'utilisez de produits détachants et blanchissants avant le programme de lavage qu'en cas de nécessité.
- Économisez de l'eau et de l'électricité en ne faisant tourner que des charges pleines (la charge exacte dépend du programme utilisé).

Déclaration de conformité

Cet appareil est conforme à la norme UL2157.

Caractéristiques techniques

Fiche de spécifications



Type		Lave-linge à chargement par le haut	
Nom du modèle		WA52M7750A* / WA52M7755A*	
Dimensions (pouces (cm))	A. Hauteur	46,0 (116,8)	
	B. Largeur	27,0 (68,6)	
	C. Hauteur, couvercle ouvert	59,8 (152,0)	
	D. Profondeur	29,3 (74,4)	
Pression d'eau (psi (kPa))		20 à 116 (137 à 800)	
Poids net (kg (lb))		67 (147,7)	
Vitesse d'essorage		800 tr/min	
Puissance de chauffe	Lavage	120 V	700 W
	Essorage	120 V	400 W
	Vidange	120 V	80 W

Tableau des cycles

Utilisez ce tableau afin de définir les programmes et options les mieux adaptés à votre linge.
WA52M7750A*

REMARQUE

Réglage	Temp. (Température)	Spin (Essorage)	Soil Level (Degré de salissure)
● : réglage d'usine	EH: Extra Hot (Extra Chaud)	EH: Extra High (Extra élevée)	EH: Extra Heavy (Extra Fort)
● : peut être sélectionné	H: Hot (Chaud)	H: High (Élevée)	H: Heavy (Fort)
	W: Warm (Tiède)	M: Medium (Moyenne)	N: Normal (Normal)
	C: Cool (Refroidissement)	L: Low (Faible)	L: Light (Léger)
	CD: Cold (Froid)	NS: No Spin (Sans essorage)	EL: Extra Light (Extra Léger)

Cycle	Temp. (Température)						Spin (Essorage)					Soil Level (Degré de salissure)				
	EH	H	W	EW	C	CD	EH	H	M	L	NS	EH	H	N	L	EL
NORMAL	●	●	●	●	●	●	●	●	●	●	●	●	●	●	●	●
HEAVY DUTY (GRAND RENDEMENT)		●	●	●	●	●	●	●	●	●	●	●	●	●	●	●
DEEP WASH (LAVAGE EN PROFONDEUR)		●	●	●	●	●	●	●	●	●	●	●	●	●	●	●
DELICATES (DÉLICAT)			●	●	●	●			●	●	●					●
BRILLIANT WHITES (BLANCS ÉCLATANTS)		●	●	●	●	●	●	●	●	●	●	●	●	●	●	●
BEDDING/WATERPROOF (LINGE DE LIT/ IMPERMEABLES)		●	●	●	●	●	●	●	●	●	●	●	●	●	●	●
PERM PRESS (INFROISSABLES)		●	●	●	●	●	●	●	●	●	●	●	●	●	●	●
QUICK WASH (LAVAGE EXPRESS)		●	●	●	●	●	●	●	●	●	●	●	●	●	●	●
STEAM SANITIZE (STÉRILISATION VAPEUR)	●						●	●	●	●	●	●	●	●	●	●
RINSE+SPIN (RINÇAGE + ESSORAGE)							●	●	●	●	●					
SPIN (ESSORAGE)							●	●	●	●	●					
ACTIVE WEAR (VÊTEMENTS QUOTIDIENS)			●	●	●	●	●	●	●	●	●			●	●	●
COLORS/DARKS (COULEURS/FONCÉ)			●	●	●	●	●	●	●	●	●	●	●	●	●	●
SELF CLEAN (AUTO-NETTOYAGE)		●							●							

Caractéristiques techniques

Cycle	Options					
	Pre Soak (Prétrempage)	Extra Rinse (Rinçage intensif)	Eco Plus	Fabric Softener (Adoucissant)	My Cycle (Mon programme)	Delay End (Arrêt Différé)
NORMAL	●	●	●	●	●	●
HEAVY DUTY (GRAND RENDEMENT)	●	●	●	●	●	●
DEEP WASH (LAVAGE EN PROFONDEUR)	●	●	●	●	●	●
DELICATES (DÉLICAT)		●		●	●	●
BRILLIANT WHITES (BLANCS ÉCLATANTS)	●	●	●	●	●	●
BEDDING/WATERPROOF (LINGE DE LIT/ IMPERMEABLES)	●	●		●	●	●
PERM PRESS (INFROISSABLES)	●	●	●	●	●	●
QUICK WASH (LAVAGE EXPRESS)		●		●	●	●
STEAM SANITIZE (STÉRILISATION VAPEUR)	●	●		●	●	●
RINSE+SPIN (RINÇAGE + ESSORAGE)		●		●	●	●
SPIN (ESSORAGE)					●	●
ACTIVE WEAR (VÊTEMENTS QUOTIDIENS)	●	●	●	●	●	●
COLORS/DARKS (COULEURS/FONCÉ)	●	●	●	●	●	●
SELF CLEAN (AUTO- NETTOYAGE)					●	●

Utilisez ce tableau afin de définir les programmes et options les mieux adaptés à votre linge.
WA52M7755A*

NOTE

Réglage	Temp. (Température)	Spin (Essorage)	Soil Level (Degré de salissure)
●: réglage d'usine	EH: Extra Hot (Extra Chaud)	EH: Extra High (Extra élevée)	EH: Extra Heavy (Extra Fort)
●: peut être sélectionné	H: Hot (Chaud)	H: High (Élevée)	H: Heavy (Fort)
	W: Warm (Tiède)	M: Medium (Moyenne)	N: Normal (Normal)
	C: Cool (Refroidissement)	L: Low (Faible)	L: Light (Léger)
	CD: Cold (Froid)	NS: No Spin (Sans essorage)	EL: Extra Light (Extra Léger)

Cycle	Temp. (Température)						Spin (Essorage)					Soil Level (Degré de salissure)				
	EH	H	W	EW	C	CD	EH	H	M	L	NS	EH	H	N	L	EL
NORMAL	●	●	●	●	●	●	●	●	●	●	●	●	●	●	●	●
HEAVY DUTY (GRAND RENDEMENT)		●	●	●	●	●	●	●	●	●	●	●	●	●	●	●
SUPER SPEED (HAUTE VITESSE)		●	●	●	●	●	●	●	●	●	●	●	●	●	●	●
DEEP WASH (LAVAGE EN PROFONDEUR)		●	●	●	●	●	●	●	●	●	●	●	●	●	●	●
DELICATES (DÉLICAT)			●	●	●	●			●	●	●					●
BRILLIANT WHITES (BLANCS ÉCLATANTS)		●	●	●	●	●	●	●	●	●	●	●	●	●	●	●
BEDDING/WATERPROOF (LINGE DE LIT/ IMPERMEABLES)		●	●	●	●	●		●	●	●	●	●	●	●	●	●
PERM PRESS (INFROISSABLES)		●	●	●	●	●	●	●	●	●	●	●	●	●	●	●
QUICK WASH (LAVAGE EXPRESS)		●	●	●	●	●	●	●	●	●	●	●	●	●	●	●
STEAM SANITIZE (STÉRILISATION VAPEUR)	●						●	●	●	●	●	●	●	●	●	●
RINSE+SPIN (RINÇAGE + ESSORAGE)							●	●	●	●	●					
SPIN (ESSORAGE)							●	●	●	●	●					
ACTIVE WEAR (VÊTEMENTS QUOTIDIENS)			●	●	●	●		●	●	●	●			●	●	●
SELF CLEAN (AUTO-NETTOYAGE)		●							●							

Caractéristiques techniques

Cycle	Options					
	Pre Soak (Prétrempage)	Extra Rinse (Rinçage intensif)	Eco Plus	Fabric Softener (Adoucissant)	My Cycle (Mon programme)	Delay End (Arrêt Différé)
NORMAL	●	●	●	●	●	●
HEAVY DUTY (GRAND RENDEMENT)	●	●	●	●	●	●
SUPER SPEED (HAUTE VITESSE)		●		●	●	●
DEEP WASH (LAVAGE EN PROFONDEUR)	●	●	●	●	●	●
DELICATES (DÉLICAT)		●		●	●	●
BRILLIANT WHITES (BLANCS ÉCLATANTS)	●	●	●	●	●	●
BEDDING/WATERPROOF (LINGE DE LIT/ IMPERMEABLES)	●	●		●	●	●
PERM PRESS (INFROISSABLES)	●	●	●	●	●	●
QUICK WASH (LAVAGE EXPRESS)		●		●	●	●
STEAM SANITIZE (STÉRILISATION VAPEUR)	●	●		●	●	●
RINSE+SPIN (RINÇAGE + ESSORAGE)		●		●	●	●
SPIN (ESSORAGE)					●	●
ACTIVE WEAR (VÊTEMENTS QUOTIDIENS)	●	●	●	●	●	●
SELF CLEAN (AUTO-NETTOYAGE)					●	●

Garantie (États-Unis)

LAVE-LINGE SAMSUNG

GARANTIE LIMITÉE À L'ACHETEUR INITIAL

Ce produit de la marque SAMSUNG, fourni, distribué par SAMSUNG ELECTRONICS AMERICA, INC. (SAMSUNG) et livré neuf, s'accompagne d'une garantie de SAMSUNG contre tout vice de fabrication au niveau des pièces et de la main d'œuvre pendant une période limitée de : Un (1) an pour les pièces et la main d'œuvre ; Trois (3) ans pour les pièces en acier inoxydable du tambour ; Dix (10) ans pour les pièces du moteur de lavage à entraînement direct (pièces uniquement).

Cette garantie limitée prend effet à la date originale d'achat. Elle ne s'applique qu'aux produits achetés et utilisés aux États-Unis. Pour bénéficier de réparations dans le cadre de la présente garantie, l'acheteur doit contacter la société SAMSUNG afin qu'elle détermine l'origine du problème et une procédure de réparation. Les services de garantie peuvent être pris en charge uniquement par un centre de service agréé SAMSUNG. Lors de la remise d'un produit défectueux à SAMSUNG ou à un centre de service agréé SAMSUNG, l'acheteur est tenu de présenter le coupon d'achat d'origine à la demande des intéressés à titre de preuve d'achat. SAMSUNG s'engage à assurer un service de réparation gratuit à domicile pendant la période de garantie. Ce service est soumis à disponibilité sur le territoire des États-Unis. Le service à domicile n'est pas disponible pour toutes les zones.

Pour bénéficier du service à domicile, l'appareil doit être situé dans un emplacement accessible à notre personnel. Si ce service n'est pas disponible, SAMSUNG peut choisir de prendre à sa charge le transport aller/retour du produit vers un centre de service agréé.

Garantie (États-Unis)

La société SAMSUNG prendra en charge, à sa convenance, la réparation, le remplacement ou le remboursement du produit tel que stipulé dans les présentes conditions et procédera au remplacement ou au reconditionnement des pièces ou des produits si ces derniers s'avèrent défectueux dans la limite de la période de garantie mentionnée précédemment. Toutes les pièces et tous les produits remplacés deviennent la propriété de SAMSUNG et doivent être retournés à SAMSUNG. Les pièces de rechange et les produits sont couverts pour la période restante de garantie ou quatre-vingt-dix (90) jours, si la période de garantie est inférieure à 90 jours. La garantie limitée couvre les vices de fabrication relatifs aux matériaux et à la qualité d'exécution survenus dans le cadre d'une utilisation normale et non commerciale du produit et ne s'applique pas aux causes suivantes, comprenant, mais ne se limitant pas à : tout dommage survenant au cours de l'expédition, de la livraison et de l'installation ; toute utilisation de l'appareil contraire au but auquel il était destiné ; tout numéro de produit ou de série effacé ; tout dommage du revêtement extérieur ou de l'aspect du produit ; tout dommage causé par un accident, une utilisation non conforme, une négligence, un incendie ou une inondation, la foudre ou une autre catastrophe naturelle ; toute utilisation de produits, d'équipements, de systèmes, d'appareils, de services, de pièces, de fournitures, d'accessoires, d'applications, d'installations, de réparations, de câblages externes ou de connecteurs non fournis ou autorisés par SAMSUNG et susceptibles d'endommager ledit appareil ou de nuire à son fonctionnement ; toute surtension, fluctuation ou tension de ligne électrique incorrecte ; tout réglage effectué par l'acheteur et tout non-respect des consignes d'utilisation, d'entretien et de respect de l'environnement couvertes ou prescrites dans le présent carnet d'entretien ; tout démontage ou toute réinstallation de l'appareil ; tout problème résultant d'une prolifération d'insectes nuisibles.

Cette garantie limitée ne couvre pas les problèmes résultant d'un courant, d'une tension ou d'une alimentation électrique incorrects, ainsi que d'ampoules électriques, de fusibles ou de câblage inappropriés. Elle ne couvre pas non plus le coût des appels au service d'assistance pour obtenir des instructions ou la réparation des erreurs d'installation. SAMSUNG ne garantit pas que l'appareil sera exempt de tout problème ou qu'il fonctionnera sans interruption.

SAUF EXCEPTION MENTIONNÉE DANS LE PRÉSENT DOCUMENT, SAMSUNG NE FOURNIT AUCUNE GARANTIE EXPRESSE OU IMPLICITE QUANT À CET APPAREIL, Y COMPRIS, MAIS SANS S'Y LIMITER, LES GARANTIES IMPLICITES DE QUALITÉ MARCHANDE, DE CONTREFAÇON OU D'APTITUDE À UN USAGE PARTICULIER.

AUCUNE GARANTIE, QU'ELLE SOIT DONNÉE PAR UN TIERS, UNE ENTREPRISE OU UNE PERSONNE MORALE, NE POURRA ÊTRE CONSIDÉRÉE COMME UN ENGAGEMENT VIS-À-VIS DE SAMSUNG. SAMSUNG NE SERA AUCUNEMENT RESPONSABLE EN CAS DE PERTE DE BÉNÉFICES, DE MANQUE À GAGNER, D'INCAPACITÉ À RÉALISER DES ÉCONOMIES OU TOUT AUTRE AVANTAGE FINANCIER OU D'AUTRES DOMMAGES SPÉCIAUX, ACCESSOIRES OU INDIRECTS RÉSULTANT DE L'UTILISATION OU D'UNE MAUVAISE UTILISATION DE CET APPAREIL OU D'UNE INCAPACITÉ À UTILISER CET APPAREIL, QUELLE QUE SOIT LA BASE JURIDIQUE INVOQUÉE POUR JUSTIFIER L'ASSERTION ET MÊME SI SAMSUNG A ÉTÉ AVISÉ DE L'ÉVENTUALITÉ DE TELS DOMMAGES.

LES INDEMNITÉS FINANCIÈRES EXIGÉES AUPRÈS DE SAMSUNG NE POURRONT EN AUCUN CAS EXCÉDER LE PRIX D'ACHAT DU PRODUIT VENDU PAR SAMSUNG ET À L'ORIGINE DES DOMMAGES INVOQUÉS.

SANS LIMITATION AUX DISPOSITIONS SUSDITES, L'ACHETEUR ASSUME TOUS LES RISQUES ET TOUTES LES RESPONSABILITÉS EN CAS DE PERTE, DE DOMMAGES OU DE BLESSURES ÉVENTUELLES INFLIGÉS À L'ACHETEUR ET AUX BIENS DE CELUI-CI ET À TOUTE AUTRE PERSONNE ET AUX BIENS DE CELLE-CI RÉSULTANT DE L'UTILISATION OU DE LA MAUVAISE UTILISATION DE L'APPAREIL OU DE L'INCAPACITÉ À L'UTILISER. CETTE GARANTIE LIMITÉE N'EST VALABLE POUR PERSONNE D'AUTRE QUE L'ACHETEUR INITIAL DU PRODUIT, N'EST PAS TRANSFÉRABLE ET ÉNONCE VOTRE RECOURS EXCLUSIF.

Certains états n'autorisent pas les limitations de durée de garantie implicite, ou l'exclusion ou la limitation des dommages accidentels ou indirects. Dans un tel cas, les limitations ou exclusions spécifiées ci-dessus ne s'appliquent pas. La présente garantie vous octroie des droits spécifiques, ainsi que d'autres variant d'un état à un autre.

Pour bénéficier d'un service d'assistance couvert par votre garantie, contactez SAMSUNG à l'adresse suivante :

Samsung Electronics America, Inc.
85 Challenger Road
Ridgefield Park, NJ 07660
1-800-SAMSUNG (726-7864)
www.samsung.com/us/support

Les visites des techniciens de maintenance destinées à expliquer les fonctions, la maintenance ou l'installation n'est pas couverte par la garantie. Veuillez contacter votre agent d'appel Samsung pour obtenir de l'aide sur l'une de ces questions.

Garantie (CANADA)

LAVE-LINGE SAMSUNG

GARANTIE LIMITÉE À L'ACHETEUR INITIAL

Ce produit de la marque SAMSUNG, fourni, distribué par SAMSUNG ELECTRONICS CANADA, INC. (SAMSUNG) et livré neuf, s'accompagne d'une garantie de SAMSUNG contre tout vice de fabrication au niveau des pièces et de la main d'œuvre pendant une période limitée de : Un (1) an pour les pièces et la main d'œuvre ; Dix (10) ans pour les pièces du moteur de lavage à entraînement direct (pièces uniquement).

Cette limite de garantie s'applique à compter de la date d'acquisition et couvre uniquement les produits achetés et utilisés au Canada. Pour bénéficier de réparations dans le cadre de la présente garantie, l'acheteur doit contacter la société SAMSUNG afin qu'elle détermine l'origine du problème et une procédure de réparation. Les services de garantie peuvent être pris en charge uniquement par un centre de service agréé SAMSUNG. Lors de la remise d'un produit défectueux à SAMSUNG ou à un centre de service agréé SAMSUNG, l'acheteur est tenu de présenter le coupon d'achat d'origine à la demande des intéressés à titre de preuve d'achat. SAMSUNG assurera un service de réparation gratuit à domicile pendant la période de garantie sujet à la disponibilité au Canada. Le service à domicile n'est pas disponible pour toutes les zones.

Pour bénéficier du service à domicile, l'appareil doit être situé dans un emplacement accessible à notre personnel. Si ce service n'est pas disponible, SAMSUNG peut choisir de prendre à sa charge le transport aller/retour du produit vers un centre de service agréé.

La société SAMSUNG prendra en charge, à sa convenance, la réparation, le remplacement ou le remboursement du produit tel que stipulé dans les présentes conditions et procédera au remplacement ou au reconditionnement des pièces ou des produits si ces derniers s'avèrent défectueux dans la limite de la période de garantie mentionnée précédemment. Toutes les pièces et tous les produits remplacés deviennent la propriété de SAMSUNG et doivent être retournés à SAMSUNG. Les pièces de rechange et les produits sont couverts pour la période restante de garantie ou quatre-vingt-dix (90) jours, si la période de garantie est inférieure à 90 jours. La garantie limitée couvre les vices de fabrication relatifs aux matériaux et à la qualité d'exécution survenus dans le cadre d'une utilisation normale et non commerciale du produit et ne s'applique pas aux causes suivantes, comprenant, mais ne se limitant pas à : tout dommage survenant au cours de l'expédition, de la livraison et de l'installation ; toute utilisation de l'appareil contraire au but auquel il était destiné ; tout numéro de produit ou de série effacé ; tout dommage du revêtement extérieur ou de l'aspect du produit ; tout dommage causé par un accident, une utilisation non conforme, une négligence, un incendie ou une inondation, la foudre ou une autre catastrophe naturelle ; toute utilisation de produits, d'équipements, de systèmes, d'appareils, de services, de pièces, de fournitures, d'accessoires, d'applications, d'installations, de réparations, de câblages externes ou de connecteurs non fournis ou autorisés par SAMSUNG et susceptibles d'endommager ledit appareil ou de nuire à son fonctionnement ; toute surtension, fluctuation ou tension de ligne électrique incorrecte ; tout réglage effectué par l'acheteur et tout non-respect des consignes d'utilisation, d'entretien et de respect de l'environnement couvertes ou prescrites dans le présent carnet d'entretien ; tout démontage ou toute réinstallation de l'appareil ; tout problème résultant d'une prolifération d'insectes nuisibles.

Cette garantie limitée ne couvre pas les problèmes résultant d'un courant, d'une tension ou d'une alimentation électrique incorrects, ainsi que d'ampoules électriques, de fusibles ou de câblage inappropriés. Elle ne couvre pas non plus le coût des appels au service d'assistance pour obtenir des instructions ou la réparation des erreurs d'installation. SAMSUNG ne garantit pas que l'appareil sera exempt de tout problème ou qu'il fonctionnera sans interruption.

SAUF EXCEPTION MENTIONNÉE DANS LE PRÉSENT DOCUMENT, SAMSUNG NE FOURNIT AUCUNE GARANTIE EXPRESSE OU IMPLICITE QUANT À CET APPAREIL, Y COMPRIS, MAIS SANS S'Y LIMITER, LES GARANTIES IMPLICITES DE QUALITÉ MARCHANDE, DE CONTREFAÇON OU D'APTITUDE À UN USAGE PARTICULIER.

Garantie (CANADA)

AUCUNE GARANTIE, QU'ELLE SOIT DONNÉE PAR UN TIERS, UNE ENTREPRISE OU UNE PERSONNE MORALE, NE POURRA ÊTRE CONSIDÉRÉE COMME UN ENGAGEMENT VIS-À-VIS DE SAMSUNG. SAMSUNG NE SERA AUCUNEMENT RESPONSABLE EN CAS DE PERTE DE BÉNÉFICES, DE MANQUE À GAGNER, D'INCAPACITÉ À RÉALISER DES ÉCONOMIES OU TOUT AUTRE AVANTAGE FINANCIER OU D'AUTRES DOMMAGES SPÉCIAUX, ACCESSOIRES OU INDIRECTS RÉSULTANT DE L'UTILISATION OU D'UNE MAUVAISE UTILISATION DE CET APPAREIL OU D'UNE INCAPACITÉ À UTILISER CET APPAREIL, QUELLE QUE SOIT LA BASE JURIDIQUE INVOQUÉE POUR JUSTIFIER L'ASSERTION ET MÊME SI SAMSUNG A ÉTÉ AVISÉ DE L'ÉVENTUALITÉ DE TELS DOMMAGES.

LES INDEMNITÉS FINANCIÈRES EXIGÉES AUPRÈS DE SAMSUNG NE POURRONT EN AUCUN CAS EXCÉDER LE PRIX D'ACHAT DU PRODUIT VENDU PAR SAMSUNG ET À L'ORIGINE DES DOMMAGES INVOQUÉS. SANS LIMITATION AUX DISPOSITIONS SUSDITES, L'ACHETEUR ASSUME TOUS LES RISQUES ET TOUTES LES RESPONSABILITÉS EN CAS DE PERTE, DE DOMMAGES OU DE BLESSURES ÉVENTUELLES INFLIGÉS À L'ACHETEUR ET AUX BIENS DE CELUI-CI ET À TOUTE AUTRE PERSONNE ET AUX BIENS DE CELLE-CI RÉSULTANT DE L'UTILISATION OU DE LA MAUVAISE UTILISATION DE L'APPAREIL OU DE L'INCAPACITÉ À L'UTILISER. CETTE GARANTIE LIMITÉE N'EST VALABLE POUR PERSONNE D'AUTRE QUE L'ACHETEUR INITIAL DU PRODUIT, N'EST PAS TRANSFÉRABLE ET ÉNONCE VOTRE RECOURS EXCLUSIF.

Certaines provinces n'autorisent pas de limitations quant à la durée des garanties implicites ni l'exclusion ou la limitation de dommages accessoires ou indirects ; il se peut par conséquent que les limitations et exclusions énoncées ci-dessus ne s'appliquent pas à votre cas. La présente garantie vous octroie des droits spécifiques, ainsi que d'autres variant d'une province à une autre.

Pour bénéficier d'un service d'assistance couvert par votre garantie, contactez SAMSUNG à l'adresse suivante :

Samsung Electronics Canada Inc.
2050 Derry Road West
Mississauga, Ontario L5N 0B9 Canada
1-800-SAMSUNG (726-7864)
www.samsung.com/ca/support (English)
www.samsung.com/ca_fr/support (French)

Les visites des techniciens de maintenance destinées à expliquer les fonctions, la maintenance ou l'installation n'est pas couverte par la garantie.
Veuillez contacter votre agent d'appel Samsung pour obtenir de l'aide sur l'une de ces questions.

Notes

DES QUESTIONS OU DES COMMENTAIRES ?

PAYS	APPELEZ LE	OU RENDEZ-VOUS SUR LE SITE
U.S.A	1-800-SAMSUNG (726-7864) 1-844-SAM-PAYS (726-7297)	www.samsung.com/us/support
CANADA	1-800-SAMSUNG(726-7864)	www.samsung.com/ca/support (English) www.samsung.com/ca_fr/support (French)
MEXICO	01-800-SAMSUNG(726-7864)	www.samsung.com/mx/support



DC68-03774D-00



Lavadora

Manual del usuario

WA52M7750A* / WA52M7755A*

SAMSUNG

Contenido

Información sobre seguridad	4
Lo que necesita saber sobre las instrucciones de seguridad	4
Símbolos de seguridad importantes	4
Precauciones de seguridad importantes	5
Instalación	14
Desempaque de la lavadora	14
Descripción general de la lavadora	15
Requisitos básicos acerca de la ubicación	17
Nota importante para el instalador	21
Instalación paso a paso	21
Instrucciones de funcionamiento	30
Cómo cargar la lavadora	30
Cómo comenzar	31
Lavado de una carga de ropa	32
Panel de control	32
Descripción del ciclo	34
Opciones	37
Lavado de prendas con el selector de ciclos	42
ATC (control automático de la temperatura)	43
Lo básico	44
Uso del detergente	46
Funciones	47
Mantenimiento de la lavadora	52
Limpieza del exterior	52
Limpieza del interior	52
Cómo guardar la lavadora	52
Mantenimiento de la cubierta superior y del marco frontal	53
Limpie el filtro de malla	53
Limpieza de los dosificadores	53
Autolimpieza	55

Solución de problemas	57
Verificaciones	57
Códigos de información	61
Especificaciones	65
Tabla de indicaciones sobre telas	65
Ayuda al medioambiente	67
Declaración de conformidad	67
Hoja de especificaciones	68
Tabla de ciclos	69

Información sobre seguridad

Felicitaciones por la compra de la nueva lavadora Samsung. Este manual contiene información importante acerca de la instalación, el uso y el cuidado del electrodoméstico. Lea detenidamente estas instrucciones a fin de aprovechar al máximo los múltiples beneficios y funciones de la lavadora.

Lo que necesita saber sobre las instrucciones de seguridad

Lea este manual detenidamente para aprender a utilizar con seguridad y eficacia todas las características y funciones de su nuevo electrodoméstico. Conserve el manual en un lugar seguro cerca del electrodoméstico para consultas futuras. Utilice este electrodoméstico solo para el propósito para el que fue destinado como se describe en este manual.

Las advertencias y las instrucciones de seguridad importantes de este manual no cubren todas las posibles condiciones y situaciones que pueden ocurrir. Es su responsabilidad actuar con sentido común, precaución y cuidado cuando instale, realice el mantenimiento y ponga en funcionamiento la lavadora.

Puesto que las siguientes instrucciones de funcionamiento sirven para varios modelos, las características de su lavadora pueden diferir ligeramente de las que se describen en este manual y es posible que no todos los signos de advertencia sean aplicables. Si tiene alguna consulta o duda, comuníquese con el centro de servicio más cercano o busque ayuda e información en línea en www.samsung.com.

Símbolos de seguridad importantes

Los íconos y las señales incluidas en este manual del usuario significan lo siguiente:

ADVERTENCIA

Peligros o prácticas inseguras que podrían causar lesiones físicas graves, la muerte o daños materiales.

PRECAUCIÓN

Peligros o prácticas inseguras que podrían causar lesiones físicas o daños materiales.

NOTA

Indica que existe el riesgo de lesiones físicas o daños materiales.

CONSERVE ESTAS INSTRUCCIONES

Estas señales de advertencia están aquí para evitar que usted u otras personas sufran lesiones. Siga las instrucciones completamente.

Después de leer este manual, guárdelo en un lugar seguro para consultas futuras.

Lea todas las instrucciones antes de usar el electrodoméstico.

Al igual que con cualquier equipo que usa electricidad y contiene piezas móviles, existen riesgos potenciales. Para usar este electrodoméstico en forma segura, familiarícese con su funcionamiento y manéjelo con cuidado cuando lo use.

ADVERTENCIA

Advertencia sobre la State of California Proposition 65 (solo EE.UU.)

Este producto contiene productos químicos reconocidos en el estado de California como capaces de provocar cáncer y defectos de nacimiento u otras afecciones reproductivas.

Precauciones de seguridad importantes

ADVERTENCIA

Para reducir el riesgo de incendio, descarga eléctrica o lesiones físicas cuando usa este electrodoméstico, siga las instrucciones de seguridad básicas que figuran a continuación:

1. Lea todas las instrucciones antes de usar este electrodoméstico.
2. No lave ni seque prendas que se han limpiado, lavado, remojado o salpicado previamente con gasolina, solventes de limpieza en seco u otras sustancias inflamables o explosivas, ya que emiten vapores que pueden prenderse fuego o explotar.
3. No permita que los niños jueguen sobre el electrodoméstico o dentro de él. Se requiere de supervisión cuando el electrodoméstico es utilizado cerca de los niños.
4. Antes de descartar el electrodoméstico o de trasladarlo para que se le efectúe un servicio técnico, retire la tapa del compartimiento de la lavadora o la secadora.
5. No introduzca la mano en el electrodoméstico si el tambor está en movimiento.
6. No instale ni guarde este electrodoméstico donde quede expuesto a los factores climáticos.
7. No modifique los controles.
8. No repare, reemplace ni intente realizar el mantenimiento de cualquier pieza del electrodoméstico salvo que esté recomendado específicamente en las instrucciones de mantenimiento del usuario o en las instrucciones de reparación para el usuario publicadas y que, a su juicio, usted tenga la habilidad para llevarlas a cabo.
9. No agregue gasolina, solventes de limpieza en seco u otras sustancias inflamables o explosivas al agua del lavado. Estas sustancias emiten vapores que pueden prenderse fuego o explotar.

CONSERVE ESTAS INSTRUCCIONES

Información sobre seguridad

- 10.** En ciertas circunstancias, puede producirse gas hidrógeno en un sistema de agua caliente que no se ha usado durante 2 semanas o más. **EL GAS HIDRÓGENO ES EXPLOSIVO.** Si el sistema de agua caliente no fue utilizado durante 2 semanas o más, antes de usar la lavadora, o la lavadora y la secadora combinadas, abra todas las llaves del agua caliente y deje correr el agua por varios minutos. De esta manera, se eliminará el gas hidrógeno acumulado. Dado que el gas es inflamable, no fume ni use una llama abierta en ese momento.

Advertencias fundamentales para la instalación

ADVERTENCIA

Enchufe el cable de alimentación en un tomacorriente de pared de 120 V CA / 60 Hz categorizado en 15 A o más. Utilice el tomacorriente solo con este electrodoméstico. No use un cable prolongador.

- Compartir el tomacorriente de pared con otros electrodomésticos, utilizando un multicontacto o prolongando el cable de alimentación, puede provocar un incendio o una descarga eléctrica.
- No utilice un transformador eléctrico. Puede provocar un incendio o una descarga eléctrica.
- Asegúrese de que el voltaje, la frecuencia y la corriente coincidan con las especificaciones del producto. De lo contrario, se puede provocar un incendio o una descarga eléctrica.

Este electrodoméstico debe ser instalado por un técnico calificado o una empresa de servicios.

- De lo contrario, se puede provocar una descarga eléctrica, un incendio, una explosión, problemas con el producto o lesiones.

Retire regularmente todas las sustancias extrañas, como polvo o agua, de los terminales y los puntos de contacto de la alimentación con un paño seco.

- Desenchufe el cable de alimentación y límpielo con un paño seco.
- De lo contrario, se puede provocar un incendio o una descarga eléctrica.

CONSERVE ESTAS INSTRUCCIONES

Enchufe el cable de alimentación en un tomacorriente de pared en la dirección adecuada de manera que el cable baje hacia el suelo.

- Si enchufa el cable de alimentación en el tomacorriente en la dirección opuesta, los cables eléctricos del interior del cable pueden dañarse y provocar un incendio o una descarga eléctrica.

Este electrodoméstico debe conectarse a tierra correctamente.

La toma de tierra no se debe conectar a una conducción de gas o de agua ni a la línea telefónica.

- La conexión a tierra inadecuada puede provocar una descarga eléctrica, un incendio, una explosión o problemas con el producto.
- Nunca enchufe el cable de alimentación en un tomacorriente que no esté conectado a tierra correctamente. Asegúrese de que el tomacorriente esté conectado a tierra conforme a los códigos locales y nacionales.

No instale este electrodoméstico cerca de un calefactor o materiales inflamables.

No instale este electrodoméstico en un lugar húmedo, grasiento o cubierto de polvo, ni lo exponga a la luz directa del sol o al agua (gotas de lluvia).

No instale este electrodoméstico en un lugar donde puedan haber fugas de gas.

- Puede provocar un incendio o una descarga eléctrica.

Enchufe el cable de alimentación firmemente en el tomacorriente de pared. No utilice un cable de alimentación dañado ni un tomacorriente que esté flojo.

- Puede provocar un incendio o una descarga eléctrica.

No jale el cable de alimentación ni lo doble excesivamente.

No tuerza ni ate el cable de alimentación.

No cuelgue el cable de alimentación de un objeto metálico, no coloque objetos pesados sobre él, no inserte el cable de alimentación entre objetos ni lo empuje en un espacio detrás del electrodoméstico.

- Puede provocar un incendio o una descarga eléctrica.

No jale el cable de alimentación para desenchufarlo.

- Desenchufe el cable de alimentación sujetándolo por el enchufe.
- De lo contrario, se puede provocar un incendio o una descarga eléctrica.

Si el enchufe o el cable de alimentación están dañados, comuníquese con el centro de servicio más cercano.

CONSERVE ESTAS INSTRUCCIONES

Información sobre seguridad

Precauciones para la instalación

PRECAUCIÓN

Coloque el electrodoméstico de manera tal que se pueda acceder fácilmente al tomacorriente.

- De lo contrario, se puede provocar un incendio o una descarga debido a las fugas eléctricas.

Instale el electrodoméstico sobre una superficie nivelada que pueda soportar su peso.

- De lo contrario, pueden producirse vibraciones anormales, ruidos o problemas con el producto.

Desenchufe el electrodoméstico si no lo va a utilizar durante un período prolongado o durante una tormenta eléctrica.

- De lo contrario, se puede provocar un incendio o una descarga eléctrica.

Advertencias fundamentales para el uso

ADVERTENCIA

Si el electrodoméstico se inunda, desconéctelo inmediatamente y comuníquese con el centro de servicio más cercano.

Si el electrodoméstico genera ruidos extraños, olor a quemado o humo, desconéctelo inmediatamente y llame al centro de servicio más cercano.

- De lo contrario, se puede provocar un incendio o una descarga eléctrica.

En caso de fugas de gas (tales como propano, LP, etc.), ventile el área inmediatamente. No encienda ni apague ningún electrodoméstico ni ninguna luz.

- No utilice un ventilador.
- Una chispa puede provocar un incendio o una explosión.

No lave prendas contaminadas con gasolina, queroseno, benceno, disolventes de pinturas, alcohol u otras sustancias inflamables o explosivas.

- Puede provocar una descarga eléctrica, un incendio o una explosión.

CONSERVE ESTAS INSTRUCCIONES

No abra la tapa de la lavadora por la fuerza mientras esté en funcionamiento (lavado a alta temperatura/secado/centrifugado).

- El agua que sale de la lavadora puede provocar quemaduras o hacer que el suelo sea resbaladizo.
Puede provocar lesiones físicas.
- Abrir la tapa por la fuerza puede dañar el producto o provocar lesiones físicas.

Asegúrese de quitar el empaque (goma espuma, poliestireno) del fondo de la lavadora antes de utilizarla.

No introduzca las manos bajo la lavadora.

- Puede provocar lesiones físicas.

No toque el enchufe con las manos mojadas.

- Puede provocar una descarga eléctrica.

No apague el electrodoméstico desenchufándolo mientras la lavadora está en funcionamiento.

- Si vuelve a enchufar el electrodoméstico en el tomacorriente puede originar una chispa y causar una descarga eléctrica o un incendio.

Mantenga los materiales de empaque fuera del alcance de los niños, ya que son peligrosos para ellos.

- Si un niño mete la cabeza en una bolsa se puede asfixiar.

No permita que los niños o las personas inestables utilicen la lavadora sin supervisión.

- De lo contrario, se puede provocar una descarga eléctrica, quemaduras o lesiones.

No introduzca la mano ni objetos de metal bajo la lavadora mientras esté en funcionamiento.

- Puede provocar lesiones físicas.

No trate de reparar, desensamblar ni modificar el electrodoméstico usted mismo.

- No utilice un fusible (de cobre, cable de acero, etc.) que no esté normalizado.
- Si necesita reparar o volver a instalar el electrodoméstico, comuníquese con el centro de servicio más cercano.
- De lo contrario, se puede provocar una descarga eléctrica, un incendio, problemas con el producto o lesiones.

Si alguna sustancia extraña, tal como el agua, se introduce en el electrodoméstico en algún compartimiento distinto del tambor, desenchufe el cable de alimentación y comuníquese con el centro de servicio más cercano.

- De lo contrario, se puede provocar un incendio o una descarga eléctrica.

CONSERVE ESTAS INSTRUCCIONES

Información sobre seguridad

Si se afloja la manguera de suministro de agua de la llave del agua y se inunda el electrodoméstico, desenchufe el cable de alimentación.

- De lo contrario, se puede provocar un incendio o una descarga eléctrica.

Precauciones de uso

PRECAUCIÓN

Si la lavadora está contaminada por sustancias extrañas, tales como detergente, tierra, restos de alimentos, etc., desenchufe el cable de alimentación y limpie la lavadora con un paño suave humedecido.

- De lo contrario, puede producirse decoloración, deformación, daños u óxido.

La parte transparente de la tapa puede quebrarse con un impacto fuerte. Sea cuidadoso cuando utilice la lavadora.

- Si la parte transparente está agrietada o quebrada, puede causar lesiones.

Ante una falla del suministro de agua o cuando se vuelve a conectar la manguera de suministro, abra lentamente la llave del agua.

Abra lentamente la llave del agua tras un periodo prolongado de falta de uso.

- La presión del aire de la manguera de suministro o de la conducción de agua puede dañar alguna pieza o provocar fugas de agua.

Si durante el funcionamiento hay una falla en el drenaje, verifique el drenaje.

- Si se utiliza la lavadora inundada por una falla en el drenaje, se puede provocar una descarga eléctrica o un incendio.

No introduzca las manos bajo la lavadora.

- Puede provocar lesiones físicas.

Introduzca completamente la ropa en la lavadora de modo que no pueda quedar atrapada por la tapa.

- Si la ropa queda atrapada por la tapa, puede dañarse la ropa o la lavadora, o pueden haber fugas de agua.

Asegúrese de que la llave del agua esté cerrada cuando la lavadora no se utiliza.

- Asegúrese de que los conectores de la manguera de suministro de agua estén correctamente ajustados.

CONSERVE ESTAS INSTRUCCIONES

- De lo contrario, se pueden provocar daños materiales o lesiones.

Antes de utilizar el producto, abra la llave del agua y verifique que el conector de la manguera de suministro esté bien ajustado y que no haya fugas de agua.

- Si los conectores de la manguera de suministro de agua están flojos, pueden haber fugas de agua.

No se pare encima del electrodoméstico ni le coloque encima objetos (como ropa, velas o cigarrillos encendidos, platos, productos químicos, objetos metálicos, etc.).

- Puede provocar una descarga eléctrica, un incendio, problemas con el producto o lesiones.

No haga funcionar el electrodoméstico con las manos mojadas.

- Puede provocar una descarga eléctrica.

No rocíe materiales volátiles, como insecticidas, en la superficie del electrodoméstico.

- Además de ser perjudiciales para las personas, también pueden provocar una descarga eléctrica, un incendio o problemas con el producto.

No coloque objetos que generen campos electromagnéticos cerca de la lavadora.

- Puede causar lesiones por un malfuncionamiento.

No toque el agua que se drena durante el lavado a alta temperatura o durante el ciclo de secado ya que está caliente.

- Puede causar lesiones personales o quemaduras.

Para telas impermeables, utilice solo el ciclo WATERPROOF (PRENDAS IMPERMEABLES).

- No utilice otros ciclos para las telas impermeables.
Se pueden producir lesiones o dañar la lavadora, las paredes, el suelo o la ropa debido a las vibraciones anormales.
- Configure la temperatura y el centrifugado de acuerdo con las indicaciones en la etiqueta de cuidado.

No haga funcionar la lavadora sin el dosificador de detergente.

- Se puede provocar una descarga eléctrica o lesiones debido a fugas de agua.

No introduzca las manos en el dosificador de detergente después de abrirlo.

- La mano podría quedar apretada y sufrir lesiones.

CONSERVE ESTAS INSTRUCCIONES

Información sobre seguridad

No introduzca ningún objeto que no sea ropa (por ejemplo, zapatos, restos de comida o animales) en la lavadora.

- Esto puede causar vibraciones anormales que pueden dañar la lavadora y, en el caso de las mascotas, puede provocar lesiones graves, o incluso la muerte.

No presione los botones con objetos afilados, como alfileres, cuchillos, las uñas, etc.

- Puede provocar una descarga eléctrica o lesiones personales.

No lave ropa contaminada por aceites, cremas o lociones que se utilizan normalmente en los establecimientos para el cuidado de la piel o en las clínicas de masajes.

- Se puede deformar la junta de goma y provocar fugas de agua.

No deje objetos de metal (tales como clips, horquillas, etc.) ni blanqueador en el tambor durante períodos prolongados.

- Se puede oxidar el tambor.
- Si aparece óxido en la superficie del tambor, aplique un agente limpiador neutro sobre la superficie y utilice una esponja para limpiarla. Nunca utilice un cepillo de metal.

No utilice detergentes de limpieza en seco directamente en el tambor ni lave, enjuague o centrifugue ropa contaminada por detergentes de limpieza en seco.

- Se puede producir una combustión espontánea o un incendio por el calor de la oxidación del aceite.

No utilice agua caliente de dispositivos de calentamiento o enfriamiento del agua.

- Podría causar problemas en la lavadora.

No utilice jabón natural para lavado a mano en la lavadora.

- Si se endurece y se acumula en el interior de la lavadora, puede causar problemas en el producto, tales como decoloración, óxido y malos olores.

No lave prendas grandes como ropa de cama dentro de una red.

- De lo contrario, se pueden producir lesiones personales por las vibraciones anormales.
- Coloque los artículos más pequeños, como las medias y la lencería, dentro de una red.

No utilice detergente endurecido.

- Si se acumula en el interior de la lavadora, puede provocar fugas de agua.

No lave alfombras ni felpudos.

- Si lava alfombras o felpudos, se acumulará arena en el interior de la lavadora. Puede provocar fallas como la falta de drenaje.

CONSERVE ESTAS INSTRUCCIONES

Advertencias fundamentales para la limpieza

ADVERTENCIA

No limpie el electrodoméstico rociando directamente agua dentro de él.

No utilice un agente limpiador muy ácido.

No utilice benceno, disolventes de pinturas ni alcohol para limpiar el electrodoméstico.

- Puede provocar decoloración, deformación, daños, incendio o descarga eléctrica.

Antes de la limpieza o las tareas de mantenimiento, desenchufe el electrodoméstico del tomacorriente de la pared.

- De lo contrario, se puede provocar un incendio o una descarga eléctrica.

CONSERVE ESTAS INSTRUCCIONES

Instalación

Siga detenidamente estas instrucciones para asegurar una adecuada instalación de la lavadora y evitar accidentes al usarla.

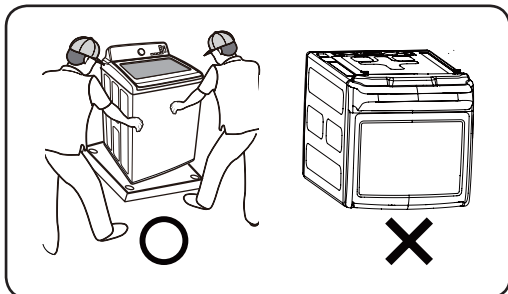
Desempaque de la lavadora

Desempaque la lavadora e inspecciónela para controlar que no se hayan producido daños durante el transporte. Asegúrese de haber recibido todos los elementos que se muestran a continuación. Si la lavadora sufrió daños durante el transporte, o si falta algún elemento, comuníquese con el 1-800-SAMSUNG (1-800-726-7864).

Para evitar lesiones físicas o distensiones musculares, use guantes protectores cada vez que levante o transporte la unidad.

ADVERTENCIA

Los materiales de empaque pueden ser peligrosos para los niños. Mantenga todo el material de empaque (bolsas de plástico, poliestireno, etc.) fuera del alcance de los niños.



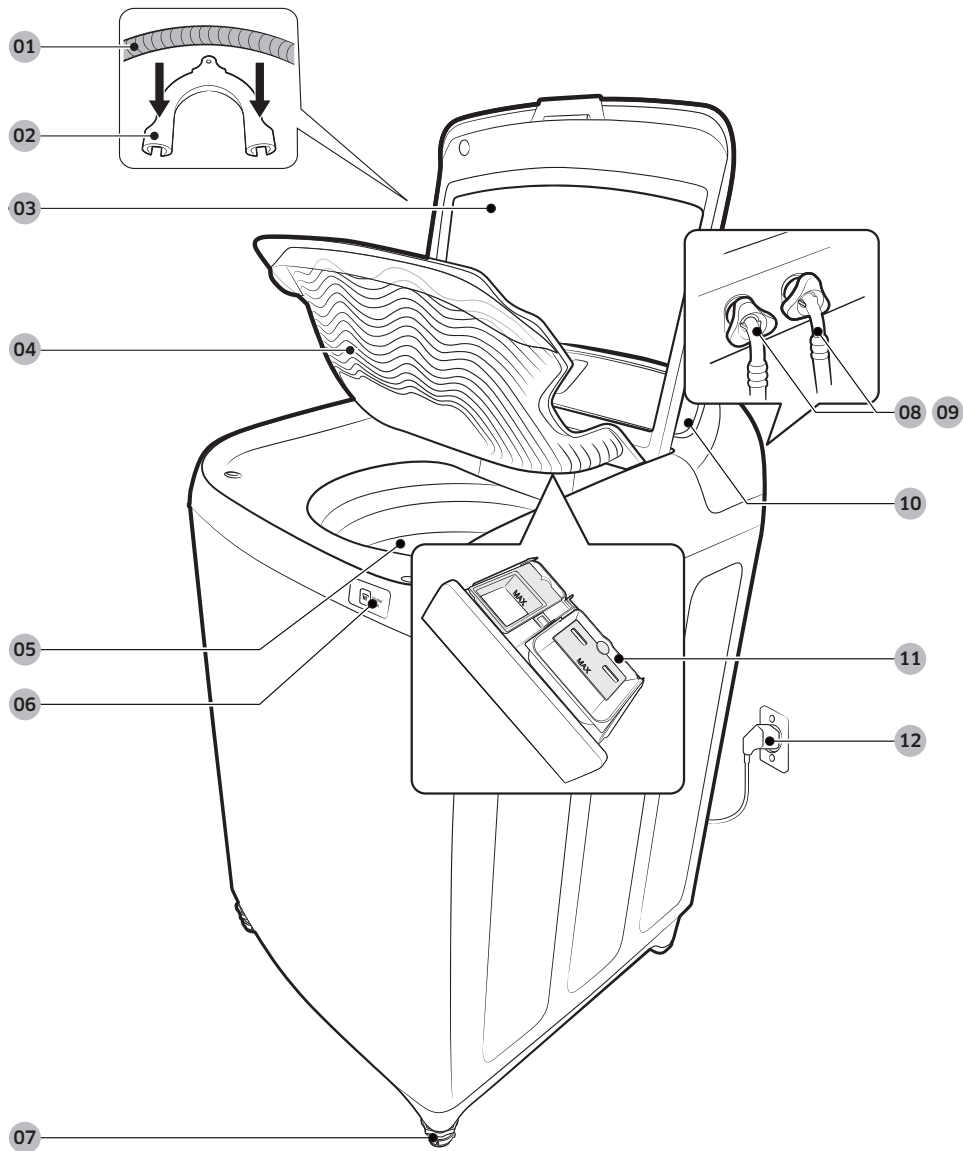
PRECAUCIÓN

Al desempacar la lavadora, se necesita la colaboración de 2 personas. Al retirar la protección de la parte inferior de los materiales de empaque, está estrictamente prohibido el desecho directo.

Cuando reclina la lavadora para quitar la base de cartón, debe proteger el lado de la lavadora y colocarla con cuidado. Nunca reclina la lavadora sobre su parte trasera o delantera.

Descripción general de la lavadora

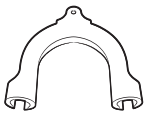
Asegúrese de que todos los componentes estén incluidos en el paquete. Si tiene algún problema con la lavadora o las piezas, comuníquese con un centro de atención al cliente de Samsung o con el vendedor.



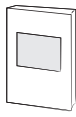
Instalación

- | | | |
|-------------------------------|-----------------------------------|---------------------------------------|
| 01 Manguera de drenaje | 02 Guía de la manguera | 03 Tapa |
| 04 Pileta incorporada | 05 Tambor | 06 Chorro de agua |
| 07 Patas niveladoras | 08 Manguera de agua (Fría) | 09 Manguera de agua (Caliente) |
| 10 Panel de control | 11 Cajón para detergente | 12 Cable de alimentación |

Partes suministradas



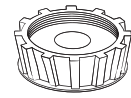
Guía de la manguera



Manual del usuario

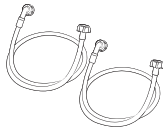


Abrazadera plástica de sujeción de la manguera



Tapón de la entrada de agua

Partes no suministradas



Mangueras de suministro de agua

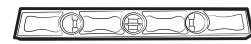
Herramientas necesarias para la instalación



Llave inglesa



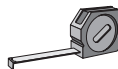
Destornillador plano



Niveladora



Alicate ajustable



Cinta de medición

NOTA

- Si pierde algún accesorio y desea adquirir un repuesto, comuníquese con el Centro de servicio técnico de Samsung (1-800-SAMSUNG (1-800-726-7864)).
- El diseño de las piezas y los accesorios que se muestran en las imágenes a continuación puede diferir. Los diseños están sujetos a cambios sin previo aviso para mejorar el producto.
- No vuelva a utilizar las mangueras viejas. Use solamente mangueras de suministro de agua nuevas cuando instale la lavadora. Las mangueras viejas pueden tener fugas o se pueden reventar y provocar inundaciones o daños materiales.
- Confirme que haya arandelas de goma en el interior de cada unión de las mangueras de suministro de agua.

Requisitos básicos acerca de la ubicación

Instalación eléctrica

- Fusible o disyuntor de 120 voltios, 60 Hz, 15 A.
- Se recomienda contar con un circuito derivado individual destinado únicamente a la lavadora.
- La lavadora está equipada con un cable de alimentación.

PRECAUCIÓN

Nunca utilice un cable prolongador.

Conexión a tierra

Se requiere la conexión eléctrica a tierra de este electrodoméstico.

Este electrodoméstico debe conectarse a tierra. En caso de que el electrodoméstico funcione mal o se descomponga, la conexión a tierra reducirá el riesgo de descarga eléctrica al ofrecer una vía de menos resistencia a la corriente eléctrica. Este electrodoméstico está equipado con un cable de alimentación que cuenta con un enchufe de tres pines con conexión a tierra para utilizar en un tomacorriente con conexión a tierra.

El enchufe debe conectarse a un tomacorriente adecuado que esté correctamente instalado y conectado a tierra de conformidad con todos los códigos y ordenanzas locales.

ADVERTENCIA

La conexión inadecuada del conductor de conexión a tierra del equipo puede aumentar el riesgo de descarga eléctrica. Consulte a un electricista o técnico calificado si le surgen dudas acerca de si la conexión a tierra del electrodoméstico es adecuada. No modifique el enchufe provisto con el electrodoméstico; si no cabe en el tomacorriente, solicite a un electricista calificado que instale el tomacorriente apropiado.

Precauciones de seguridad importantes

Para evitar el riesgo innecesario de incendio, descarga eléctrica o lesiones físicas, todo el cableado y la conexión a tierra deben realizarse de conformidad con el Código Eléctrico Nacional, ANSI/FNPA, Nro. 70, la revisión más reciente, y los códigos y ordenanzas locales. Es exclusiva responsabilidad del propietario del electrodoméstico proveer los servicios eléctricos adecuados para este electrodoméstico.

PRECAUCIÓN

Nunca conecte el cable a tierra a tuberías de plástico, las tuberías de gas o a las cañerías de agua caliente.

Agua

Para llenar correctamente la lavadora en el tiempo adecuado, se requiere una presión de agua de 20 a 116 psi (de 137 a 800 kPa).

Instalación

Una presión de agua inferior a 20 psi puede ocasionar fallas en la válvula de agua, impedir que la válvula de agua se cierre completamente o prolongar el tiempo de llenado más allá de lo permitido por los controles de la lavadora y que, como resultado, la lavadora se apague. En los controles, se establece un límite de tiempo para evitar que se inunde la casa si una manguera se afloja.

Las llaves del agua deben estar colocadas dentro de los 4 pies (122 cm) de distancia de la parte posterior de la lavadora para que coincidan con las mangueras de entrada provistas.

NOTA

Las mangueras de entrada accesorias están disponibles en varias longitudes hasta 10 pies (275 cm) para llaves que se encuentren más alejadas de la parte posterior de la lavadora.

Para evitar la posibilidad de que se produzcan daños a causa del agua:

- Las llaves del agua deben ser de fácil acceso.
- Cierre las llaves cuando no use la lavadora.
- Verifique periódicamente que no haya pérdidas de agua que provengan de los accesorios de la manguera de entrada de agua.

ADVERTENCIA

Verifique que no haya fugas en ninguna de las conexiones de la válvula y de la llave del agua.

Drenaje

La altura recomendada de la toma de agua es de 39 pulg. (99 cm). La manguera de drenaje debe ajustarse por medio del gancho de la manguera a la toma de agua. La toma de agua debe tener la suficiente longitud como para aceptar el diámetro exterior de la manguera de drenaje. La manguera de drenaje viene conectada a la lavadora de fábrica.

Piso

Para un mejor desempeño, debe instalar la lavadora sobre un piso de construcción sólida. Posiblemente los pisos de madera necesiten reforzarse para minimizar la vibración y/o los desequilibrios de la carga. Las superficies alfombradas o con revestimiento sintético son factores que contribuyen a la vibración y pueden provocar que la lavadora se mueva levemente durante el ciclo de centrifugado. Nunca instale la lavadora sobre una plataforma o sobre una estructura con soportes poco resistentes.

Consideraciones acerca de la ubicación

No instale la lavadora en áreas donde el agua se congele, dado que la lavadora siempre retendrá algo de agua en el área de la válvula de agua, la bomba y la manguera. El agua congelada puede dañar las correas, la bomba, las mangueras y otros componentes.

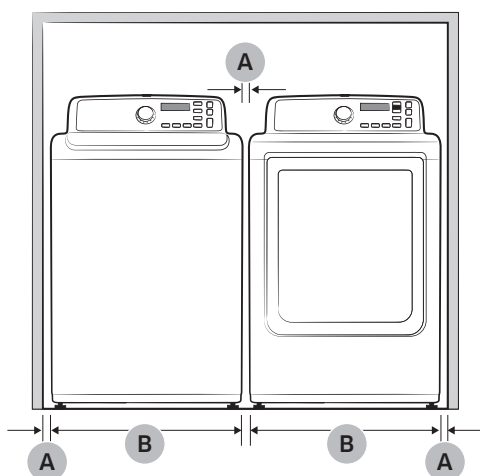
Instalación del electrodoméstico en un gabinete o en un hueco

Deje un espacio libre mínimo cuando instale el electrodoméstico en un gabinete o en un hueco:

Laterales	1 pulg. / 25 mm	Frente del gabinete	2 pulg. / 51 mm
Posterior	6 pulg. / 152 mm	Arriba	21 pulg. / 533 mm

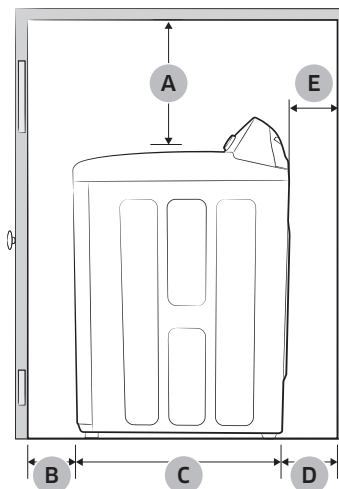
Si la lavadora y la secadora se instalan una junto a la otra, el frente del gabinete debe contar con una abertura de aire sin obstrucciones de al menos 72 pulg² (465 cm²). La lavadora sola no requiere una abertura de aire específica.

Área empotrada



A	1 pulg. (2.5 cm)
B	27.0 pulg. (68.6 cm)

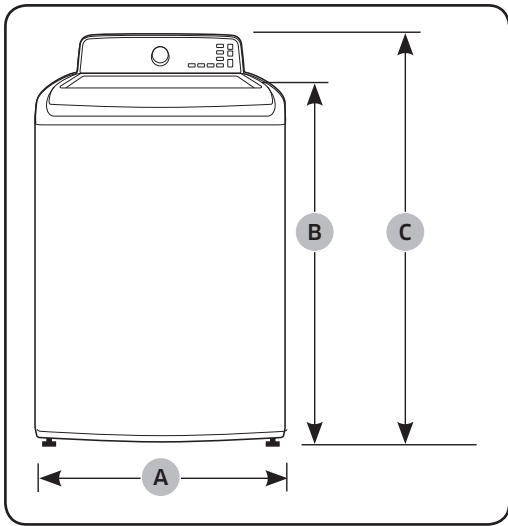
Vista lateral - gabinete o área reducida



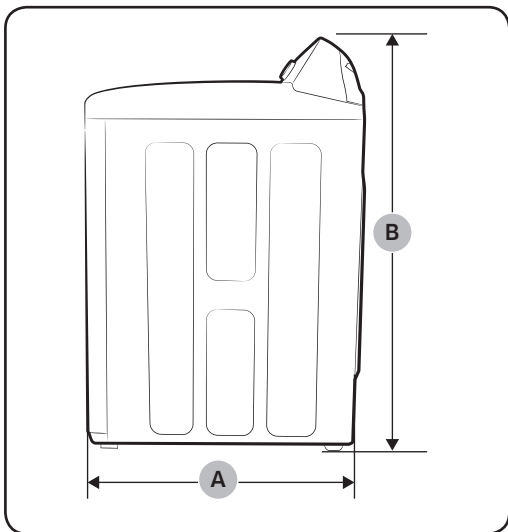
A	21 pulg. (53.3 cm)
B	2 pulg. (5.1 cm)
C	29 7/16 pulg. (74.4 cm)
D	6 pulg. (15.2 cm)
E	<p>Espacio entre la válvula del agua y la pared</p> <ul style="list-style-type: none"> Caso 1. Ensamble de la manguera de suministro después de la instalación: Más de 4 pulgadas (10 cm). Caso 2. Ensamble de la manguera de suministro antes de la instalación: Más de 3 pulgadas (8 cm).

Instalación

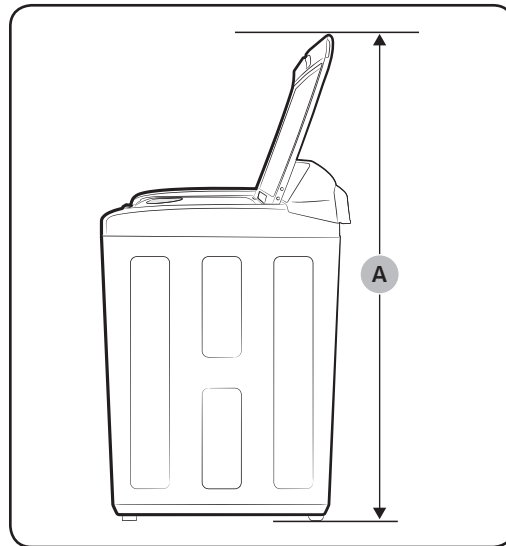
Dimensiones requeridas de la instalación



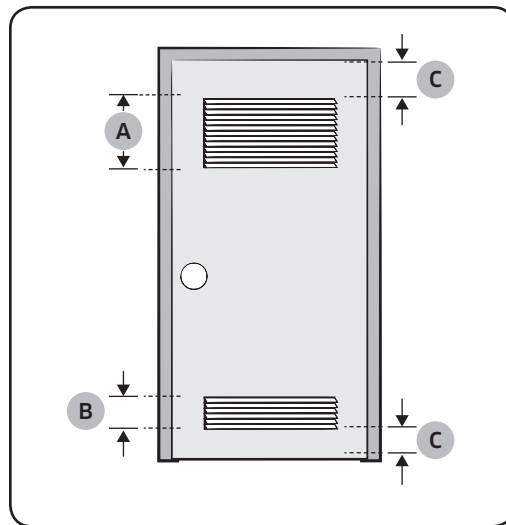
A	27.0 pulg. (68.6 cm)
B	39.2 pulg. (99.5 cm)
C	46.0 pulg. (116.8 cm)



A	29.3 pulg. (74.4 cm)
B	46.0 pulg. (116.8 cm)



A	59.8 pulg. (152.0 cm)
---	-----------------------



A*	48.0 pulg. ² (310.0 cm ²)
B*	24.0 pulg. ² (155.0 cm ²)
C	3.0 pulg. (7.6 cm)

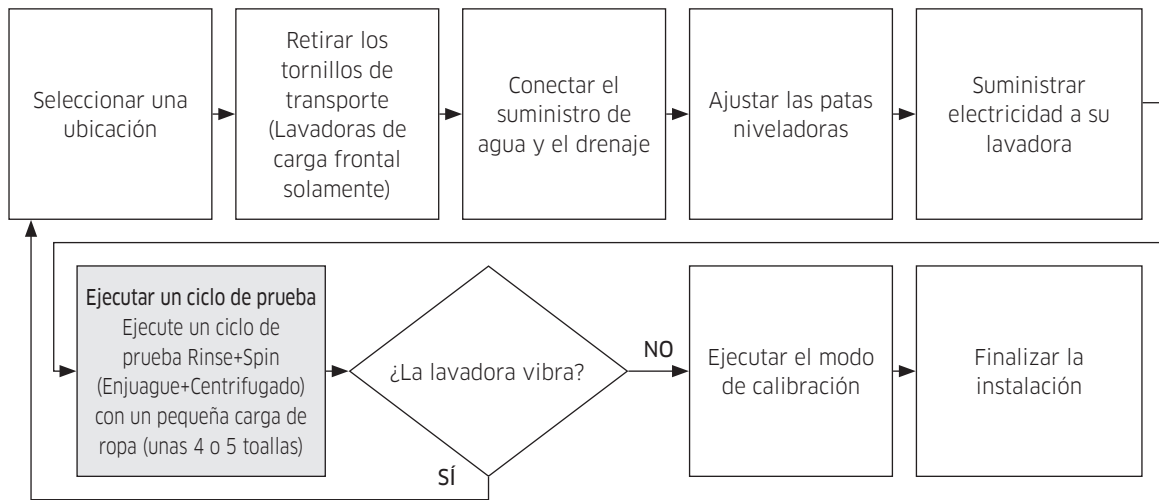
NOTA

* Espacio necesario

Nota importante para el instalador

Lea las siguientes instrucciones con detenimiento antes de instalar la lavadora. Estas instrucciones se deben conservar para consultas futuras. Le recomendamos que contrate a un profesional para que instale esta lavadora.

Diagrama de instalación



Verifique nuevamente los pasos anteriores.

Instalación paso a paso

PASO 1 Seleccionar una ubicación

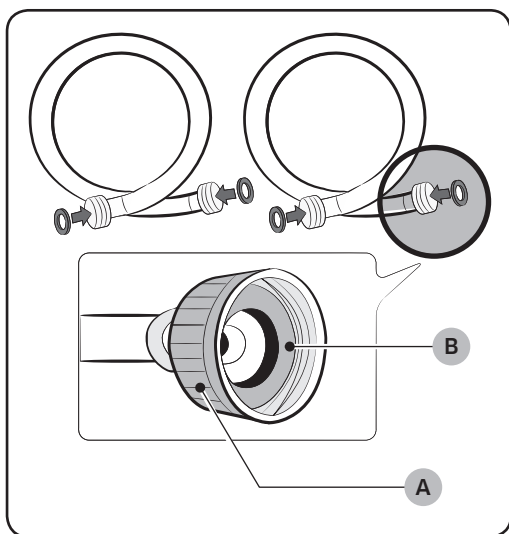
NOTA

Antes de instalar la lavadora, asegúrese de que la ubicación:

- Tenga una superficie resistente y nivelada sin alfombras ni revestimientos para pisos que puedan obstruir los orificios de ventilación.
- Esté alejada de la luz solar directa.
- Tenga una ventilación adecuada.
- No se encuentre expuesta a temperaturas de congelación (por debajo de 32 °F o 0 °C).
- Esté alejada de fuentes de calor, tales como el aceite o el gas.
- Tenga suficiente espacio como para que la lavadora no quede apoyada sobre su cable de alimentación.

Instalación

PASO 2 Conectar la manguera de suministro de agua



⚠ PRECAUCIÓN

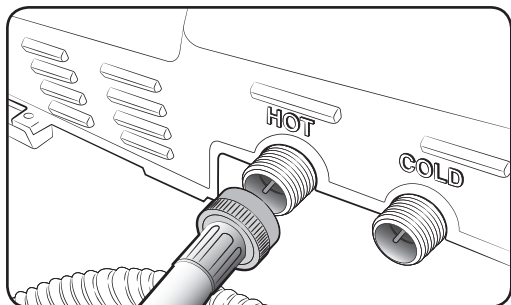
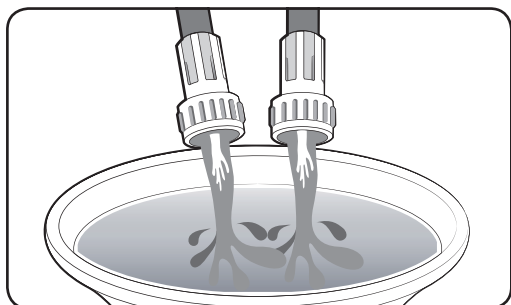
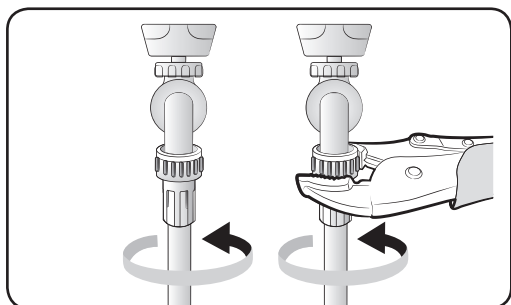
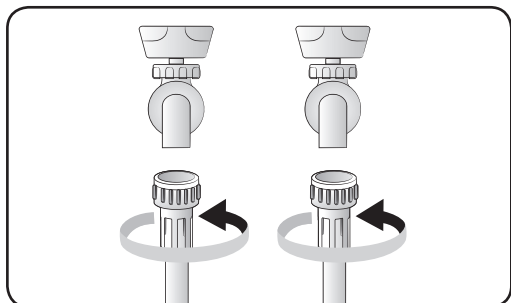
Antes de instalar las mangueras de suministro de agua, asegúrese de que los **burletes de goma (B)** estén dentro de los **acoplamientos (A)** en los extremos de cada manguera nueva. Instalar las mangueras de suministro de agua sin los burletes de goma puede producir fugas de agua.

⚠ PRECAUCIÓN

Cuando instale inicialmente la lavadora, asegúrese de utilizar mangueras nuevas. De no hacerlo se pueden producir fugas de agua o una inundación que pueden causar daños materiales.

⚠ PRECAUCIÓN

No conecte varias mangueras de suministro de agua juntas para aumentar la longitud de la manguera de suministro. Las mangueras conectadas de esta manera pueden tener fugas de agua que podrían provocar una descarga eléctrica. Si la manguera resulta demasiado corta, sustituya la manguera por otra más larga de alta presión.



1. Conecte los extremos de las mangueras de suministro de agua a las llaves del agua caliente y fría.
2. Ajuste los conectores a mano hasta que queden ceñidos y, luego, ajústelos dos tercios adicionales con una alicata.

⚠ PRECAUCIÓN

No apriete demasiado los conectores ni aplique cinta ni sellador a las llaves o a las entradas del suministro de agua. Podría dañar los accesorios.

📄 NOTA

Una vez que haya conectado las mangueras de suministro de agua a las llaves, asegúrese de que estén conectadas correctamente jalando la manguera hacia abajo.

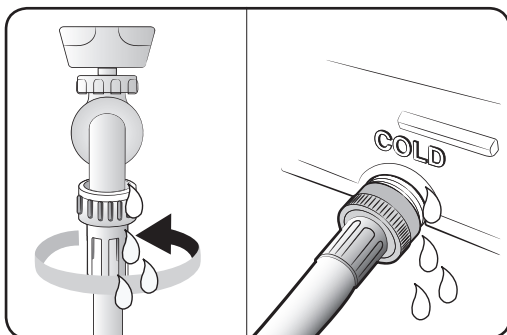
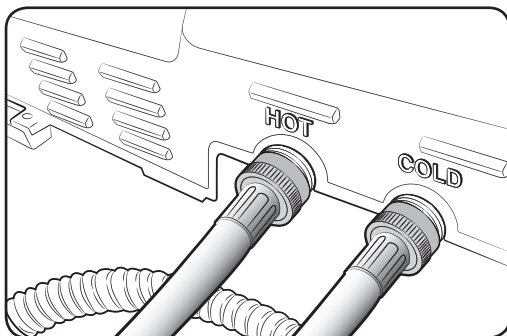
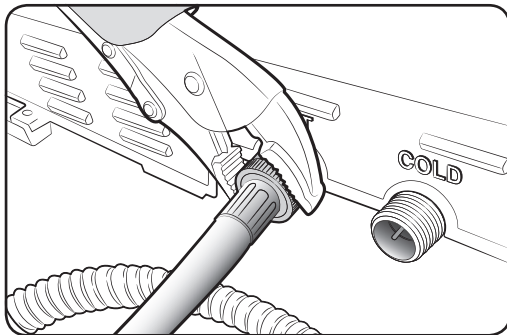
3. Coloque los extremos no conectados de las mangueras en una cubeta y abra las llaves del agua conectadas a las dos mangueras de suministro de agua durante 10 o 15 segundos para eliminar cualquier sustancia extraña de las mangueras. Cierres las llaves antes de continuar.

4. Conecte los extremos de las mangueras de suministro de agua a las conexiones de entrada de agua de la parte posterior de la lavadora.

⚠ PRECAUCIÓN

La manguera de suministro de agua conectada a la llave del agua caliente se debe conectar a la entrada del agua caliente y la manguera conectada a la llave del agua fría se debe conectar a la entrada del agua fría.

Instalación



5. Ajuste los conectores a mano hasta que queden ceñidos y, luego, ajústelos dos tercios adicionales con una alicate.

NOTA

Para asegurar el correcto uso del agua, conecte ambas llaves del agua caliente y fría. Si alguna de ellas o ambas están desconectadas, aparecerá el código "4E" (sin carga).

NOTA

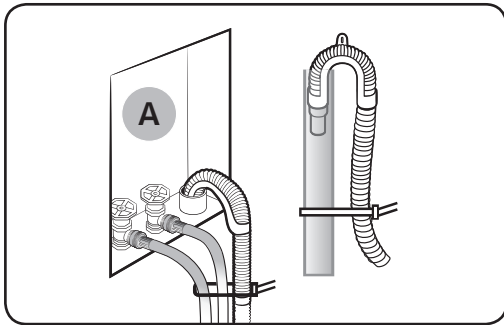
Si no desea usar la manguera de suministro de agua caliente, inserte el tapón de la entrada de agua en el orificio de la entrada del suministro de agua caliente. En este caso, debe seleccionar la opción **Tap Cold (Agua fría de la llave)** para la temperatura del agua. Si selecciona la opción **Tap Cold (Agua fría de la llave)**, todas las lámparas de las opciones de la temperatura de agua se apagan.

PRECAUCIÓN

Verifique que las mangueras de suministro de agua no estén dobladas ni torcidas. Si las mangueras están dobladas o torcidas, pueden provocarse fugas de agua y ocasionar una descarga eléctrica debido a la fuga.

6. Abra el suministro de agua caliente y fría y verifique que no haya fugas en las conexiones de entrada de agua ni en las llaves.

PASO 3 Conectar la manguera de drenaje



El extremo de la manguera de drenaje puede colocarse de tres formas:

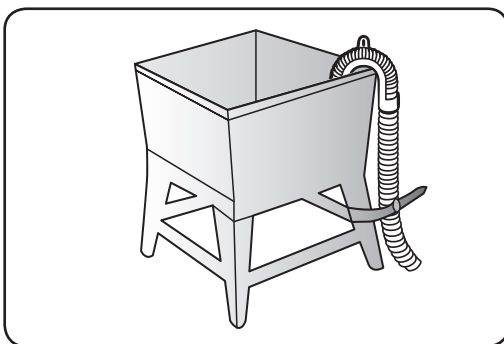
En un Tubo vertical en pared o Tubo vertical del piso

La altura del extremo del tubo vertical debe ser inferior a 39 pulgadas (99 cm) y no mas de 96 pulgadas (245 cm).

Si la tubería de desagüe se construye en la pared con las válvulas de agua (A), sujete la manguera de desagüe a la manguera de agua.

NOTA

- Asegúrese de que la conexión entre la manguera de drenaje y la toma de agua sea hermética.



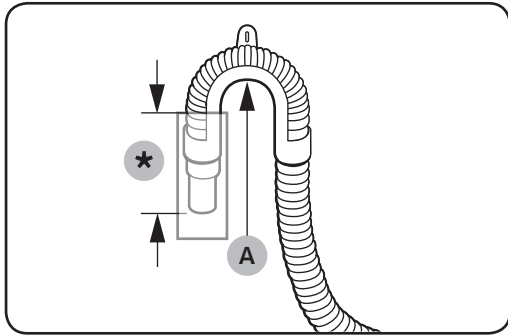
En una pila de lavar

La altura de la pila de lavar debe ser inferior a 39 pulgadas (99 cm) y no mas de 96 pulgadas (245 cm).

Monte la guía de manguera suministrada al final de la manguera de drenaje, y ponga el gancho en la pila de lavar.

Y sujete la manguera de desagüe a la pata de la pila de lavar.

Instalación



NOTA

Conecte la guía de la manguera (A) dentro de las 3~5 pulg. (7.6~12.7 cm)* desde el extremo de la manguera de drenaje. Si la manguera de drenaje se extiende de la guía de la manguera, puede propagarse moho o microorganismos al interior de la lavadora.

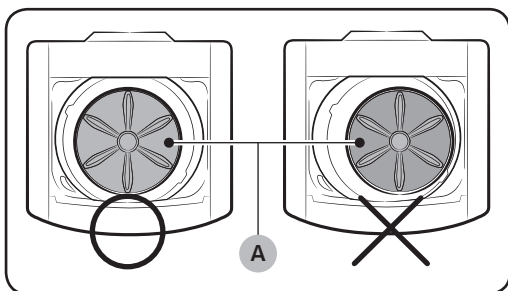
NOTA

La manguera de drenaje puede instalarse hasta una altura máxima de 96 pulg. (245 cm) pero su capacidad de drenaje se verá reducida por la altura. Puede generar malos olores en la lavadora como consecuencia del agua que queda estancada en el sistema de drenaje.

NOTA

Si la manguera de drenaje se instala por debajo de las 39 pulg. (99 cm), el agua puede drenarse en ciclos por un efecto sifón. Esta situación genera que la lavadora muestre "4C".

PASO4 Nivelar la lavadora

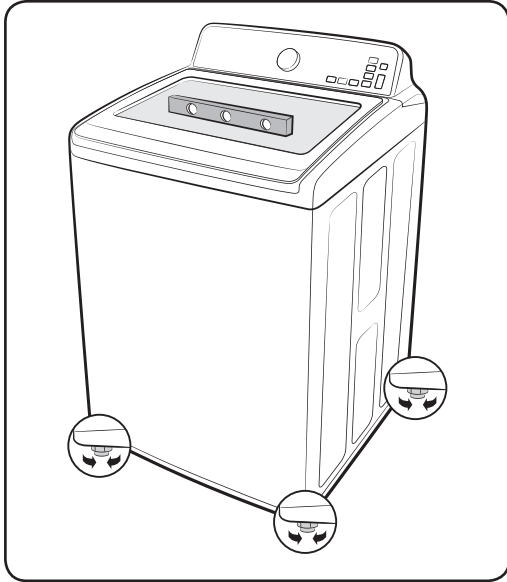


Vea si la lavadora está nivelada verificando la posición del tambor.

1. Deslice la lavadora hasta dejarla en su lugar.
2. Abra la tapa de la lavadora y vierta agua en el tambor hasta justo por debajo del nivel del pulsador.

NOTA

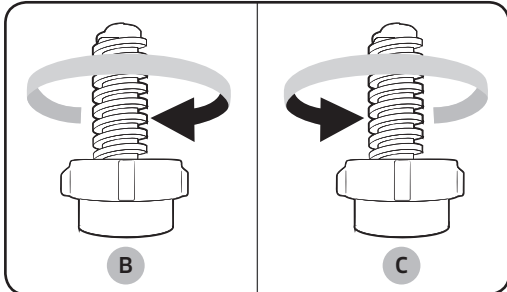
Los modelos WA52M7750A* tienen el fregadero incorporado por encima del nivel del pulsador. Por esta razón no se muestra el nivel. Abra el fregadero incorporado y revise el nivel con la vista.



3. Si la lavadora está nivelada, el **pulsador (A)** se situará en el centro del agua, como se muestra en la imagen. En caso contrario, nivele la lavadora girando la pata niveladora frontal hacia la izquierda o la derecha cuanto sea necesario.

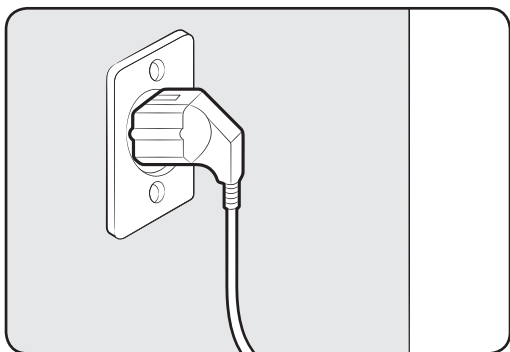
 **NOTA**

Gire la pata niveladora frontal hacia la derecha (B) para bajar la lavadora y hacia la izquierda (C) para subirla.



Instalación

PASO 5 Encender la lavadora



Enchufe el cable de alimentación a un tomacorriente aprobado de tres pines, 120 voltios, 60 Hz y con conexión a tierra, protegido por un fusible o un disyuntor de 15 A.

La lavadora está conectada a tierra a través del tercer pin del cable de alimentación cuando se lo enchufa a un tomacorriente de tres pines con conexión a tierra.

Prueba de funcionamiento

Verifique que la instalación de la lavadora sea correcta mediante la ejecución del ciclo **Rinse+Spin (Enjuague+Centrifugado)** después de finalizar la instalación.

PASO 6 Ejecutar un ciclo de prueba

Ejecute el ciclo de prueba como se explica a continuación para verificar si la lavadora está correctamente instalada.

1. Cargue aproximadamente 6 libras de ropa en el tambor.
2. Presione **Power (Encender/Apagar)** para poner en funcionamiento la lavadora.
3. Seleccione el ciclo **Rinse+Spin (Enjuague+Centrifugado)** por medio del **selector de ciclos**.
4. Presione **Start/Pause (Inicio/Pausa)** para iniciar el ciclo de prueba.
5. La lavadora no debe balancearse ni vibrar de manera excesiva durante el suministro de agua o durante el lavado o centrifugado, y debe drenar bien durante el ciclo de centrifugado.

NOTA

Si hay fugas de agua durante el suministro o el drenaje del agua, verifique las conexiones. Consulte la sección "**PASO 2 Conectar la manguera de suministro de agua**" en la página 22 para obtener instrucciones.

NOTA

Si la lavadora se balancea y vibra de manera excesiva, nivélela nuevamente. Consulte la sección "**PASO 4 Nivelar la lavadora**" en la página 26 para obtener instrucciones.



PASO 7 Modo de calibración

Su lavadora Samsung detecta automáticamente el peso de la ropa.

Para una detección más precisa del peso, ejecute el modo de calibración después de la instalación.

Para ejecutar el modo de calibración, siga estos pasos:

1. Retire la ropa o cualquier otro contenido de la máquina.
2. Mantenga presionados **Temp. (Temperatura)** y **Delay End (Termino Retardado)** simultáneamente durante 3 segundos al encender la alimentación.
3. Presione **Start/Pause (Inicio/Pausa)** para activar el modo de calibración.
4. El tambor gira en el sentido de las agujas del reloj durante unos 1 minuto.
5. Una vez finalizado el modo de calibración, en la pantalla se muestra “**End (Fin)**” y la lavadora se apaga automáticamente. La lavadora está lista para ser utilizada.

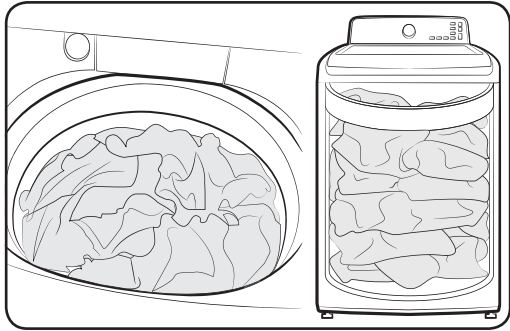


Instrucciones de funcionamiento

ADVERTENCIA

Para reducir el riesgo de incendio, descarga eléctrica o lesiones físicas cuando usa este electrodoméstico, siga las instrucciones de seguridad básicas que figuran a continuación:

Cómo cargar la lavadora



- Rellenar el tubo de ropas secas y no dobladas uniformemente para mejorar la eficiencia del lavado y evitar un desgaste excesivo, o el arruguen de la carga.
- Para conseguir un mejor rendimiento, asegúrese de que la ropa esté distribuida en forma pareja.
- Lave prendas delicadas, tales como brassieres, calcetines y demás lencería, en el ciclo Delicates (Delicados) con prendas livianas similares.
- Cuando lave artículos voluminosos o algunos artículos más pequeños que no carguen el tambor completamente, por ejemplo un tapete, una almohada, muñecos de peluche, o uno o dos suéteres, agregue algunas toallas para que el centrifugado resulte más eficaz.
- No cargue prendas voluminosas excepto en el ciclo Bedding (Ropa de cama).

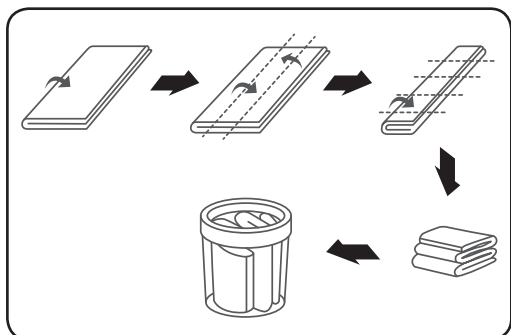
NOTA

Durante el ciclo de centrifugado, la lavadora puede agregar agua adicional para redistribuir las prendas y corregir el desequilibrio dentro del tambor.

- Cuando lave ropa muy sucia, no sobrecargue la lavadora para garantizar un lavado de óptima calidad.

PRECAUCIÓN

- Los elementos inflables podrían dañar la ropa o la máquina durante el proceso de lavado o secado.
- Independientemente del tamaño, es más seguro lavar las cobijas o colchas de a una por vez. Dos cobijas de diferente tamaño en la misma carga podrían comprometer el desempeño de secado debido a que las cargas no están equilibradas.



Para colocar una cobija
Doble la cobija en la red específica para cobijas como se muestra, luego inserte en el tambor abajo del área plástica del tambor.

⚠ PRECAUCIÓN

Asegúrese de que la carga de ropa esté completamente insertada.

- Cualquier parte expuesta de la ropa podría dañar la máquina o se podría dañar la ropa o podría producirse una fuga de agua.
- No sobrecargue la lavadora. Asegúrese de que ninguna parte de la carga de ropa quede fuera del tambor.

Para agregar una prenda que se había olvidado:

1. Presione **Start/Pause (Inicio/Pausa)** para detener la lavadora.
2. Espere a que la puerta se destrabe automáticamente y ábrala.
3. Agregue la prenda, cierre la puerta y, luego, presione **Start/Pause (Inicio/Pausa)**. El ciclo se reanudará.

Cómo comenzar

1. Cargue la lavadora.
2. Agregue detergente líquido (o en polvo) y aditivos al dosificador (consulte la sección "Uso del detergente" en la página 46).
3. Seleccione el ciclo y las opciones apropiadas para la carga (consulte la sección "Lavado de una carga de ropa" en la página 32).
4. Cierre la tapa.
5. Presione **Start/Pause (Inicio/Pausa)**.
6. Se iluminará la luz del indicador **Wash (Lavar)**.
7. El tiempo del ciclo estimado aparecerá en la pantalla.


Es posible que el tiempo fluctúe para indicar el tiempo restante en el ciclo.

📄 NOTA

El tiempo real requerido para un ciclo puede diferir del estimado en la pantalla dependiendo de la presión y la temperatura del agua, el detergente y la ropa.

8. Antes de que la lavadora comience a llenarse, se escuchará una serie de sonidos semejantes a un "clic" para controlar la traba de la puerta y que se efectúe un drenaje rápido.

📄 NOTA

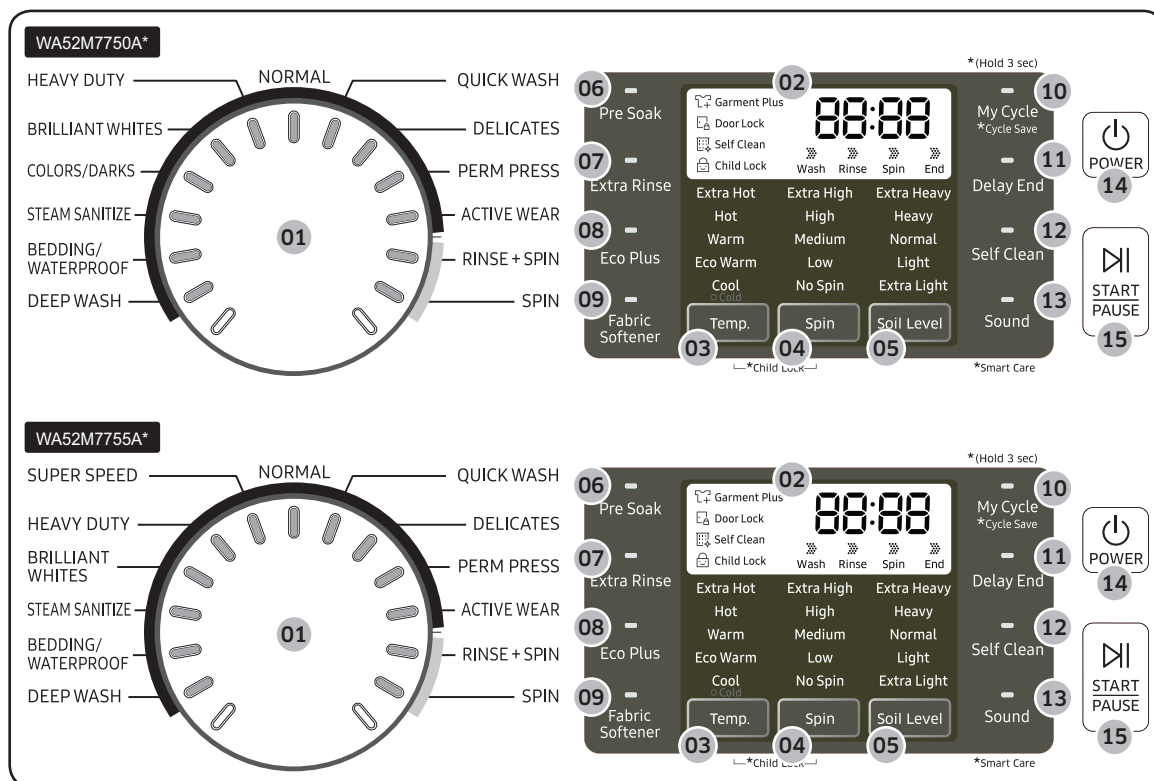
- Cuando haya finalizado el ciclo, el indicador de la  **Door Lock (Traba de la puerta)** se apagará y la palabra "End (Fin)" aparecerá en la pantalla.
- Si presiona **Power (Encender/Apagar)**, se cancelará el ciclo y la lavadora se detendrá.
- Los indicadores de **Wash (Lavar)**, **Rinse (Enjuagar)** y **Spin (Centrifugar)** se iluminarán durante dichas fases del ciclo.

Lavado de una carga de ropa

⚠ ADVERTENCIA


Para reducir el riesgo de incendio, descarga eléctrica o lesiones personales, lea las INSTRUCCIONES DE SEGURIDAD IMPORTANTES antes de poner en funcionamiento el electrodoméstico.

Panel de control



01 Selector de ciclos	Gire el selector de ciclos para seleccionar el ciclo deseado. La luz del indicador junto al nombre del ciclo se enciende.
02 Pantalla	Ofrece instrucciones y diagnósticos y lo mantiene informado sobre el estado del ciclo y el tiempo restante.

Lavado de una carga de ropa

<p>03 Temp. (Temperatura)</p>	<p>Presione este botón repetidamente para rotar entre las distintas opciones disponibles de temperatura del agua.</p> <ul style="list-style-type: none"> • Extra Hot (Muy Caliente) - Prendas muy sucias que no destiñen. Únicamente disponible con el ciclo Sanitize (Esterilizar). • Hot (Caliente): Ropa blanca y prendas muy sucias que no destiñen. • Warm (Tibia): Prendas que no destiñen. • Eco Warm (Lavado ecológico cálido): Prendas moderadamente sucias, que no destiñen; la mayoría de las prendas sin arrugas. • Cool - Prendas de colores vivos, ligeramente sucias. • Cold (Muy Fría): Agua fría sin agregar agua cálida. <p> NOTA</p> <p>Si selecciona la opción Tap Cold (Agua fría de la llave), todas las lámparas de las opciones de la temperatura de agua se apagan.</p>
<p>04 Spin (Centrifugar)</p>	<p>Presione este botón repetidamente para rotar entre las distintas opciones de velocidad de centrifugado.</p> <ul style="list-style-type: none"> • Extra High (Muy alto): Extrae más agua de las cargas durante el centrifugado. • High (Alto): Se usa para la ropa interior, las camisetas, los jeans y los algodones resistentes. • Medium (Mediano): Se usa para los jeans, las prendas sin arrugas o que no necesitan planchado y las telas sintéticas. • Low (Bajo): Se usa para prendas delicadas que necesitan centrifugado a velocidad lenta. • No Spin (Sin centrifugado): Drena la lavadora sin centrifugar. Se usa para prendas extremadamente delicadas que no resisten el centrifugado.
<p>05 Soil Level (Nivel de suciedad)</p>	<p>Presione el botón para seleccionar el nivel de suciedad y el tiempo de lavado.</p> <ul style="list-style-type: none"> • Extra Heavy • Heavy (Muy sucia): Para prendas muy sucias. • Normal (Normal): Para prendas moderadamente sucias. Esta opción es la mejor para la mayoría de las cargas. • Light (Ligeramente sucia): Para prendas ligeramente sucias. • Extra Light
<p>06 Pre Soak (Remojo)</p>	<p>Agrega 15 minutos de tiempo de remojo al inicio del ciclo de lavado para una mejor remoción de manchas.</p>



Lavado de una carga de ropa

07 Extra Rinse (Enjuague extra)	Cambie del modo de enjuague con rociador al modo de enjuague profundo y vuelva a enjuagar.
08 Eco Plus	Para mejorar el ahorro de energía en sus ciclos de lavado. (Menos consumo de agua caliente)
09 Fabric Softener (Suavizante de telas)	Agregue un enjuague adicional al final del ciclo para remover los aditivos y perfumes del lavado con mayor eficacia.
10 My Cycle (Mi ciclo)	Mantenga presionado durante 3 segundos para guardar su propio ciclo. Cree o utilice un ciclo en el que haya personalizando la temperatura, la velocidad de centrifugado, el nivel de suciedad, las opciones, etc.
11 Delay End (Termino Retardado)	Retarde el fin de cualquier ciclo hasta por 19 horas en incrementos de una hora. La hora en pantalla indica el tiempo en el cual finalizará el lavado.
12 Self Clean (Autolimpieza)	Úselo para limpiar suciedad y bacterias del tambor. Se recomienda el uso regular (después de 20 lavados). No es necesario usar detergente ni blanqueador.
13 Sound (Sonido)	La función Sin Sonido se puede seleccionar durante todos los ciclos.
14 Power (Encender/ Apagar)	Presiónelo una vez para encender la lavadora. Vuelva a presionarlo para apagar la lavadora. Si la lavadora permanece encendida durante más de 10 minutos sin que se presione ninguno de los botones, se apagará automáticamente.
15 Start/Pause (Inicio/Pausa)	Presiónelo para detener y reiniciar los ciclos.

Descripción del ciclo

NOTA

Para minimizar la formación de arrugas en la ropa, seleccione **Perm Press (Plancha permanente)**.

Ciclo	Descripción
NORMAL (NORMAL)	Para la mayoría de las telas, incluido algodón, lino y prendas moderadamente sucias.
SUPER SPEED (SÚPER VELOCIDAD) (WA52M7755A*)	Cargas levemente sucias y normales (hasta 8 libras).
HEAVY DUTY (ACCIÓN FUERTE)	Para telas resistentes que no destiñen y prendas muy sucias. Proponemos usar esta función solo cuando se lave mucha ropa excesivamente sucia.
BRILLIANT WHITES (BLANCOS BRILLANTES)	Cargas pequeñas ligeramente sucias.
COLORS/DARKS (ROPA DE COLOR/OSCURA) (WA52M7750A*)	Para prendas informales de colores vivos u oscuros.
STEAM SANITIZE (DESINFECCIÓN CON VAPOR)	Para prendas de vestir demasiado sucias o que no se destiñen. (less than 14lbs)  NOTA Si selecciona Pausa durante la porción de calentamiento del Ciclo de Esterilizar, la puerta de su lavadora permanecerá cerrada para su seguridad.
BEDDING/ WATERPROOF (ROPA DE CAMA/PRENDAS IMPERMEABLES)	Para prendas voluminosas, como edredones, cobijas y sábanas. Cuando lave edredones, prendas impermeables o resistentes al agua, utilice detergente líquido.  PRECAUCIÓN ✘ No lave prendas impermeables junto con otras prendas que no lo son. ✘ Revise la etiqueta del artículo para saber si es impermeable.
DEEP WASH (LAVADO PROFUNDO)	Utilizar más agua en el lavado y el enjuague.
QUICK WASH (LAVADO RÁPIDO)	Para prendas ligeramente sucias que se necesitan con urgencia.
DELICATES (DELICADOS)	Para telas finas, brassieres, lencería, seda y otras telas que deben lavarse únicamente a mano. Para obtener mejores resultados, use detergente líquido.

Lavado de una carga de ropa

Ciclo	Descripción
PERM PRESS (PLANCHA PERMANENTE)	Para telas sintéticas que no necesitan planchado y prendas de ligera a moderadamente sucias.
ACTIVE WEAR (ROPA DEPORTIVA)	Use este ciclo para lavar ropa deportiva, como buzos deportivos, pantalones deportivos, camisetas u otras prendas de entrenamiento. Este ciclo proporciona una eliminación efectiva de la suciedad al realizar el lavado con suavidad para prendas que requieren un cuidado especial.
RINSE + SPIN (ENJUAGUE + CENTRIFUGADO)	Úselo para cargas que necesitan únicamente enjuague o para agregar a la carga suavizante de telas que se añade durante el enjuague.
SPIN (CENTRIFUGADO)	Drena y el agua centrifuga a alta velocidad.


Opciones

Child Lock (Seguro para niños)

La función de seguro para niños evita que los niños jueguen con la lavadora.

Activación de la función de seguro para niños

Mantenga presionados simultáneamente **Spin (Centrifugar)** y **Soil Level (Nivel suciedad)** durante aproximadamente 3 segundos.

- Cuando se activa la función de seguro para niños, parpadea el indicador  **Child Lock (Seguro para niños)**.

Uso de la función de seguro para niños

Si se abre la tapa cuando la función de seguro para niños está activada, se muestra **"dC"** y suena una alarma.

- Si el nivel del agua del tambor es superior al nivel del agua de seguridad, se muestra **"dC"** en la pantalla LED y la lavadora inicia automáticamente el drenaje forzado del agua luego de 30 segundos.
- Si el nivel del agua del tambor es superior al nivel del agua de seguridad y se activó la función de seguro para niños mientras la puerta está abierta, **"CL"** se muestra en la pantalla LED aunque la lavadora esté apagada y se inicia automáticamente el drenaje del agua.

- Incluso con la lavadora apagada, si se abre la tapa mientras el nivel del agua del tambor está por encima del nivel establecido, **"CL"** se muestra en la pantalla LED sin que suene una alarma y la lavadora inicia el drenaje del agua. Cuando finaliza la operación de drenaje, la lavadora se apaga nuevamente de manera automática.
- Si se activa la función de seguro para niños mientras la lavadora está en funcionamiento, el botón **Start/Pause (Inicio/Pausa)** no funciona.
- Tras el drenaje obligatorio, **"CL"** parpadea en intervalos de 1 segundo y el producto entra en el modo **"CL"**. (Cuando el producto está en el modo **"CL"**, solo funciona el botón **Power (Encender/Apagar)**).
- Para cancelar el modo **"CL"**, se debe apagar y volver a encender la alimentación.
- Para cancelar el modo **"dC"**, desactive la función de seguro para niños. Para desactivar la función de seguro para niños, mantenga presionados simultáneamente **Spin (Centrifugar)** y **Soil Level (Nivel de suciedad)** durante 3 segundos como mínimo.

Lavado de una carga de ropa


NOTA

Agregado de ropa con la función de seguro para niños activada

Para agregar ropa, desactive la función de seguro para niños. Para desactivar la función de seguro para niños, mantenga presionados simultáneamente **Spin (Centrifugar)** y **Soil Level (Nivel de suciedad)** durante 3 segundos como mínimo. Consulte la sección “**Opción de pausa**” en la página 42 para obtener más detalles.

Desactivación de la función de seguro para niños

Mantenga presionados simultáneamente **Spin (Centrifugar)** y **Soil Level (Nivel de suciedad)** durante aproximadamente 3 segundos.

- Si se desactiva la función de seguro para niños, el indicador de  **Child Lock (Seguro para niños)** se apaga.
- La función de seguro para niños impide que los niños o las personas discapacitadas pongan en funcionamiento la lavadora accidentalmente y se lesionen.

ADVERTENCIA

Si un niño entra a la lavadora, puede quedar atrapado y asfixiarse.

PRECAUCIÓN

- Una vez activada la función de seguro para niños, continúa funcionando aunque la lavadora esté apagada.
- Abrir la tapa por la fuerza puede dañar el producto o causar lesiones personales.


NOTA

Para agregar ropa cuando la función de seguro para niños está activada, primero se debe desactivar dicha función.

Sonido

La función Sound Off (Sin Sonido) se puede seleccionar durante todos los ciclos.

Garment Plus (Más prendas)

Puede retirar o agregar prendas para lavar incluso una vez que haya comenzado el lavado, siempre y cuando esté encendido el indicador de  **Garment+ (Más prendas)**. Al presionar **Start/Pause (Inicio/Pausa)** se destraba la tapa. Si abre la tapa y desea continuar el ciclo de lavado, cierre la tapa y, luego, presione **Start/Pause (Inicio/Pausa)**.

NOTA

Si activó la función de seguro para niños, debe desactivarla primero. Consulte la página 37.

My Cycle (Mi ciclo)

Le permite guardar un ciclo de lavado personalizado (temperatura, centrifugado, nivel de suciedad, etc.) para recuperarlo y utilizarlo con la practicidad de presionar un solo botón.

Para guardar un ciclo y las opciones seleccionadas como My Cycle (Mi ciclo), siga estos pasos:

1. Presione **Power (Encender/Apagar)**.
2. Seleccione un ciclo utilizando el **selector de ciclos**.
3. Después de seleccionar el ciclo, elija una opción.

NOTA

Consulte la sección “**Tabla de ciclos**” en la página **69** para conocer las configuraciones de las opciones disponibles para cada ciclo.

4. Puede guardar el ciclo y las opciones seleccionadas manteniendo presionado **My Cycle (Mi ciclo)** durante más de 3 segundos. El ciclo y las opciones que seleccione aparecerán la próxima vez que elija la función My Cycle (Mi ciclo).
5. Presione **My Cycle (Mi ciclo)** para cargar y utilizar las opciones guardadas en My Cycle (Mi Ciclo). La luz de “My Cycle (Mi ciclo)” indicará que está activo. Las luces de la opción y del ciclo elegidos también parpadearán.

NOTA

Puede cambiar la configuración de esta función repitiendo el proceso descrito más arriba.

La próxima vez que elija la función My Cycle (Mi ciclo) aparecerá la última configuración guardada.

NOTA

Si presiona **My Cycle (Mi Ciclo)** y lo suelta dentro de los 3 segundos, aparecerán las opciones y el ciclo que se guardaron anteriormente. Si mantiene presionado **My Cycle (Mi Ciclo)** durante 3 segundos o más, se guardarán las opciones y el ciclo configurados actualmente y el LED parpadeará durante 3 segundos.

Delay End (Termino Retardado)

Puede hacer que la lavadora inicie automáticamente el lavado en otro momento, eligiendo un tiempo de retardo.

La hora en pantalla indica el tiempo en el cual finalizará el lavado.

1. Establezca su ciclo de lavado.
2. Presione repetidamente **Delay End (Termino Retardado)** hasta establecer el tiempo de retardo.
3. Presione **Start/Pause (Inicio/Pausa)**. El indicador de “Delay End (Termino Retardado)” se encenderá y el reloj comenzará la cuenta regresiva hasta llegar al tiempo establecido.
4. Para cancelar la función Delay End (Termino Retardado), presione el botón **Power (Encender/Apagar)** y, luego, encienda la lavadora nuevamente.

Pre Soak (Remojo)

Utilice esta función cuando la ropa esté muy sucia o manchada. Esta función mejora el rendimiento del lavado ya que añade un ciclo de remojo.

- Si se selecciona esta función, el tiempo total del ciclo se incrementa en 15 minutos.
- Cuando se inicia el ciclo Pre Soak (Remojo), la lavadora repite un ciclo de lavado luego de suministrar agua y ejecuta un ciclo de remojo de 15 minutos.
- Luego de completarse el ciclo Pre Soak (Remojo), el ciclo de lavado establecido se inicia sin drenar el agua.

Lavado de una carga de ropa

Eco Plus

Esta función usa una temperatura algo inferior a la del ciclo de lavado normal y prolonga ligeramente el tiempo de lavado. Gracias a que se prolonga ligeramente el tiempo de lavado, es posible mantener el mismo nivel de rendimiento de lavado con agua más fría. Esta función reduce el consumo de energía y mantiene la calidad del lavado.

Mist Shower (Lluvia de vapor de agua)

Mist Shower (Lluvia de vapor de agua) rocía agua desde una boquilla independiente del sistema de suministro de agua principal. Remoja las prendas con agua desde el inicio del ciclo de enjuague y asegura un lavado efectivo, pero no es parte del ciclo de lavado, es parte del ciclo de enjuague, por lo que asegura un enjuague efectivo. (Es posible que la función Mist Shower (Lluvia de vapor de agua) no funcione si hay una carga de ropa demasiado grande en la máquina).

Smart Care

Esta función permite verificar el estado de la lavadora con un teléfono inteligente.

1. Para habilitar la función Smart Care, mantenga presionado **Pre Soak (Remojo)** durante 3 segundos después del encendido o cuando se produce un error.

NOTA

El historial de códigos de error se borra luego de usar la función.

2. El indicador de Smart Care está encendido en la pantalla.
3. Ejecute la aplicación Smart Care en su teléfono inteligente.
 - Android: Series Galaxy S, Galaxy Note. (Es posible que otros dispositivos no funcionen con normalidad).
SO admitido: Android 2.2 o superior
 - iOS: iPhone
SO admitido: iOS 4.3 o superior
4. Enfoque la cámara del teléfono inteligente hacia el panel de la pantalla de la lavadora.

-
5. Si enfoca la cámara del teléfono inteligente hacia el panel de la pantalla de la lavadora, el panel y el mensaje de error se reconocen automáticamente y el tipo de error y las medidas de solución se muestran en el teléfono inteligente.
 6. Si el teléfono inteligente no reconoce el código de error más de dos veces, ingrese en forma manual el código de error indicado en el panel de la pantalla de la lavadora en la aplicación Smart Care.

 **NOTA**

Descarga de la aplicación Smart Care

- Descargue la Samsung Laundry App en su teléfono celular desde Android Market o Apple App store. (Buscar palabra: Lavadora/secadora inteligente Samsung)

 **NOTA**

Precauciones de uso de Smart Care

- Si la luz de un fluorescente o una lámpara se refleja en el panel de la pantalla de la lavadora, es posible que el teléfono inteligente no reconozca fácilmente el panel o el mensaje de error.
- Si sostiene el teléfono inteligente en un ángulo demasiado abierto respecto al frontal del panel de la pantalla, es posible que no reconozca el código de error. Para obtener los mejores resultados, sostenga el teléfono inteligente en una posición paralela o casi paralela respecto al frontal del panel.

Lavado de una carga de ropa

Lavado de prendas con el selector de ciclos

Su nueva lavadora facilita el lavado de las prendas gracias al sistema de control automático "Fuzzy Control" de Samsung. Cuando seleccione un programa de lavado, la lavadora elegirá la temperatura correcta, el tiempo de lavado y la velocidad de lavado.

1. Presione **Power (Encender/Apagar)**.
2. Abra la tapa.
3. Coloque las prendas una a una dejando algo de espacio libre en el tambor, sin llenarlo demasiado.
4. Agregue el detergente líquido (o en polvo), el suavizante y el blanqueador (si es necesario) en el compartimiento adecuado. Consulte la sección "Uso del detergente" en la página 46.
5. Cierre la tapa.
6. Utilice el **selector de ciclos** para seleccionar el ciclo adecuado para cada tipo de material: **NORMAL (NORMAL)**, **HEAVY DUTY (ACCION FUERTE)**, **STEAM SANITIZE (DESINFECCIÓN CON VAPOR)**, **DEEP WASH (LAVADO PROFUNDO)**, **COLORS/DARKS (ROPA DE COLOR/ OSCURA)(WA52M7750A*)**, **PERM PRESS (PLANCHA PERMANENTE)**, **ACTIVE WEAR (ROPA DEPORTIVA)**, **SUPER SPEED (SUPER VELOCIDAD) (WA52M7755A*)**, **BRILLIANT WHITE (BLANCOS BRILLANTES)**, **BEDDING/ WATERPROOF (ROPA DE CAMA/ PRENDAS IMPERMEABLES)**, **QUICK WASH (LAVADO RAPIDO)**, **DELICATES (DELICADOS)**, **SPIN (CENTRIFUGADO)** y **RINSE+SPIN (ENJUAGUE + CENTRIFUGADO)**. Se encenderán los indicadores correspondientes en el panel de control.

7. En ese momento, puede controlar la temperatura del lavado, la cantidad de ciclos de enjuague, la velocidad de centrifugado y el tiempo de retardo presionando el botón de la opción adecuada.
8. Presione **Start/Pause (Inicio/Pausa)** y comenzará el lavado. El indicador de funcionamiento se iluminará y aparecerá en la pantalla el tiempo restante del ciclo.

Opción de pausa

Para retirar o agregar prendas, siga estos pasos:

1. Presione **Start/Pause (Inicio/Pausa)** para destrabar la tapa.

NOTA

No es posible abrir la tapa cuando la temperatura del agua está demasiado CALIENTE.

2. Retire o agregue las prendas.
3. Cierre la tapa y, luego, presione **Start/Pause (Inicio/Pausa)** para reiniciar el lavado.

NOTA

Si la función Child Lock (Seguro para niños) está activada, debe desactivarla primero. Consulte la página 37.

Cuando el ciclo ha finalizado:

Al finalizar el ciclo, la lavadora se apagará automáticamente.

1. Abra la tapa.
2. Saque la ropa limpia.

ATC (control automático de la temperatura)

ATC es la función de control mediante la cual la lavadora controla la temperatura del agua mediante el sensor de temperatura (termistor).

NOTA

Debido a que hay numerosas temperaturas de agua dependiendo del entorno de cada cliente (zonas frías, cálidas, diversas temperaturas de agua, configuraciones de la temperatura del calentador, etc.), la función ATC de nuestra lavadora mantiene un cierto nivel de temperatura de lavado para brindar el mejor desempeño de lavado en cada ciclo.

NOTA

Si selecciona el ciclo **normal**, este ciclo es la norma y ciclo UL. Dado que las lavadoras nuevas deben reducir el consumo de energía como una prioridad principal, los clientes observarán el ingreso de más agua fría en la lavadora. Esto es normal y no constituye un problema.

En dichos ciclos regulatorios, la temperatura caliente es similar a una temperatura aceptable de agua de ducha para adultos y la temperatura tibia es similar a la temperatura agradable de una piscina.

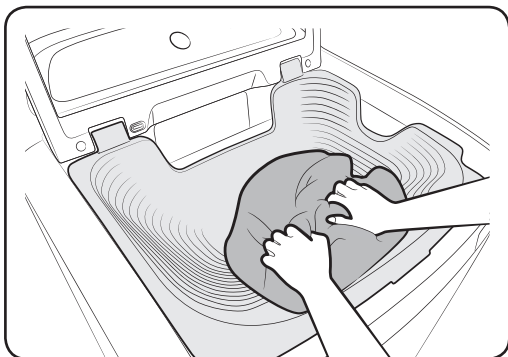
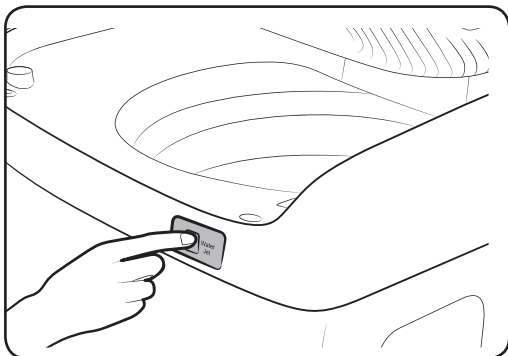
NOTA

Si los clientes desean lavar las prendas en temperaturas de agua específicas, deben elegir un ciclo diferente en cada temperatura (Caliente/Tibia/Lavado ecológico cálido).

Lavado de una carga de ropa

Lo básico

Prelavado (Water Jet (Chorro de agua) y Built-in sink (Pileta incorporada))



Water Jet (Chorro de agua) y Built-in sink (Pileta incorporada) le ayudan a lavar a mano antes de que la lavadora comience a funcionar. Water Jet está disponible solo cuando la puerta está abierta con el nivel de agua establecido a un inferior a Alto. Para el prelavado, use la Built-in sink (Pileta incorporada) que está diseñada para facilitar el lavado a mano.

1. Con la puerta abierta, baje el fregadero incorporado. Para abrir solo la puerta, presione y suelte la esquina frontal derecha de la puerta. **Para cerrar y bloquear la puerta y el fregadero incorporado, presione la puerta hasta oír.**
2. Coloque las prendas para prelavarlas.
3. Presione el chorro de agua para suministrar agua al fregadero incorporado y lavar a mano.
4. Al finalizar, levante con cuidado el fregadero incorporado para vaciar el agua en el tambor.

NOTA

- Si quiere lavar a mano mientras la máquina está funcionando, presione el botón Start/Pause (Inicio/Pausa) para detener el funcionamiento, y luego siga los pasos 1-4 anteriores.
- Si abre la puerta y la Built-in sink (Pileta incorporada), baje la Pileta incorporada manualmente para el prelavado.

[El chorro de agua se detiene]

- El chorro de agua se detiene automáticamente cuando la lavadora detecta el nivel máximo de agua.
- El chorro de agua se detiene automáticamente después de 5 minutos de funcionamiento. Para agregar más agua, vuelva a presionar el chorro de agua.

[El chorro de agua drena]

- Seleccione un ciclo y presione Start/Pause (Inicio/Pausa). La lavadora drena el agua que va a utilizar durante el prelavado.
- Cuando se apaga la lavadora antes de iniciar el ciclo de lavado, drena el agua que va a utilizar durante el prelavado. No obstante, si se apaga durante el ciclo de lavado, no drena el agua.

NOTA

- El chorro de agua extrae el agua a través de la boquilla Mist Shower (Lluvia de vapor de agua) durante 1 segundo y, luego, a través de la boquilla del chorro de agua cuando se activa por primera vez después de encenderse la lavadora.

PRECAUCIÓN

- No abuse del Water Jet (Chorro de agua). El uso excesivo del Water Jet (Chorro de agua) aumenta el consumo de agua.
- Cuando lleve agua hacia el tambor, hágalo suavemente. De lo contrario, el agua puede derramarse del tambor.
- Tenga cuidado cuando retire la ropa del tambor. Podría golpearse la cabeza con el fregadero incorporado.
- No bloquee la salida del chorro de agua con las manos. Puede haber una fuga de agua del tambor y causar una falla del sistema.
- Ponga solo ropa para prelarvar en el fregadero incorporado. No se puede efectuar un prelavado con otros artículos como zapatos, comida o animales.
- Tenga cuidado al abrir el fregadero incorporado. El agua restante del fregadero puede salpicar la puerta o el panel de control.
- Cuando se activa el chorro de agua por primera vez, se puede derramar agua por la salida debido a una diferencia de presión del aire.
- Esta tapa debe estar bien cerrada para realizar el lavado.

Lavado de una carga de ropa

Uso del detergente



La lavadora fue diseñada para usar detergentes de alta eficacia (HE, por su sigla en inglés).

- Para obtener un lavado de óptima calidad, use un detergente de alta eficacia, por ejemplo: Tide HE, Wisk HE, Cheer HE o Gain HE*. Los detergentes de alta eficacia contienen supresores de la espuma que reducen o eliminan la espuma. Cuando se produce menos espuma, la carga se mueve con mayor eficacia y el lavado se maximiza. (* Los nombres de las marcas son marcas comerciales de sus respectivos fabricantes).

ADVERTENCIA

No se recomienda un detergente convencional. Utilice solo detergentes de alta eficacia (HE).

NOTA

Reducir la cantidad de detergente puede reducir la calidad del lavado. Es importante tratar las manchas previamente, clasificar las prendas con cuidado por color y nivel de suciedad, y evitar sobrecargar la lavadora.

Funciones

Dosificador automático

La lavadora cuenta con compartimientos separados para dosificar el detergente, el blanqueador con protección para ropa de color y el suavizante de telas. Coloque todos los aditivos de lavado en su compartimiento respectivo antes de poner en funcionamiento la lavadora.

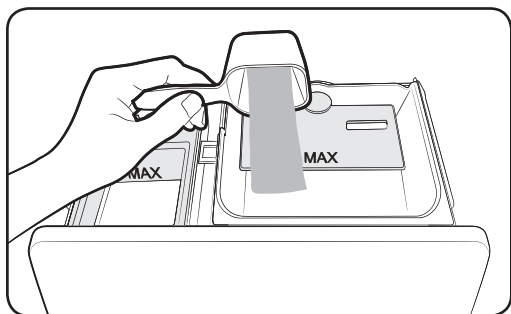
El dosificador automático siempre debe estar en su sitio antes de poner en funcionamiento la lavadora.

NO abra el dosificador automático cuando la lavadora está en funcionamiento.

NOTA

- Cuando vierta detergente nunca sobrepase las recomendaciones del fabricante.
- Este compartimiento contiene el detergente líquido durante el ciclo de lavado principal, que se vierte a la carga al inicio del ciclo.
- Cuando utilice detergente en polvo, quite el compartimiento del detergente líquido del cajón para detergente. La lavadora no dosifica detergente en polvo desde el compartimiento para el detergente líquido.

Para agregar detergente al dosificador automático:



1. Abra el cajón del dosificador.
2. Vierta la cantidad recomendada de detergente líquido (o en polvo) en el compartimiento para el detergente antes de iniciar el lavado.
3. Cierre el cajón lentamente y con suavidad para evitar derrames, salpicaduras o una prematura dosificación del contenido.

NOTA

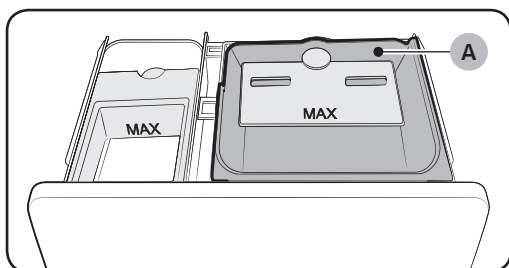
Es normal que al final del ciclo quede una pequeña cantidad de agua en los compartimientos del dosificador.

NOTA

No utilice blanqueador que contenga cloro en el cajón dosificador.

Lavado de una carga de ropa

Carga del compartimiento para el detergente líquido (o en polvo)



1. Vierta la cantidad recomendada de detergente para ropa directamente en el compartimiento para el detergente antes de encender la lavadora.
2. Si se usa blanqueador con protección para ropa de color, debe agregarse con el detergente en el compartimiento para el detergente.

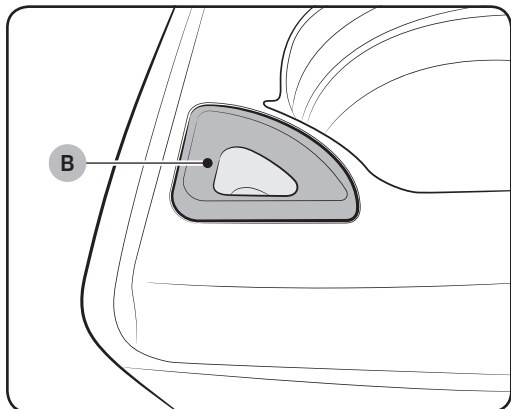
NOTA

Cuando agregue blanqueador con protección para ropa de color junto con el detergente, lo mejor es que ambos productos tengan la misma consistencia líquida.

NOTA

Cuando utilice detergente en polvo, quite el **compartimiento del detergente líquido (A)** del cajón para detergente. La lavadora no dosifica detergente en polvo desde el compartimiento para el detergente líquido.

Carga del compartimiento para el blanqueador



PRECAUCIÓN

Utilice solamente blanqueador líquido que contenga cloro.

1. Agregue blanqueador que contenga cloro en el **compartimiento para el blanqueador (B)**.

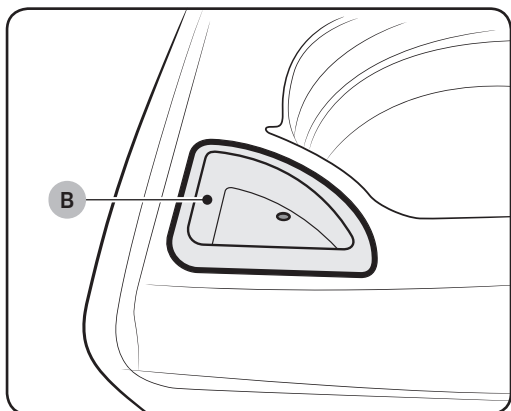
NO se exceda de la línea MAX FILL (Llenado máximo).

NOTA

- Evite salpicar o rebasar el compartimiento.
 - La lavadora dosificará automáticamente el blanqueador dentro del tambor en el momento apropiado.
2. El dosificador diluye automáticamente el blanqueador líquido que contenga cloro antes de que llegue a la carga para lavar.
 - Nunca vierta un blanqueador líquido que contenga cloro sin diluir directamente sobre la carga o dentro del tambor. Se trata de un químico potente y puede ser perjudicial para la tela, por ejemplo desgastando las fibras o causando decoloración, si no se usa correctamente.
 - Si prefiere usar blanqueador sin cloro, con protección para ropa de color, agréguelo al compartimiento para el detergente apropiado. NO vierta blanqueador con protección para ropa de color en el compartimiento para el blanqueador.

Lavado de una carga de ropa

Carga del compartimiento para el blanqueador



⚠ PRECAUCIÓN

Use solo el blanqueador líquido que contenga cloro.

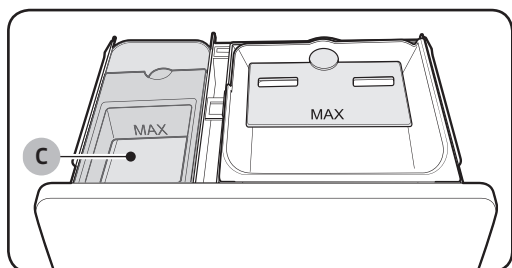
1. Agregue blanqueador que contenga cloro en el **compartimiento para el blanqueador(B)**.
NO llene en exceso el compartimiento para el blanqueador.

📄 NOTA

- Evite salpicar o rebasar el compartimiento.
- Nunca vierta el blanqueador líquido que contenga cloro sin diluir directamente sobre la carga o dentro del tambor. Se trata de un químico potente y puede ser perjudicial para la tela, por ejemplo desgastando las fibras o causando decoloración, si no se usa correctamente.
- Si prefiere usar blanqueador sin cloro, con protección para ropa de color, agréguelo al compartimiento para el detergente apropiado.

NO vierta blanqueador con protección para ropa de color directamente en el compartimiento para el blanqueador.

Carga del compartimiento para el suavizante



1. Vierta la cantidad recomendada de suavizante de telas líquido en el **compartimiento para el suavizante (C)**. Para cargas más pequeñas, use menos del contenido de una tapa.
2. Diluya el suavizante de telas con agua hasta que alcance la línea MAX FILL (Llenado máximo) del compartimiento.
3. El dosificador libera automáticamente el suavizante de telas líquido en el momento correcto durante el ciclo de enjuague.

NOTA

- Use el compartimiento para el suavizante **SOLO** para suavizantes de telas líquidos.
- **NO** use un dosificador Downy Ball* en el compartimiento para el suavizante de telas de esta lavadora. No agregará el suavizante de telas en el momento correcto.
Use el compartimiento para el detergente.
(* Los nombres de las marcas son marcas comerciales de sus respectivos fabricantes).
- No utilice suavizantes líquidos que sean demasiado pegajosos ya que es posible que no se mezclen bien con el agua.

Mantenimiento de la lavadora

Limpieza del exterior

1. Cierre las llaves del agua después de finalizar el lavado del día. Esto cerrará el suministro de agua a la lavadora y evitará la improbable posibilidad de que se produzcan daños a causa del derrame de agua. Deje la tapa abierta para permitir que el interior de la lavadora se seque.
2. Use un paño suave para limpiar todo el detergente, el blanqueador u otros derrames a medida que ocurran.
3. Limpie lo siguiente tal como se recomienda:
Panel de control: Limpie con un paño suave y húmedo. No use polvos abrasivos ni paños de limpieza. No rocíe el panel directamente con limpiadores en aerosol.

Limpieza del interior

Limpie el interior de la lavadora periódicamente para eliminar todo vestigio de suciedad, polvo, olor, moho, hongos o bacterias que pueda permanecer en la lavadora como consecuencia del lavado de ropa.

El incumplimiento de estas instrucciones puede dar como resultado situaciones poco satisfactorias, tales como olor y/o manchas permanentes en la lavadora o en las prendas.

Se pueden retirar los depósitos de agua dura si fuera necesario. Use limpiadores con el rótulo "Washer safe" (Seguro para lavadoras).

Cómo guardar la lavadora

Las lavadoras se pueden dañar si no se extrae el agua de las mangueras y de los componentes internos antes de guardarlas. Prepare la lavadora para guardar de la siguiente manera:

1. Seleccione el ciclo Quick Wash (Lavado rápido) y agregue blanqueador al dosificador automático. Ejecute ese ciclo en la lavadora sin carga.
2. Cierre las llaves del agua y desconecte las mangueras de entrada.
3. Desenchufe la lavadora del tomacorriente y deje la tapa de la lavadora abierta para que circule aire por el tambor. Si la lavadora ha estado guardada en lugares con temperaturas por debajo del punto de congelación, deje transcurrir un tiempo para que los restos de agua se derritan antes de usarla.

Mantenimiento de la cubierta superior y del marco frontal

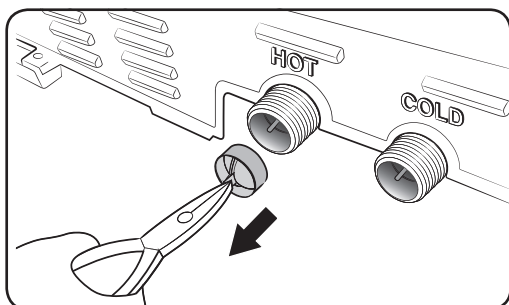
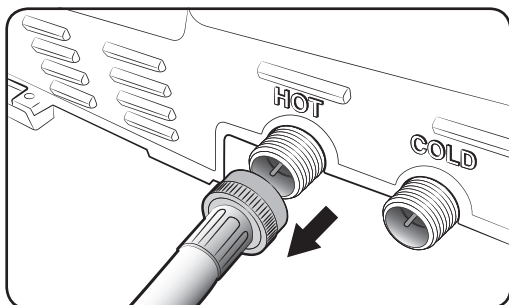
No coloque objetos pesados ni afilados ni tampoco el paquete de detergente sobre la lavadora. Pueden rayar o dañar la cubierta superior de la unidad.

NOTA

Ya que toda la lavadora tiene un acabado brillante, la superficie se puede rayar o dañar fácilmente. Evite rayar o dañar la superficie cuando use la lavadora.

Limpie el filtro de malla

Limpie el filtro de malla de la manguera de suministro de agua una o dos veces al año.



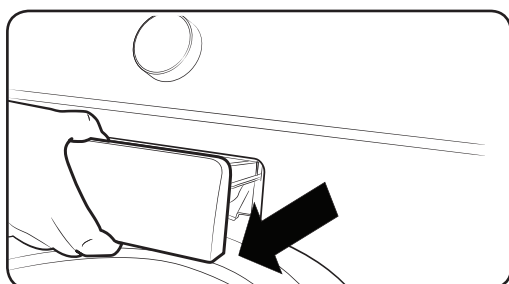
Posiblemente, el dosificador automático necesite una limpieza periódica debido a la acumulación de aditivos del lavado.

1. Apague la lavadora y desenchufe el cable de alimentación.
2. Cierre el grifo del agua.
3. Afloje la manguera de suministro de agua y desconéctela de la parte posterior de la lavadora. Cubra la manguera con un paño para evitar que salga el agua.
4. Utilice unas pinzas para extraer el filtro de malla de la válvula de entrada.
5. Sumerja profundamente el filtro de malla de tal manera que el conector roscado esté también sumergido.
6. Deje secar totalmente el filtro de malla a la sombra.
7. Vuelva a insertar el filtro de malla en la válvula de entrada y reconecte la manguera de agua a la válvula de entrada.
8. Abra el grifo del agua.

NOTA

Si el filtro de malla está obstruido, aparecerá en la pantalla el código de error "4C".

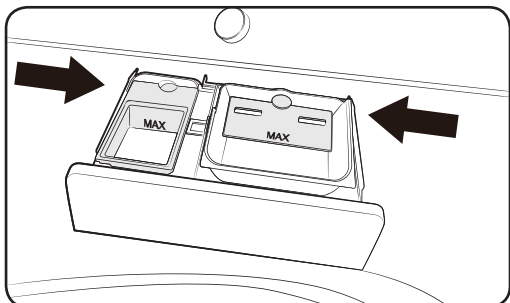
Limpieza de los dosificadores



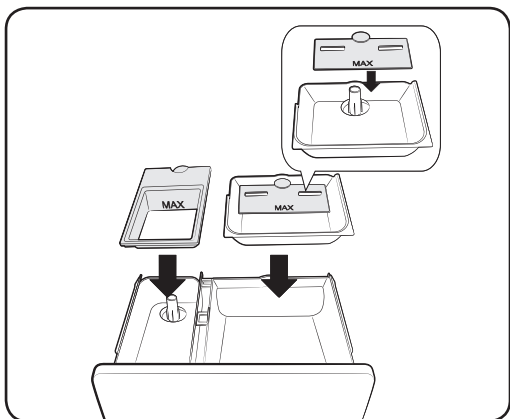
Posiblemente, el dosificador automático necesite una limpieza periódica debido a la acumulación de aditivos del lavado.

1. Jale el cajón del dosificador en línea recta hacia atrás hasta que se detenga.

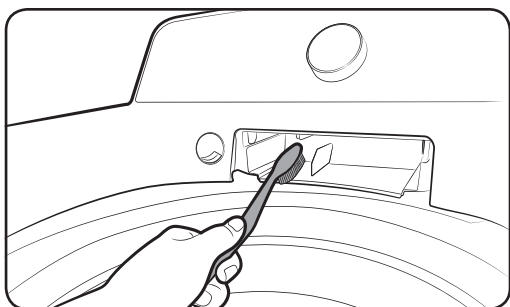
Mantenimiento de la lavadora



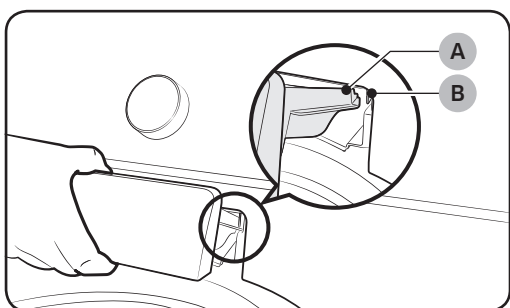
2. Presione los extremos de cada lado de la caja al mismo tiempo. Quite el cajón del dosificador cuando sienta que los extremos están presionados.



3. Retire los separadores de los 3 compartimentos. Enjuague los separadores y el cajón con agua caliente para eliminar cualquier resto de los productos de lavado que se pudieran haber acumulado.

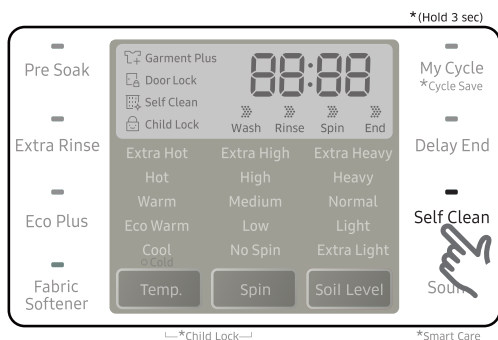


4. Para limpiar la apertura del cajón utilice un cepillo pequeño no metálico para limpiar el hueco. Elimine todos los residuos de las partes superior e inferior del hueco.



5. Coloque nuevamente los separadores en los compartimentos adecuados y vuelva a insertar el cajón. Para ello, coloque el **riel del cajón del dosificador (B)** sobre el **riel del compartimento (A)** (Incline el cajón del dosificador hacia abajo e insértelo). Luego empuje el cajón lentamente y con firmeza.

Autolimpieza



Self Clean (Autolimpieza) es un ciclo de autolimpieza que elimina el moho que puede producirse dentro de la lavadora.

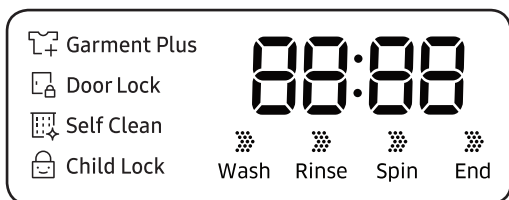
1. Presione **Power (Encender/Apagar)**.
2. Seleccione **Self Clean (Autolimpieza)**. Una vez seleccionado **Self Clean (Autolimpieza)** la única función que se puede configurar es Delay End (Termino Retardado).
3. Presione **Start/Pause (Inicio/Pausa)**. Comienza la autolimpieza.

⚠ PRECAUCIÓN

- Self Clean (Autolimpieza) le permite limpiar el tambor sin usar un agente limpiador.
- Nunca use Self Clean (Autolimpieza) cuando haya ropa en la lavadora. Esto puede dañar la ropa o causar un problema en la lavadora.

Mantenimiento de la lavadora

Función del indicador automático de Self Clean (Autolimpieza)



- Si se ilumina el indicador Self Clean (Autolimpieza) después de un lavado, indica que es necesaria la limpieza del tambor. En este caso, retire la ropa de la lavadora, enciéndala y limpie el tambor ejecutando Self Clean (Autolimpieza).
- Si no se ejecuta Self Clean (Autolimpieza), el indicador Self Clean (Autolimpieza) se apaga. No obstante, el indicador Self Clean (Autolimpieza) se encenderá nuevamente después de dos lavados. No ejecutar Self Clean (Autolimpieza) en este momento no causará ningún problema en la lavadora.
- Si bien el indicador Self Clean (Autolimpieza) se enciende una vez por mes aproximadamente, la frecuencia puede variar dependiendo de la cantidad de veces que se utilice la lavadora.

Solución de problemas

Verificaciones

Si tiene algún problema con la lavadora, primero consulte la tabla siguiente y pruebe las sugerencias.

Problema	Acción
No enciende.	<ul style="list-style-type: none">• Asegúrese de usar la potencia nominal para el producto.• Asegúrese de que el cable de alimentación esté completamente enchufado.• Revise el fusil o reinicie el interruptor de circuito.
No se enciende.	<ul style="list-style-type: none">• Asegúrese de que la puerta esté cerrada.• Asegúrese de que las canillas estén abiertas.• Asegúrese de presionar o tocar Start/Pause (Inicio/Pausa) para iniciar la lavadora.• Asegúrese de que la función Seguro para niños no esté activada.• Antes de que la lavadora comience a llenarse, se escuchará una serie de sonidos semejantes a un "clic" para controlar la traba de la puerta y que se efectúe un drenaje rápido.• ¿Estaba la puerta abierta durante el ciclo de centrifugado? Cierre la puerta y presione o toque el botón Inicio/Pausa para reanudar.• La máquina ingresa en modo de Pausa o está en un ciclo de remojo. Espere• Controle el fusible o reinicie el disyuntor.
No hay suministro de agua.	<ul style="list-style-type: none">• Asegúrese de presionar o tocar Start/Pause (Inicio/Pausa) después de iniciar el suministro de agua.• Asegúrese de que las canillas estén abiertas.• ¿Está obstruida la red del filtro en el conector de la manguera de suministro de agua? Limpie la red del filtro con un cepillo de dientes• ¿Está cortado el suministro de agua? Si el suministro de agua está cortado, cierre la canilla y apague la máquina.• Enderece las mangueras de suministro de agua.• Abra y cierre la puerta y, a continuación, luego presione el botón Start/Pause (Inicio/Pausa).• Si la presión del agua es baja, toma más tiempo iniciar el lavado.• Si el nivel de agua no es tan alto como se necesita o es menor de lo esperado, use el selector de nivel para ajustar el nivel de agua.

Solución de problemas

Problema	Acción
Después de un ciclo, queda detergente en el dispensador automático.	<ul style="list-style-type: none"> • Asegúrese de que la lavadora funcione con suficiente presión de agua. • Asegúrese de que el cajón de detergente esté insertado apropiadamente. • Sáquelo y limpie el cajón de detergente y luego intente de nuevo.
Vibra excesivamente o hace ruido.	<ul style="list-style-type: none"> • Compruebe que la lavadora esté ubicada sobre una superficie nivelada. Si el piso no está nivelado, use las patas niveladoras para ajustar la máquina lavadora. • Asegúrese de que la lavadora no esté en contacto con ningún otro objeto. • Verifique que la carga de ropa sea equilibrada. • Asegúrese de que la ropa esté distribuida en forma pareja en la lavadora. Distribuya la ropa en forma pareja y empiece de nuevo. • Asegúrese de que el espacio alrededor de la lavadora esté libre de objetos. • Es normal que se produzca un sonido durante el funcionamiento. • Los objetos tales como monedas pueden causar ruido. Quite estos objetos de la lavadora después de que se complete el lavado.
Se detiene.	<ul style="list-style-type: none"> • Enchufe el cable de alimentación a un tomacorriente que funcione. • Controle el fusible o reinicie el disyuntor. • Cierre la puerta y presione o toque Start/Pause (Inicio/Pausa) para iniciar la lavadora. Por su seguridad, la lavadora no centrifugará salvo que la tapa esté cerrada. • Antes de que la lavadora comience a llenarse, se escuchará una serie de sonidos semejantes a un "clic" para controlar la traba de la puerta y que se efectúe un drenaje rápido. • Se puede producir una pausa o un período de remojo en el ciclo. Espere un instante para ver si la lavadora comienza a funcionar. • Asegúrese de que los filtros en las mangueras de entrada en las canillas no están obstruidas. Periódicamente limpie los filtros • Este problema ocurre temporalmente debido a las bajas tensiones, y se solucionará cuando se recupere la potencia.

Problema	Acción
Se llena con agua a una temperatura incorrecta.	<ul style="list-style-type: none"> • Abra completamente ambas canillas de agua. • Asegúrese de que la selección de temperatura sea la correcta. • Asegúrese de que las mangueras estén conectadas a las llaves correctas. Purgue las cañerías. • Desconecte las mangueras y limpie los filtros. El filtro de la manguera puede estar tapado. • A medida que la lavadora se llena, la temperatura del agua puede variar debido a que la función automática de control de la temperatura controla la temperatura del agua que ingresa. Esto es normal. • Mientras la lavadora se llena, es posible que observe que por el dosificador pasa sólo agua caliente y/o sólo agua fría cuando se seleccionan las temperaturas de lavado fría o tibia. Ésta es una función normal que cumple el control de temperatura automático dado que la lavadora determina la temperatura del agua.
La puerta (tapa) está trabada o no se abre.	<ul style="list-style-type: none"> • Mientras funciona la lavadora, presione o toque Start/Pause (Inicio/Pausa) para detener la lavadora. • Puede llevar algunos minutos que el mecanismo de cierre de la puerta se desconecte.
No drena y/o no centrifuga.	<ul style="list-style-type: none"> • Controle el fusible o reinicie el disyuntor. • Asegúrese de que la tensión eléctrica es normal • Asegúrese de que la lavadora esté enchufada. • Asegúrese de que la manguera de drenaje apunte hacia abajo.. (Solo modelos de drenaje natural) • Asegúrese de que la manguera de drenaje no esté obstruida. • Asegúrese de que la manguera de drenaje no esté torcida. • Enderece las manguera de drenaje. Si existe alguna restricción en cuanto al drenaje, comuníquese con el servicio técnico. • Cierre la puerta y presione o toque el botón Start/Pause (Inicio/Pausa) para reanudar. Por su seguridad, la lavadora no centrifugará salvo que la tapa esté cerrada.

Solución de problemas

Problema	Acción
La carga está húmeda al final del ciclo.	<ul style="list-style-type: none"> • Use la velocidad de centrifugado High (Alto) o Extra High (Extra alto). (Solo modelo aplicable) • Use detergente de alta eficacia (HE) para reducir el exceso de espuma. • La carga es demasiado pequeña. Las cargas muy pequeñas (una o dos prendas) se pueden desequilibrar y no centrifugarse completamente.
Pierde agua.	<ul style="list-style-type: none"> • Asegúrese de que todas las conexiones de las mangueras estén ajustadas. • Asegúrese de que el tapón de goma de la manguera de suministro de agua esté en la posición correcta. Ajústelo de nuevo. • Asegúrese de que el extremo de la manguera de drenaje esté correctamente conectado y asegurado al sistema de drenaje. • Evite sobrecargar la lavadora. • Use un detergente de alta eficacia (HE) para evitar la formación de espuma en exceso. • Asegúrese de que la manguera de suministro no esté torcida. • Si el suministro de agua es demasiado fuerte, se puede derramar agua. Cierre un poco la canilla • Asegúrese de que no la canilla no pierda agua.. Si es así, repare la canilla.
Espuma en exceso.	<ul style="list-style-type: none"> • Use un detergente de alta eficacia (HE) para evitar la formación de espuma en exceso. • Reduzca la cantidad de detergente para el agua blanda, las cargas pequeñas o las cargas ligeramente sucias. • NO se recomienda un detergente de baja eficacia.
La canasta de centrifugado o la manguera de suministro/drenaje están congeladas.	<ul style="list-style-type: none"> • Use agua caliente para desconectar la manguera de suministro o de drenaje. Sumérgalas en agua caliente. • Llene la canasta de centrifugado con agua caliente y luego espere unos 10 minutos. • Ponga una toalla caliente en la conexión de la manguera de drenaje.. • Vuelva a conectar la manguera de suministro y la de drenaje, y verifique que el agua se suministra correctamente.



Problema	Acción
El agua desagota inmediatamente.	<ul style="list-style-type: none"> • Asegúrese de que la manguera de drenaje no esté obstruida, y está colgada sobre el gancho de la manguera de drenaje. Llene la canasta de centrifugado con agua hasta la mitad e intente centrifugar de nuevo. • Eleve el extremo de la manguera de drenaje para evitar que se drene el agua. Llene la canasta de centrifugado con agua hasta la mitad y centrifugue de nuevo después de liberar la manguera de drenaje. • Asegúrese de que la manguera de drenaje esté instalada correctamente. Consulte la sección de instalación de este manual del usuario y ajuste la posición de la manguera de drenaje según las instrucciones.
Hay manchas en la ropa.	<ul style="list-style-type: none"> • Seleccione el ciclo adecuado para las prendas. Use el ciclo Heavy Duty (Acción fuerte) para prendas manchadas. • Agregue la cantidad de detergente que se recomienda en las instrucciones del fabricante. • Limpie regularmente el filtro mágico (si se provee con la lavadora).
Tiene olores.	<ul style="list-style-type: none"> • El exceso de espuma se acumula en los recovecos y puede causar malos olores. • Ejecute ciclos de limpieza para limpiar la máquina periódicamente. • Seque el interior de la lavadora después de que haya terminado el ciclo.

Si el problema persiste, comuníquese con un centro de servicio local de Samsung.

Códigos de información


Pueden aparecer códigos de información para ayudarle a comprender qué ocurre con la lavadora.

Solución de problemas

No	Código	Acción
1	1C	<p>El sensor de Nivel de Agua no está funcionando bien.</p> <ul style="list-style-type: none"> • Revise el arnés de cables del Sensor del nivel de agua. • Si permanece el código de información, contacte con un centro de atención al cliente. <p> NOTA</p> <p>Cuando en la pantalla se muestra “1C”, la lavadora se drena durante 3 minutos. Durante este tiempo, el botón Power (Encender/Apagar) no funciona.</p>
2	3C	<p>Revise el funcionamiento del motor.</p> <ul style="list-style-type: none"> • Pruebe reiniciar el ciclo. • Si el problema continúa, llame al servicio técnico.
3	4C	<p>No hay suministro de agua.</p> <ul style="list-style-type: none"> • Asegúrese de que las canillas estén abiertas. • Compruebe que las mangueras de agua no estén obstruidas. • Asegúrese de que las canillas estén congeladas. • Asegúrese de que la lavadora funcione con suficiente presión de agua. • Asegúrese de que la canilla de agua fría esté conectada apropiadamente. • Limpie el filtro de red ya que puede estar obstruido. <p> NOTA</p> <p>Cuando en la pantalla se muestra “4C”, la lavadora se drena durante 3 minutos. Durante este tiempo, el botón Power (Encender/Apagar) no funciona.</p>
4	4C2	<ul style="list-style-type: none"> • Asegúrese de que la manguera de suministro de agua fría esté conectada firmemente a la canilla de agua fría. <p>Si está conectada a la canilla de agua caliente, puede que se deforme la ropa con algunos ciclos.</p>

No	Código	Acción
5	5C	<p>No hay desagote de agua.</p> <ul style="list-style-type: none"> • Asegúrese de que la manguera de drenaje no esté congelada ni obstruida. • Asegúrese de que la manguera de drenaje esté posicionada correctamente, dependiendo del tipo de conexión. • Limpie el filtro de basura ya que puede estar obstruido. • Asegúrese de que la manguera de drenaje esté derecha todo el camino al sistema de desagote. • Si permanece el código de información, contacte con un centro de atención al cliente.
6	9C1	<p>Hay que verificar el control electrónico (Error de sobrecarga)</p> <ul style="list-style-type: none"> • Verifique la PCB (placa de circuito impresa) y el arnés de cables. • Verifique si el suministro de energía funciona adecuadamente. • Si permanece el código de información, contacte con un centro de atención al cliente.
7	9C2	<p>Se detectó tensión baja</p> <ul style="list-style-type: none"> • Verifique si el cable de alimentación está enchufado. • Si permanece el código de información, contacte con un centro de atención al cliente.
8	AC6	<p>Problema de comunicación de inversor</p> <ul style="list-style-type: none"> • Revise la PCB inversa y el arnés del cable. • Si permanece el código de información, contacte con un centro de atención al cliente.
9	dC	<p>Funcionamiento de la lavadora con la puerta abierta</p> <ul style="list-style-type: none"> • Asegúrese de que la puerta esté adecuadamente cerrada. • Asegúrese de que no haya ropa atrapada en la puerta.
10	HC	<p>Verificación de calefacción de alta temperatura</p> <ul style="list-style-type: none"> • Si permanece el código de información, contacte con un centro de atención al cliente.

Solución de problemas

No	Código	Acción
11	LC	<p>Revise la manguera de drenaje</p> <ul style="list-style-type: none"> • Asegúrese de que el extremo de la manguera de drenaje esté colocado en el piso. • Asegúrese de que la manguera de drenaje no esté obstruida. • Si permanece el código de información, contacte con un centro de atención al cliente. <p> NOTA</p> <p>Cuando en la pantalla se muestra “LC”, la lavadora se drena durante 3 minutos. Durante este tiempo, el botón Power (Encender/Apagar) no funciona.</p>
12	OC	<p>Se derrama el agua</p> <ul style="list-style-type: none"> • Reinicie después del centrifugado. • Si el código de información permanece en la pantalla, contacte un centro de atención al cliente de Samsung local.
13	PC	<p>Cuando no es posible detectar la posición del embrague.</p> <ul style="list-style-type: none"> • Si permanece el código de información, contacte con un centro de atención al cliente.
14	PC1	<p>Después de que se detecta la posición del embrague, si la señal del embrague de efecto Hall es equivocada, ocurre un error.</p> <ul style="list-style-type: none"> • Si permanece el código de información, contacte con un centro de atención al cliente.
15	Ub	<p>El centrifugado no funciona</p> <ul style="list-style-type: none"> • Asegúrese de que la ropa esté distribuida en forma pareja. • Asegúrese de que la lavadora esté en una superficie plana, estable. • Redistribuya la carga. Si solo se necesita lavar un elemento como por ejemplo una bata o un par de jeans, el centrifugado final puede no ser satisfactorio, y aparecerá un mensaje de revisión “Ub” en la pantalla.
16	Ur	<p>Additional rinsing (Enjuague adicional).</p> <ul style="list-style-type: none"> • Mostrar enjuague adicional al detectar desequilibrio. • Método de liberación de la pantalla. <p>Cualquier entrada de tecla.</p>





Para los códigos que no figuran más arriba, llame al 1-800-726-7864 (1-800-SAMSUNG).

Especificaciones

Tabla de indicaciones sobre telas

Los siguientes símbolos ofrecen indicaciones acerca de las prendas. La etiqueta de indicaciones de la prenda incluye símbolos para secado, blanqueado, secado y planchado, o limpieza en seco cuando son necesarios. El uso de símbolos garantiza la consistencia entre los fabricantes textiles de artículos nacionales e importados. Siga las indicaciones de la etiqueta para optimizar la vida útil de la prenda y reducir los problemas del lavado.

Ciclo de lavado

	Normal
	Plancha permanente/ Antiarrugas/Control de arrugas
	Prendas suaves/delicadas
	Lavado a mano

Temperatura del agua




...	Caliente
..	Tibia
.	Fría

NOTA



Representa las temperaturas del agua del lavado apropiadas para diversas prendas. El rango de temperatura para Caliente es de 105° a 125 °F / 41° a 52 °C, para Tibia es de 85° a 105 °F / 29° a 41 °C y para Fría es de 60° a 85 °F / 16° a 29 °C. (La temperatura del agua del lavado debe alcanzar un mínimo de 60 °F / 16 °C para que se active el detergente y se logre un lavado eficaz).

Posiblemente, la lavadora no garantice estas temperaturas porque las temperaturas reales del agua que ingresa en la lavadora dependen de la configuración del calentador de agua y de las temperaturas del suministro de agua regional. Por ejemplo, el agua fría que ingresa en las casas de los Estados del Norte durante el invierno puede ser de 40 °F / 4 °C, que es demasiado fría para que se logre un lavado eficaz. En este caso, será preciso ajustar la temperatura del agua seleccionando la opción de temperatura cálida, agregando algo de agua caliente hasta la línea MAX FILL (Llenado máximo) o usando la opción de calentamiento de la lavadora, si está disponible.

Blanqueador

	Cualquier blanqueador (cuando sea necesario)
	Solo blanqueador sin cloro (protección del color) (si es necesario)
	Secar en secadora

Normal

	Plancha permanente/ Antiarrugas/Control de arrugas
	Prendas suaves/delicadas

Especificaciones

Instrucciones especiales

	Secar colgado/tender
	Colgar para que escurra
	Secar en posición horizontal

Secado con calor

	Alta
	Media
	Baja
	Cualquier calor
	Sin calor/aire

Temperaturas de secado con plancha o vapor

	Alta
	Media
	Baja

Símbolos de advertencia para el lavado

	No lavar
	No retorcer
	No usar blanqueador
	No secar en secadora
	Sin vapor (agregado a la plancha)
	No planchar

Limpiar en seco

	Limpiar en seco
	No limpiar en seco
	Secar colgado/tender
	Colgar para que escurra
	Secar en posición horizontal

Ayuda al medioambiente

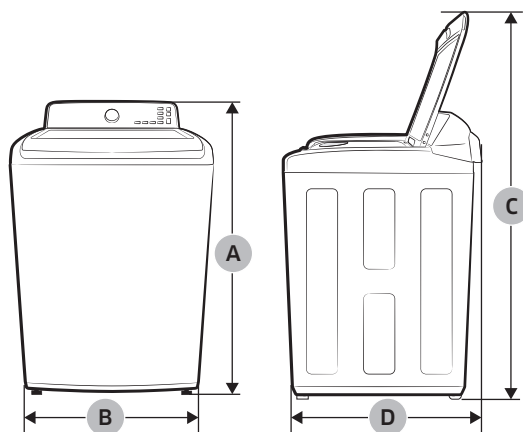
- Esta lavadora se fabrica con materiales reciclables. Si decide deshacerse de ella, siga la normativa local relacionada con la eliminación de desechos. Corte el cable de alimentación para que el electrodoméstico no pueda conectarse a una fuente de alimentación. Quite la tapa para que los animales y los niños pequeños no puedan quedar atrapados dentro de la lavadora.
- No utilice cantidades de detergente mayores a las recomendadas por el fabricante del detergente.
- Utilice productos quitamanchas y blanqueadores antes del ciclo de lavado y solo cuando sea necesario.
- Ahorre agua y electricidad utilizando solo la capacidad total de la lavadora (la cantidad exacta depende del programa que se utilice).

Declaración de conformidad

Este electrodoméstico cumple con la norma UL2157.

Especificaciones

Hoja de especificaciones



Tipo		Lavadora de carga superior	
Nombre del modelo		WA52M7750A*/ WA52M7755A*	
Dimensiones (pulgadas (cm))	A. Altura	46.0 (116.8)	
	B. Ancho	27.0 (68.6)	
	C. Altura con la tapa abierta	59.8 (152.0)	
	D. Profundidad	29.3 (74.4)	
Presión de agua (psi (kPa))		20 - 116 (137 - 800)	
Peso NETO (kg (lb))		67 (147.7)	
Revoluciones del centrifugado		800 rpm	
Potencia del calentador	Lavado	120 V	700 W
	Centrifugado	120 V	400 W
	Drenaje	120 V	80 W

Tabla de ciclos

Use esta tabla para configurar el mejor ciclo y las opciones para su lavadora.
WA52M7750A*

NOTA

Configuración	Temp. (Temperatura)	Spin (Centrifugar)	Soil Level (Nivel de Suciedad)
●: configurado en fábrica	EH: Extra Hot (Extra Caliente)	EH: Extra High (Extra Rápido)	EH: Extra Heavy (Extra Pesado)
●: se puede seleccionar	H: Hot (Caliente)	H: High (Alto)	H: Heavy (Pesado)
	W: Warm (Tibia)	M: Medium (Medio)	N: Normal (Normal)
	C: Cool (Fría)	L: Low (Bajo)	L: Light (Ligero)
	CD: Cold (Muy Fría)	NS: No Spin (Sin Centrifugar)	EL: Extra Light (Extra Ligero)

Ciclo	Temp. (Temperatura)						Spin (Centrifugar)					Soil Level (Nivel de Suciedad)				
	EH	H	W	EW	C	CD	EH	H	M	L	NS	EH	H	N	L	EL
NORMAL	●	●	●	●	●	●	●	●	●	●	●	●	●	●	●	●
HEAVY DUTY (ACCIÓN FUERTE)		●	●	●	●	●	●	●	●	●	●	●	●	●	●	●
DEEP WASH (LAVADO PROFUNDO)		●	●	●	●	●	●	●	●	●	●	●	●	●	●	●
DELICATES (DELICADOS)			●	●	●	●			●	●	●					●
BRILLIANT WHITES (BLANCOS BRILLANTES)		●	●	●	●	●	●	●	●	●	●	●	●	●	●	●
BEDDING/WATERPROOF (ROPA DE CAMA/PRENDAS IMPERMEABLES)		●	●	●	●	●		●	●	●	●	●	●	●	●	●
PERM PRESS (PLANCHA PERMANENTE)		●	●	●	●	●	●	●	●	●	●	●	●	●	●	●
QUICK WASH (LAVADO RÁPIDO)		●	●	●	●	●	●	●	●	●	●	●	●	●	●	●
STEAM SANITIZE (DESINFECCIÓN CON VAPOR)	●						●	●	●	●	●	●	●	●	●	●
RINSE+SPIN (ENJUAGUE + CENTRIFUGADO)							●	●	●	●	●					
SPIN (CENTRIFUGADO)							●	●	●	●	●					
ACTIVE WEAR (ROPA DEPORTIVA)			●	●	●	●		●	●	●	●			●	●	●
COLORS/DARKS (ROPA DE COLOR/ OSCURA)			●	●	●	●	●	●	●	●	●	●	●	●	●	●
SELF CLEAN (AUTOLIMPIEZA)		●						●								

Especificaciones

Ciclo	Options					
	Pre Soak (Remojo)	Extra Rinse (Extra Enjuague)	Eco Plus	Fabric Softener (Suavizador de telas)	My Cycle (Mi Ciclo)	Delay End (Final Retardado)
NORMAL	●	●	●	●	●	●
HEAVY DUTY (ACCIÓN FUERTE)	●	●	●	●	●	●
DEEP WASH (LAVADO PROFUNDO)	●	●	●	●	●	●
DELICATES (DELICADOS)		●		●	●	●
BRILLIANT WHITES (BLANCOS BRILLANTES)	●	●	●	●	●	●
BEDDING/WATERPROOF (ROPA DE CAMA/ PRENDAS IMPERMEABLES)	●	●		●	●	●
PERM PRESS (PLANCHA PERMANENTE)	●	●	●	●	●	●
QUICK WASH (LAVADO RÁPIDO)		●		●	●	●
STEAM SANITIZE (DESINFECCIÓN CON VAPOR)	●	●		●	●	●
RINSE+SPIN (ENJUAGUE + CENTRIFUGADO)		●		●	●	●
SPIN (CENTRIFUGADO)					●	●
ACTIVE WEAR (ROPA DEPORTIVA)	●	●	●	●	●	●
COLORS/DARKS (ROPA DE COLOR/ OSCURA)	●	●	●	●	●	●
SELF CLEAN (AUTOLIMPIEZA)					●	●

Use esta tabla para configurar el mejor ciclo y las opciones para su lavadora.

WA52M7755A*

NOTA

Configuración	Temp. (Temperatura)	Spin (Centrifugar)	Soil Level (Nivel de Suciedad)
●: configurado en fábrica	EH: Extra Hot (Extra Caliente)	EH: Extra High (Extra Rápido)	EH: Extra Heavy (Extra Pesado)
●: se puede seleccionar	H: Hot (Caliente)	H: High (Alto)	H: Heavy (Pesado)
	W: Warm (Tibia)	M: Medium (Medio)	N: Normal (Normal)
	C: Cool (Fría)	L: Low (Bajo)	L: Light (Ligero)
	CD: Cold (Muy Fría)	NS: No Spin (Sin Centrifugar)	EL: Extra Light (Extra Ligero)

Ciclo	Temp. (Temperatura)						Spin (Centrifugar)					Soil Level (Nivel de Suciedad)				
	EH	H	W	EW	C	CD	EH	H	M	L	NS	EH	H	N	L	EL
NORMAL	●	●	●	●	●	●	●	●	●	●	●	●	●	●	●	●
HEAVY DUTY (ACCIÓN FUERTE)		●	●	●	●	●	●	●	●	●	●	●	●	●	●	●
SUPER SPEED (SÚPER VELOCIDAD)		●	●	●	●	●	●	●	●	●	●	●	●	●	●	●
DEEP WASH (LAVADO PROFUNDO)		●	●	●	●	●	●	●	●	●	●	●	●	●	●	●
DELICATES (DELICADOS)			●	●	●	●		●	●	●	●					●
BRILLIANT WHITES (BLANCOS BRILLANTES)		●	●	●	●	●	●	●	●	●	●	●	●	●	●	●
BEDDING/ WATERPROOF (ROPA DE CAMA/ PRENDAS IMPERMEABLES)		●	●	●	●	●		●	●	●	●	●	●	●	●	●
PERM PRESS (PLANCHA PERMANENTE)		●	●	●	●	●	●	●	●	●	●	●	●	●	●	●
QUICK WASH (LAVADO RÁPIDO)		●	●	●	●	●	●	●	●	●	●	●	●	●	●	●
STEAM SANITIZE (DESINFECCIÓN CON VAPOR)	●						●	●	●	●	●	●	●	●	●	●
RINSE+SPIN (ENJUAGUE + CENTRIFUGADO)							●	●	●	●	●					
SPIN (CENTRIFUGADO)							●	●	●	●	●					
ACTIVE WEAR (ROPA DEPORTIVA)			●	●	●	●		●	●	●	●			●	●	●
SELF CLEAN (AUTOLIMPIEZA)		●							●							

Especificaciones

Ciclo	Options					
	Pre Soak (Remojo)	Extra Rinse (Extra Enjuague)	Eco Plus	Fabric Softener (Suavizador de telas)	My Cycle (Mi Ciclo)	Delay End (Final Retardado)
NORMAL	●	●	●	●	●	●
HEAVY DUTY (ACCIÓN FUERTE)	●	●	●	●	●	●
SUPER SPEED (SÚPER VELOCIDAD)		●		●	●	●
DEEP WASH (LAVADO PROFUNDO)	●	●	●	●	●	●
DELICATES (DELICADOS)		●		●	●	●
BRILLIANT WHITES (BLANCOS BRILLANTES)	●	●	●	●	●	●
BEDDING/WATERPROOF (ROPA DE CAMA/PRENDAS IMPERMEABLES)	●	●		●	●	●
PERM PRESS (PLANCHA PERMANENTE)	●	●	●	●	●	●
QUICK WASH (LAVADO RÁPIDO)		●		●	●	●
STEAM SANITIZE (DESINFECCIÓN CON VAPOR)	●	●		●	●	●
RINSE+SPIN (ENJUAGUE + CENTRIFUGADO)		●		●	●	●
SPIN (CENTRIFUGADO)					●	●
ACTIVE WEAR (ROPA DEPORTIVA)	●	●	●	●	●	●
SELF CLEAN (AUTOLIMPIEZA)					●	●

Garantía (Estados Unidos)

LAVADORA SAMSUNG

GARANTÍA LIMITADA PARA EL COMPRADOR ORIGINAL

El presente producto de la marca SAMSUNG, tal como lo provee y distribuye SAMSUNG ELECTRONICS AMERICA, INC. (SAMSUNG) y lo entrega como nuevo, en su caja de cartón original al comprador o consumidor original, está garantizado por SAMSUNG contra defectos de fabricación de los materiales y la mano de obra durante el período limitado de la garantía de:

Un (1) año para las piezas y la mano de obra. Tres (3) años para el tambor inoxidable (solo el repuesto). Diez (10) años para el motor DD (solo repuestos).

La presente garantía limitada comienza en la fecha original de compra y es válida únicamente para productos comprados y usados en Estados Unidos. Para recibir el servicio técnico de la garantía, el comprador debe comunicarse con SAMSUNG con el fin de que se determine el problema y los procedimientos del servicio. El servicio técnico de la garantía solo puede ser prestado por un centro de servicio técnico autorizado de SAMSUNG. Se debe presentar la factura de compra original como prueba de compra a SAMSUNG o al servicio técnico autorizado de SAMSUNG. SAMSUNG prestará servicio técnico a domicilio durante el período de la garantía sin costo, sujeto a la disponibilidad dentro de los Estados Unidos contiguos. El servicio técnico a domicilio no está disponible en todas las áreas.

Para recibir el servicio técnico a domicilio, el producto no debe presentar obstrucciones y debe ser accesible para el agente del servicio técnico. Si el servicio técnico no está disponible, SAMSUNG puede optar por transportar el producto hasta y desde el servicio técnico autorizado.

Garantía (Estados Unidos)

SAMSUNG reparará, reemplazará el producto u ofrecerá un reembolso a su criterio y sin cargo adicional, tal como se establece en la presente garantía, con piezas o productos nuevos o reacondicionados si se verifica que es defectuoso durante el período limitado de la garantía especificado anteriormente. Todas las piezas y los productos reemplazados pasan a ser propiedad de SAMSUNG y deben ser devueltos a SAMSUNG. Las piezas y los productos reemplazados asumen la garantía original que resta, o noventa (90) días, el período que sea el más prolongado. La presente garantía limitada cubre defectos de fabricación de los materiales y la mano de obra encontrados durante el uso normal y doméstico de este producto y no será válida para lo siguiente: daños que ocurran durante el envío; entrega e instalación; aplicaciones y usos para los cuales el presente producto no fue destinado; números de serie o de producto alterados; daño cosmético o de acabado exterior; accidentes, abuso, descuido, incendio, inundación, caída de rayos, u otros casos fortuitos o de fuerza mayor; uso de productos, equipos, sistemas, utilidades, servicios, piezas, suministros, accesorios, aplicaciones, instalaciones, reparaciones, cableado externo o conectores no provistos ni autorizados por SAMSUNG que dañen este producto o que acarreen problemas en el servicio; voltaje de la línea eléctrica incorrecto, fluctuaciones y sobrevoltaje; ajustes del cliente e incumplimiento de lo establecido en el manual de instrucciones, instrucciones de mantenimiento y ambientales que están cubiertas y recomendadas en el manual de instrucciones; traslado y reinstalación del producto; problemas causados por plagas. La presente garantía limitada no cubre problemas derivados de la corriente, el voltaje o el suministro eléctrico incorrectos, las bombillas de luz, los fusibles de la casa, el cableado de la casa, el costo del servicio técnico para recibir instrucciones o corregir errores en la instalación. SAMSUNG no garantiza el funcionamiento ininterrumpido o sin errores del producto.

SALVO LO ESTABLECIDO EN LA PRESENTE GARANTÍA, NO EXISTEN GARANTÍAS SOBRE EL PRESENTE PRODUCTO, YA SEAN EXPRESAS O TÁCITAS, Y SAMSUNG DESCONOCE TODAS LAS GARANTÍAS QUE INCLUYEN, AUNQUE NO EN CARÁCTER TAXATIVO, CUALQUIER GARANTÍA TÁCITA DE QUE EL PRODUCTO SE ENCUENTRA EN CONDICIONES APTAS PARA LA VENTA, DE DEFRAUDACIÓN DE DERECHOS O DE QUE EL PRODUCTO SE ADECUA A LOS FINES ESPECÍFICOS PARA LOS CUALES SE ADQUIERE.

NINGÚN AVAL O GARANTÍA OTORGADOS POR PERSONA, COMPAÑÍA O CORPORACIÓN ALGUNA CON RESPECTO AL PRESENTE PRODUCTO REVESTIRÁ CARÁCTER VINCULANTE PARA SAMSUNG. SAMSUNG NO SERÁ RESPONSABLE POR PÉRDIDAS DE INGRESOS O LUCRO CESANTE, IMPOSIBILIDAD DE GENERAR AHORROS U OBTENER OTROS BENEFICIOS, O CUALQUIER DAÑO DERIVADO DE CIRCUNSTANCIAS ESPECIALES, DAÑO IMPREVISTO O DERIVADO CAUSADO POR EL USO, USO INCORRECTO, O INCAPACIDAD PARA USAR EL PRESENTE PRODUCTO, INDEPENDIEMENTE DE LA TEORÍA LEGAL EN QUE SE FUNDE EL RECLAMO Y AUN CUANDO SE LE HAYA NOTIFICADO A SAMSUNG DE LA POSIBILIDAD DE TALES DAÑOS.

NINGÚN RESARCIMIENTO DE NINGUNA ÍNDOLE CONTRA SAMSUNG SUPERARÁ EL MONTO DE COMPRA DEL PRODUCTO VENDIDO POR SAMSUNG Y CAUSANTE DEL PRESUNTO DAÑO. SIN LIMITAR LO PRECEDENTE, EL COMPRADOR ASUME TODO EL RIESGO Y LA RESPONSABILIDAD POR PÉRDIDA, DAÑO O LESIÓN AL COMPRADOR Y A LOS BIENES DEL COMPRADOR Y A TERCEROS Y A SUS BIENES DERIVADOS DEL USO, USO INCORRECTO O INCAPACIDAD PARA USAR EL PRESENTE PRODUCTO. LA PRESENTE GARANTÍA LIMITADA NO SE EXTENDERÁ A NINGUNA PERSONA DISTINTA DEL COMPRADOR ORIGINAL DEL PRESENTE PRODUCTO, ES INTRANSFERIBLE Y ESTABLECE SU EXCLUSIVA REPARACIÓN.

Algunos estados no permiten limitaciones en cuanto al plazo de una garantía implícita, o la exclusión o limitación de daños imprevistos o derivados, por lo tanto las limitaciones o exclusiones antedichas pueden no aplicarse en su caso. Esta garantía le otorga derechos específicos, y además puede tener otros derechos que varían según el Estado en el que se encuentre.

Para recibir servicio técnico de garantía, comuníquese con SAMSUNG a:

Samsung Electronics America, Inc.

85 Challenger Road

Ridgefield Park, NJ 07660

1-800-SAMSUNG (726-7864)

www.samsung.com/us/support

Las visitas del personal de servicio técnico para explicar funciones, mantenimiento o instalación no están cubiertas por la garantía.

Póngase en contacto con su agente del centro de llamadas Samsung para que le asesore.

Garantía (CANADÁ)

LAVADORA SAMSUNG

GARANTÍA LIMITADA PARA EL COMPRADOR ORIGINAL

El presente producto de la marca SAMSUNG, tal como lo provee y distribuye SAMSUNG ELECTRONICS CANADA, INC. (SAMSUNG) y lo entrega como nuevo, en su caja de cartón original al comprador o consumidor original, está garantizado por SAMSUNG contra defectos de fabricación de los materiales y la mano de obra durante el período limitado de la garantía de:

Un (1) año para las piezas y la mano de obra. Diez (10) años para el motor DD (solo repuestos).

La presente garantía limitada comienza en la fecha original de compra y es válida únicamente para productos comprados y usados en Canadá. Para recibir el servicio técnico de la garantía, el comprador debe comunicarse con SAMSUNG con el fin de que se determine el problema y los procedimientos del servicio. El servicio técnico de la garantía solo puede ser prestado por un centro de servicio técnico autorizado de SAMSUNG. Se debe presentar la factura de compra original como prueba de compra a SAMSUNG o al servicio técnico autorizado de SAMSUNG. SAMSUNG prestará servicio técnico a domicilio durante el período de la garantía sin costo, sujeto a la disponibilidad dentro de Canadá. El servicio técnico a domicilio no está disponible en todas las áreas.

Para recibir el servicio técnico a domicilio, el producto no debe presentar obstrucciones y debe ser accesible para el agente del servicio técnico. Si el servicio técnico no está disponible, SAMSUNG puede optar por transportar el producto hasta y desde el servicio técnico autorizado.

SAMSUNG reparará, reemplazará el producto u ofrecerá un reembolso a su criterio y sin cargo adicional, tal como se establece en la presente garantía, con piezas o productos nuevos o reacondicionados si se verifica que es defectuoso durante el período limitado de la garantía especificado anteriormente. Todas las piezas y los productos reemplazados pasan a ser propiedad de SAMSUNG y deben ser devueltos a SAMSUNG. Las piezas y los productos reemplazados asumen la garantía original que resta, o noventa (90) días, el período que sea el más prolongado. La presente garantía limitada cubre defectos de fabricación de los materiales y la mano de obra encontrados durante el uso normal y doméstico de este producto y no será válida para lo siguiente: daños que ocurran durante el envío; entrega e instalación; aplicaciones y usos para los cuales el presente producto no fue destinado; números de serie o de producto alterados; daño cosmético o de acabado exterior; accidentes, abuso, descuido, incendio, inundación, caída de rayos, u otros casos fortuitos o de fuerza mayor; uso de productos, equipos, sistemas, utilidades, servicios, piezas, suministros, accesorios, aplicaciones, instalaciones, reparaciones, cableado externo o conectores no provistos ni autorizados por SAMSUNG que dañen este producto o que acarreen problemas en el servicio; voltaje de la línea eléctrica incorrecto, fluctuaciones y sobrevoltaje; ajustes del cliente e incumplimiento de lo establecido en el manual de instrucciones, instrucciones de mantenimiento y ambientales que están cubiertas y recomendadas en el manual de instrucciones; traslado y reinstalación del producto; problemas causados por plagas.

La presente garantía limitada no cubre problemas derivados de la corriente, el voltaje o el suministro eléctrico incorrectos, las bombillas de luz, los fusibles de la casa, el cableado de la casa, el costo del servicio técnico para recibir instrucciones o corregir errores en la instalación. SAMSUNG no garantiza el funcionamiento ininterrumpido o sin errores del producto.

SALVO LO ESTABLECIDO EN LA PRESENTE GARANTÍA, NO EXISTEN GARANTÍAS SOBRE EL PRESENTE PRODUCTO, YA SEAN EXPRESAS O TÁCITAS, Y SAMSUNG DESCONOCE TODAS LAS GARANTÍAS QUE INCLUYEN, AUNQUE NO EN CARÁCTER TAXATIVO, CUALQUIER GARANTÍA TÁCITA DE QUE EL PRODUCTO SE ENCUENTRA EN CONDICIONES APTAS PARA LA VENTA, DE DEFRAUDACIÓN DE DERECHOS O DE QUE EL PRODUCTO SE ADECUA A LOS FINES ESPECÍFICOS PARA LOS CUALES SE ADQUIERE.

Garantía (CANADÁ)

NINGÚN AVAL O GARANTÍA OTORGADOS POR PERSONA, COMPAÑÍA O CORPORACIÓN ALGUNA CON RESPECTO AL PRESENTE PRODUCTO REVESTIRÁ CARÁCTER VINCULANTE PARA SAMSUNG. SAMSUNG NO SERÁ RESPONSABLE POR PÉRDIDAS DE INGRESOS O LUCRO CESANTE, IMPOSIBILIDAD DE GENERAR AHORROS U OBTENER OTROS BENEFICIOS, O CUALQUIER DAÑO DERIVADO DE CIRCUNSTANCIAS ESPECIALES, DAÑO IMPREVISTO O DERIVADO CAUSADO POR EL USO, USO INCORRECTO, O INCAPACIDAD PARA USAR EL PRESENTE PRODUCTO, INDEPENDIEMENTE DE LA TEORÍA LEGAL EN QUE SE FUNDE EL RECLAMO Y AUN CUANDO SE LE HAYA NOTIFICADO A SAMSUNG DE LA POSIBILIDAD DE TALES DAÑOS.

NINGÚN RESARCIMIENTO DE NINGUNA ÍNDOLE CONTRA SAMSUNG SUPERARÁ EL MONTO DE COMPRA DEL PRODUCTO VENDIDO POR SAMSUNG Y CAUSANTE DEL PRESUNTO DAÑO. SIN LIMITAR LO PRECEDENTE, EL COMPRADOR ASUME TODO EL RIESGO Y LA RESPONSABILIDAD POR PÉRDIDA, DAÑO O LESIÓN AL COMPRADOR Y A LOS BIENES DEL COMPRADOR Y A TERCEROS Y A SUS BIENES DERIVADOS DEL USO, USO INCORRECTO O INCAPACIDAD PARA USAR EL PRESENTE PRODUCTO. LA PRESENTE GARANTÍA LIMITADA NO SE EXTENDERÁ A NINGUNA PERSONA DISTINTA DEL COMPRADOR ORIGINAL DEL PRESENTE PRODUCTO, ES INTRANSFERIBLE Y ESTABLECE SU EXCLUSIVA REPARACIÓN.

Algunas provincias no permiten limitaciones en cuanto al plazo de una garantía implícita, o la exclusión o limitación de daños imprevistos o derivados, por lo que las limitaciones o exclusiones antedichas pueden no aplicarse en su caso. Esta garantía le otorga derechos específicos, y además puede tener otros derechos que varían según la provincia en la que se encuentre.

Para recibir servicio técnico de garantía, comuníquese con SAMSUNG a:

Samsung Electronics Canada Inc.
2050 Derry Road West
Mississauga, Ontario L5N 0B9 Canadá
1-800-SAMSUNG (726-7864)
www.samsung.com/ca/support (English)
www.samsung.com/ca_fr/support (French)

Las visitas del personal de servicio técnico para explicar funciones, mantenimiento o instalación no están cubiertas por la garantía.
Póngase en contacto con su agente del centro de llamadas Samsung para que le asesore.

Notas

¿TIENE PREGUNTAS O COMENTARIOS?

PAÍS	LLAME AL	O VISÍTENOS EN LÍNEA EN
U.S.A	1-800-SAMSUNG (726-7864) 1-844-SAM-PAYS (726-7297)	www.samsung.com/us/support
CANADA	1-800-SAMSUNG(726-7864)	www.samsung.com/ca/support (English) www.samsung.com/ca_fr/support (French)
MEXICO	01-800-SAMSUNG(726-7864)	www.samsung.com/mx/support



DC68-03774D-00