

# THE BEST BATH OR SHOWER EXPERIENCE? THE ONE NOBODY INTERRUPTS.

## **Thank you for buying an American Standard bath or shower product.**

We're so grateful you did, and you will be too. Not just while you're waking up each morning, but also every time a dirty gardener, sweaty soccer player, or muddy dog gets cleaned up. How do we know? Just like you, we've lived with that same beautiful chaos called life for almost 150 years. We believe that while every home should appreciate in value, we never forget the sentimental value that grows from enjoying life in the heart of home—your kitchen and bath. That's why we love your stories and ideas; they help us innovate with products that make your life easier.

Or, visit [americanstandard-us.com/bathroom/shower-bases](https://americanstandard-us.com/bathroom/shower-bases) to watch video, view/download installation manuals or learn more about your product.

## **Have a question or need help on install?**

For questions or help on installation call us at **800-442-1902**.

**For a copy of our warranty in additional languages,** please visit [Americanstandard.com](https://Americanstandard.com)

*American Standard*

# OWNERS MANUAL

## Elevate™ Shower Bases

A8014T RHO / A8014T LHO/ A8016T-CO

A8017T-CO / A8015T-CO

### INSTALLATION INSTRUCTIONS

Thank you for selecting American Standard – the benchmark of fine quality for over 150 years. To ensure this product is installed properly, please read these instructions carefully before you begin. Certain installations may require professional help.

#### INSTALLATION PREPARATION

- Please unpack carefully and identify all parts needed for installation by using the Box Contents as a reference. Inspect the product and report any damages or missing parts immediately to customer care by calling 800-442-1902. Follow the prompts for consumer/bathing.

**NOTE:** Take extra care in handling edges and surfaces of bases. Use only non-abrasive cloths to avoid scratching.

- The Elevate Base dimensions are nominal and meant for a standard alcove. Please measure your alcove to determine if the Elevate Base will work in your alcove prior to installation.

A8014T RHO/LHO 60 X 30	A8017T-CO.011 38 X 38 Corner
A8016T-CO.011 36 X 36 Corner	A8015T-CO 48 X 30 Alcove

- Ensure adequate wall support is provided to area where base is to be installed.
- Wear protective equipment during installation to avoid injury.
- Please keep these instructions for after care and customer service details.

### BOX CONTENTS

60 X 30 RHO/LHO A8014T 10 Clips

---

36 X 36 Corner A8016T-CO 6 Clips

---

38 X 38 Neo Angle A8017T-CO 6 Clips

---

48 X 30 Alcove A8015T-CO 8 Clips

---

Trench/Drain Plate

## RECOMMENDED TOOLS AND MATERIALS



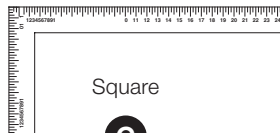
Level

**A**



Tape Measure

**B**



Square

**C**



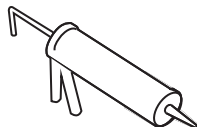
Screwdriver

**D**



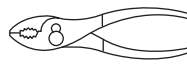
Pipe Wrench

**E**



Caulking Gun

**F**



Slip Joint Pliers

**G**



Personal Safety  
Equipment

**H**

Standard Woodworking Tools

**I**



Pencil

**F**

### MATERIALS

Exterior Rated Screws

Silicone Sealant

Drop Cloth

OPTIONAL: Mortar Mix or Grout



### BEFORE YOU BEGIN

Inspect your product thoroughly before installing. Take extra care in handling surfaces of the base and use only non-abrasive cloths to avoid scratching. Observe all local plumbing and building codes.

## INSTALLATION INSTRUCTIONS

### IMPORTANT GENERAL INFORMATION

This unit is best installed by two people.

Cover drain with tape prior to installation to prevent the loss of small parts.

Unpack your unit carefully and inspect for freight damage. Lay out and identify all parts using Box Contents as a reference. Before discarding the carton check to see that no small hardware parts have fallen to the bottom of the box. If any parts are damaged or missing refer to the description noted in the instructions when inquiring about replacements.

When installing coordinating bath walls, additional studs may be required.

Refer to those installation instructions prior to installing base.

Take extra care when driving nails or screws to avoid damaging the base.

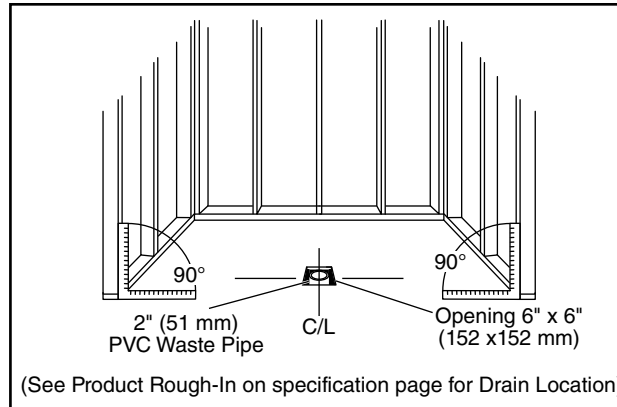
*American Standard*

# 1

## INSTALLATION AND FRAMING INSTRUCTIONS

The alcove opening dimensions should be at least 1/8" (3mm) larger than dimensions shown on spec page for the model being installed.

For the best fit, the opening measurements should be verified against the actual shower base received.

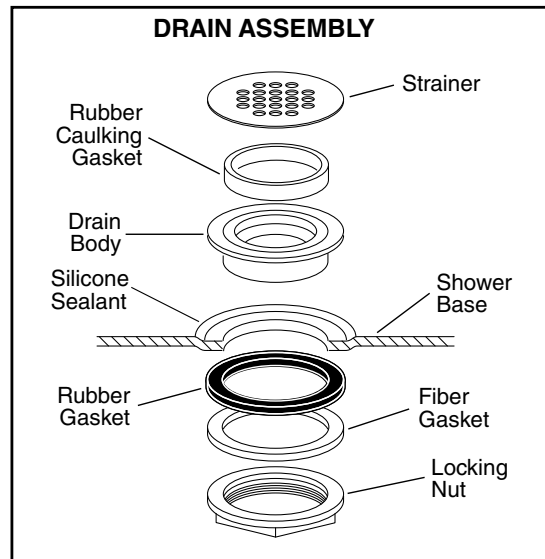


**FIGURE A**

- 1a.** Ensure that the floor and stud walls are square and plumb on a level floor as shown in Figure A. Provide a 7" x 7" (178 x 178 mm) opening in the floor for the drain and refer to the product rough-in on the specification page for actual drain location.

# 2

## INSTALLATION OF DRAIN ASSEMBLY



**FIGURE B**

- 2a.** All of the shower bases require purchasing a round drain for use with a standard 2" (51 mm) plastic schedule 40 waste pipe. Figure B shows the typical drain assembly. Before installing drain into the shower base, remove strainer. (Ref. Figure B) This will be installed after shower base is in its final position. Cut the waste pipe height so that the drain body will fit snug in the shower base. Apply silicone sealant between the drain body and shower base.

**NOTE:** Drain not included and must be purchased separately.

### 3

#### BASE INSTALLATION

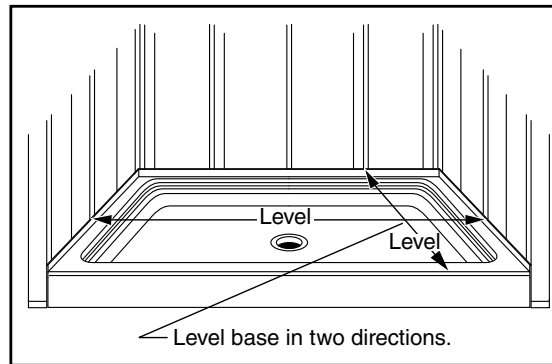


FIGURE C

**3a.** Place base into position and check for level in several directions. (Figure C)

**NOTE:** If base is not level, shim or level sub floor using optional mortar.

**NOTE:** Rectangle base shown.

### 4

#### INSTALLATION OF BASE CLIPS

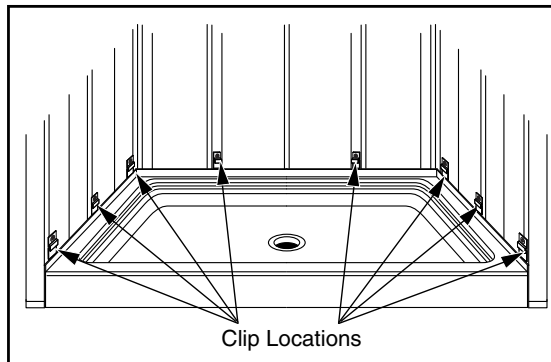
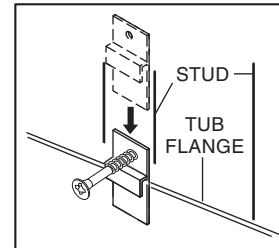
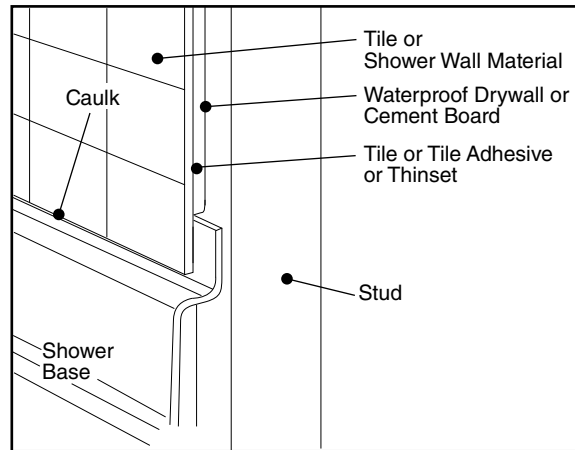


FIGURE D



**4a.** Once base is in place and level in several directions, attach supplied plastic clips evenly around the perimeter of alcove studs to the base flange and screw clip into stud. (Fig. D)

**NOTE:** Reference "Box Contents" by model to determine how many clips are required.

**5****FINISHED WALL****FIGURE E**

- 5a.** Tape over the strainer to protect the finish and prevent construction debris from entering the drain.  
Finish installation as shown in (Figure E)
- 5b.** Install wall material over shower base flange according to wall manufacturer instructions.  
Once wall material is installed, caulk around the areas where the wall meets the shower base.
- 5c.** Remove the tape over the strainer and place drain cover over the drain.

## POST INSTALLATION CLEAN-UP

Remove all construction debris. Tile grout can be removed with a wooden popsicle stick or tongue depressor. Do not use wire brushes or any other metal implement on bath surface.

Post installation clean-up generally can be completed using warm water and liquid dishwashing detergent. Stubborn dirt or stains may be removed using granular Spic and Span® mixed with water.

Painter's naphtha can be used to remove excess adhesives and/or wet oil-base paint.

### AFTERCARE AND CLEANING

- Excessively hot water may cause surface damage.
- **HARSH CHEMICALS SHOULD NEVER BE USED ON SHOWER BASE SURFACE.** Clean after use with a mild liquid household detergent cleaner. Do not use Lestoil, Lysol Disinfectant (spray or concentrate), or Lysol Basin, Tub and Tile Cleaner, Windex, Mr. Clean, Dow Disinfectant Bathroom Cleaner, or cleaning products in aerosol cans.
- Do not use wire brushes, knives or sharp objects to remove stains, cigarette tar deposits, or other surface blemishes.
- Abrasive cleaners or powders must not be used, since they will dull the surface. If the glossy surface loses its sheen, dulled areas or light scratches can be restored by rubbing with a white "automotive type" polishing compound and waxing with a "liquid wax."
- **Do not wax areas where you walk or stand.**
- Do not allow nail polish remover, acetone, dry cleaning fluid, paint remover or other solvents to come into contact with the surface.
- Clean the surrounding surface immediately after using caustic drain cleaners.
- Burning cigarettes will damage the surface.
- Should damage to the fixture occur, repairs can be made quickly and easily. Your distributor or builder can provide details.

Spic And Span® Is A Registered Trademark Of The Spic And Span Company

# WARRANTY

## AS AMERICA, INC. 10 YEAR WARRANTY FOR SHOWER BASES AND BATHTUBS

**Residential Warranty:** AS America, Inc. ("American Standard") warrants this product against defects in materials and workmanship under normal residential use for TEN (10) years by the original consumer-purchaser commencing from the date of purchase.

**Commercial Warranty:** American Standard warrants this product against defects in materials and workmanship under normal commercial use for THREE (3) years by the original business-purchaser commencing from the date of purchase.

**Non-Transferrable:** This warranty is provided for the exclusive benefit of the original consumer-purchaser or business-purchaser. This warranty is non-transferable, including, but not limited, to any subsequent purchasers or owners. The sole exception to the non-transferability of this warranty is for products purchased by a plumber, contractor or similar service provider, in which case this warranty extends to the first residential or commercial property owner on whose behalf the product was purchased for installation.

**Geographic Limitation:** This warranty applies only to products installed in the United States of America, Canada or Mexico.

**Option to Repair or Replace:** If a defect arises and a valid claim is received during the warranty period, American Standard will, at its option, either repair or replace the defective product free of charge. The decision whether to repair or replace is determined by American Standard in its sole discretion. Proof of purchase (original sales receipt) must be provided to American Standard with all warranty claims.

This warranty only applies to American Standard StruXure™ Tubs and Shower Bases. Unless otherwise specified, all other American Standard options and accessories are covered by the AS AMERICA, INC. ONE YEAR LIMITED WARRANTY, which warrants against defects in material and workmanship for one (1) year from the date of first purchase.

### EXCLUSIONS AND LIMITATIONS

This warranty only applies to products purchased after April 1, 2021.

This warranty only applies to products purchased through an authorized American Standard dealer or re-seller.

This warranty does not apply to defects or damage caused by non-genuine American Standard parts, installation error, product abuse, product misuse, improper maintenance, improper care or cleaning, improper repair or installation, and/or movement or transfer of the product from its original installation location (whether performed by the owner, a plumber, a contractor, a service company, or anyone else). Because improper care and cleaning can cause significant damage to the product, it is strongly recommended that you follow the Care and Cleaning Instructions (as well as all other instructions) that accompanied the product.

American Standard is not responsible for labor charges and/or damage incurred during installation, repair or replacement. In no event will American Standard be liable for the cost of repair or replacement of any installation materials, including, but not limited to, tile or marble.

This warranty does not apply to deterioration through normal wear and tear and the expense of normal maintenance.

American Standard does not warrant that this product and/or its installation complies with local code requirements. American Standard recommends that you consult with a plumbing contractor about local code requirements.

TO THE EXTENT PERMITTED BY LAW, THIS WARRANTY IS EXCLUSIVE AND IN LIEU OF ALL OTHER WARRANTIES, WHETHER ORAL OR WRITTEN, STATUTORY, EXPRESS OR IMPLIED. AMERICAN STANDARD HEREBY EXCLUDES SPECIAL, INCIDENTAL AND CONSEQUENTIAL DAMAGES FOR ANY BREACH OF ANY EXPRESS OR IMPLIED WARRANTY APPLICABLE TO THIS PRODUCT.

Some states do not allow the exclusion or limitation of incidental or consequential damages, so the above limitations and exclusions may not apply to you. This warranty gives you specific legal rights, and you may also have other rights which vary from state to state (or province, as applicable).

### OBTAINING WARRANTY SERVICE

If you believe that you have a warranty claim, contact American Standard, either through an authorized AS America, Inc. dealer or re-seller, by writing to the addresses below, or visiting the website below:

#### UNITED STATES

American Standard Brands  
30 Knightsbridge Road, Suite 301  
Piscataway, New Jersey 08854  
Attention: Director of Customer Care  
For residents of the United States,  
warranty information may also be obtained  
by calling the following toll free number:  
(800) 442-1902  
[www.americanstandard.com](http://www.americanstandard.com)

#### CANADA

LIXIL Canada, Inc.  
5900 Avebury Rd.  
Mississauga, Ontario  
Canada L5R 3M3  
Toll Free: (800) 387-0369  
[www.americanstandard.ca](http://www.americanstandard.ca)

#### MEXICO

American Standard B&K Mexico  
S. de R.L. de C.V.  
Via Morelos #330  
Col. Santa Clara  
Ecatepec 55540 Edo. Mexico  
Toll Free: 01-800-839-1200  
[www.americanstandard.com.mx](http://www.americanstandard.com.mx)

Please be sure to provide all pertinent information regarding your claim, including your sales receipt, a complete description of the problem, the product, model number, color, finish, purchase date, and from whom the product was purchased.

For other information, or to obtain the name and address of the service and repair facility nearest you, call (800) 442-1902 (in the United States); (800) 387-0369 (in Canada) and 01-800-839-1200 (in Mexico).

**THIS WARRANTY IS NOT TRANSFERABLE FROM ORIGINAL CONSUMER PURCHASER.**

*American Standard*



# TELL US WHAT YOU THINK!

★ Please leave us a product review or story at **[americanstandard.com/reviews](http://americanstandard.com/reviews)**



## Great Tub

03/13/2018 06:52:29 CDT American Standard Bathtubs Saver 60 Inch by 34 Inch Integral Apron Bathtub. Left Hand Drain

Love the tub. It is very roomy and would definitely buy it again. Our old tub cracked so we got this one to replace it. This one feels like it is more durable and not as flimsy as the last one.

Register your warranty and sign up for an idea-filled newsletter at **[americanstandard.com/warranty](http://americanstandard.com/warranty)**.

Find installation videos at **[youtube.com/americanstandard](http://youtube.com/americanstandard)**.

## ≡ WANT MORE INFO?

For questions or help call us at **800-442-1902**,  
or visit **[americanstandard.com](http://americanstandard.com)**