

Assembly Preparation

Owner's Manual

Please check local building codes regarding footings, location and other requirements before beginning construction.

Assembly instructions:

Reviewing all instructions and the appropriate information before you begin, make sure following the step sequence carefully for successful results.

Flooring base:

A good location for the storage building is a square and level area with good drainage. The base is not included in the kit which may need purchase separately or may construct a foundation and anchoring system of your own.

A strong plastic sheet (thickness: at least 150µm) should be placed under the foundation to assist in reducing rising dampness from the soil, thus reducing condensation build up in the shed. Your storage building must be anchored to prevent wind damage. Once secured, it is highly recommended applying silicone along the inside of the base rail to minimize condensation.

Parts and Parts List:

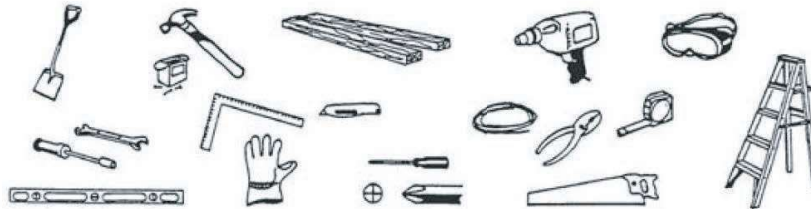
Before you start, separate and identify all the parts and hardware to be sure that you have all the necessary parts for your building (refer to the Parts List Page).

If you find that a part is missing, please notify the seller within one week after receiving the product.


Do not attempt to assemble the building if parts are missing because any building left partially assembled may be seriously damaged by light winds.

Tools you need:

(Please tear off the safety protection layer before the assembly, keep the part number label if needed)



Safety must

1. Select a dry and calm day for your assembly. Team works (Two or more people) are required during the assembly. It is also recommended to finish the assembly in a day to avoid damage to the product or missing of some small parts.
2. Wearing safety gloves, eye protection and long sleeves during the assembly to prevent injury. Pay attention to the sharp edge of some parts. 
3. Children and pets are not allowed entering into the construction site.
4. Never concentrate your total weight on the roof of the building. When using a step ladder make sure that it is safe.

Care & Maintenance:

1. Keep the shed clean with soft cloth, use water if necessary.
2. Keep the door tracks clear of dirt and other stuff that prevent them from sliding easily.
3. Clean the snow with necessary tools to make sure it is safe to enter into.
4. The shed is not made for living but storing stuff.
5. Please add some oil on the top and bottom door sliding channel to make door smoothly.

EN

This instruction manual is a general installation instruction for the three sizes.

Please read the installation instructions carefully before installation, we hope the following instructions will be helpful for your installation.

When each part is installed for the first time, the part number, quantity and cross-section will be shown.

If there is no dimension shown in the lower left corner of the installation steps page, it means that this is a general installation, that is, this step is required for the installation of these three sizes.

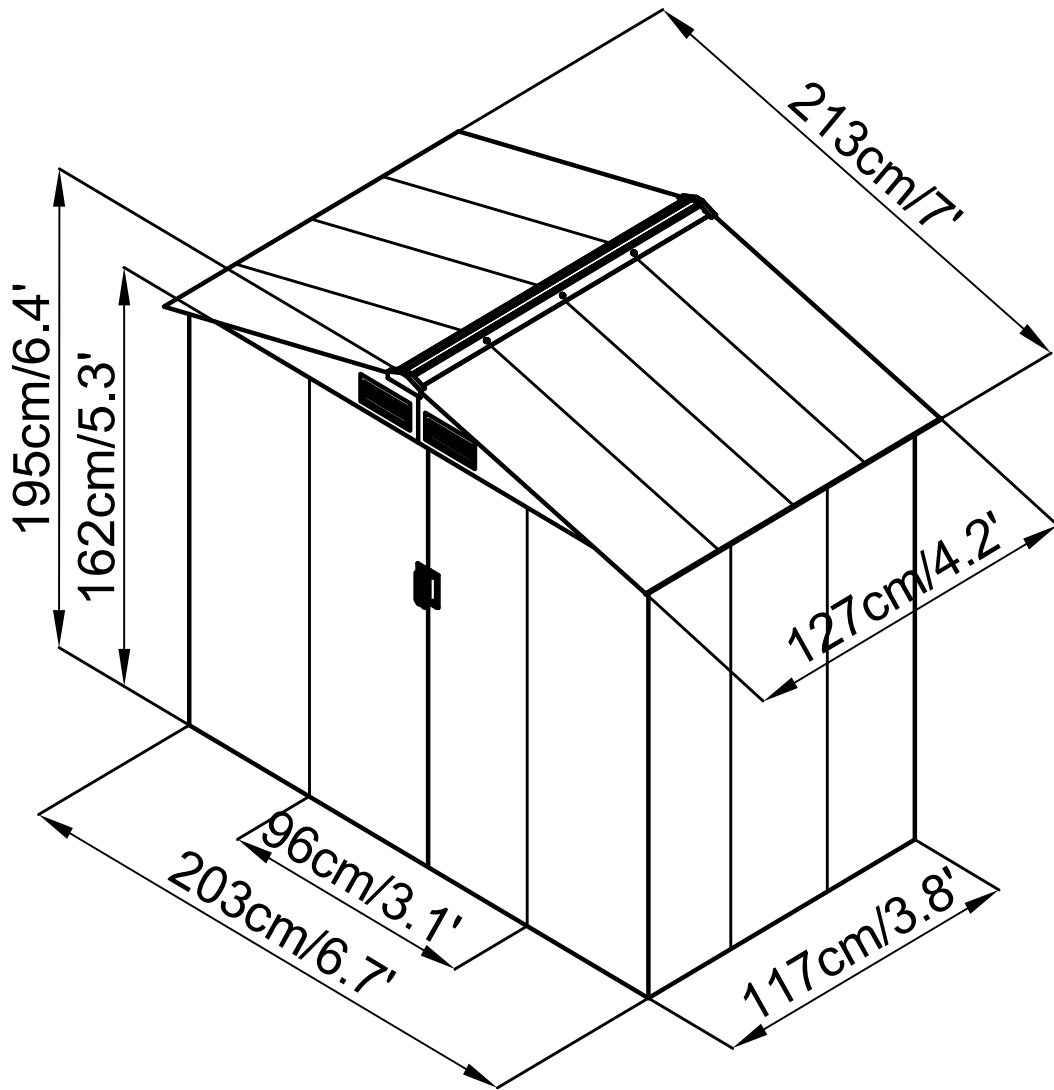
If the dimensions are shown in the lower left corner of the installation steps, please select the corresponding number of parts to install.

If only "X" or "√" pattern is shown in the lower left corner of the installation step, it means that the parts of this step have been shown in the previous step, and the parts will not be shown, just pay attention to the details.

The "X" pattern means that this model does not need to pay attention to the detailed operation of this step, while the "√" pattern means that this model needs to pay attention to the details of this step.

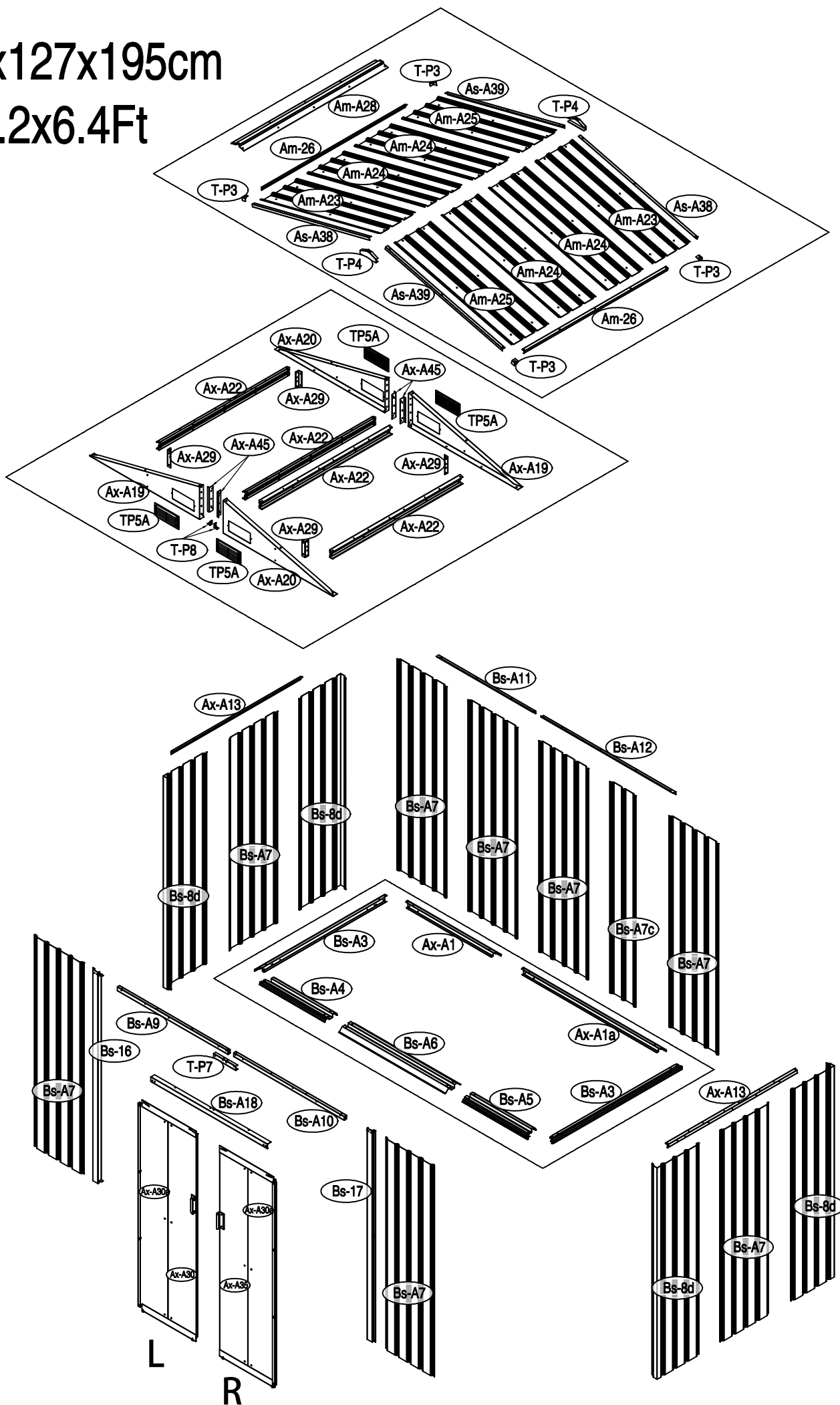
It requires two people and take 2-3 hours for Installation.

213x127x195cm/7x4.2x6.4Ft :















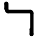



















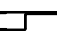





213x127x195cm

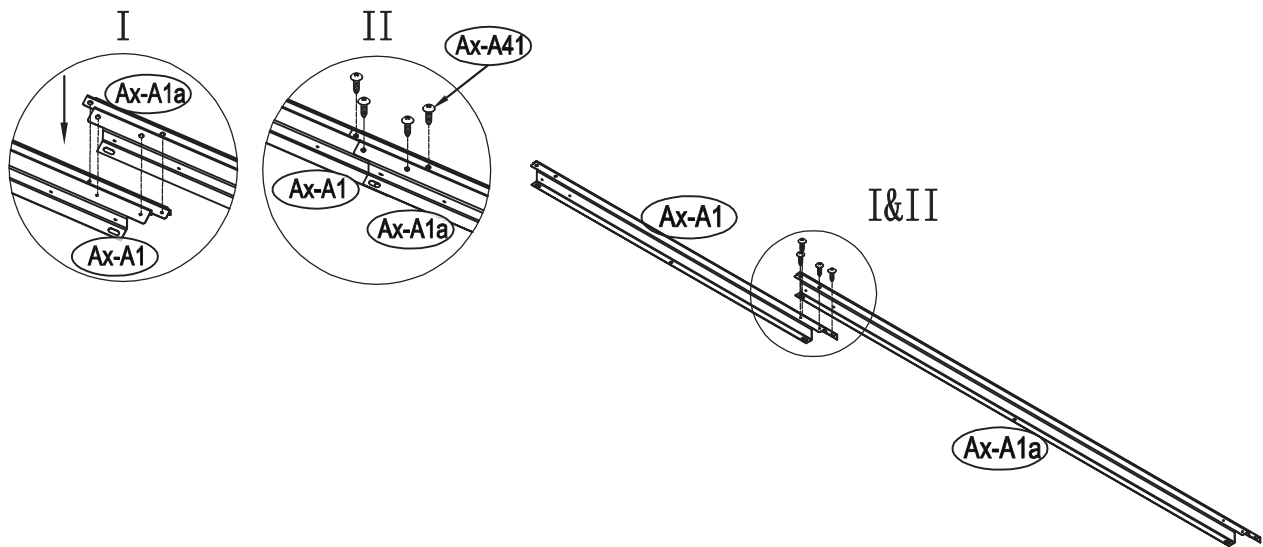
/7x4.2x6.4Ft



213x127x195cm/7x4.2x6.4Ft

GT3731GR-12				GT3731GR-22			
Ax-A1		841mm	x1	T-P4			x2
Ax-A1a		1287mm	x1	TP5A			x4
Bs-A3		1174mm	x2	T-P6			x2
Bs-A4		590mm	x1	T-P7		200mm	x1
Bs-A5		590mm	x1	T-P8			x2
Bs-A6		958mm	x1	Ax-A40			x158
Bs-8d		1648mm	x4	Ax-A41		ST4x10	x194
Bs-A9		995mm	x1	Ax-A42		ST4x16	x16
Bs-A10		995mm	x1	Ax-A43		M4x10	x90
Bs-A11		873mm	x1	Ax-A44			x92
Bs-A12		1190mm	x1				x1
Ax-A13		1168mm	x2	GT3731GR-22			
Bs-16		1648mm	x1	Bs-A7		1648mm	x8
Bs-17		1648mm	x1	Bs-A7c		1648mm	x1
Bs-A18		1044mm	x1	Am-A23		1090mm	x2
Ax-A19		995.3mm	x2	Am-A24		1090mm	x4
Ax-A20		995.3mm	x2	Am-A25		1090mm	x2
Ax-A22		1170mm	x4	Am-A28		1298mm	x1
Am-26		1294mm	x2	Ax-A30		1583mm	x1
As-A38		1087mm	x2	Ax-A35		1583mm	x1
As-A39		1087mm	x2	Ax-A30a		1583mm	x2
Ax-A29		126mm	x4				
Ax-A45		192mm	x4				
Ts-31		1583mm	x2				
Ax-31a		1583mm	x2				
Ax-A32		234mm	x4				
Ax-A32a		212mm	x4				
Ax-A33		486mm	x1				
Ax-A34		486mm	x1				
Ax-A36		486mm	x1				
Ax-A37		486mm	x1				
T-P1				x4			
T-P2			x4				
T-P3			x4				

1



Ax-A1 (x1)	Ax-A1a (x1)	
------------	-------------	--



EN: The size is not shown in the lower left corner of this step, it is a general installation. This step is required for any size purchased.

DE: Die Größe ist in der unteren linken Ecke dieses Schrittes nicht angegeben, es handelt sich um eine allgemeine Montage. Dieser Schritt ist für jede gekaufte Größe erforderlich.

FR: La dimension n'est pas indiquée dans le coin inférieur gauche de cette étape, il s'agit d'une installation générale. Cette étape est requise pour toute dimension achetée.

ES: El tamaño no se muestra en la esquina inferior izquierda de este paso, es una instalación general. Este paso es necesario para cualquier tamaño comprado.

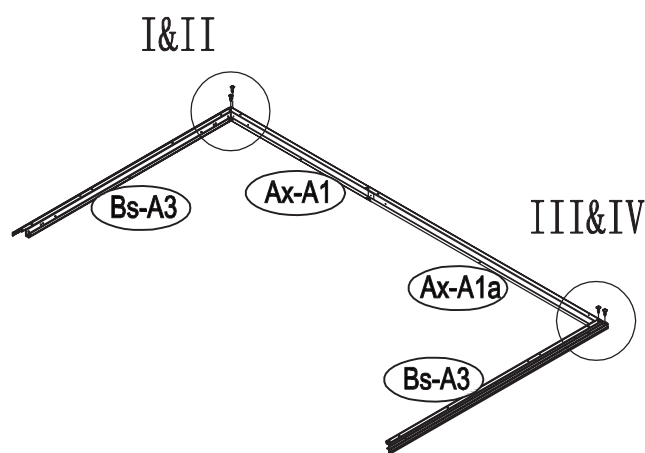
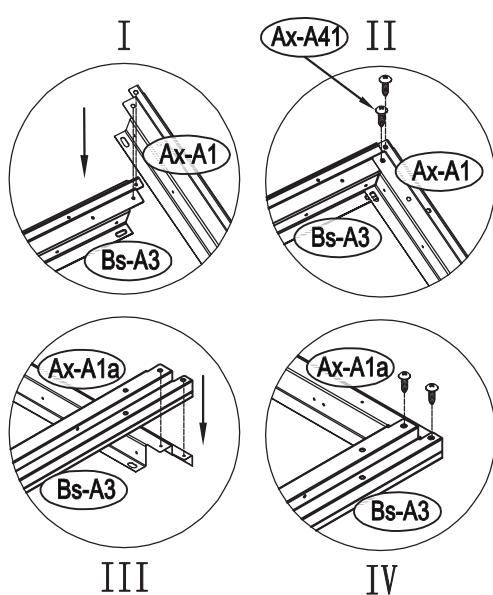
IT: Questo manuale d'istruzioni è l'istruzione generale per tutte le tre dimensioni.


Si prega di leggere attentamente l'istruzione dell'installazione prima dell'installazione, speriamo che le seguenti istruzioni siano utili per l'installazione.

PL: Niniejsza instrukcja obsługi jest instrukcją ogólną dla trzech rozmiarów produktu.

Prosimy o uważne zapoznanie się z instrukcją przed przystąpieniem do montażu. Mamy nadzieję, że poniższe wskazówki ułatwią i przyspieszą proces montażu.

2



213x127x195cm/7x4.2x6.4Ft:	Bs-A3 (x2)	
213x191x195cm/7x6.3x6.4Ft:	×	
213x255x195cm/7x8.4x6.4Ft:	×	



EN: If the size of the product you purchased is 213 x 127 x 195cm, then 2pcs part Bs-A3 are required. The other two sizes are not required.

DE: Wenn der von Ihnen gekaufte Artikel 213 x 127 x 195 cm groß ist, benötigen Sie 2 Stück des Teils Bs-A3. Die anderen beiden Größen sind nicht erforderlich.

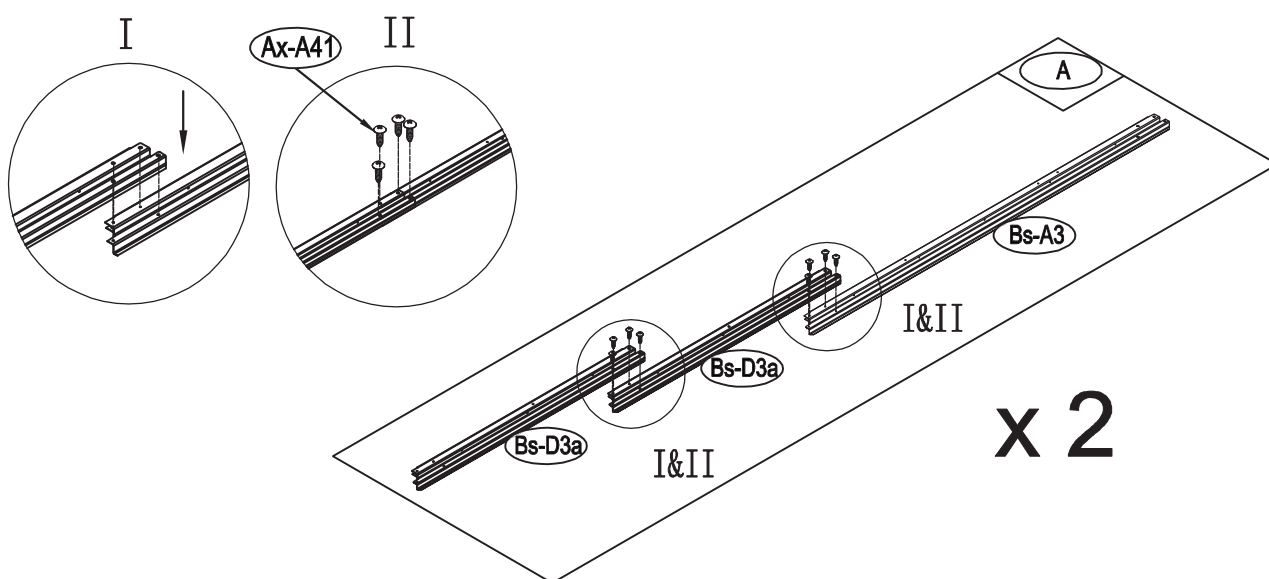
FR: Si la taille du produit que vous avez acheté est de 213 x 127 x 195 cm, alors 2 pièces Bs-A3 sont nécessaires. Les deux autres tailles ne sont pas nécessaires.


ES: Si el tamaño del producto que ha comprado es de 213 x 127 x 195 cm, entonces se requieren 2 piezas Bs-A3. Los otros dos tamaños no son necesarios.

IT: Quando ogni parte viene installata per la prima volta, verranno mostrati il numero di parte, la quantità e la sezione trasversale.

PL: Jeśli produkt, który kupiłeś ma wymiary 213 x 127 x 195 cm, wtedy 2 części Bs-A3 są potrzebne. Inne rozmiary nie są wymagane.

3



A	213x127x195cm/7x4.2x6.4Ft:	×	×	
	213x191x195cm/7x6.3x6.4Ft:	Bs-A3 (x1)	Bs-D3a (x1)	
	213x255x195cm/7x8.4x6.4Ft:		Bs-D3a (x2)	



EN: If the size of the product you purchased is 213 x 127 x 195cm, then skip this step and go to step 4.

If the size of the product you purchased is 213 x 191 x 195cm, then 1pc part Bs-A3 and 1pc Bs-D3a are required.

If the size of the product you purchased is 213 x 255 x 195cm, then 1pc part Bs-A3 and 2pcs Bs-D3a are required.

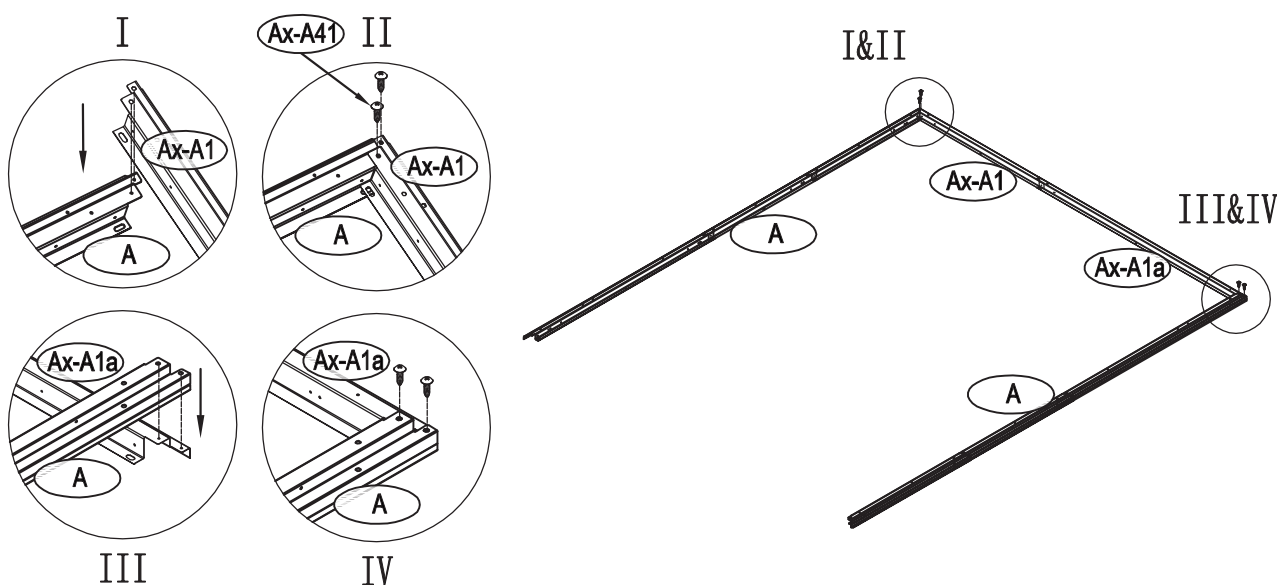
*Please note that A in this step represents the installation of this set of components, which will be explained in the following installation steps.

PL: Jeśli wymiary zakupionego produktu wynoszą 213 x 127 x 195 cm, pominiń ten krok i przejdź do kroku 4. Jeśli wymiary zakupionego produktu wynoszą 213 x 191 x 195 cm, należy użyć 1 części Bs-A3 i 1 części Bs-D3a.

Jeśli wymiary zakupionego produktu wynoszą 213 x 255 x 195 cm, należy użyć 1 części Bs-A3 i 2 części Bs-D3a.

*Należy pamiętać, że litera A w tym kroku oznacza instalację tego zestawu komponentów, co zostanie wyjaśnione w kolejnych krokach instalacji.

4

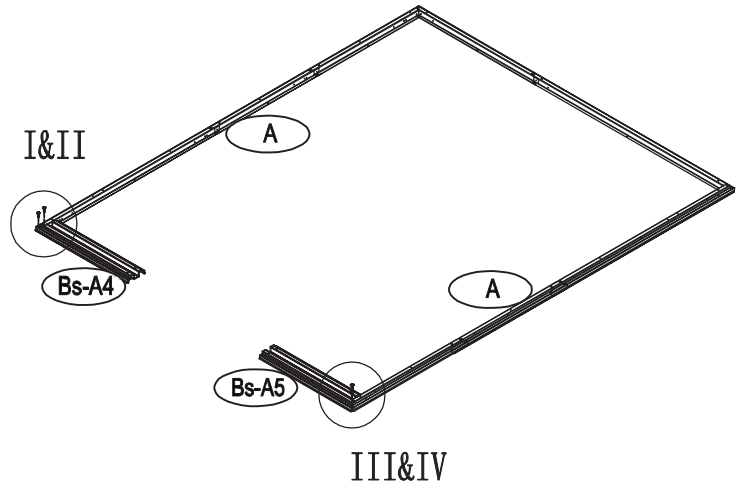
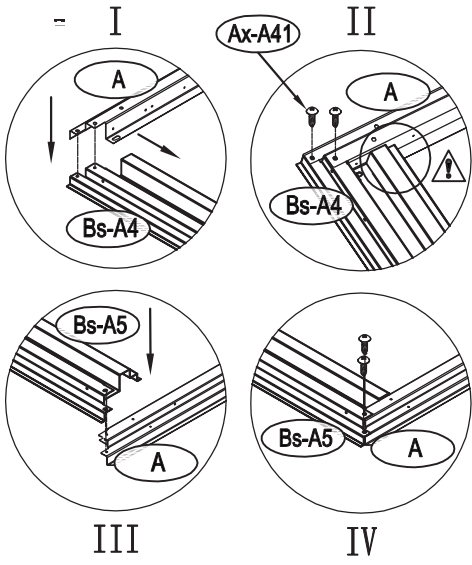


A	213x127x195cm/7x4.2x6.4Ft:	✗
	213x191x195cm/7x6.3x6.4Ft:	✓
	213x255x195cm/7x8.4x6.4Ft:	

EN: If only the "X" or "✓" pattern is shown in the lower left corner of this step, it means that product with size of 213 x 127 x 195cm does not need this step, while product with size of 213 x 191 x 195cm and 213 x 255 x 195cm need this detailed operation.

Install the other steps in the same way!

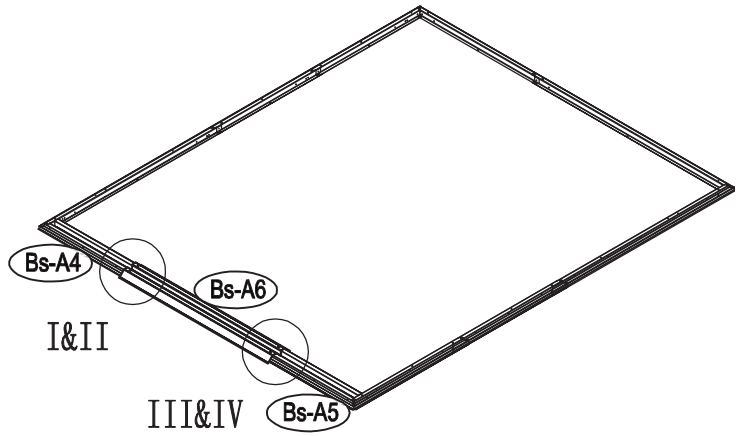
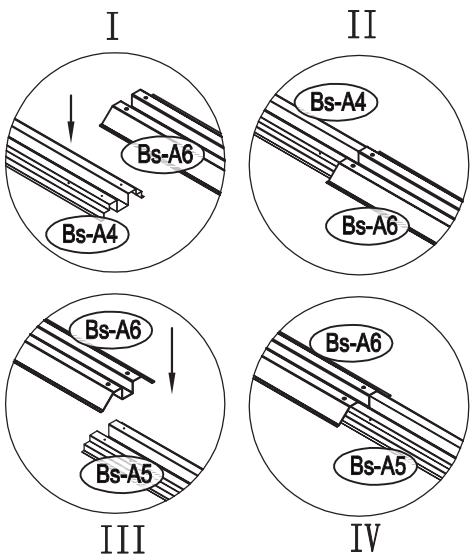
5



Bs-A4 (x1)	Bs-A5 (x1)	
------------	------------	--



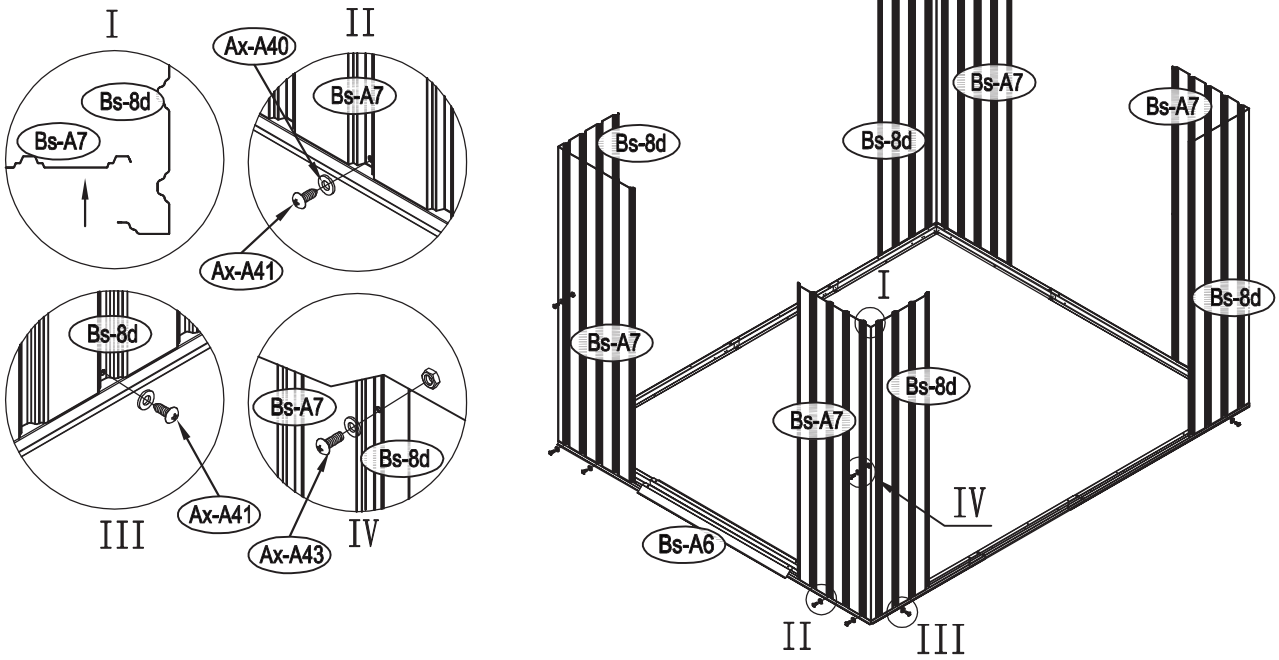
6



Bs-A6 (x1)	
------------	--



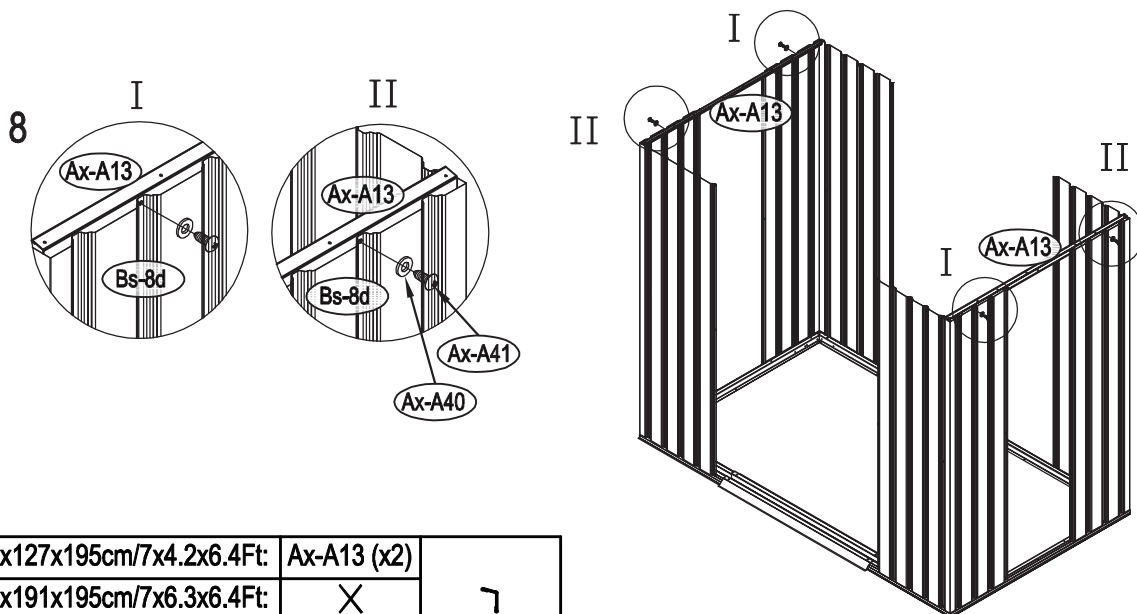
7



Bs-A7 (x4)	Bs-8d (x4)	
------------	------------	--



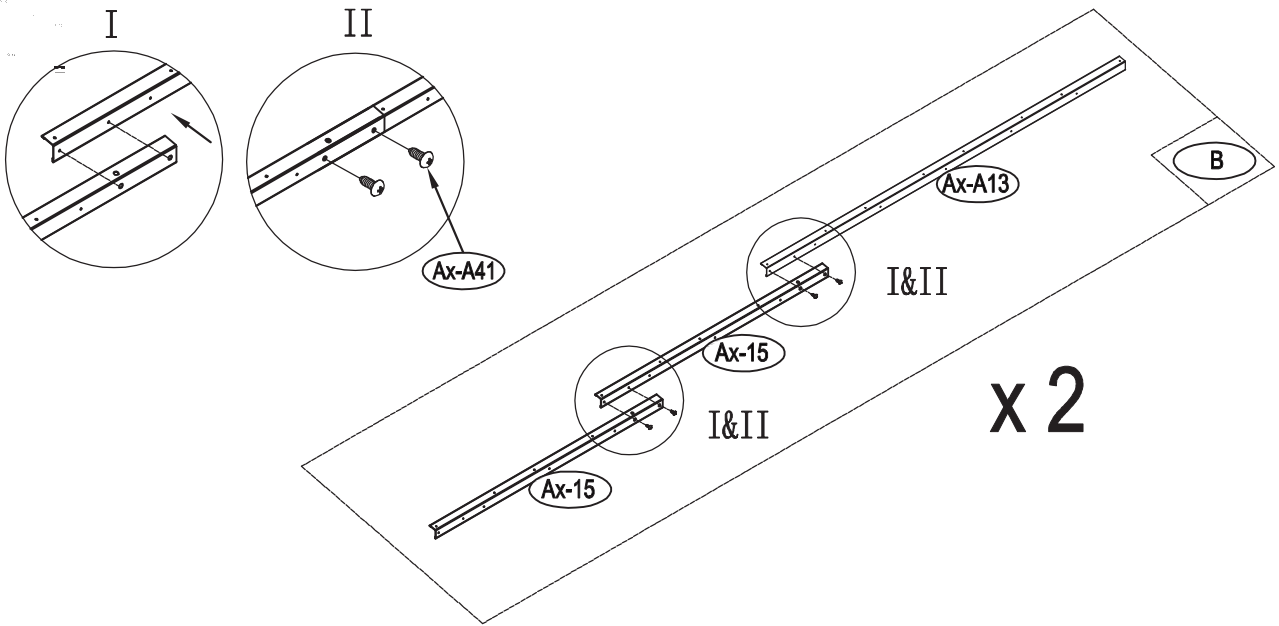
8



213x127x195cm/7x4.2x6.4Ft:	Ax-A13 (x2)	7
213x191x195cm/7x6.3x6.4Ft:	×	
213x255x195cm/7x8.4x6.4Ft:	×	



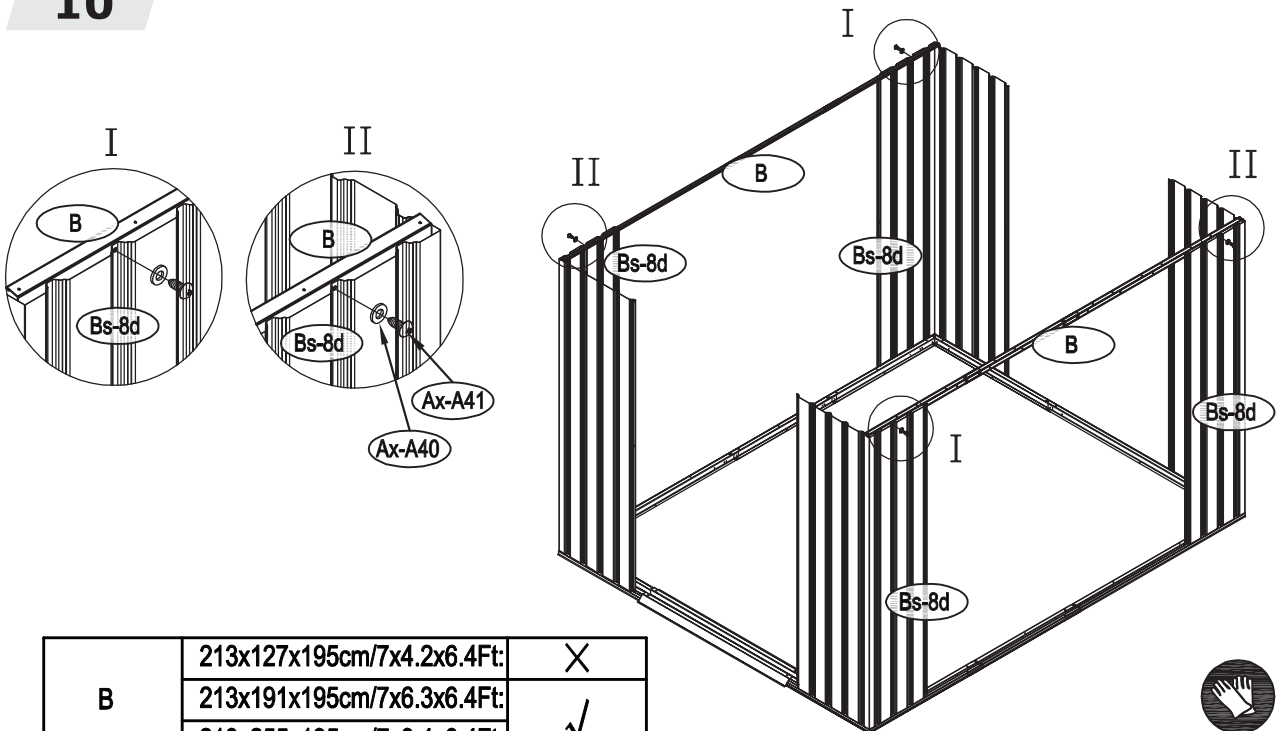
9



B	213x127x195cm/7x4.2x6.4Ft:	×	×	7
	213x191x195cm/7x6.3x6.4Ft:	Ax-A13 (x1)	Ax-15 (x1)	
	213x255x195cm/7x8.4x6.4Ft:		Ax-15 (x2)	



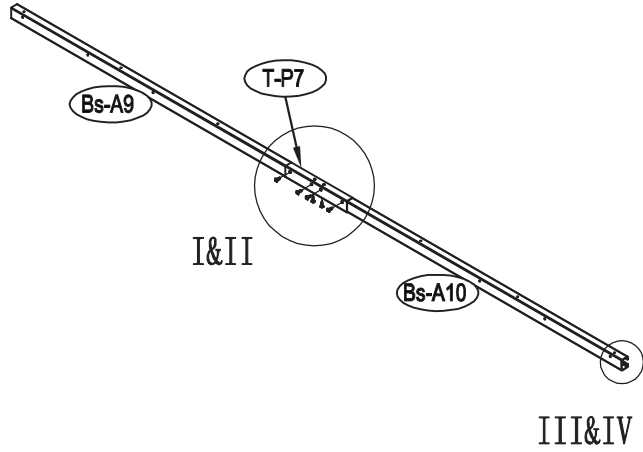
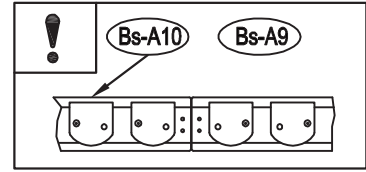
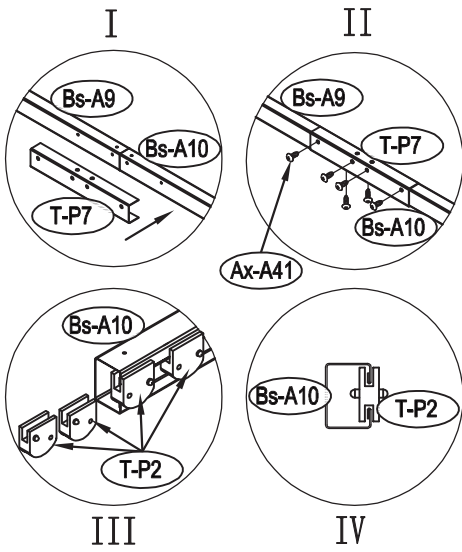
10



B	213x127x195cm/7x4.2x6.4Ft:	×
	213x191x195cm/7x6.3x6.4Ft:	✓
	213x255x195cm/7x8.4x6.4Ft:	



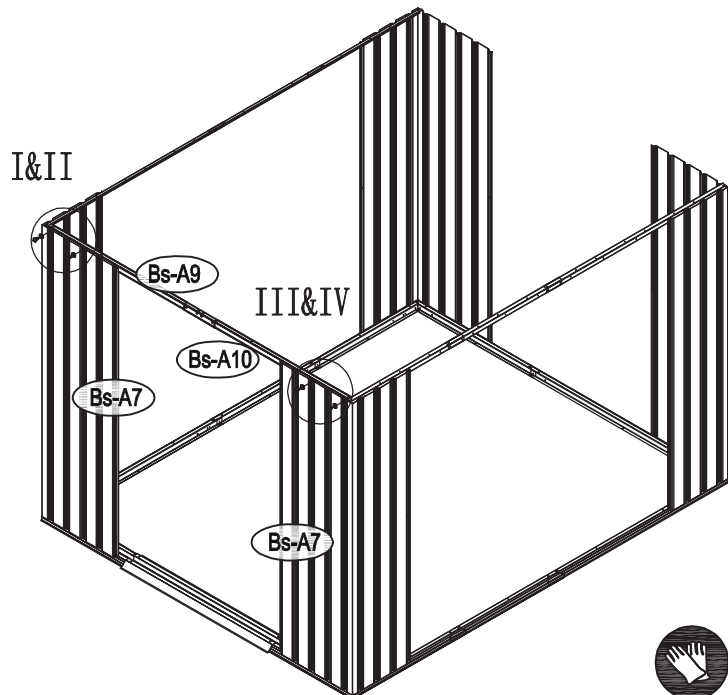
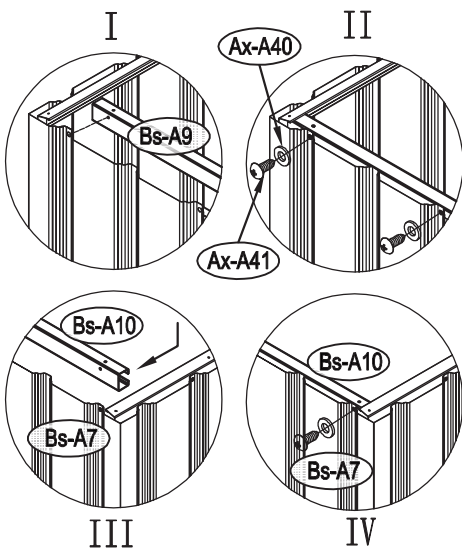
11



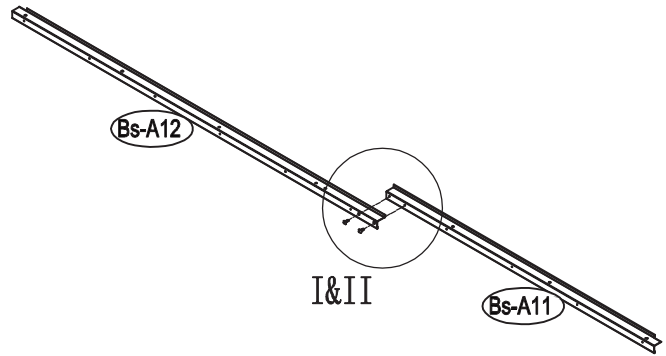
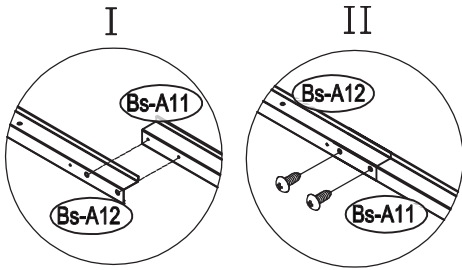
Bs-A9 (x1)	Bs-A10 (x1)	☐
------------	-------------	---



12



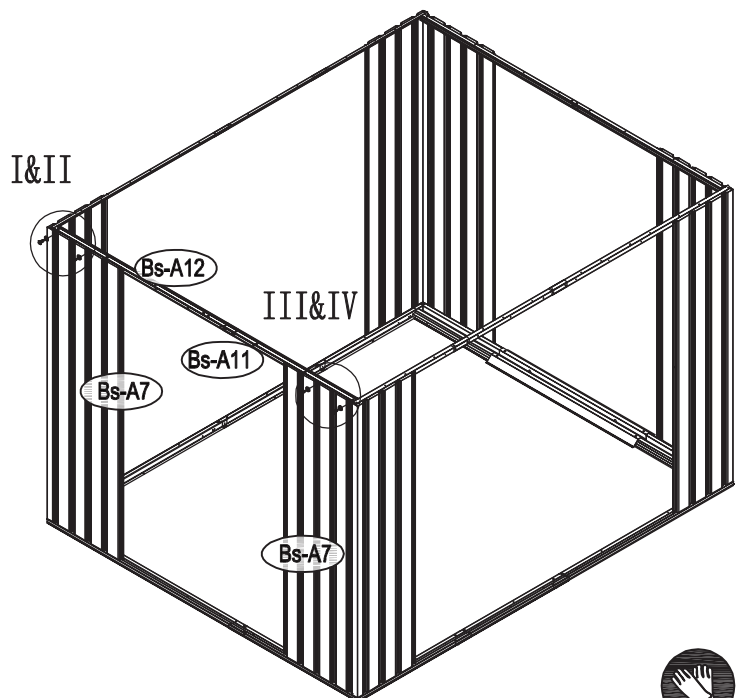
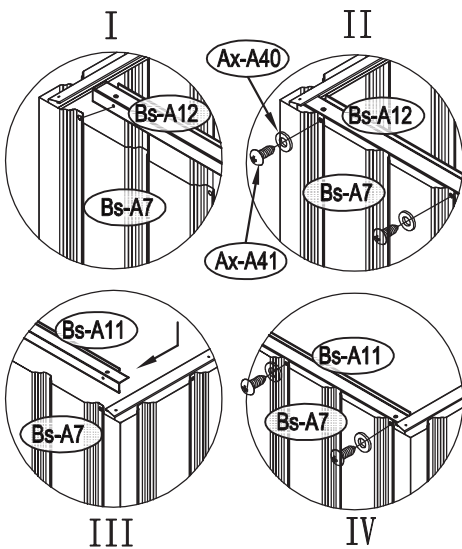
13



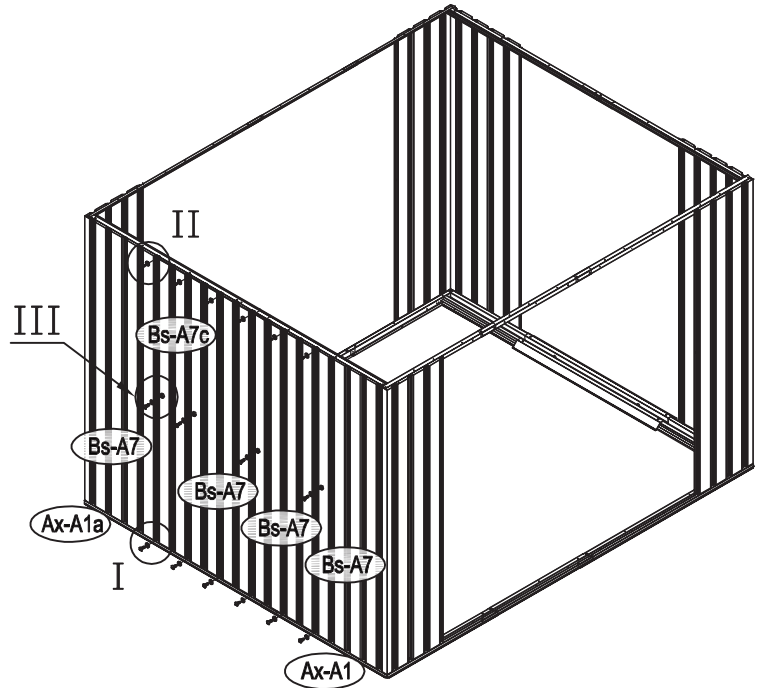
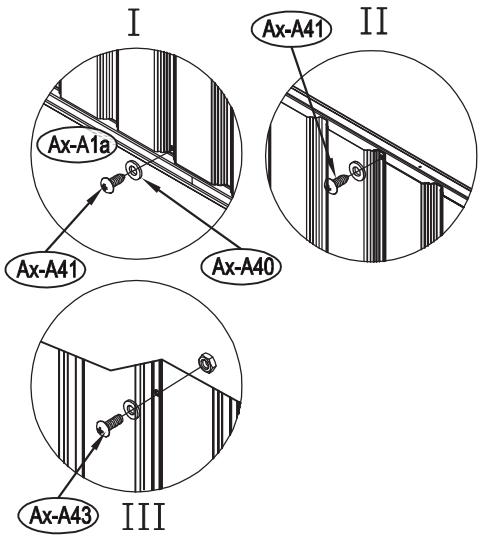
Bs-A11 (x1)	Bs-A12 (x1)	└
-------------	-------------	---





14

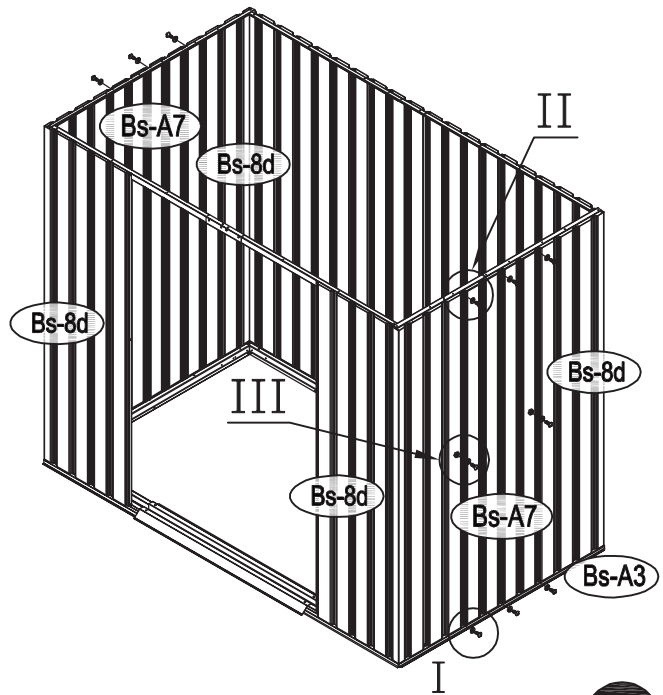
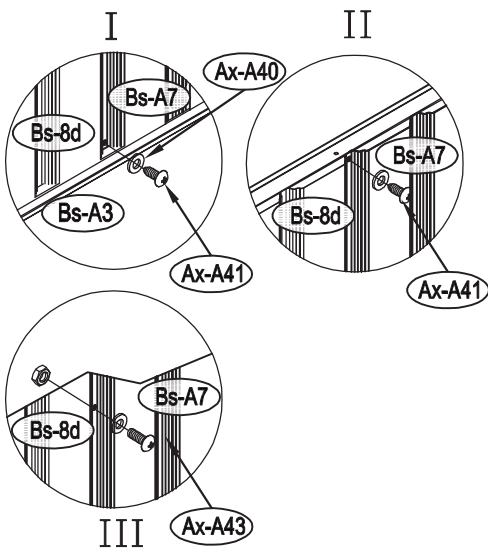



15



Bs-A7 (x2)	Bs-A7c (x1)		
------------	-------------	---	---

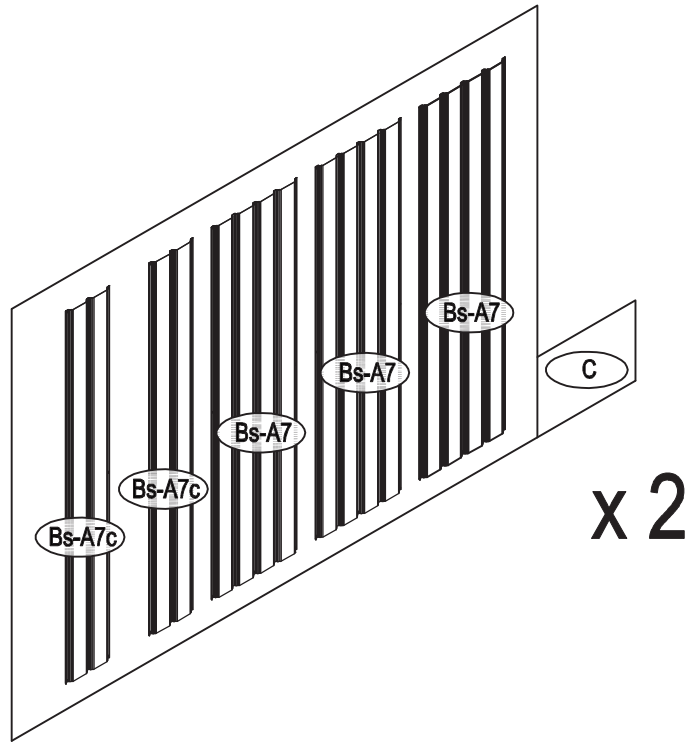
16



213x127x195cm/7x4.2x6.4Ft:	Bs-A7 (x2)	
213x191x195cm/7x6.3x6.4Ft:	X	
213x255x195cm/7x8.4x6.4Ft:	X	



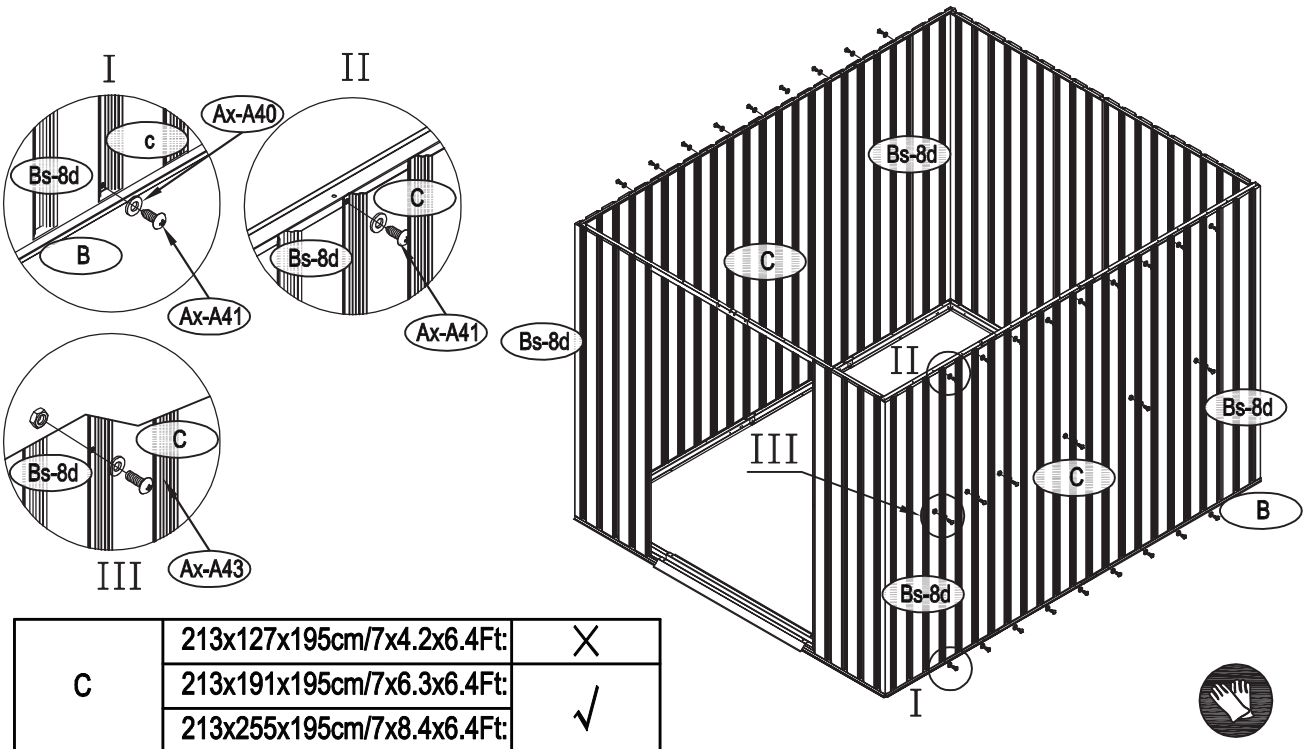
17



C	213x127x195cm/7x4.2x6.4Ft:	×	×	
	213x191x195cm/7x6.3x6.4Ft:	Bs-A7 (x2)	Bs-A7c (x1)	
	213x255x195cm/7x8.4x6.4Ft:	Bs-A7 (x3)	Bs-A7c (x2)	



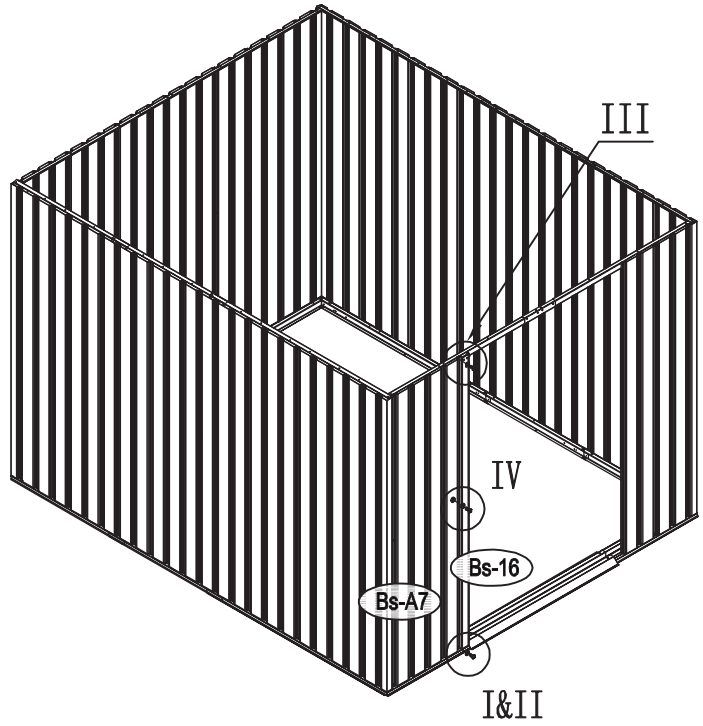
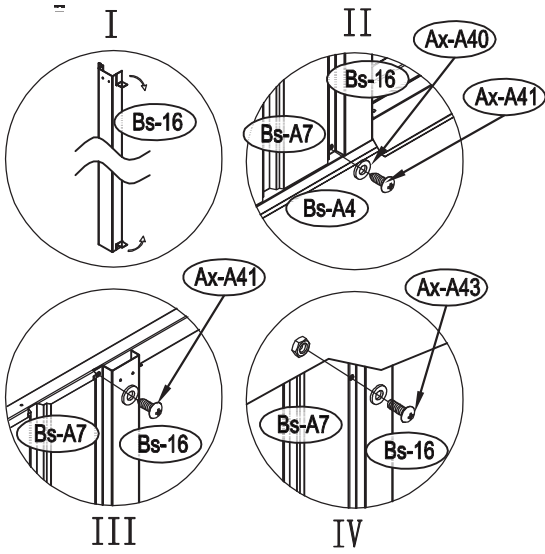
18



C	213x127x195cm/7x4.2x6.4Ft:	×
	213x191x195cm/7x6.3x6.4Ft:	✓
	213x255x195cm/7x8.4x6.4Ft:	



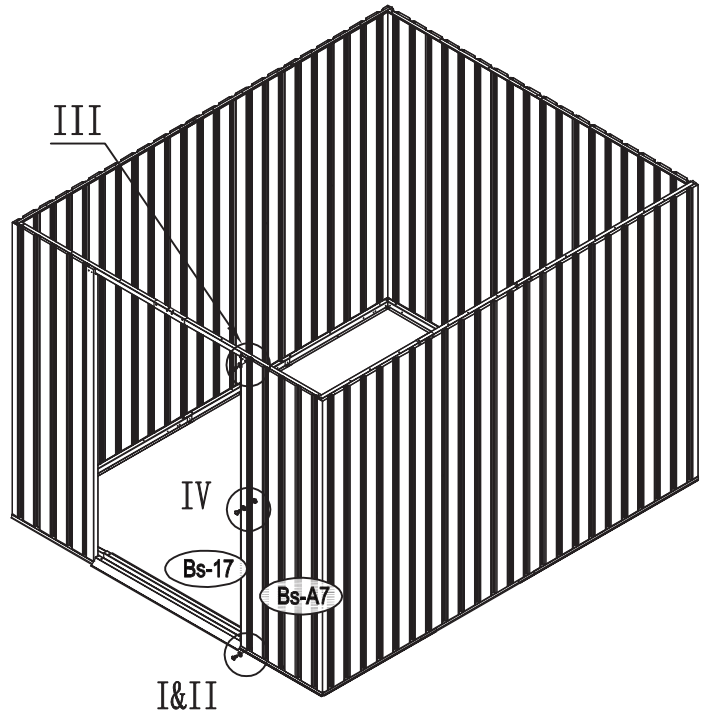
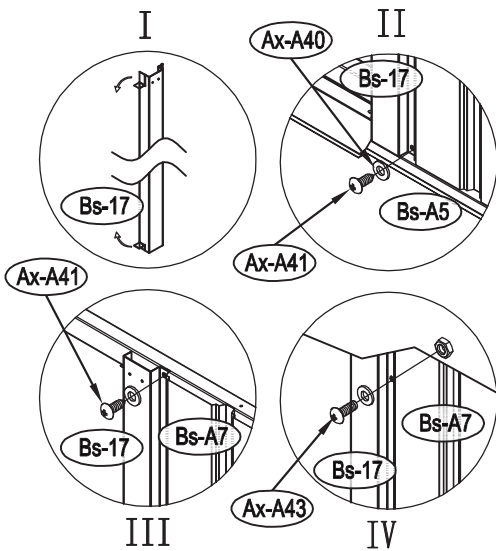
19



Bs-16 (x1)	
------------	--



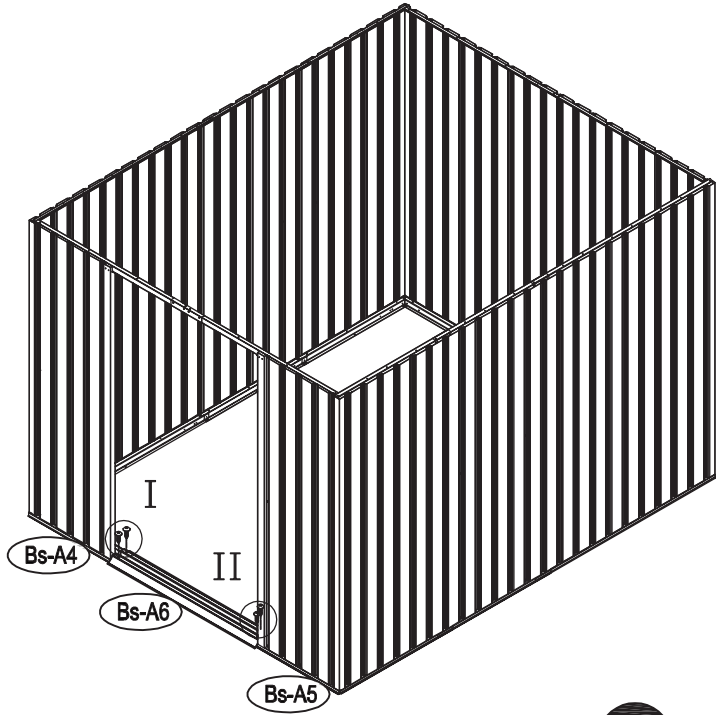
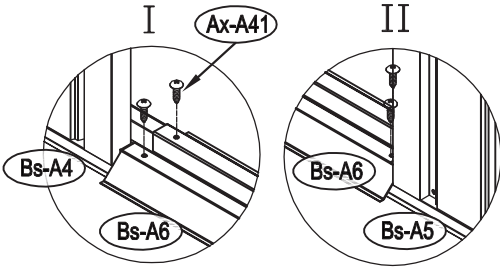
20



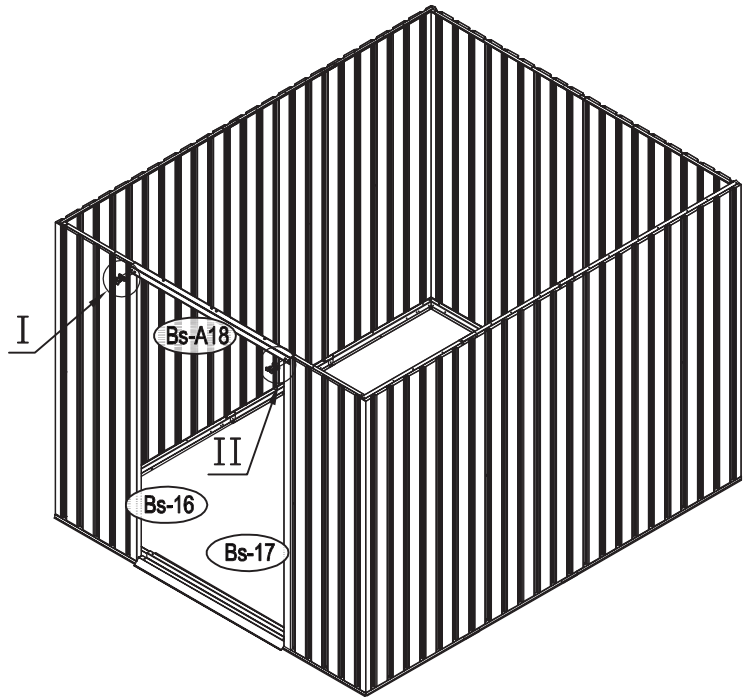
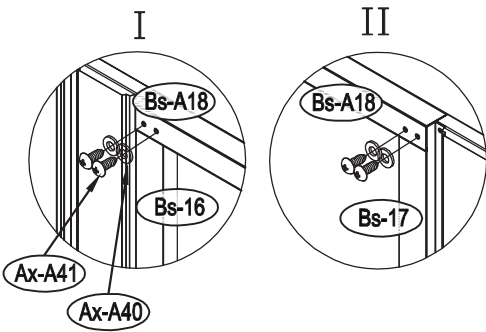
Bs-17 (x1)	
------------	--



21

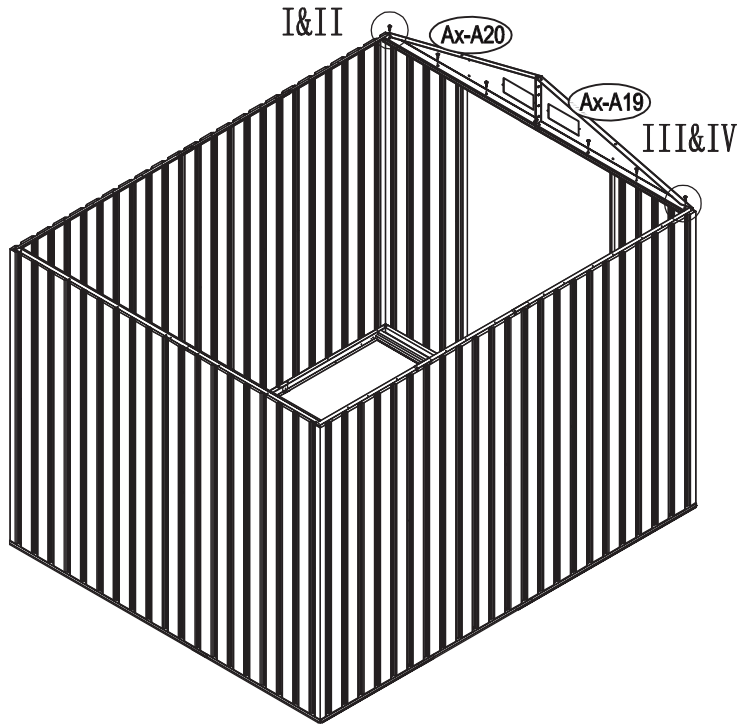
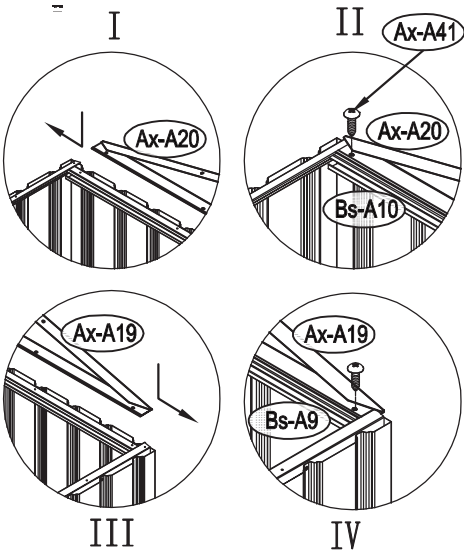


22



Bs-A18 (x1)	
-------------	--

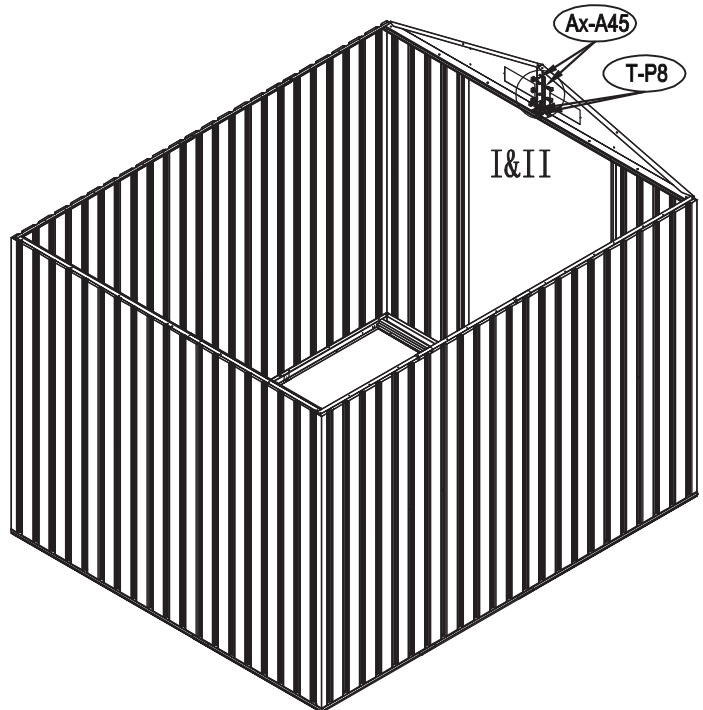
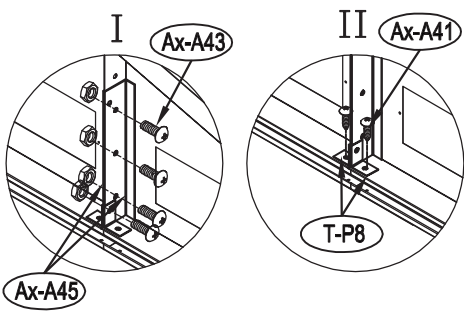
23



Ax-A19 (x1)	Ax-A20 (x1)	
-------------	-------------	--



24



Ax-A45 (x2)	T-P8 (x2)	
-------------	-----------	--

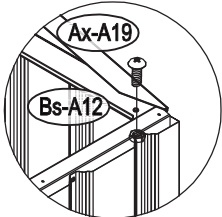
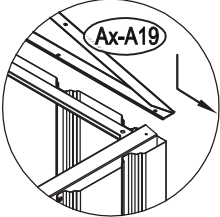
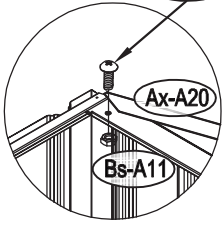
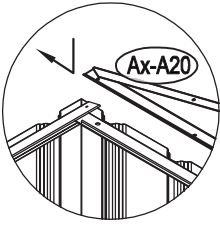


-

25

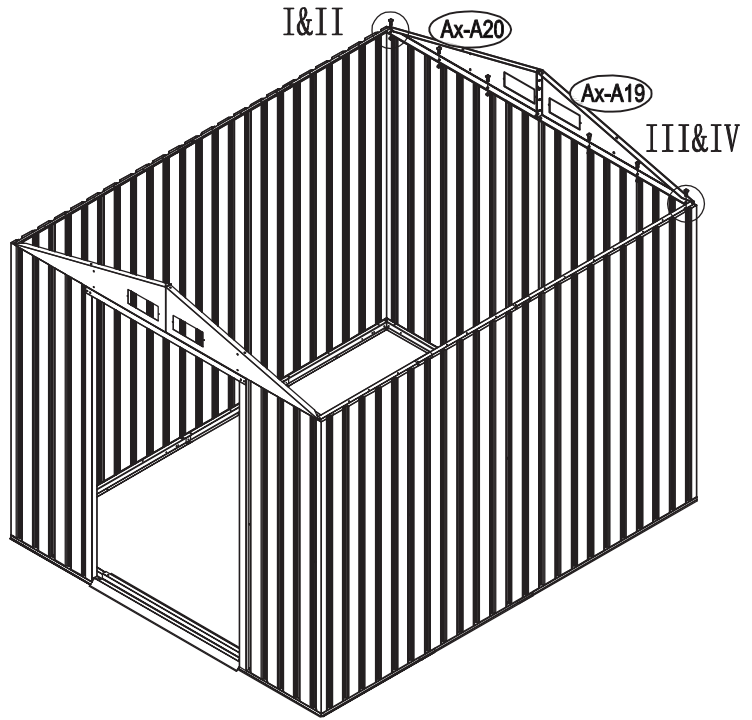
I

II



III

IV



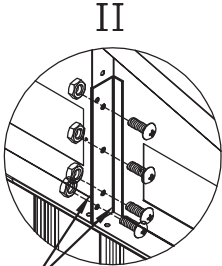
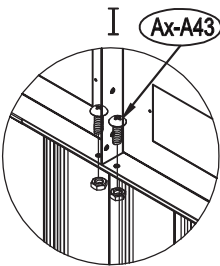
Ax-A19 (x1)	Ax-A20 (x1)	
-------------	-------------	--



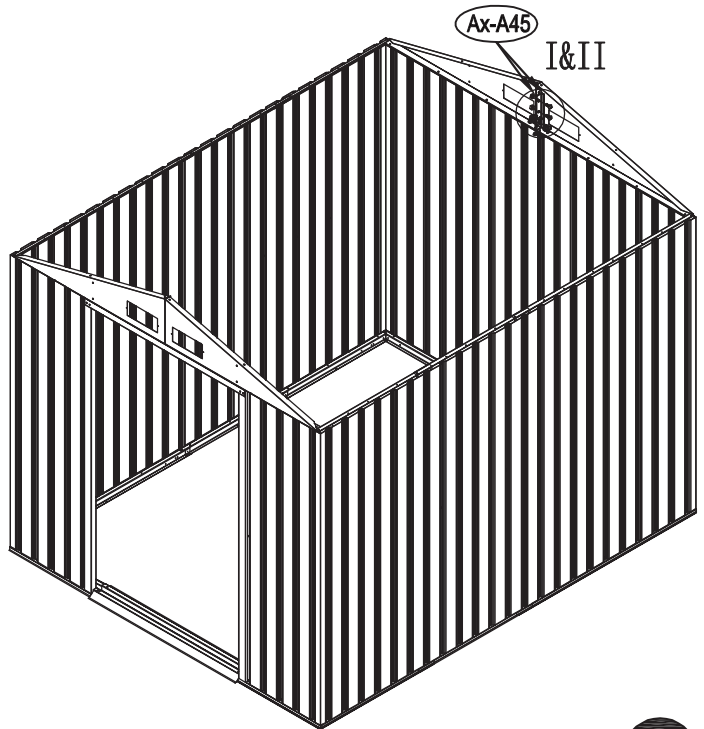
26

I

II



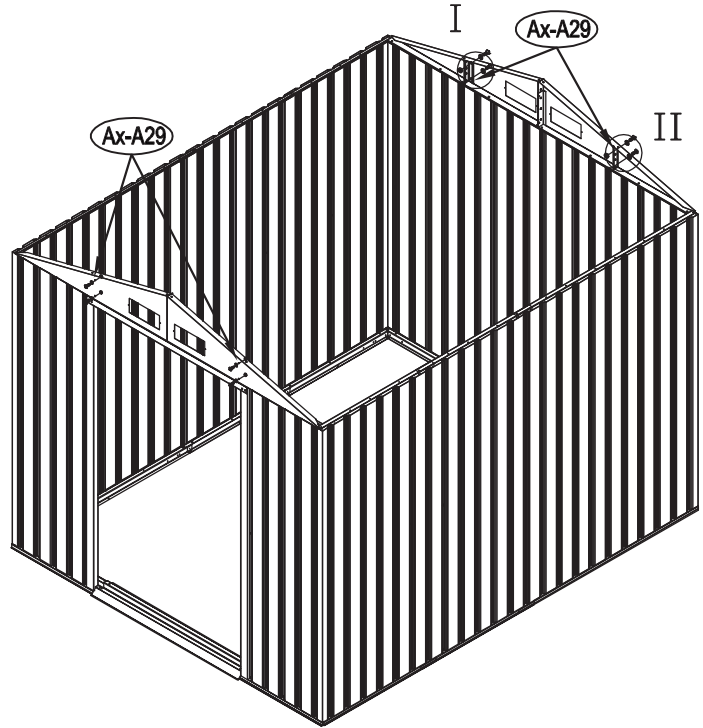
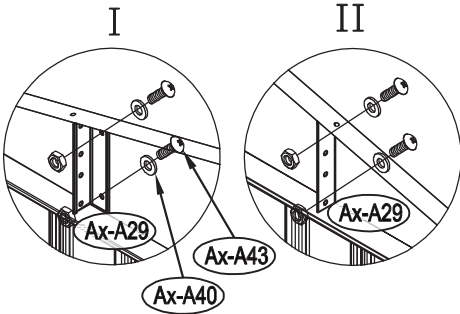
Ax-A45




Ax-A45 (x2)	
-------------	--



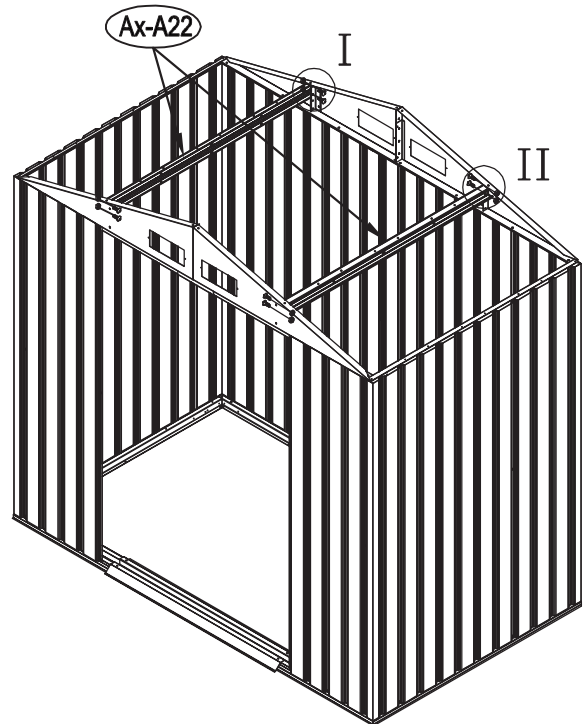
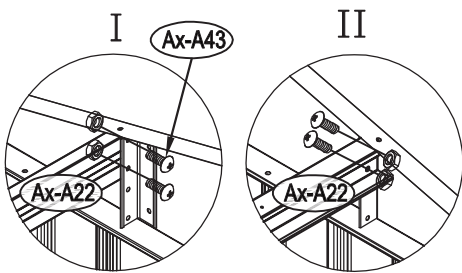
27



Ax-A29 (x4)	
-------------	--



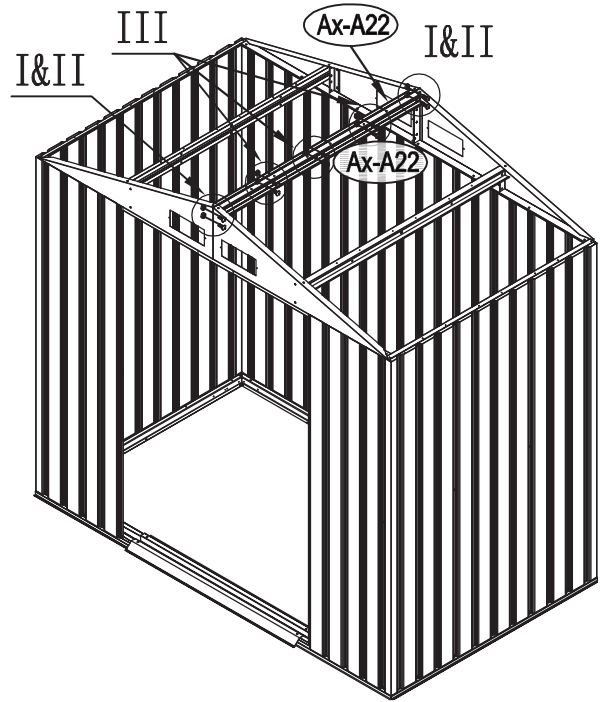
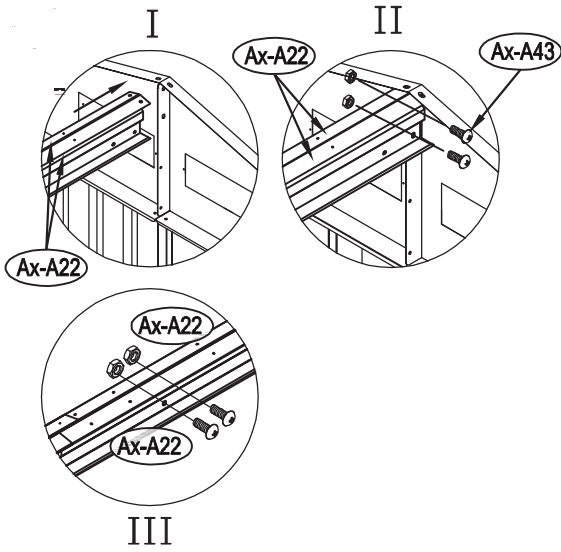
28



213x127x195cm/7x4.2x6.4Ft:	Ax-A22 (x2)	3
213x191x195cm/7x6.3x6.4Ft:	X	
213x255x195cm/7x8.4x6.4Ft:	X	



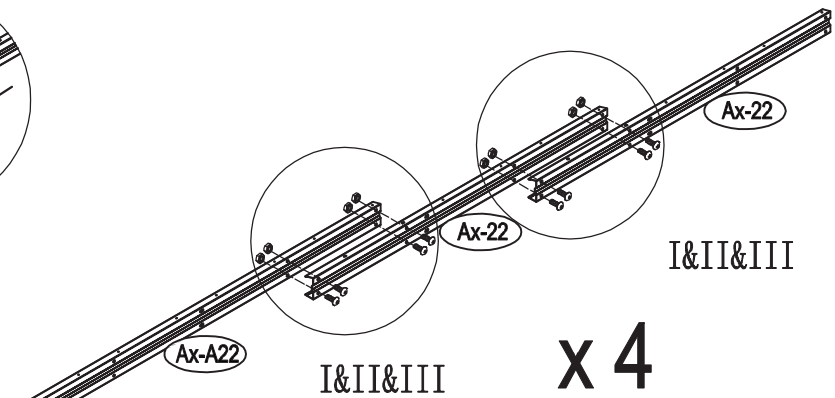
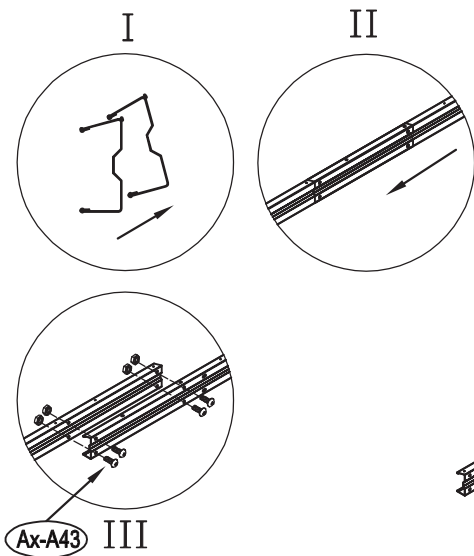
29



213x127x195cm/7x4.2x6.4Ft:	Ax-A22 (x2)	3
213x191x195cm/7x6.3x6.4Ft:	X	
213x255x195cm/7x8.4x6.4Ft:	X	



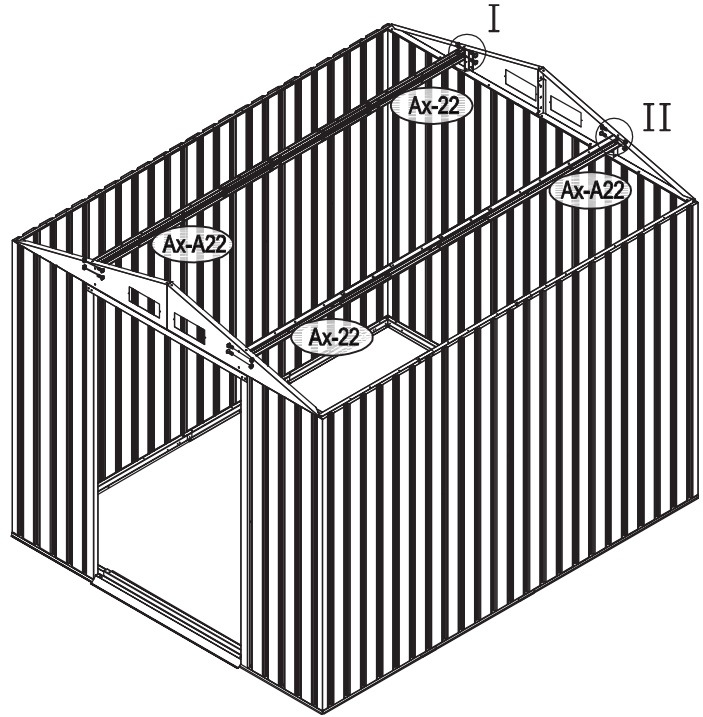
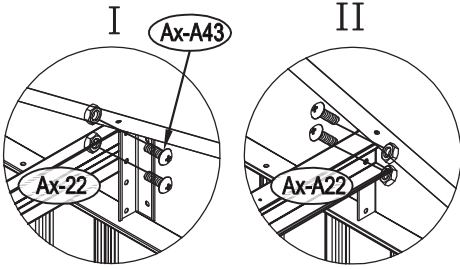
30



213x127x195cm/7x4.2x6.4Ft:	X	X	3
213x191x195cm/7x6.3x6.4Ft:	Ax-A22 (x1)	Ax-22 (x1)	
213x255x195cm/7x8.4x6.4Ft:	Ax-A22 (x1)	Ax-22 (x2)	



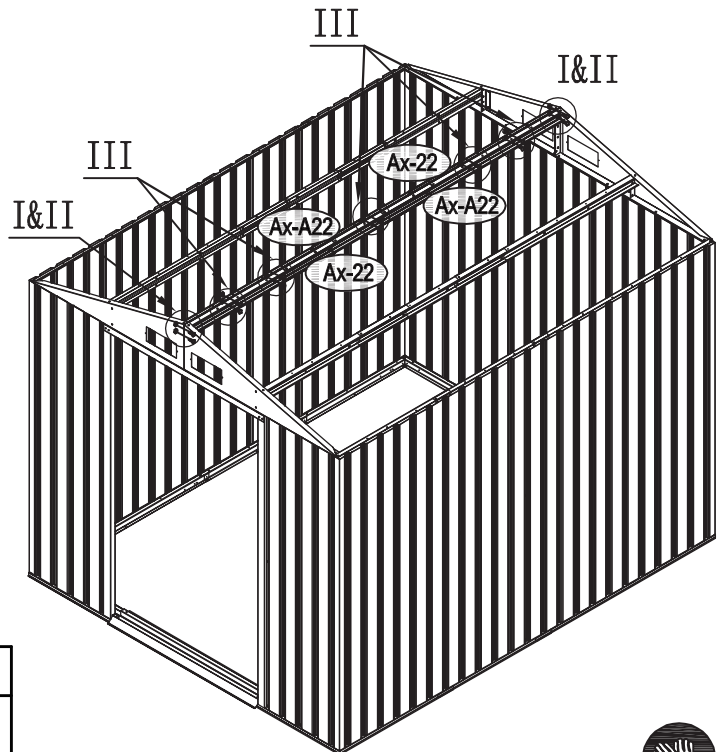
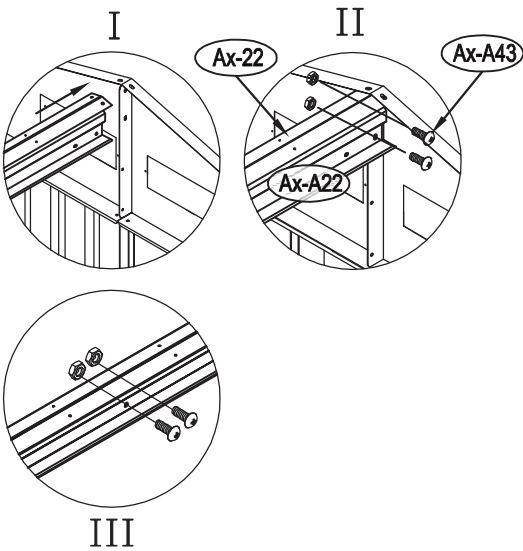
31



213x127x195cm/7x4.2x6.4Ft:	✗
213x191x195cm/7x6.3x6.4Ft:	✓
213x255x195cm/7x8.4x6.4Ft:	✓



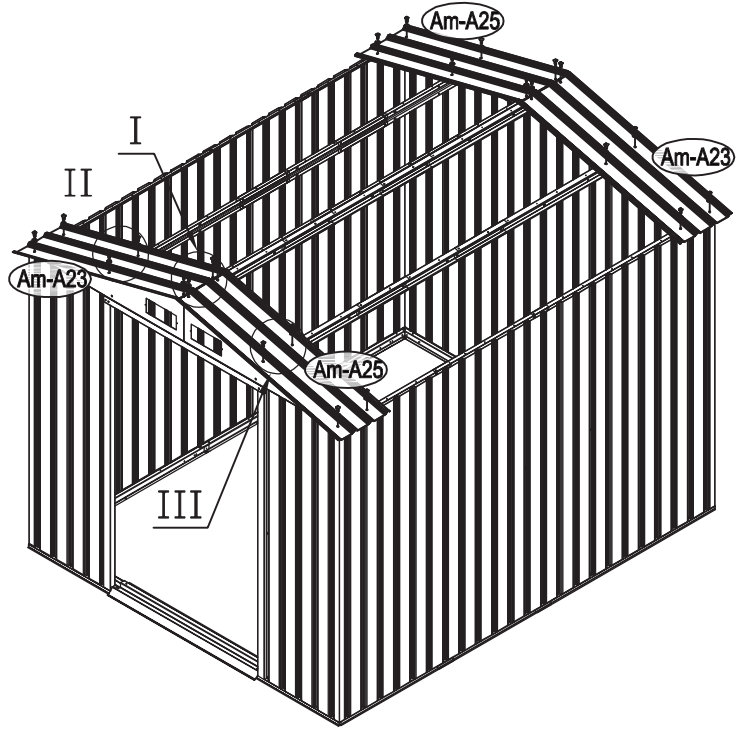
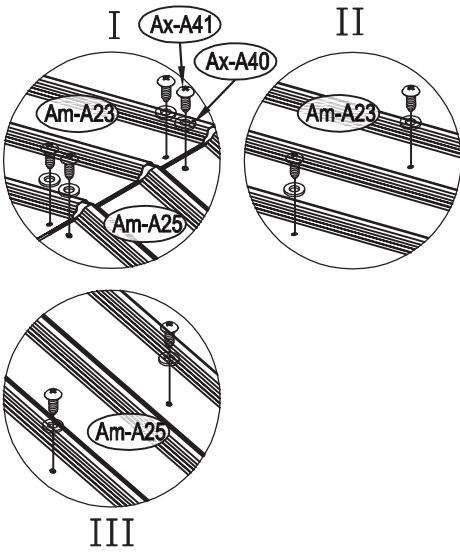
32



213x127x195cm/7x4.2x6.4Ft:	✗
213x191x195cm/7x6.3x6.4Ft:	✓
213x255x195cm/7x8.4x6.4Ft:	✓



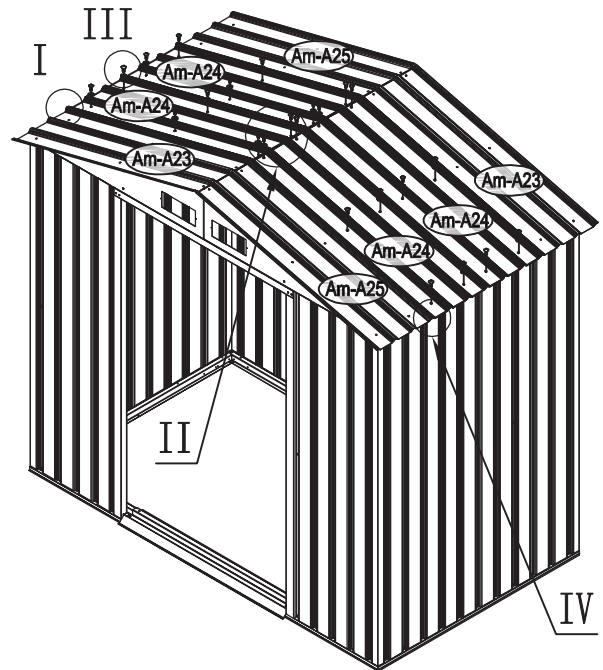
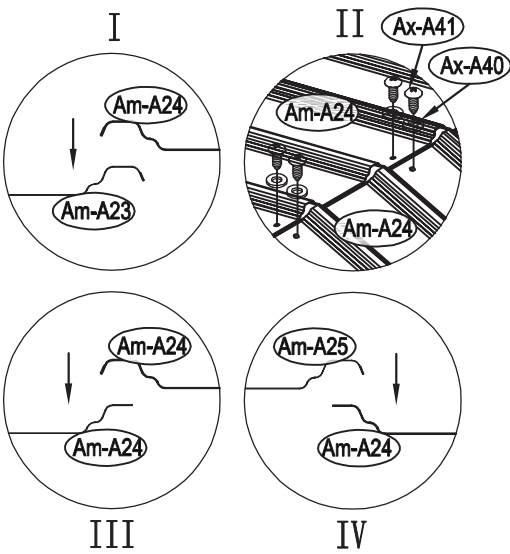
33



Am-A23 (x2) Am-A25 (x2)



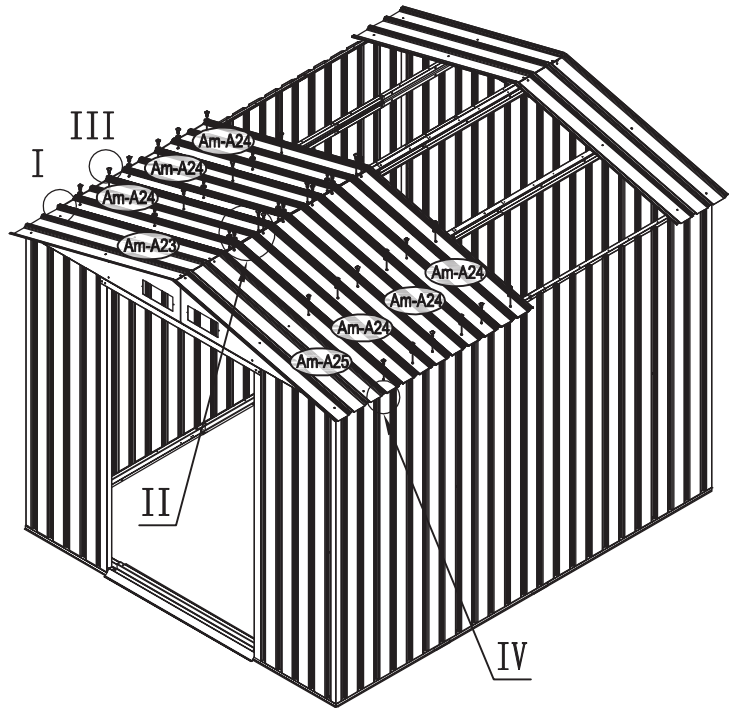
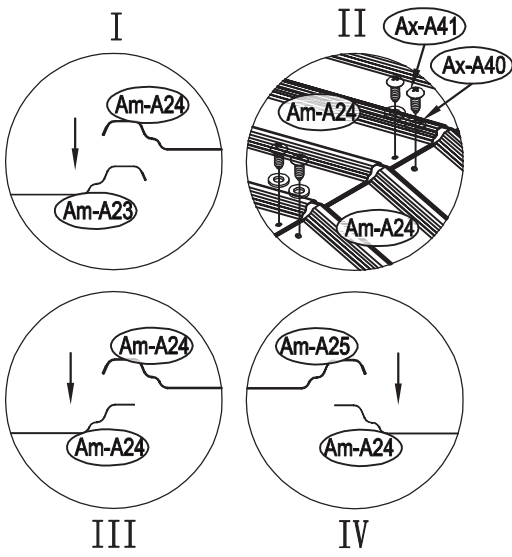
34



213x127x195cm/7x4.2x6.4Ft:	Am-A24 (x4)	
213x191x195cm/7x6.3x6.4Ft:	X	
213x255x195cm/7x8.4x6.4Ft:	X	



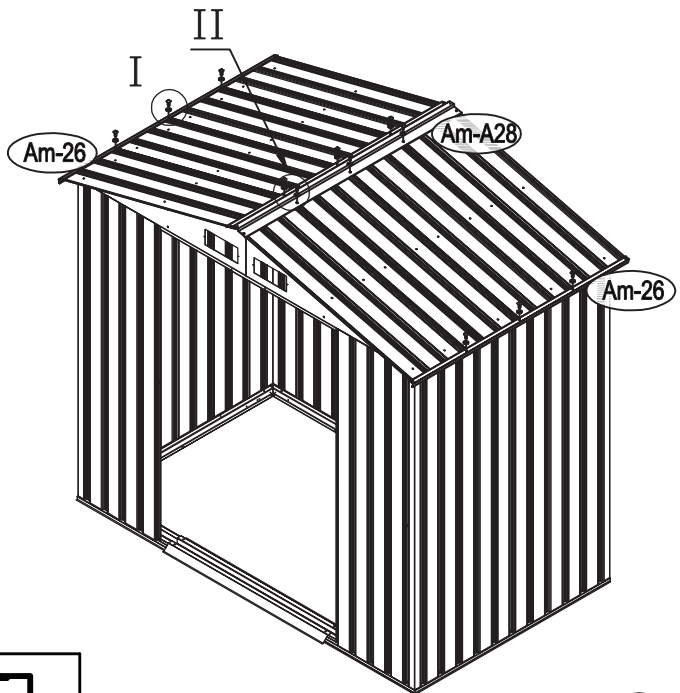
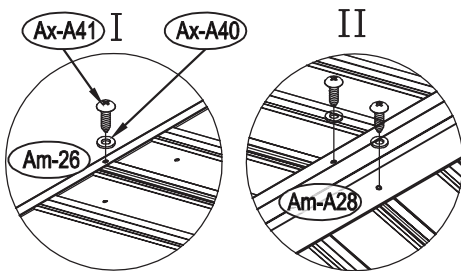
35



213x127x195cm/7x4.2x6.4Ft:	X	Am-A24 (x6)	
213x191x195cm/7x6.3x6.4Ft:			
213x255x195cm/7x8.4x6.4Ft:			



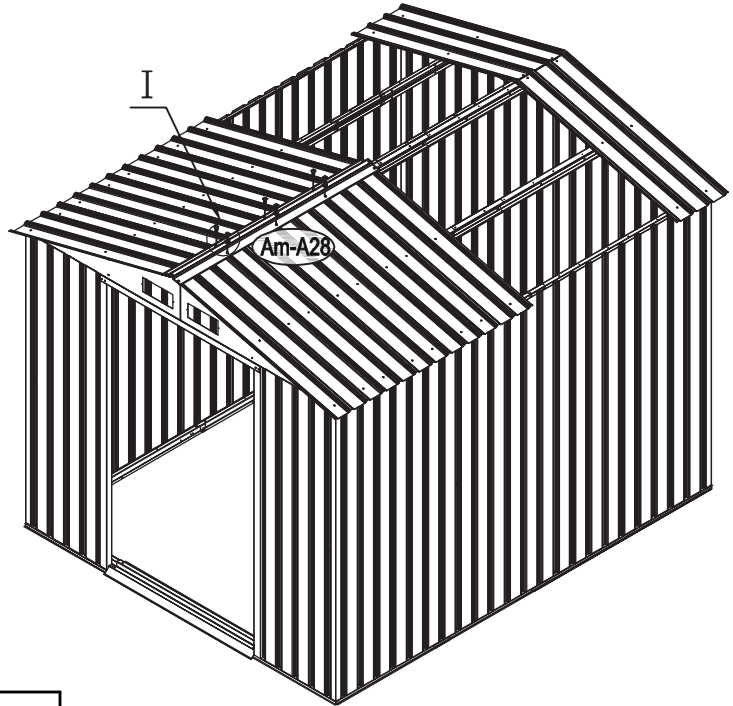
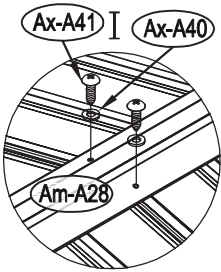
36



213x127x195cm/7x4.2x6.4Ft:	Am-26 (x2)	Am-28 (x1)	
213x191x195cm/7x6.3x6.4Ft:	X	X	
213x255x195cm/7x8.4x6.4Ft:	X	X	



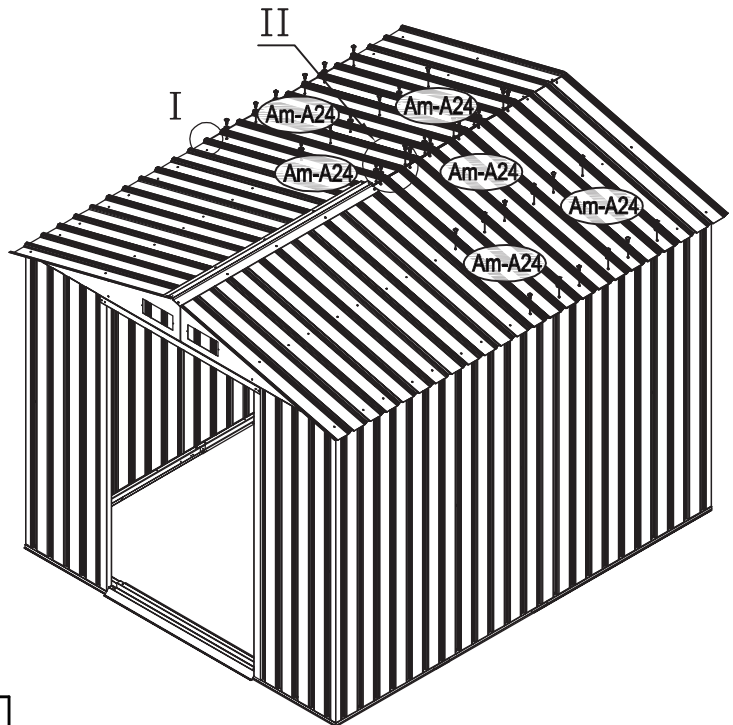
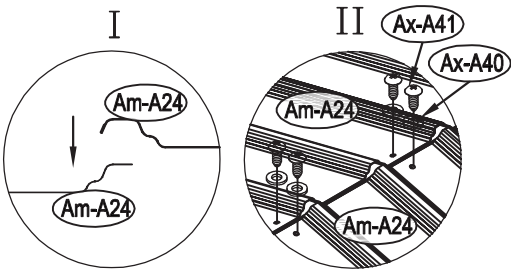
37



213x127x195cm/7x4.2x6.4Ft:	×	
213x191x195cm/7x6.3x6.4Ft:	Am-A28 (x1)	
213x255x195cm/7x8.4x6.4Ft:		



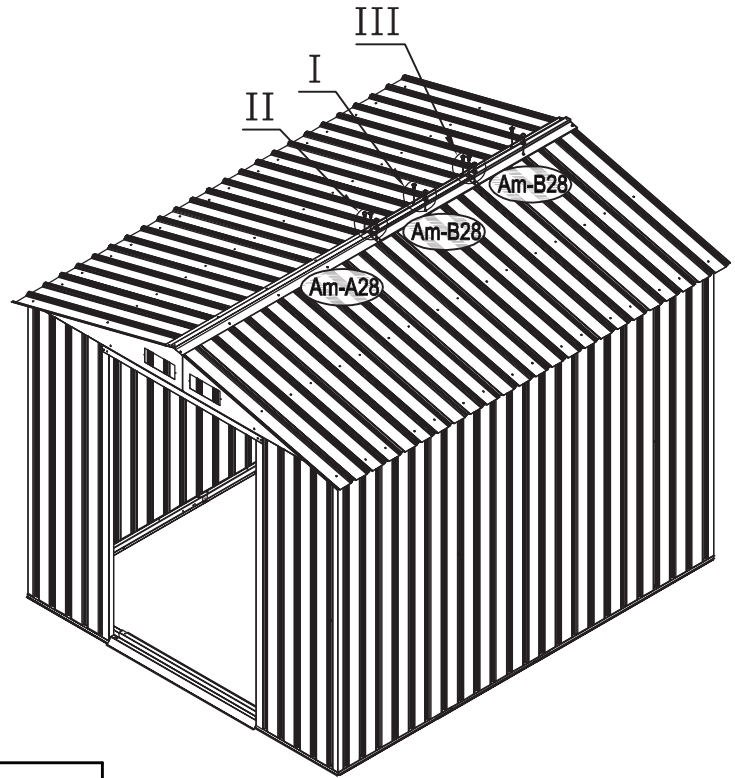
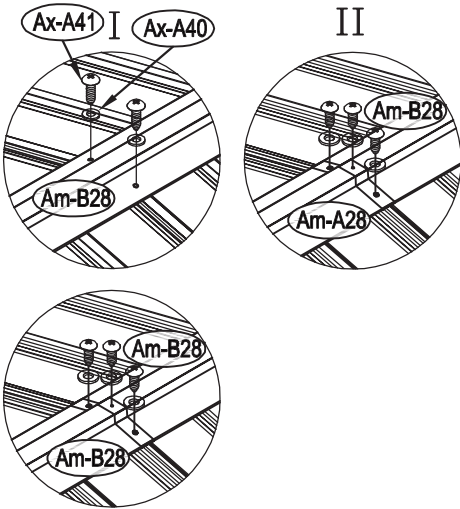
38



213x127x195cm/7x4.2x6.4Ft:	×	
213x191x195cm/7x6.3x6.4Ft:	Am-A24 (x2)	
213x255x195cm/7x8.4x6.4Ft:	Am-A24 (x6)	



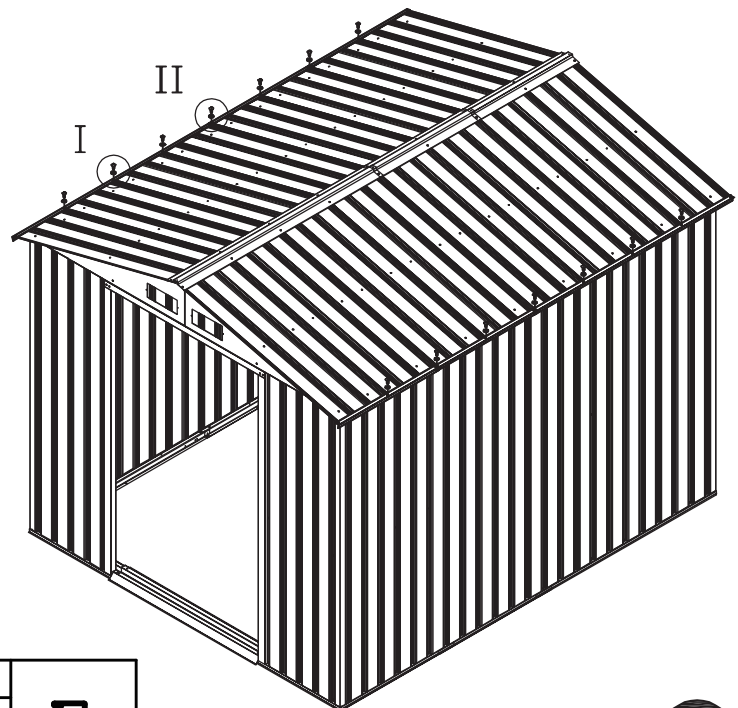
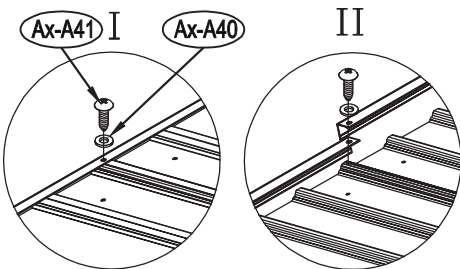
39



213x127x195cm/7x4.2x6.4Ft:	X	
213x191x195cm/7x6.3x6.4Ft:	Am-B28 (x1)	
213x255x195cm/7x8.4x6.4Ft:	Am-B28 (x2)	



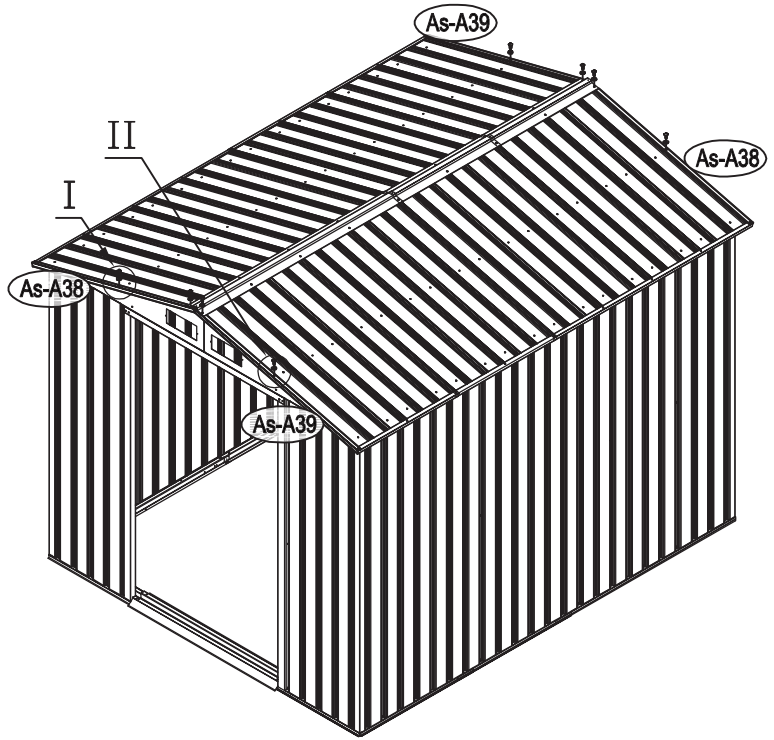
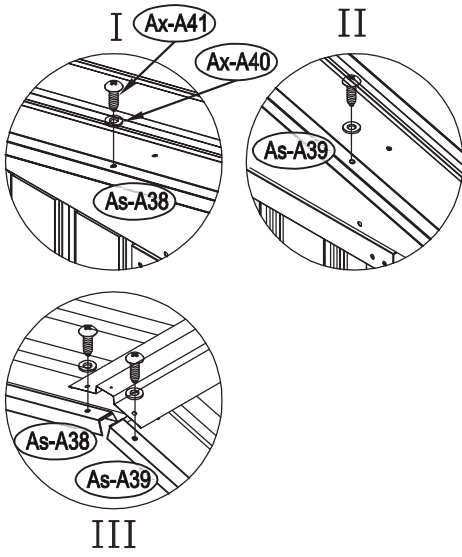
40



213x127x195cm/7x4.2x6.4Ft:	X	X	
213x191x195cm/7x6.3x6.4Ft:	Am-26 (x2)	Am-27 (x2)	
213x255x195cm/7x8.4x6.4Ft:		Am-27 (x4)	



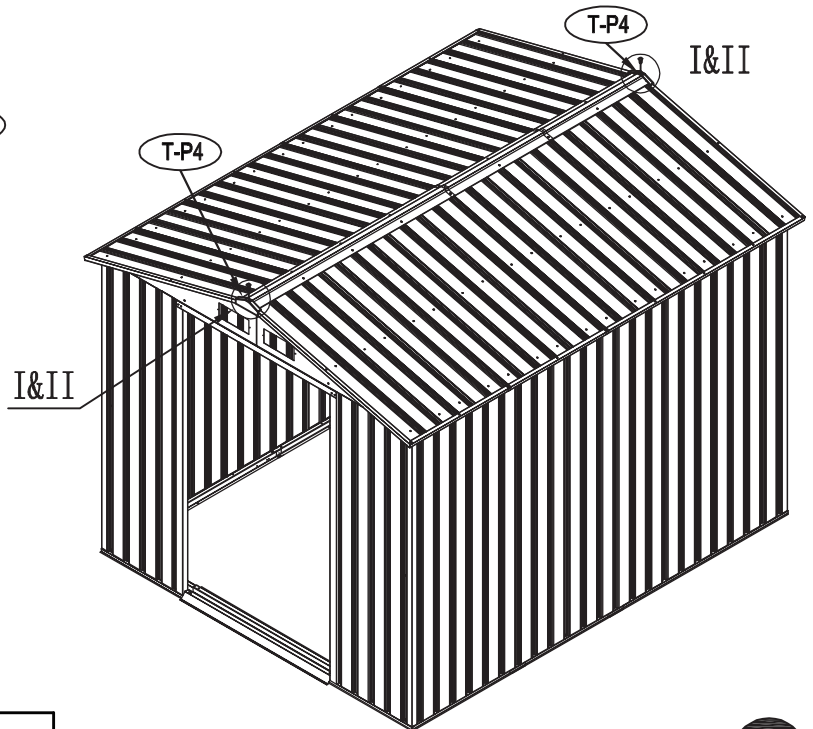
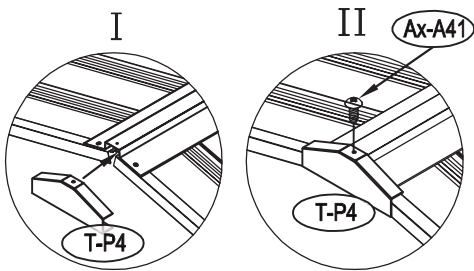
41



As-A38 (x2)	As-A39 (x2)	
-------------	-------------	---



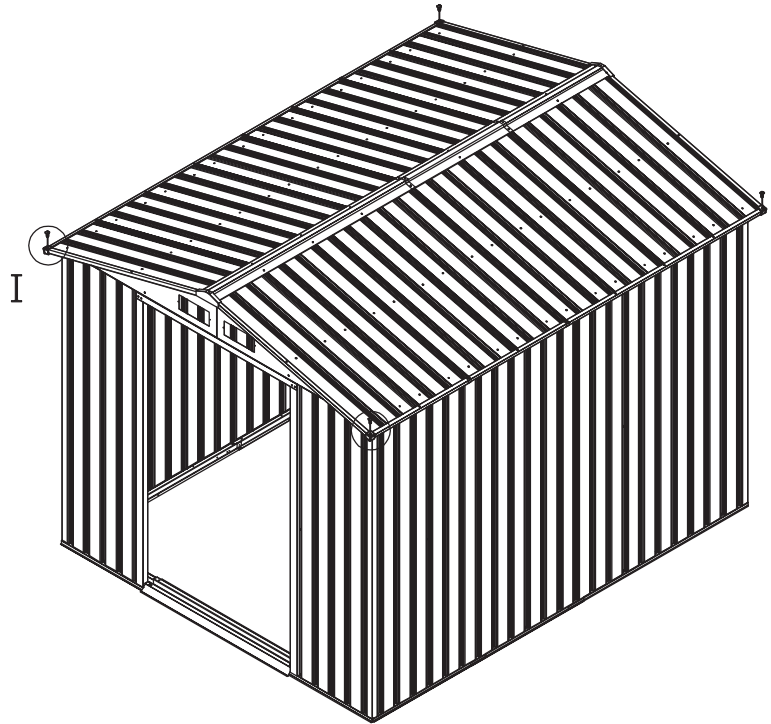
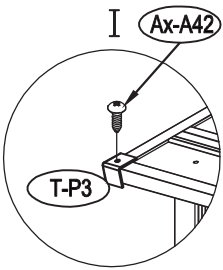
42



T-P4 (x2)	
-----------	---



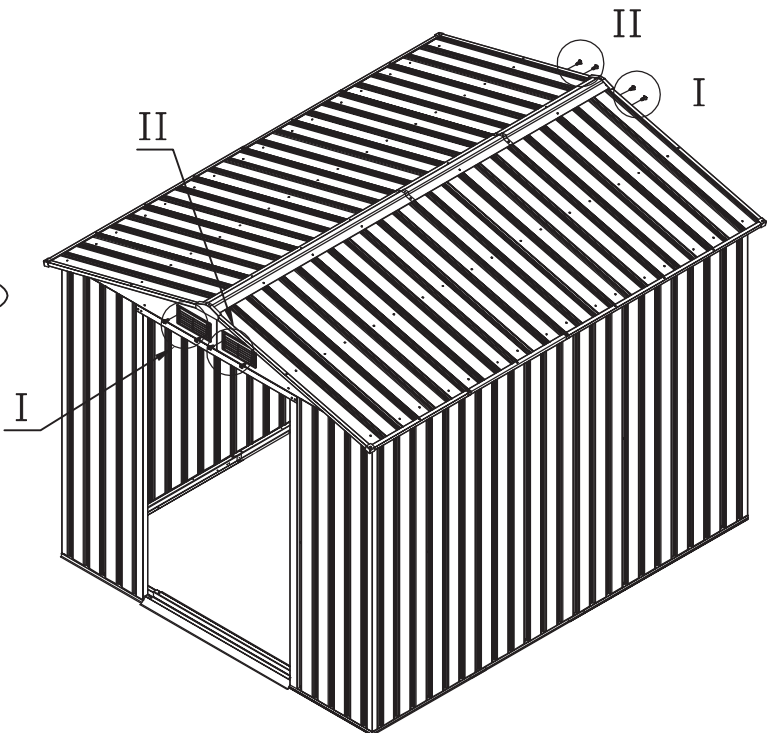
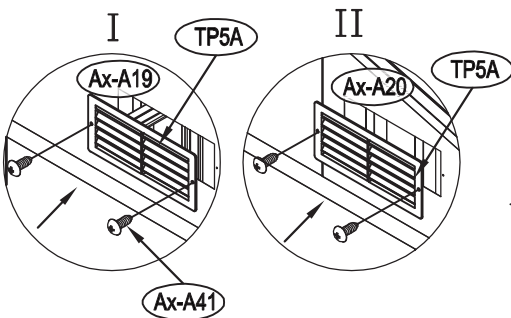
43



T-P3 (x4)	
-----------	--



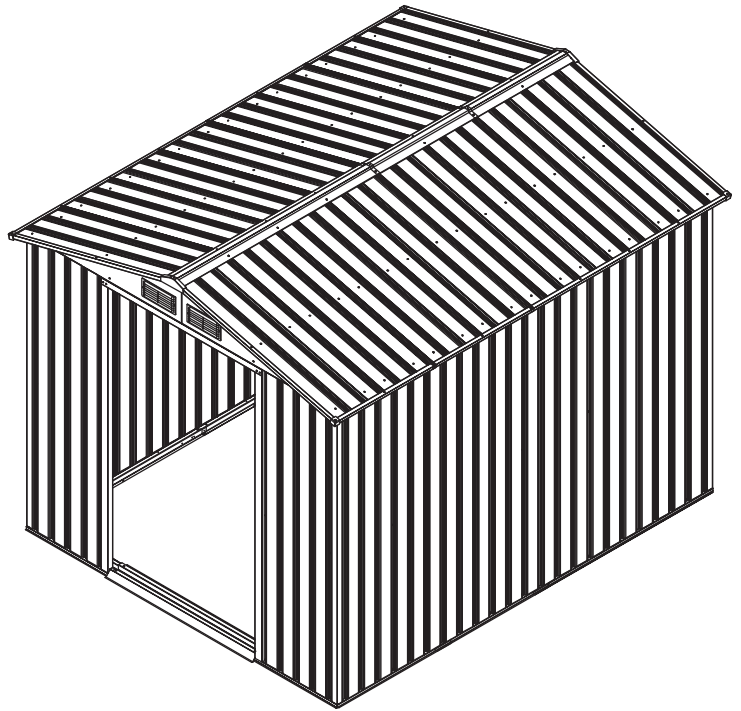
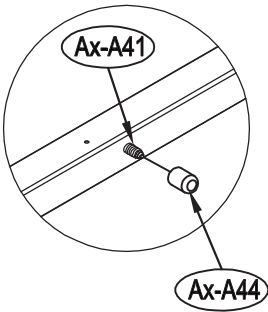
44



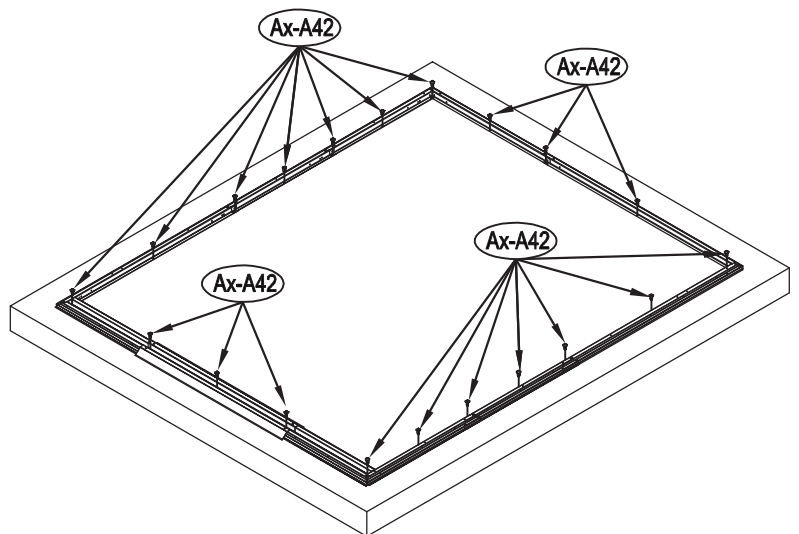
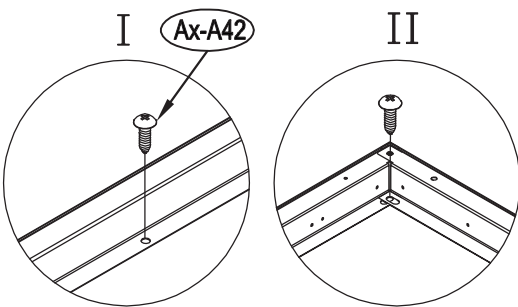
T-P4 (x4)	
-----------	--

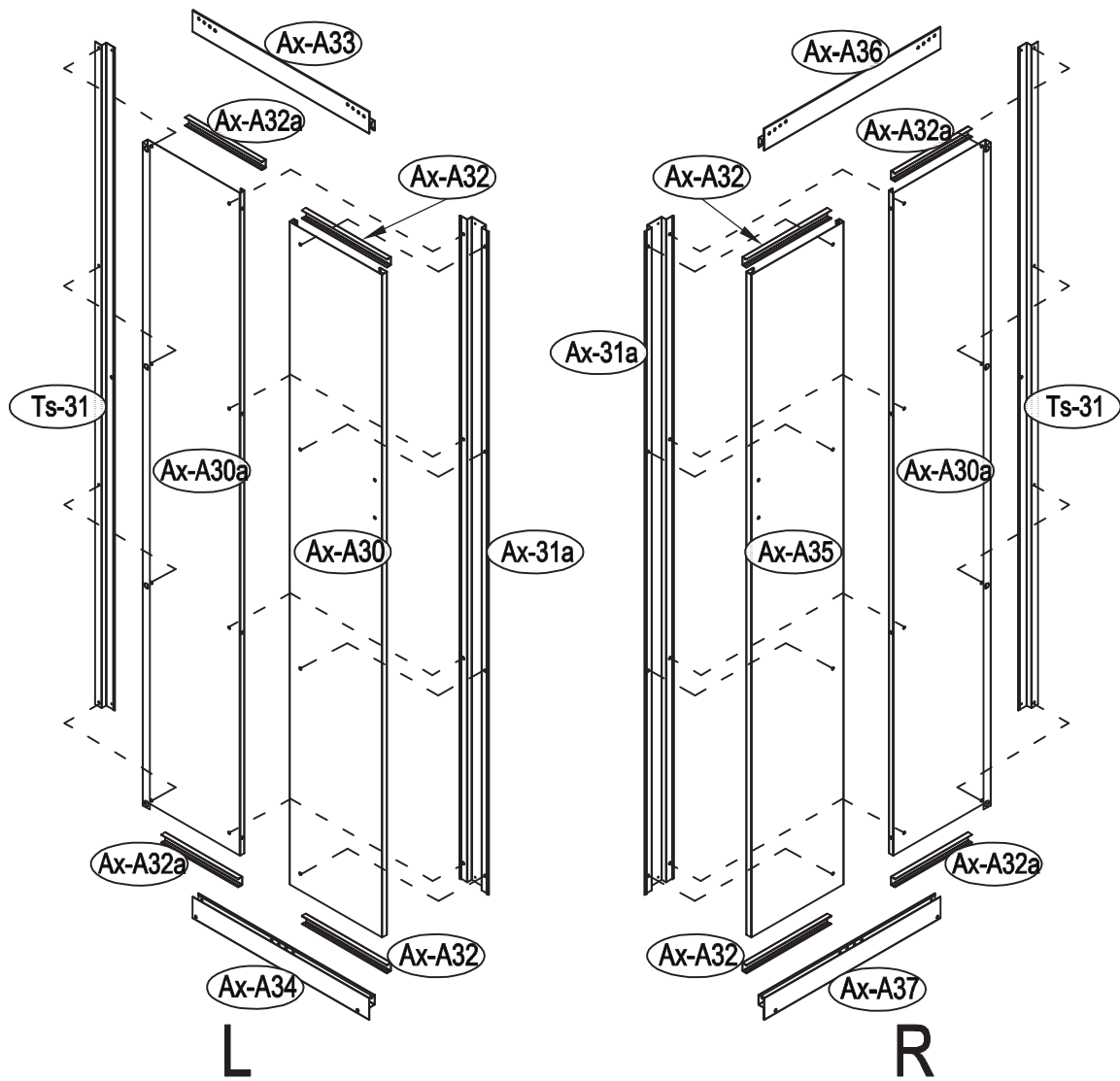


45

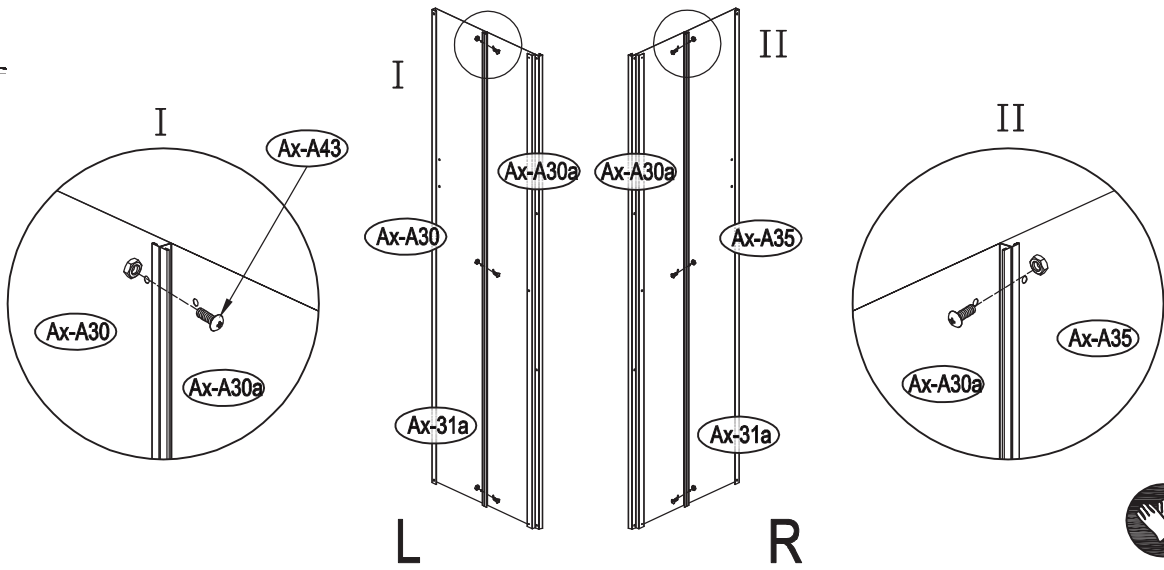


46

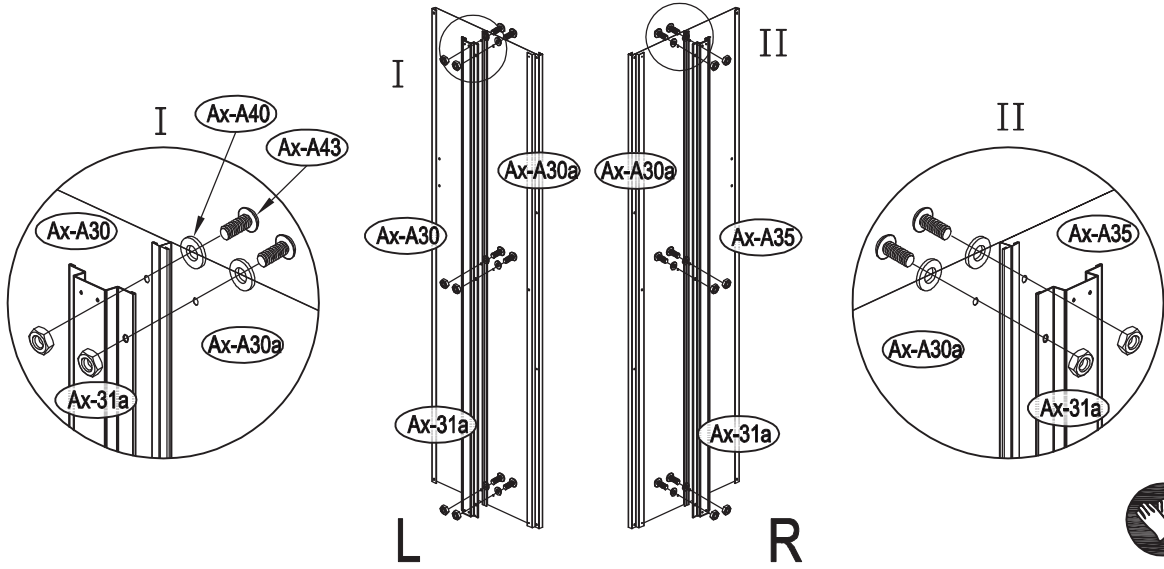




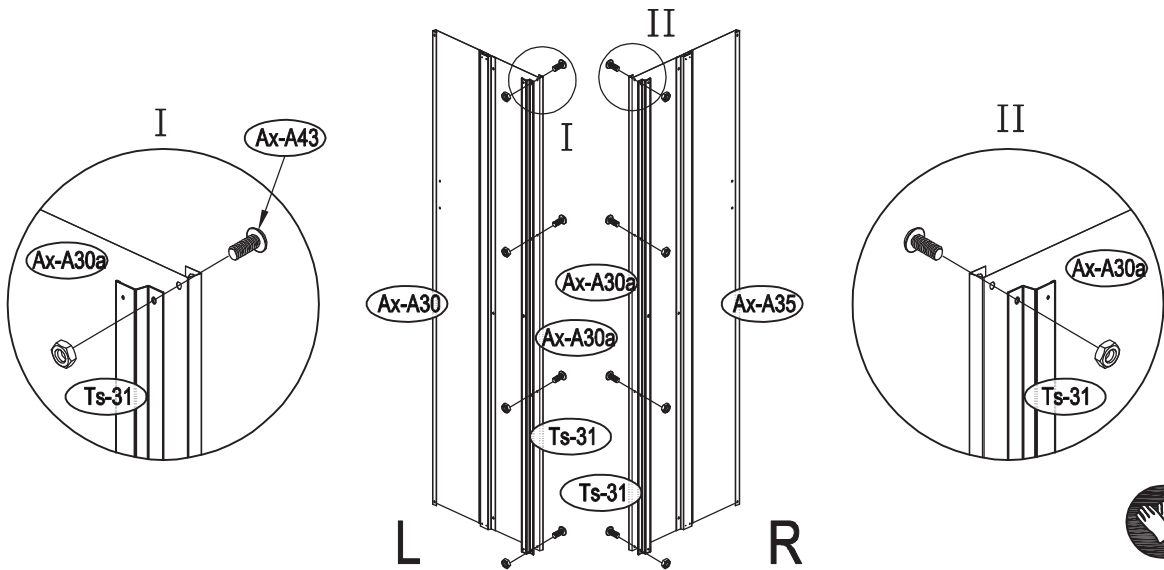
1



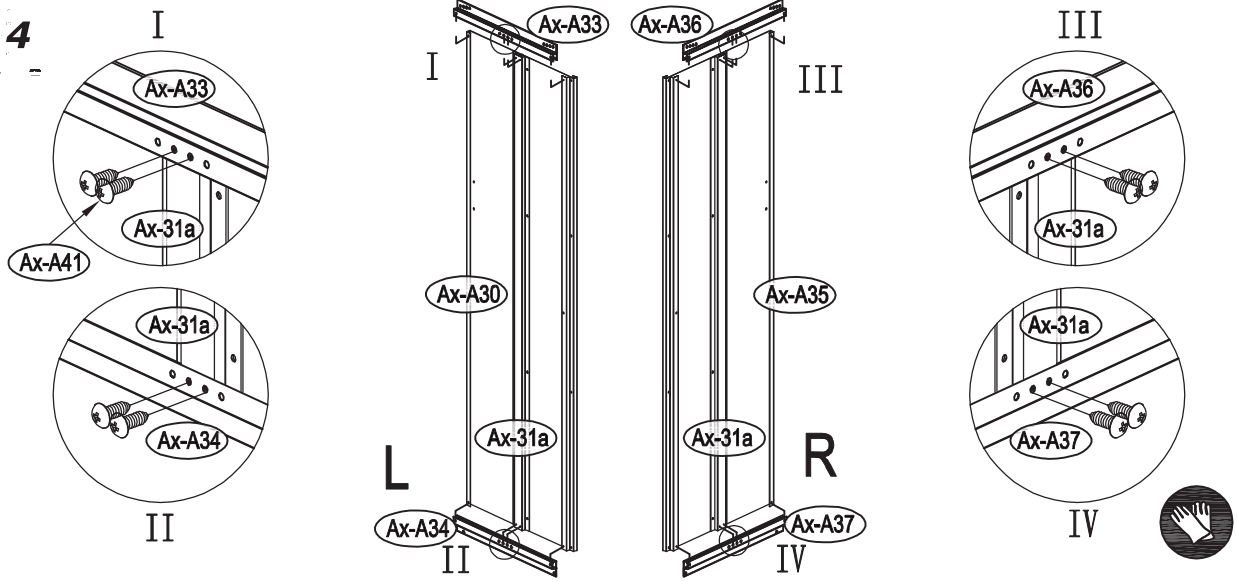
2



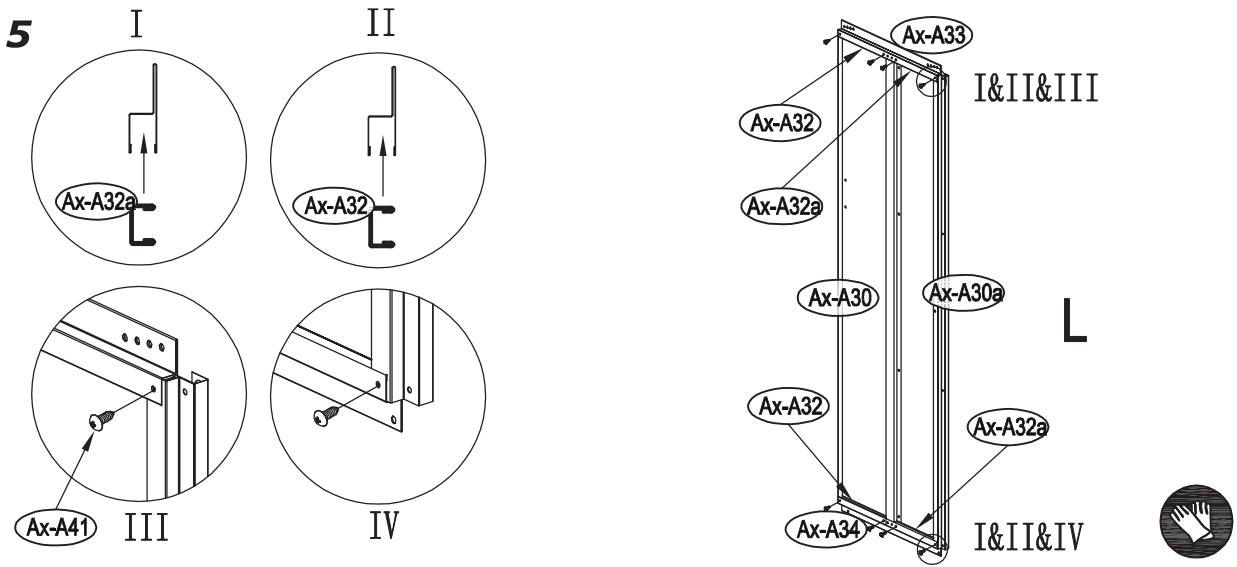
3



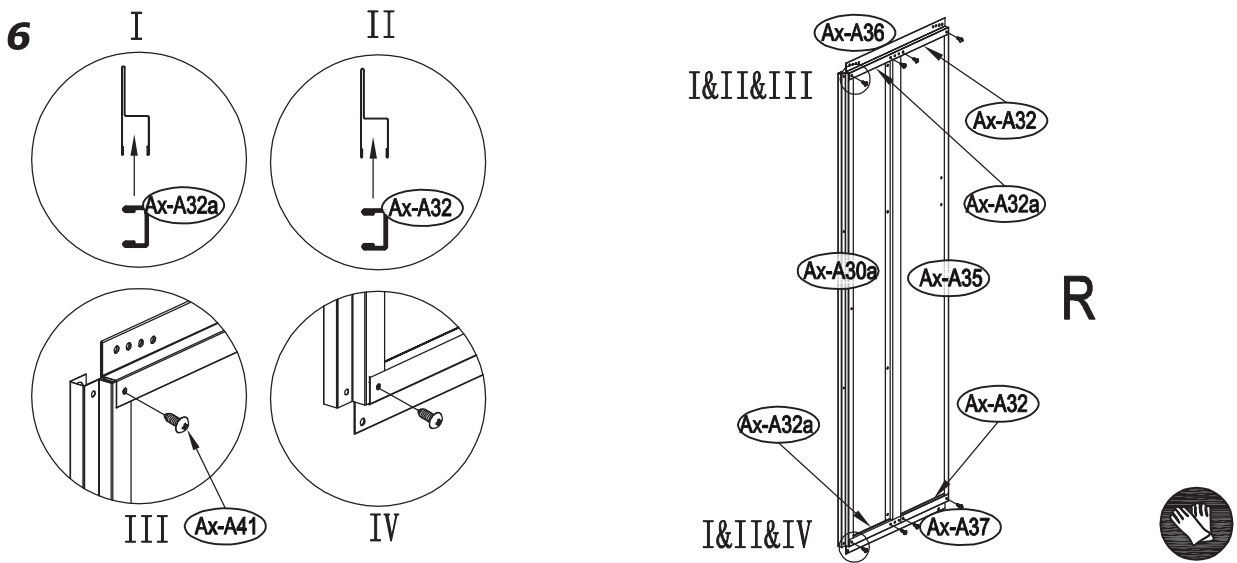
4



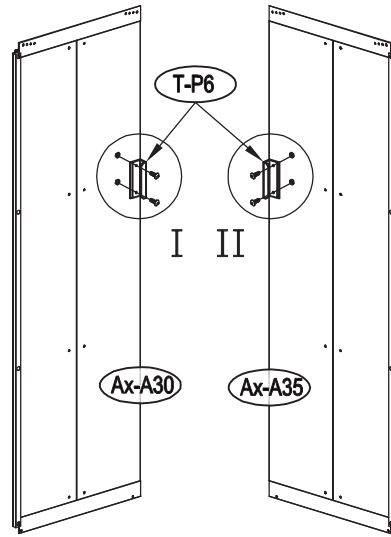
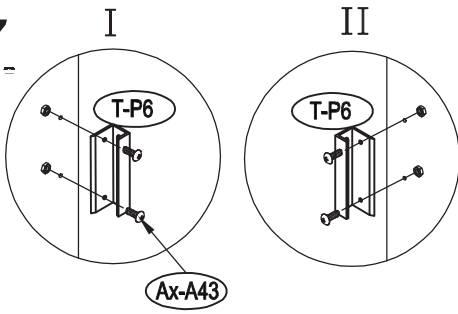
5



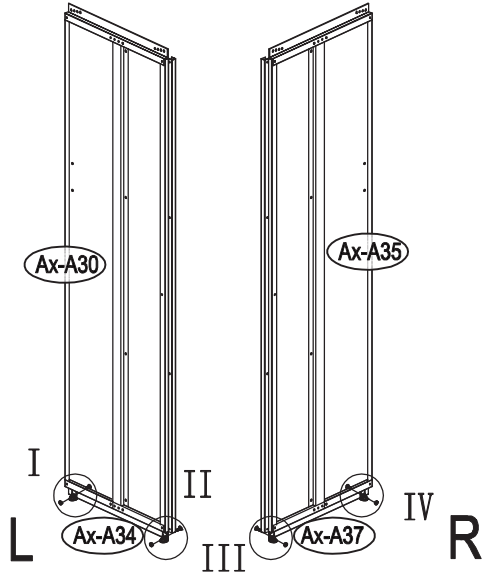
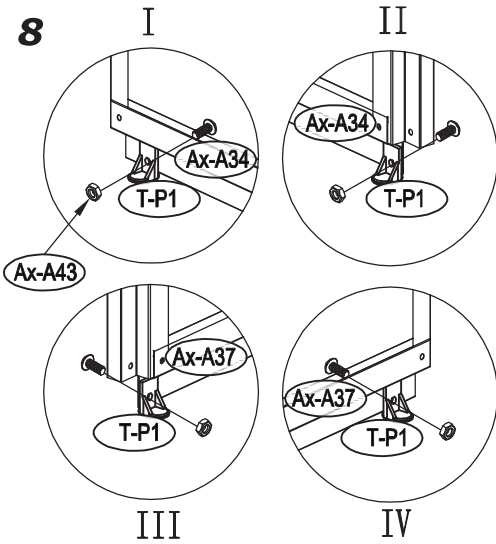
6



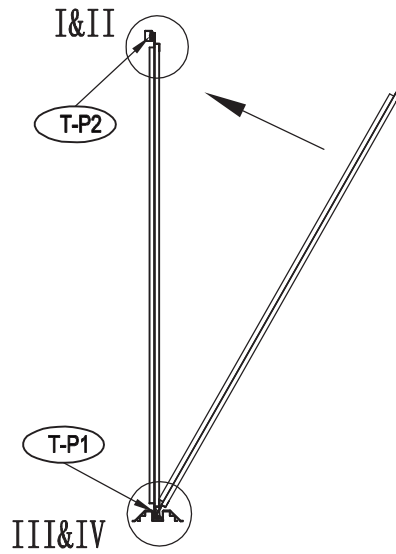
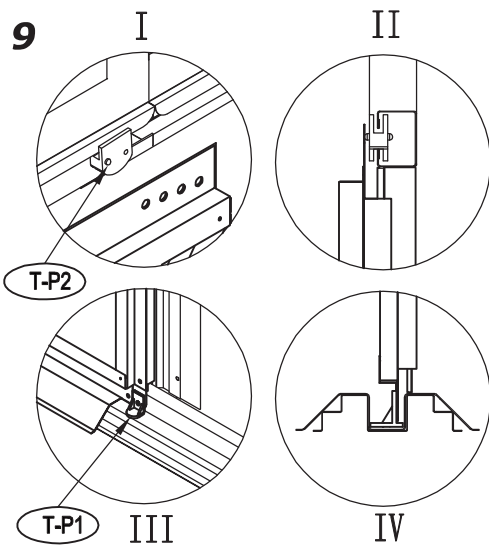
7



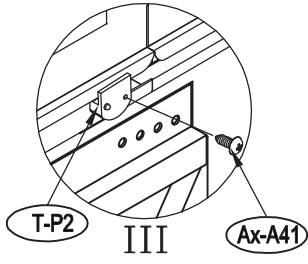
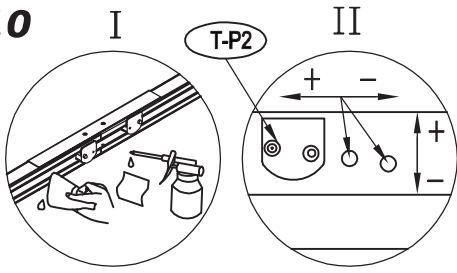
8



9



10



I&II&III

