

HISENSE REFRIGERATOR

Hisense

RT210N3SWEH

Standard Depth Top-Freezer Refrigerator

ENERGY STAR® Certified

Ice Maker Ready

Garage Ready

Flexible Storage

Gallon Door Storage

Ultra Crisper Drawer

AVAILABLE COLORS



White



Black



Fingerprint-Resistant Stainless Steel



TECHNICAL SPECIFICATIONS

PERFORMANCE

Refrigerator (cu. ft.)	15.8
Freezer (cu. ft.)	5.4
Total Capacity (cu. ft.)	21.2
ENERGY STAR® Certified	Yes
Energy Consumption (kWh/Year)	394
Safety Listing	UL Safety Listing

ICE & WATER SYSTEM

Automatic Ice Maker	Optional (Sold Separately)
Ice Maker Kit	HIMT60G02
Ice Maker Manual	1 Level 1 Tray
Ice type	Cubed
Daily Ice Production	2.9 lbs
Ice Storage Capacity	4.4 lbs
Water Inlet Pressure	207~700kPa

COOLING SYSTEM

Temperature Sensors	2
Compressor Type	Durable Inverter
Refrigerant (Type and Volume)	R600a/2.54oz(72g)
Evaporator	1

CONVENIENCE

Display Type	Internal/ Knob Dial
Temperature Controls	Electronic/ Manual
Auto Closing Door Hinge	Yes
Leveling Legs	Yes
Demo Mode	No
Gallon Door Storage	Yes
Garage Ready	Yes (38°F~110°F)
Noise Level (dB)	43

REFRIGERATOR

Product Type	Top Mount
Door Type	Side Swing
No. of Shelves	2 Adjustable Glass
Shelf Construction	Tempered Glass
Shelf Trim	Grey Décor
No. of Crisper Drawers	1 Large Crisper
LED Lighting	Yes (Ceiling)
No. of Door Bins	3 (2 Gallon, 1 Half)
Door Bin Construction	1 Piece (Clear)

FREEZER

Door Type	Side Swing
No. of Shelves	1 Adjustable Glass
Shelf Construction	Tempered Glass
Shelf Trim	Grey Décor
LED Lighting	No
No. of Door Bins	2
Door Bin Construction	1 Piece (Clear)

MATERIALS AND FINISHES

Door Style	Flat
Door Texture	Smooth
Handle Type	Integrated
Hidden Hinges	Yes
Toe Grille	No
Reversible Door	Yes
Cabinet Color	White
Inner Liner Color	White

INSTALLATION DIMENSION

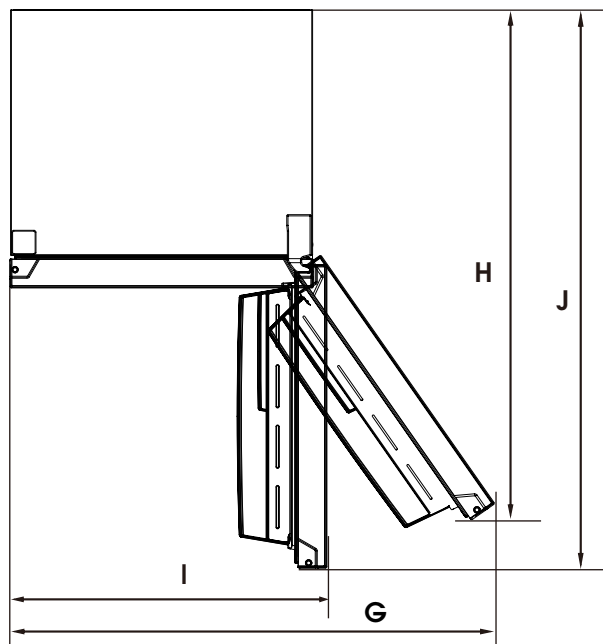
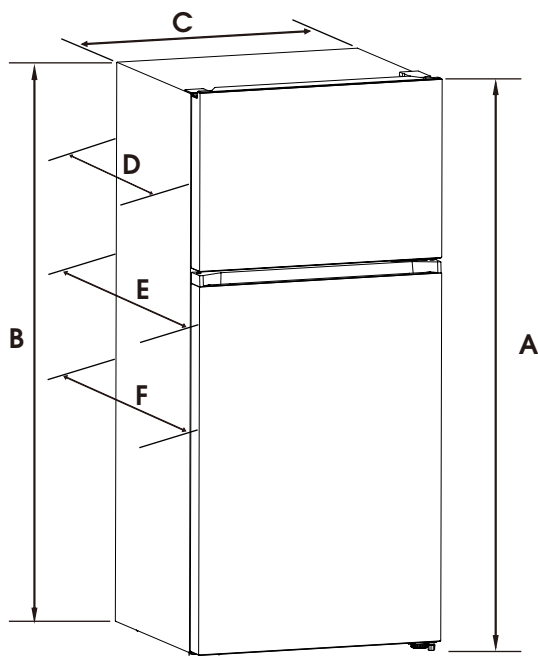
Product (W x H x D)	29.7*66.5*30.7"
Width (Excluding Door)	29.7"
Width (Including Door)	29.5"
Common Width	30.0"
Width (Door Open 90° Excluding Handle)	30.5"
Width (Door Open 90° Including Handle)	30.5"
Width (Door Fully Open Excluding Handle)	47.3"
Depth (Excluding Handles)	30.7"
Depth (Including Handles)	30.7"
Depth (Less Door)	27.6"
Depth (to Hinge Cover)	23.6"
Depth (Door Open 90°)	57.6"
Depth Type	Standard Depth
Height (to Top of Hinge)	66.5"
Height (to Top of Door)	66.5"
Height (to Top of Case)	65.9"
Installation Clearance	Sides 3.9", Top 3.9", Back 3"
Carton (W x H x D)	30.6*69.2*32.7"
Weight (Unit/ Carton)	161lbs./ 179lbs.

UNLIMITED WARRANTY

Warranty	2-Year limited
Parts & Labor	2 Years
Sealed System (Parts)	5 Years
Accessories	90 Days for Parts

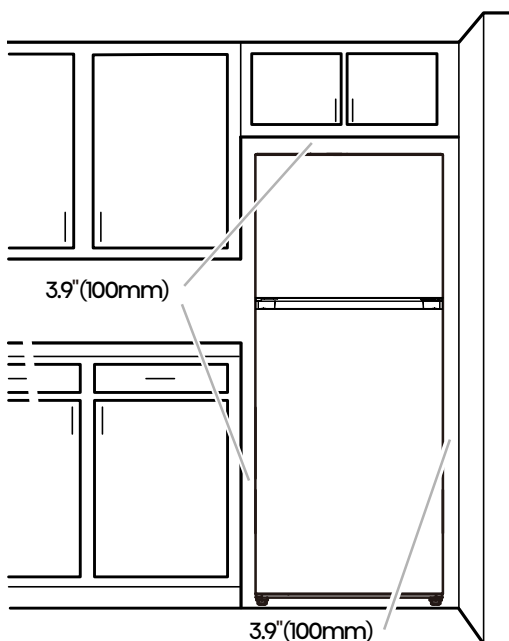
UPC CODES

RT210N3SWEH (White)	850081340256
RT210N3SBEH (Black)	850081340263
RT210N3SSEH (Fingerprint-Resistant Stainless Steel)	850081340270



Model	Capacity	Height-Overall "A"	Height-Top of Cabinet "B"	Width-Cabinet "C"	Depth-with Cabinet "D"	Depth-with Handle "E"	Depth-with Door "F"	Width-Doors Open 125° "G"	Depth-Doors Open 125° "H"	Width-Doors Open 90° "I"	Depth-Doors Open 90° "J"
RT180N3S*EH	18.1 cu.ft	66.5" (1690mm)	65.9" (1674mm)	29.7" (754mm)	24.0" (610mm)	27.2" (690mm)	27.2" (690mm)	47.3 (1201mm)	49.1" (1246mm)	30.5" (775mm)	54.0" (1372mm)
RT210N3S*EH	21.2 cu.ft	66.5" (1690mm)	65.9" (1674mm)	29.7" (754mm)	27.6" (700mm)	30.7" (780mm)	30.7" (780mm)	47.3 (1201mm)	52.6" (1336mm)	30.5" (775mm)	57.6" (1462mm)

LOCATION REQUIREMENTS



To ensure proper ventilation for your refrigerator, allow for a 3.9"(100mm) space on each side and at the top.
 Allow at least 3.0"(76mm) between back of cabinet and the wall.
 If your refrigerator has an ice maker, allow extra space at the back for the water line connections.

If you are installing your refrigerator next to a fixed wall, leave 3.9"(100mm) minimum on the hinge side (some models require more) to allow for the door to swing open.

NOTE: This refrigerator is intended for use in a location where the temperature ranges from a minimum of 55F(13°C) to a maximum of 110°F(43°C).