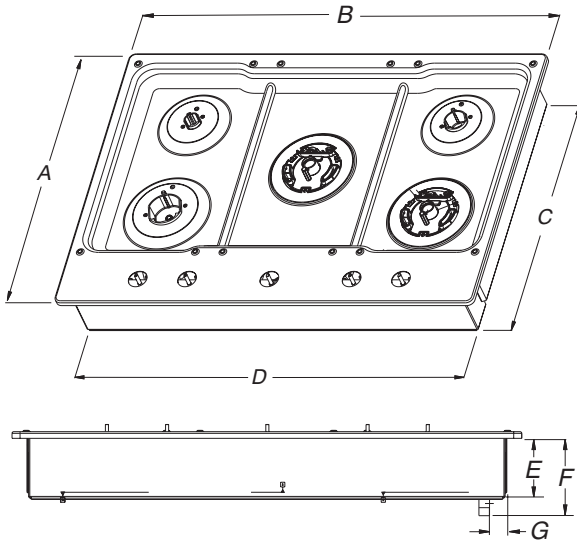


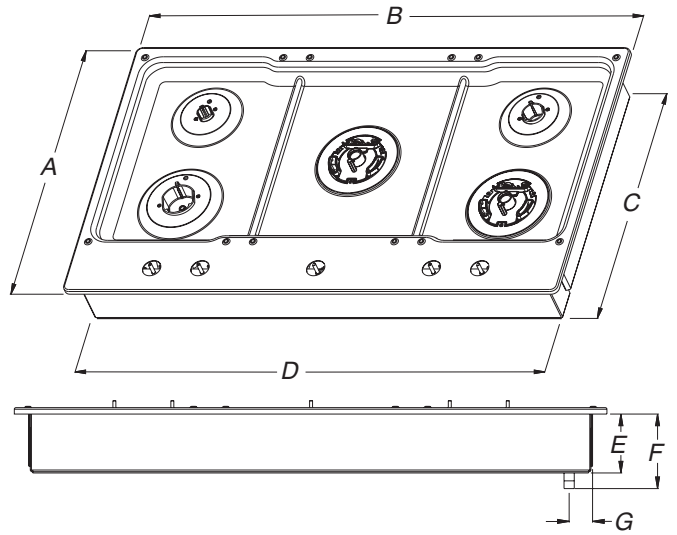
Product Dimensions

KCGS550ESS and KCGS950ESS Models



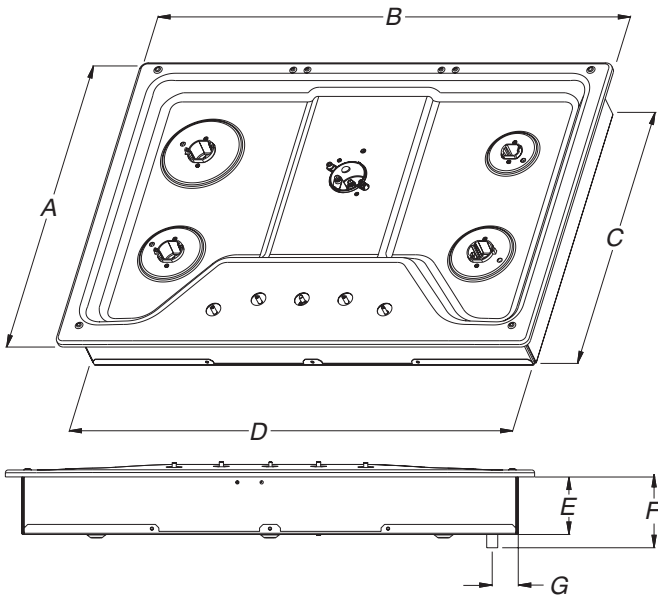
- | | |
|----------------------|----------------------|
| A. 21" (53.3 cm) | E. 3 5/8" (9.2 cm) |
| B. 30" (76.2 cm) | F. 4 9/16" (11.6 cm) |
| C. 19 3/8" (49.2 cm) | G. 1 3/8" (3.4 cm) |
| D. 28 3/8" (72.1 cm) | |

KCGS556ESS and KCGS956ESS Models



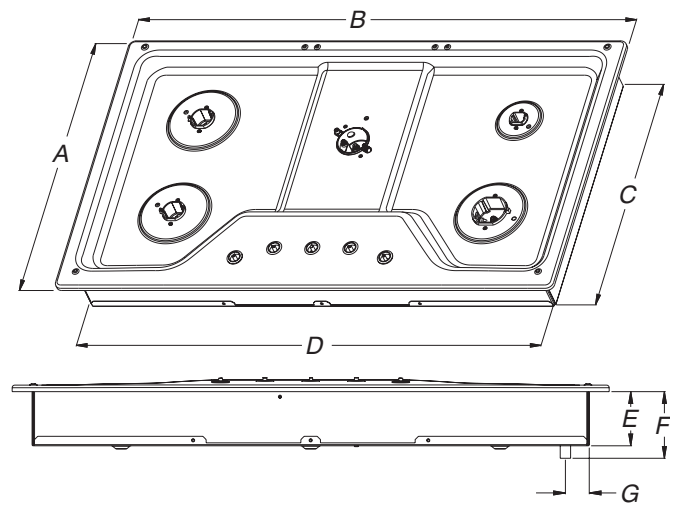
- | | |
|----------------------|----------------------|
| A. 21" (53.3 cm) | E. 3 5/8" (9.2 cm) |
| B. 36 1/4" (92.0 cm) | F. 4 9/16" (11.6 cm) |
| C. 19 3/8" (49.2 cm) | G. 1 7/16" (3.6 cm) |
| D. 34 3/8" (88.1 cm) | |

All Other 30" (76.2 cm) Models



- | | |
|----------------------|---------------------|
| A. 21" (53.3 cm) | E. 3 3/8" (8.6 cm) |
| B. 30" (76.2 cm) | F. 4 1/8" (10.5 cm) |
| C. 18 7/8" (48.0 cm) | G. 1 1/2" (3.8 cm) |
| D. 28 3/8" (72.1 cm) | |

All Other 36" (91.4 cm) Models



- | | |
|----------------------|---------------------|
| A. 21" (53.3 cm) | E. 3 3/8" (8.6 cm) |
| B. 36" (91.4 cm) | F. 4 1/8" (10.5 cm) |
| C. 18 7/8" (48.0 cm) | G. 1 1/2" (3.8 cm) |
| D. 33 3/4" (85.7 cm) | |