

## **CEILING FAN**

- **INSTALLATION**
- **OPERATION**
- **MAINTENANCE**

### **CAUTION**

**READ INSTRUCTIONS CAREFULLY FOR SAFE  
INSTALLATION AND SAFE OPERATION.**

## Important Notice & Safety Precautions

### Important Notice:

Prior to installing and operating this appliance, read these instructions thoroughly and retain this manual in a secure location for future reference and troubleshooting.

### WARNING:

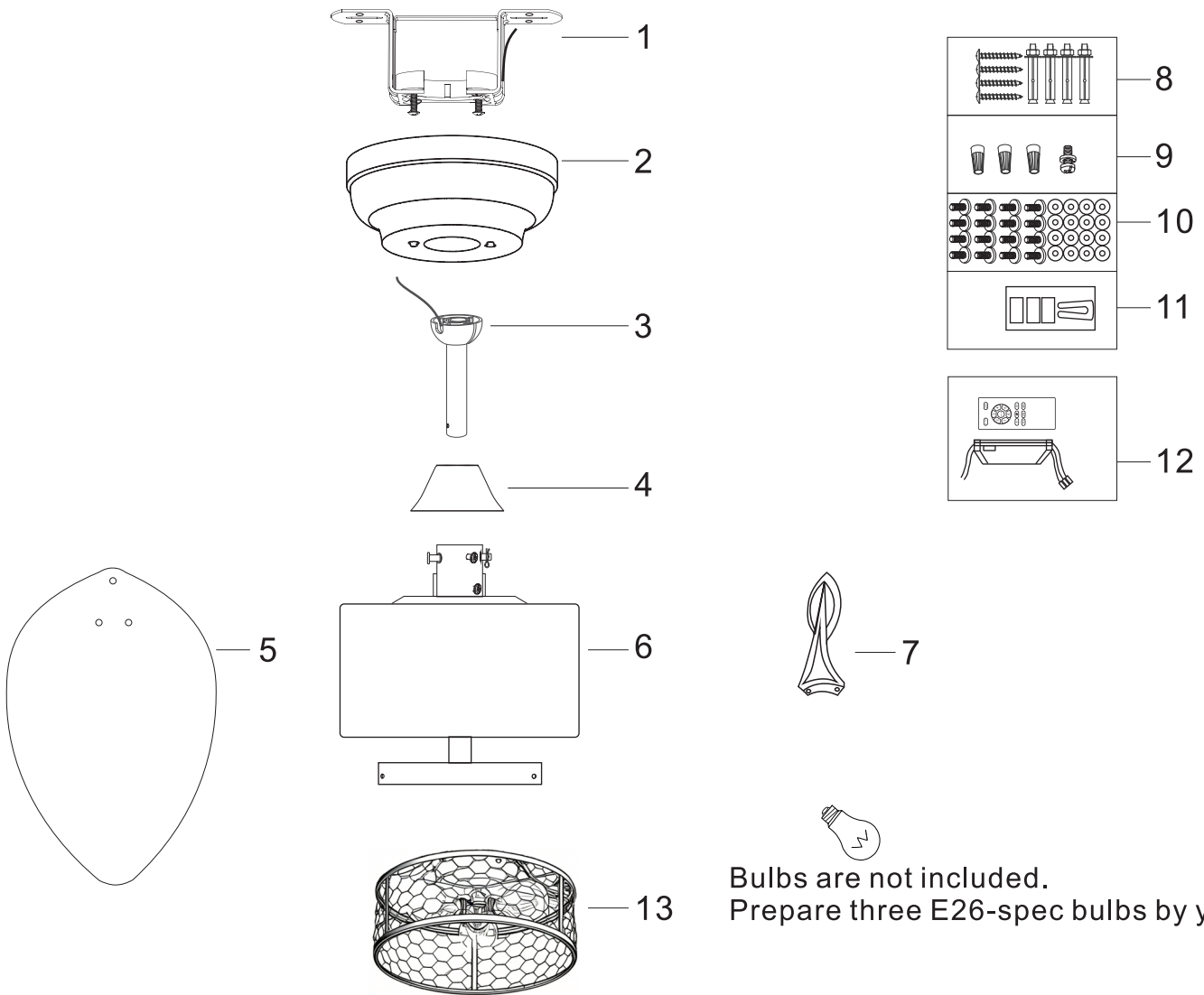
To prevent fire, electric shock, and severe personal injury, always shut off the corresponding circuit breaker in the distribution cabinet to disconnect power supply before any installation, maintenance, or servicing of the fan. Failure to comply may result in fatal electrical hazards.

1. All wiring must comply with the National Electrical Code (ANSI/NFPA 70, current edition) and applicable local electrical codes and regulations. Electrical installation shall be performed exclusively by a qualified, licensed electrician.
2. Prior to installation, verify that the ceiling's load-bearing capacity is no less than 40 kg to eliminate falling hazards caused by insufficient structural strength. The ceiling fan must be mounted on a structurally sound ceiling; DO NOT install on flammable surfaces, hollow drywall, or uneven bases.
3. During installation, maintain a minimum distance of 2.3 meters between the fan blades and the floor, and a minimum clearance of 50 centimeters between the tip of each blade and the nearest obstacle or wall. Ensure the selected installation location allows unobstructed rotation of the fan blades at all speeds. This ceiling fan is suitable for installation on sloped ceilings with a maximum incline angle of 15°.
4. This appliance is designed solely for household and similar indoor applications. It is not waterproof or dustproof; mounting or operating the fan in damp, wet, or dusty environments poses a serious safety hazard, including electric shock and motor failure.
5. If abnormal wobbling, swinging, or unusual noise is detected during operation, stop using the fan immediately, disconnect the power supply, and contact the distributor, its authorized after-sales service provider, or qualified professionals for inspection and remediation.
6. DO NOT operate the appliance if it malfunctions, has been dropped, or is damaged in any manner (e.g., cracked housing, frayed power cord).
7. There are no user-serviceable components inside the device. For any maintenance or repair needs, contact the distributor, its authorized after-sales service provider, or qualified professionals to perform the work. Unauthorized disassembly or repair will void the product warranty.
8. Always disconnect the power supply before performing any maintenance or cleaning operations. Use a dry, soft cloth to clean the fan; avoid using water or corrosive detergents on the motor or control components.
9. This product is not suitable for use by persons with reduced physical, sensory, or mental capabilities, or those lacking relevant experience and knowledge (including children), unless they are under the direct supervision and guidance of a person responsible for their safety. Children must be supervised at all times when in the vicinity of the appliance to ensure they do not play with it or insert objects into the fan guard.
10. DO NOT dispose of this electrical appliance as unsorted municipal waste. Dispose of it in accordance with local electrical waste recycling regulations or return it to the manufacturer/distributor for designated recycling.

### Battery Safety Precautions

- Always ensure correct polarity (+/- alignment) when installing batteries in the remote control. Reverse polarity may cause battery leakage or damage to the remote.
- Remove batteries from the remote control if it will not be used for an extended period (3 months or longer) to prevent leakage and corrosion.
- The built-in battery must be removed from the remote control before disposal. Dispose of batteries in accordance with local battery recycling regulations; DO NOT incinerate or short-circuit batteries.

# Parts List



Bulbs are not included.  
Prepare three E26-spec bulbs by yourself.

1	1 x Hanging bracket	8	Mounting screws
2	1 x Canopy	9	Wire cap, Motor screws
3	3 x Down rod	10	16 x Blade mounting screws with washer
4	1 x Coupling Cover	11	1 x Balance Kit
5	5 x Blades	12	1 x Remote Control Kit
6	1 x Motor Assembly	13	1 x Lighting Kit
7	5 x Blade holder		

**Note:**

- This product is supplied with spare screws.
- Components vary with product configurations; refer to the actual items for details.

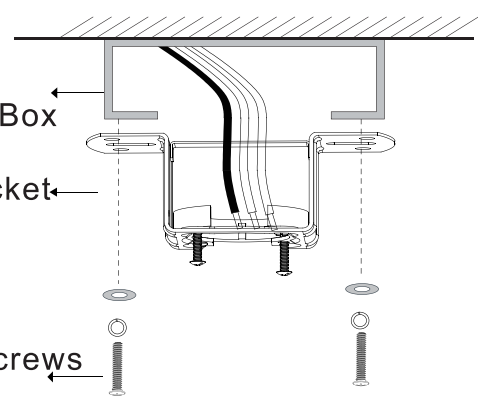
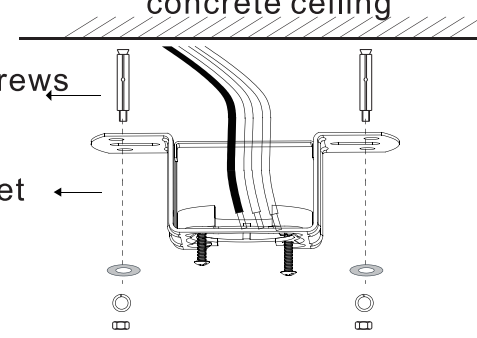
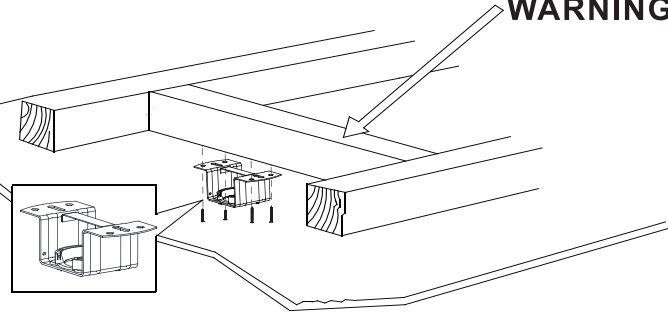
## HANGING THE FAN

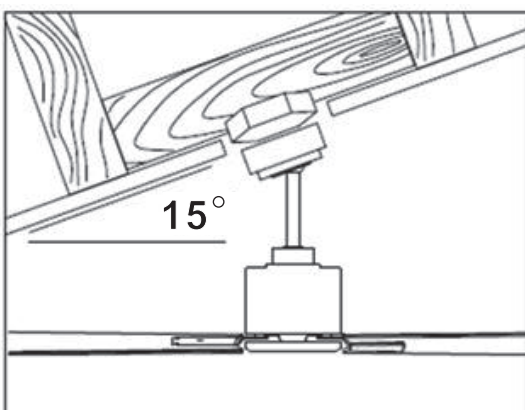
**WARNING:** Before installing the fan, turn off the circuit breakers and the wall switch connected to the fan power supply line. Failure to disconnect the power supply before installation may result in serious injury.

Remove any existing bracket before proceeding with installation. Only use the Hanger bracket provided in the fan packaging.

**NOTE:** Do not mount the bracket directly onto drywall or ceiling tiles.

There are three installation options; select the one suitable for your installation location.

<p><b>Option A</b></p>  <p>Fan-Rated Metal Outlet Box</p> <p>Hanger Bracket</p> <p>Outlet Box Screws (supplied with the outlet box).</p>	<p><b>Option B</b></p>  <p>concrete ceiling</p> <p>Expansion Screws</p> <p>Hanger Bracket</p>
<p><b>Option C</b></p>  <p><b>WARNING:</b> Prior to installation, ensure that the load-bearing capacity of the mounting beam is at least four times the weight of the ceiling fan.</p> <p><b>NOTE:</b> The picture is for illustrative purposes only and does not represent the actual bracket.</p>	



### Angled Ceiling Installation

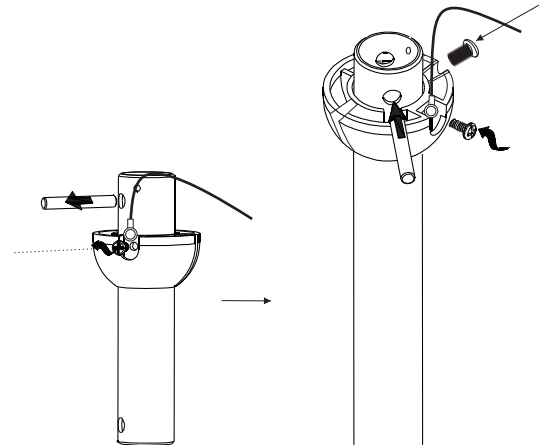
This fan suspension system is suitable for installation on angled ceilings with a maximum slope of 15 degrees.

## Assemble the downrod and the motor assembly

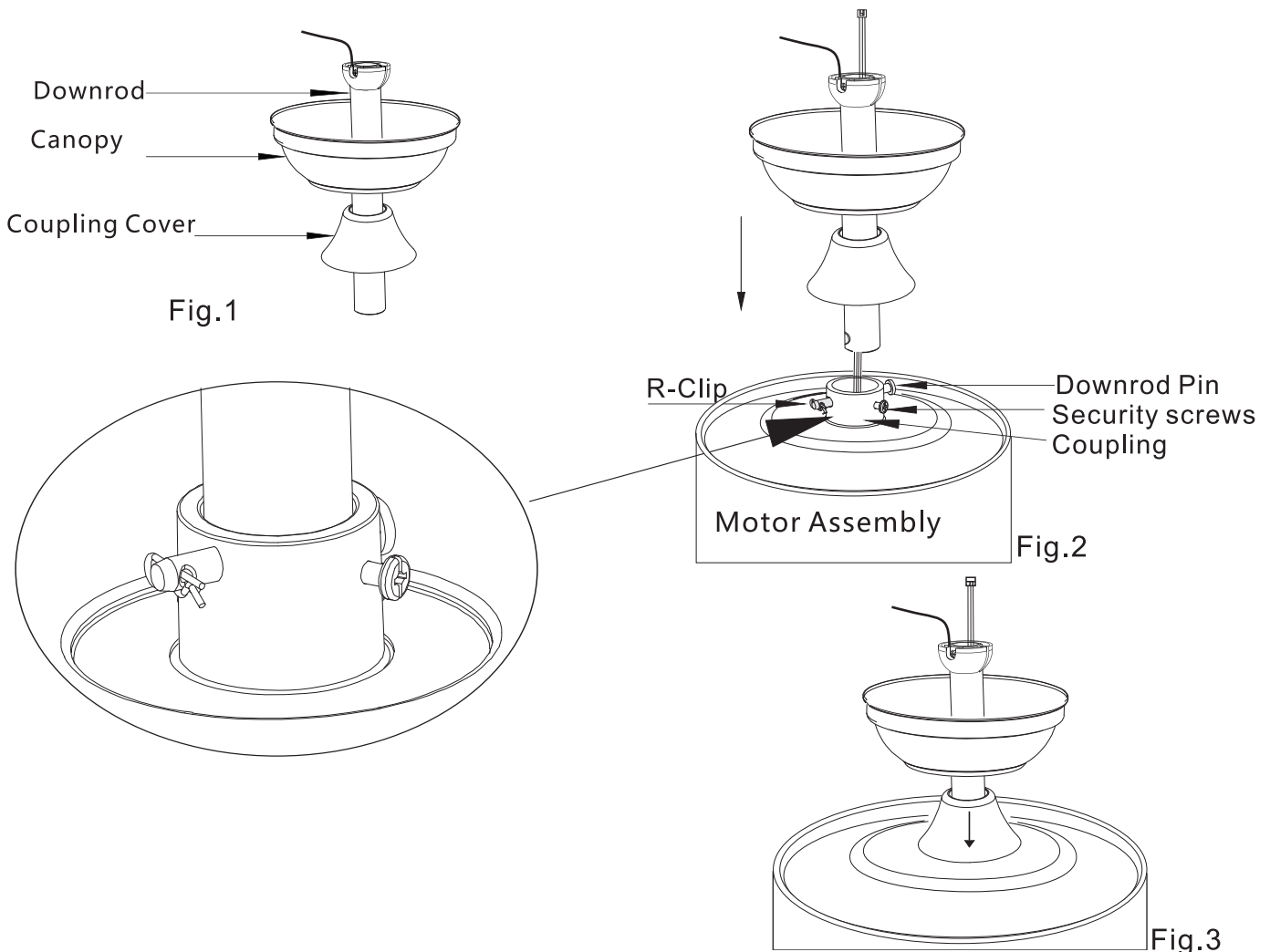
This product is supplied with multiple down rods. If you intend to use a down rod of a different length, remove the suspension ball from the existing down rod and mount it onto the desired one. Specific procedures are as follows:

- Loosen the grounding screw and fixing screw on the suspension ball.
- Remove the grounding screw and green grounding wire.
- Detach the suspension ball and cotter pin from the current down rod, then reassemble them onto the down rod of your choice.

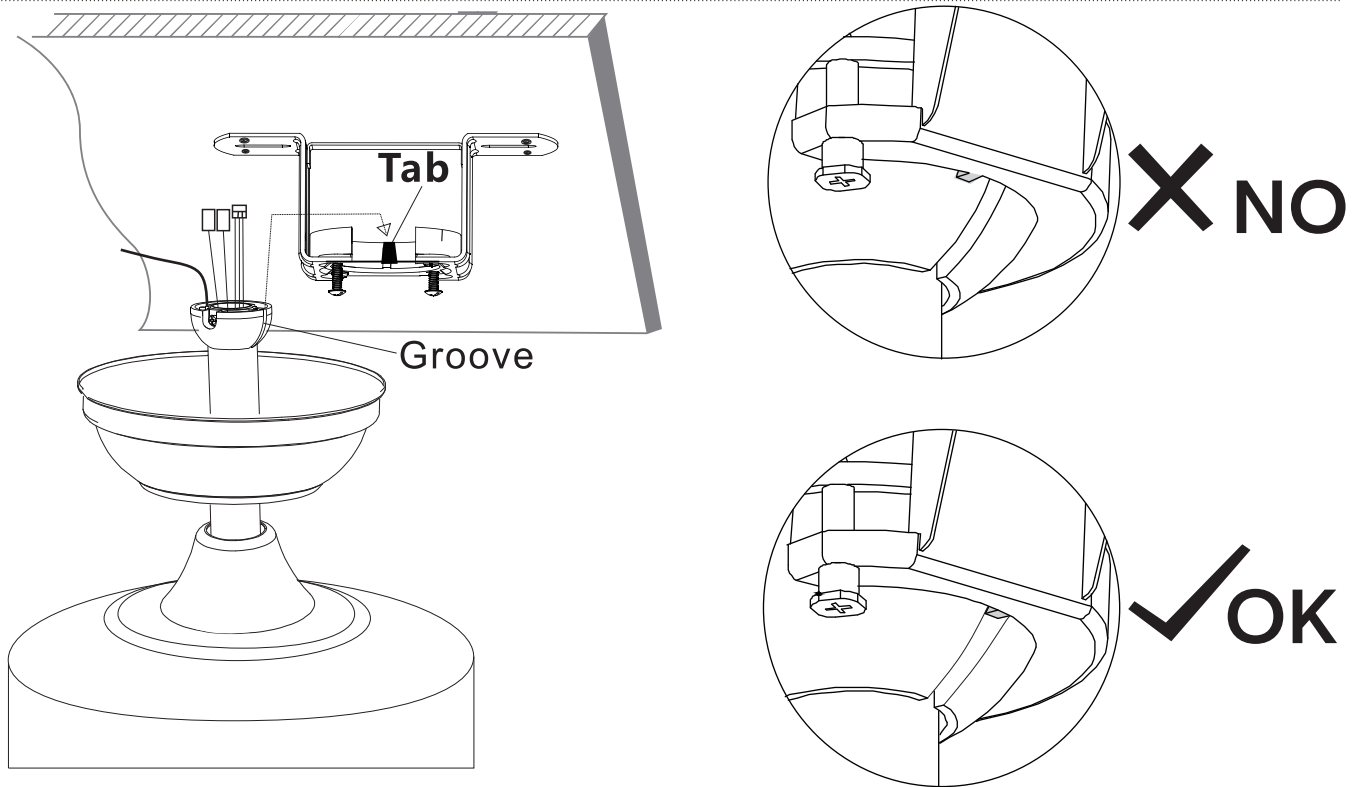
**WARNING:** Failure to fully tighten the fixing screw on the suspension ball may cause the fan to wobble and potentially fall.



- Pass the downrod through the canopy and the coupling cover(Fig.1).
- Thread the motor wires through the downrod.
- Loosen the security screws first, then remove the downrod pin and R-clip from the coupling and place them in a clean container to prevent loss.
- Insert the downrod into the coupling, align the through holes of the downrod with those of the coupling, pass the downrod pin through the aligned holes, and secure it with the R-clip. Next, tighten the security screws (ensure the downrod is firmly fastened by these screws)(Fig.2).
- Lower the coupling cover to enclose the coupling(Fig.3).



## HANGING THE FAN



- Carefully lift the fan and mount the down rod with suspension ball assembly onto the hanger bracket. Ensure that the groove on the ball is accurately aligned with the tab on the hanger bracket.

**Note:** After correct installation, the entire fan motor assembly shall not rotate.

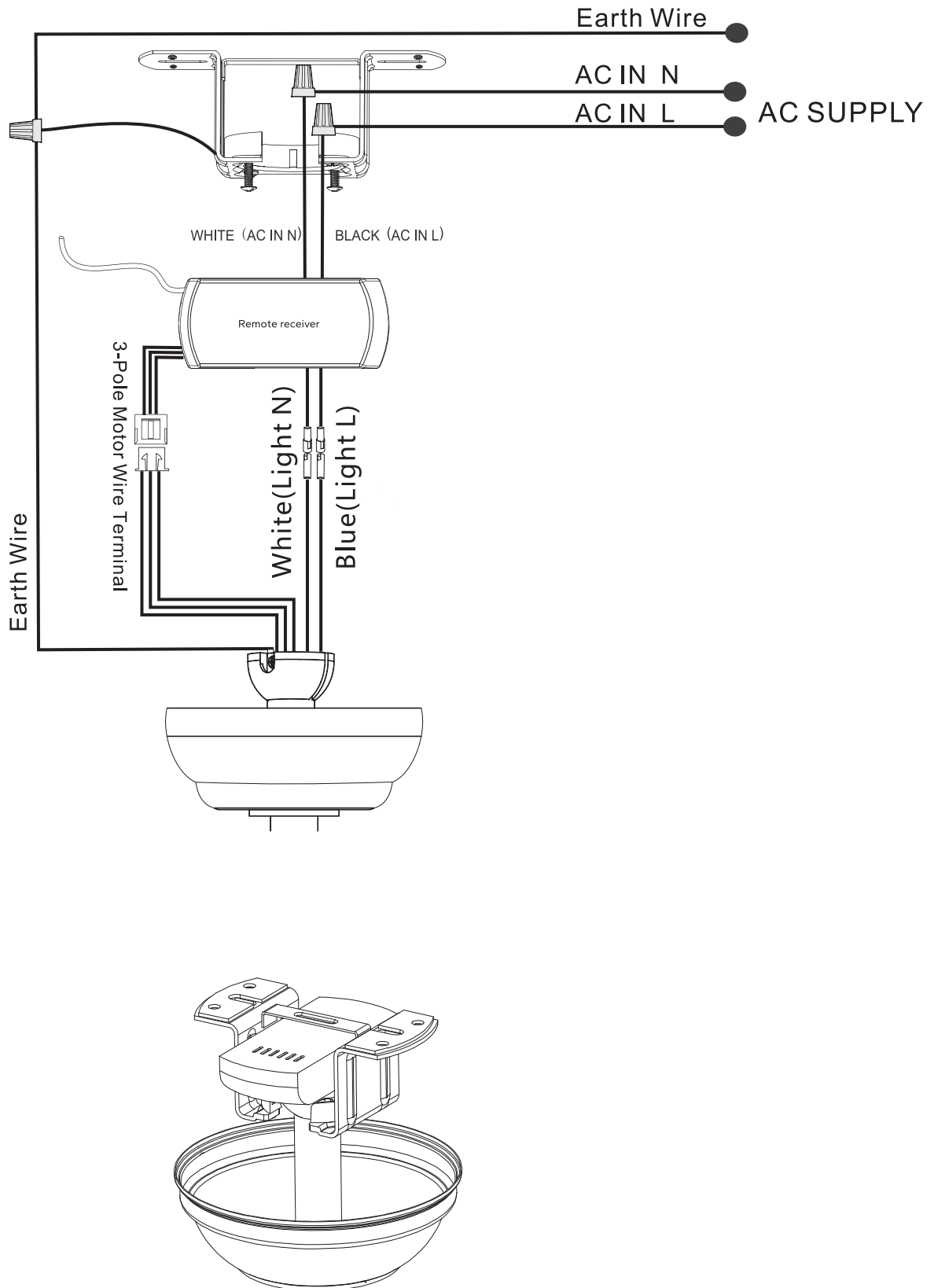
**Warning:** Do not pinch the wires between the suspension ball assembly.

## ELECTRICAL WIRING DIAGRAM

**WARNING:** FOR YOUR SAFETY, ALL ELECTRICAL CONNECTIONS MUST BE PERFORMED BY A LICENSED ELECTRICIAN.

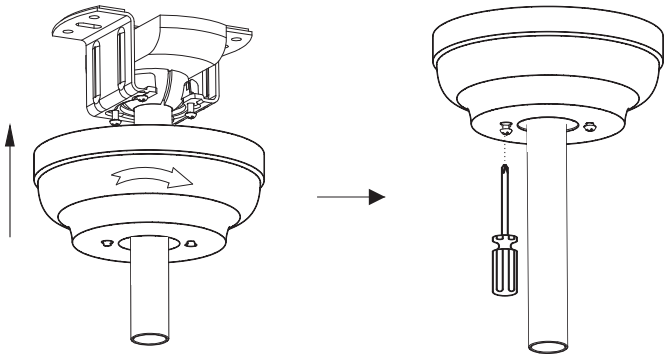
**NOTE:** AN ADDITIONAL ALL-POLE DISCONNECT SWITCH MUST BE INCORPORATED INTO THE FIXED WIRING.

# ELECTRICAL WIRING DIAGRAM



- Carefully insert the receiver into the remaining space of the hanger bracket, placing it above the suspension ball.
- Take care not to damage or loosen any of the wiring.

## INSTALL THE CANOPY



- Locate the two screws on the underside of the hanger bracket.
- Rotate the canopy so that the screws slide into the narrow ends of the slots. Ensure all electrical wiring is tucked inside the canopy and that the wires are not damaged during this step.
- Tighten the screws securely.
- **Note: Do not allow the canopy to press against the antenna (or other wires). Otherwise, the wires may be damaged, leading to short circuits or loss of control.**

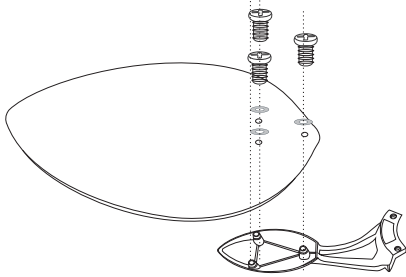


Fig. 6

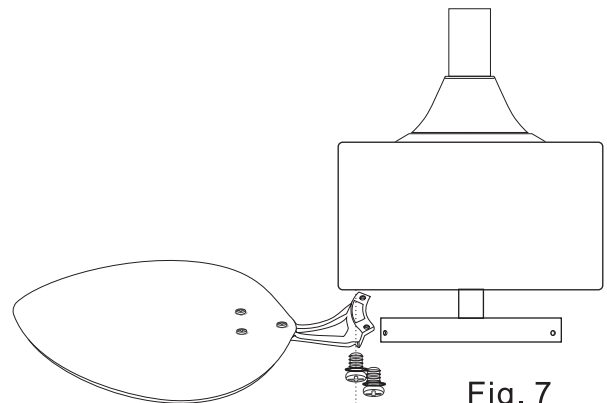
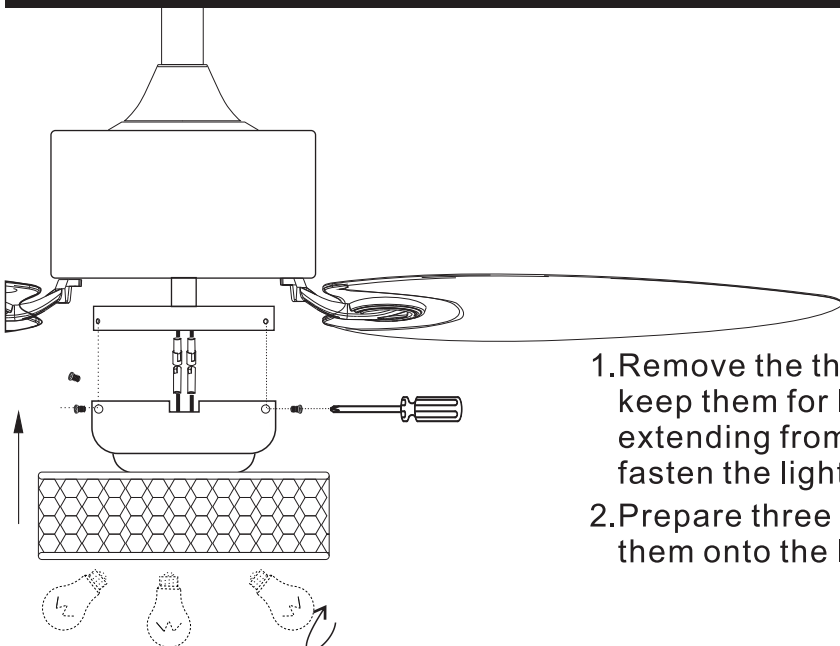


Fig. 7

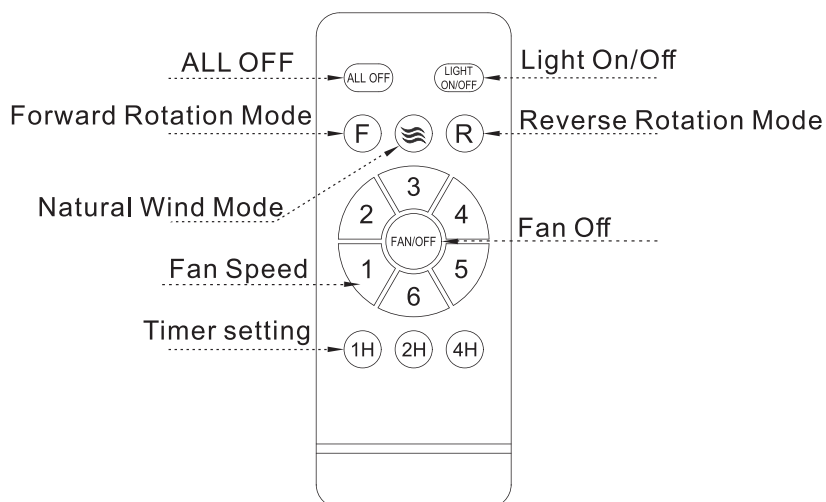
- Assemble the fan blades and blade holders using the supplied fan blade mounting screws and washers. (Fig. 6)
- Remove the screws with washers from the motor, and use these screws to fasten the assembled fan blade assemblies to the motor.
- Ensure all screws are tightened evenly to minimize the risk of blade warping or operational imbalance.

## Assemble the Light Kit



1. Remove the three screws that secure the light kit and keep them for later use. Mate the lamp wire terminals extending from the motor with those of the light kit, then fasten the light kit in place.
2. Prepare three E26-spec bulbs by yourself and install them onto the lamp holders of the light kit.

## USING YOUR CEILING FAN

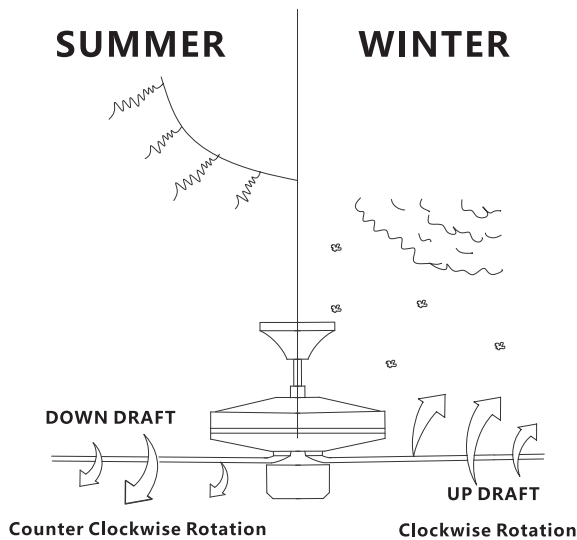


- Install two 1.5-volt batteries (1.5V AAA LR03, not included).
- To prevent damage to the transmitter, remove the batteries when the device is not in use for an extended period.
- Do not expose the remote control to extreme heat or high humidity.

### Important Note:

- When the Forward/Reverse button is pressed, the ceiling fan will gradually stop before rotating in the selected direction. This process takes approximately 10 seconds; please wait patiently. Do not press the switch button repeatedly during the transition, as this may cause fan malfunction.
- If the remote control fails to operate the receiver, check whether the batteries in the remote control have sufficient power and replace them with new ones if necessary.
- Your fan remote control and receiver have been pre-paired. The learning mode is only required if control is lost during or after installation. To pair the remote control with the receiver via learning mode, refer to the instruction manual included with the remote control.
- Ceiling fans with remote control functionality are compatible with basic on/off wall switches, but **must not be used in conjunction with any other control systems**.
- When the receiver resumes power supply after an interruption (e.g., power restoration after a blackout or activation of the wall switch), the lighting kit will turn on automatically. This is normal operation.

## USING YOUR CEILING FAN



**SUMMER MODE:** Airflow is directed downward to provide cooling during summer.

**WINTER MODE:** Airflow is directed upward to facilitate warm air circulation, helping conserve energy in winter.

### **REMINDER:** Check Fan Mode Settings for Optimal Airflow

For the best cooling performance, please ensure your ceiling fan is set to Summer Mode. In this mode, the blades rotate counterclockwise, pushing air downward to generate a cooling breeze.

**NOTE:** This ceiling fan is equipped with two airflow modes — Summer Mode (downward airflow) and Winter Mode (upward airflow for warm air circulation). If you encounter weak airflow or no breeze at all, the fan may have been inadvertently switched to Winter Mode. To verify, observe the direction of blade rotation. If the blades are spinning clockwise, the fan is most likely in Winter Mode. Simply press the mode switch button on your remote control to switch back to Summer Mode (counterclockwise rotation).

Additionally, airflow will be reduced if the distance between the fan blades and the nearest surrounding obstacles is less than 50 cm.

## AFTER INSTALLATION

**TO REDUCE THE FAN WOBBLE:** Please check that all screws securing the hanging bracket and down rod are tight.

**BALANCING KIT:** A balancing kit is supplied for ceiling fan balancing during initial installation. Please refer to the instructions for proper usage of the balancing kit. If the ceiling fan becomes unbalanced again later, the balancing kit can be used to help rebalance it. Store the balancing kit properly after installation for future use if needed.

## CARE & CLEANING

**NOTE:** Always turn OFF the power at the mains switch before performing any maintenance or attempting to clean your fan.

- Due to the natural oscillation of the fan during operation, some connections may become loose. Inspect the support joints, hanging brackets, and blade fasteners twice a year. Ensure all components are securely fastened. There is no need to remove the fan from the ceiling for this inspection.
- When cleaning the ceiling fan, use a soft brush or lint-free cloth to avoid scratching the painted surface. Do not use water for cleaning, as this may damage the motor or wooden parts and could potentially result in an electric shock.
- To clean the fan blades, wipe them only with a damp, clean cloth—do not use any organic solvents or cleaners.
- The motor is fitted with permanently lubricated ball bearings, so there is no need to oil it.

## TROUBLESHOOTING

**WARNING:** Failure to disconnect power supply prior to troubleshooting any wiring issues may result in serious injury.

Problems	Solutions
Fan will not start	<ul style="list-style-type: none"> <li>• Check circuit fuses or breakers.</li> <li>• Ensure that the battery in the remote are installed properly and that they still have power.</li> <li>• Check all electrical connections to ensure proper contact.</li> </ul>
Fan sounds noisy.	<ul style="list-style-type: none"> <li>• Ensure all motor housing screws are securely fastened.</li> <li>• Ensure all screws attaching the fan blades to the motor hub are fully tightened.</li> <li>• Ensure that wire nut connections do not rub against each other or scrape against the inner wall of the switch housing.</li> <li>• Allow a 24-hour breaking-in period. Most abnormal noises generated by a new ceiling fan will disappear on their own during this period.</li> <li>• Ensure the light kit is securely fastened and check that the bulbs are properly installed.</li> <li>• Use only the variable-speed control that is matched to the product.</li> <li>• Ensure a small gap is maintained between the upper canopy and the ceiling; it must not make direct contact with the ceiling.</li> </ul>
Fan wobbles.	<ul style="list-style-type: none"> <li>• Check that all blade and blade arm screws are tight and secure.</li> <li>• Most fan wobbling issues are caused by uneven blade heights.</li> <li>• Check the blade levelness as follows: Select a reference point on the ceiling directly above the rotation path of the fan blades. Measure the distance from this point to the tip of one blade. Rotate the fan until the next blade is positioned at the same measurement point, and repeat this process for all blades. The distance deviation between each blade shall be within 1/8 ”.</li> <li>• If the blade wobble is still noticeable, use the enclosed Blade Balancing Kit for correction.</li> <li>• If the wobbling problem persists after correction, interchange the installation positions of two adjacent blades to redistribute the blade weight, which may result in smoother fan operation.</li> </ul>
Light does not work.	<ul style="list-style-type: none"> <li>• Check that the wires of the light kit are properly connected and that the bulbs are correctly installed.</li> <li>• Replace with new bulbs.</li> </ul>
Fan goes back and forth but does not start.	<p>Check all electrical connections to ensure they are in good contact. If the wiring terminals of the motor or light fixture are poorly connected or broken, cut off the broken terminals and connect the wires directly.</p>