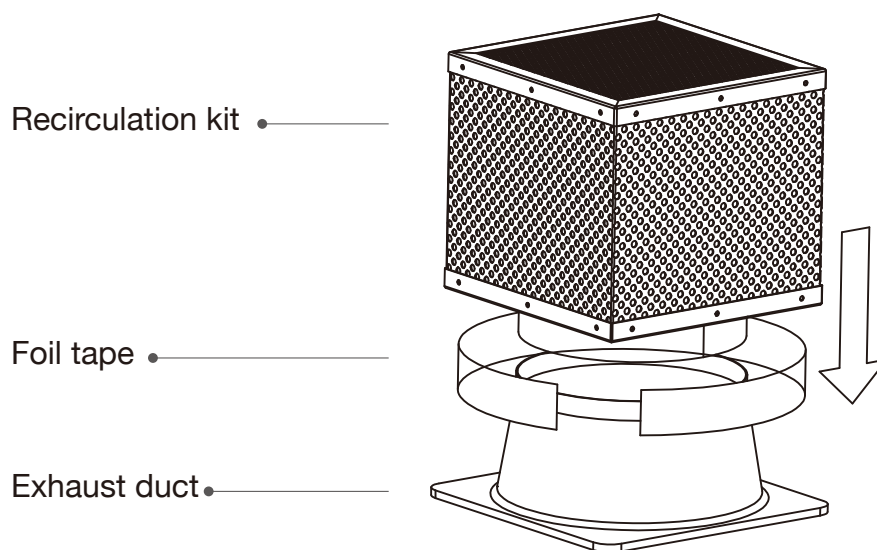


RECIRCULATION KIT USER AND INSTALLATION MANUAL



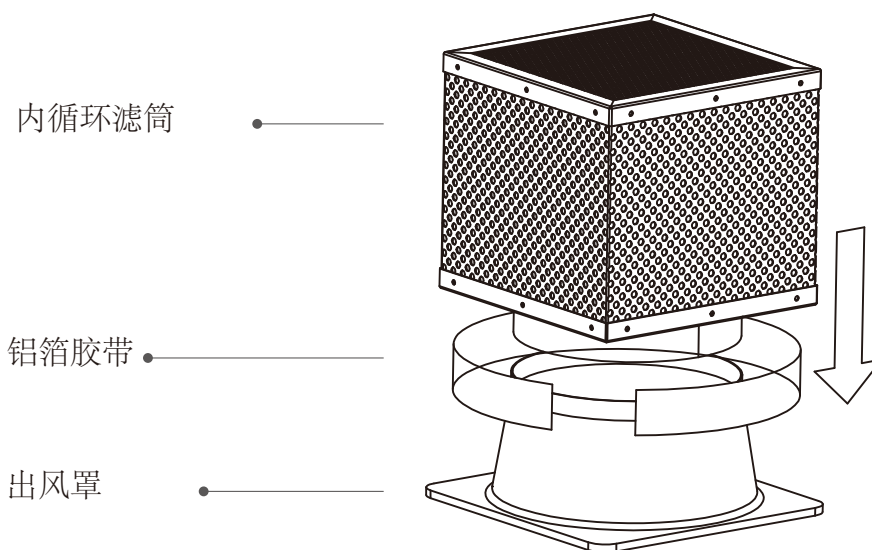
INSTALLATION STEP

- Install the range hood exhaust duct first
- Insert the recirculation kit into the exhaust cover at a 45 degrees angle, and seal the exhaust cover to the bottom of the kit with aluminum foil tape.

NOTE

- Please confirm the height of the upper cabinet (from cabinet base) before installing.
 - a. if its 12-14 inches, then use the short exhaust cover, you can purchase it at <https://us.fotileglobal.com/collections/range-hoods-accessories>
 - b. if its greater than 15 inches, then use regular exhaust cover(included in your range hood package)
- When venting to the outside is not possible, an accessory recirculation kit can be used to eliminate smoke & grease from the kitchen.
- Remember to turn off the appropriate circuit breaker to your Kitchen Range Hood before installing this Recirculation Accessory Kit.
- Do not try to clean the charcoal filter on the recirculation kit as it can not be cleaned. Please change the charcoal filter every 4-6 months (depending on hood usage).You can purchase charcoal filters for replacement at <https://us.fotileglobal.com/collections/range-hoods-accessories>
- It's recommended to keep upper cabinet door open when you use recirculation kit.
- Please wear gloves when changing the charcoal filter or cleaning the range hood.

内循环滤筒用户安装手册



安装步骤

- 首先安装油烟机出风罩。
- 将内循环滤筒插入出风罩内，再用铝箔胶带把内循环滤筒跟出风罩密封固定。

注意

- 安装前请确认橱柜上方（从橱柜底部开始）的高度
 - a.如高度为12-14英寸，则使用短出风罩，
可在<https://us.fotileglobal.com/collections/range-hoods-accessories>网址购买。
 - b.如高度高于15英寸，则使用常规型号出风罩（已包含在您的油烟机包装中）
- 当无法向外排风时，可使用附带的内循环滤筒来去除厨房的油烟。
- 在安装此内循环滤筒之前务必记得切断厨房油烟机电源。
- 请不要试图清洗内循环滤筒上不可清洗的碳布，但请每4-6个月更换一次碳布（可根据使用油烟机的频次来决定更换周期）。您可在<https://us.fotileglobal.com/collections/range-hoods-accessories>网址购买用以更换的碳布。
- 建议在使用内循环滤筒时打开上方橱柜门。
- 请在更换碳布或清理油烟机时戴好手套。