

### Features

- Includes Malleco™ pull-down kitchen faucet with soap/lotion dispenser in Vibrant Stainless.
- 1.8 gpm (6.8 lpm) maximum flow rate at 60 psi (4.14 bar).
- Faucet meets NSF 61 and NSF 372.
- Includes top-filled soap/lotion dispenser.
- Includes sink drain and strainer.
- One faucet hole with one accessory hole to the right.
- 9-1/2" (241 mm) depth provides generous workspace.
- Matte finish offers rich, dimensional color.
- Sink drain with strainer sold separately.



### Material

- KOHLER Neoroc® composite is durable and built to withstand day-to-day cleaning tasks.
- Solid color throughout the sink.
- Heat-resistant up to 750°F.
- Scratch-, stain-, chip-, and thermal-shock-resistant.

### Installation

- Cutout templates included.
- Top-mount or undermount.
- 36" minimum base cabinet width for undermount or top-mount installation.

### Recommended Products/Accessories

- K-8801 Sink drain and strainer with tailpiece
- K-8799 Sink drain and strainer basket
- K-23726 Drain treatment
- K-23725 Cast iron cleaner

### Optional Products/Accessories

- K-11352 Disposal Flange with Stopper

### Included Components

- Additional Components:
- 7400
  - R562-SD
  - Installation hardware

### Codes/Standards

ASME A112.18.1/CSA B125.1  
CSA B45.5/IAPMO Z124  
NSF/ANSI/CAN 61  
NSF/ANSI/CAN 372  
All applicable US Federal and State material regulations  
DOE - Energy Policy Act 1992  
California Energy Commission (CEC)


### KOHLER® Neoroc® Sinks Lifetime Limited Warranty

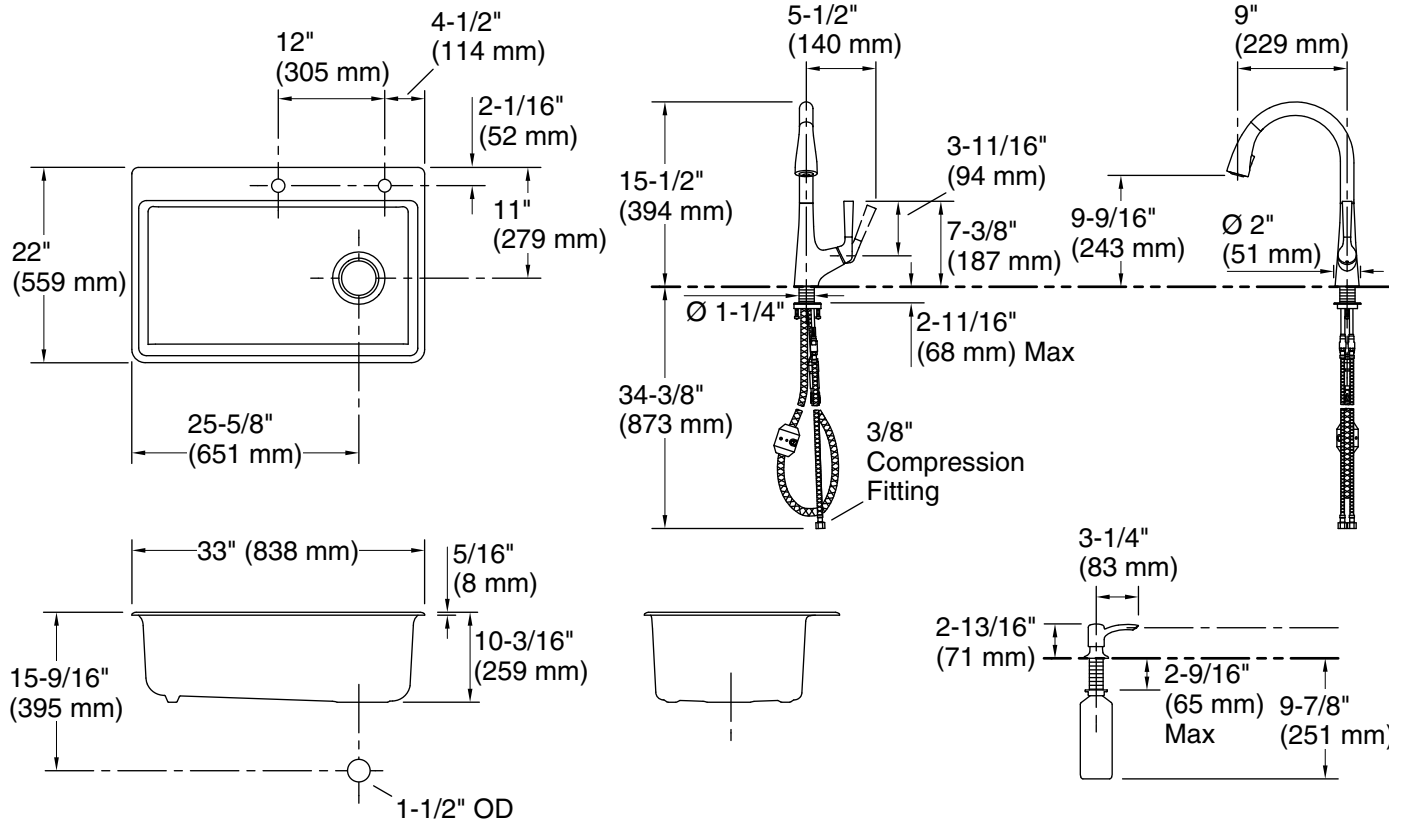
See website for detailed warranty information.

### Available Colors/Finishes

*Color tiles intended for reference only.*

| Color | Code | Description |
|-------|------|-------------|
|-------|------|-------------|

|   |     |             |
|---|-----|-------------|
|  | CM1 | Matte Black |
|---|-----|-------------|



### Technical Information

All product dimensions are nominal.

|                          |  |
|--------------------------|--|
| Bowl configuration:      | Single   |
| Installation:            | Top-mount, Undermount  |
| Min. base cabinet width: | 36" (914 mm)   |
| Bowl area:               | Length: 30-1/8" (765 mm)<br>Width: 16-15/16" (430 mm)<br>Bowl depth: 9-1/2" (241 mm)<br>Water depth: 9-1/2" (241 mm) |
| Number of deck holes:    | 2  |
| Drain hole:              | 3-7/8" (98 mm)   |
| Template:                | 1281757-7, required, included  |

### Notes

Install this product according to the installation instructions.

**NOTICE:** Countertop manufacturer or cutter must use the cut-out template provided with the product, or a current one provided by Kohler Co. (call 1-800-4-KOHLER). Kohler Co. is not responsible for cutout errors when the incorrect cut-out template is used.