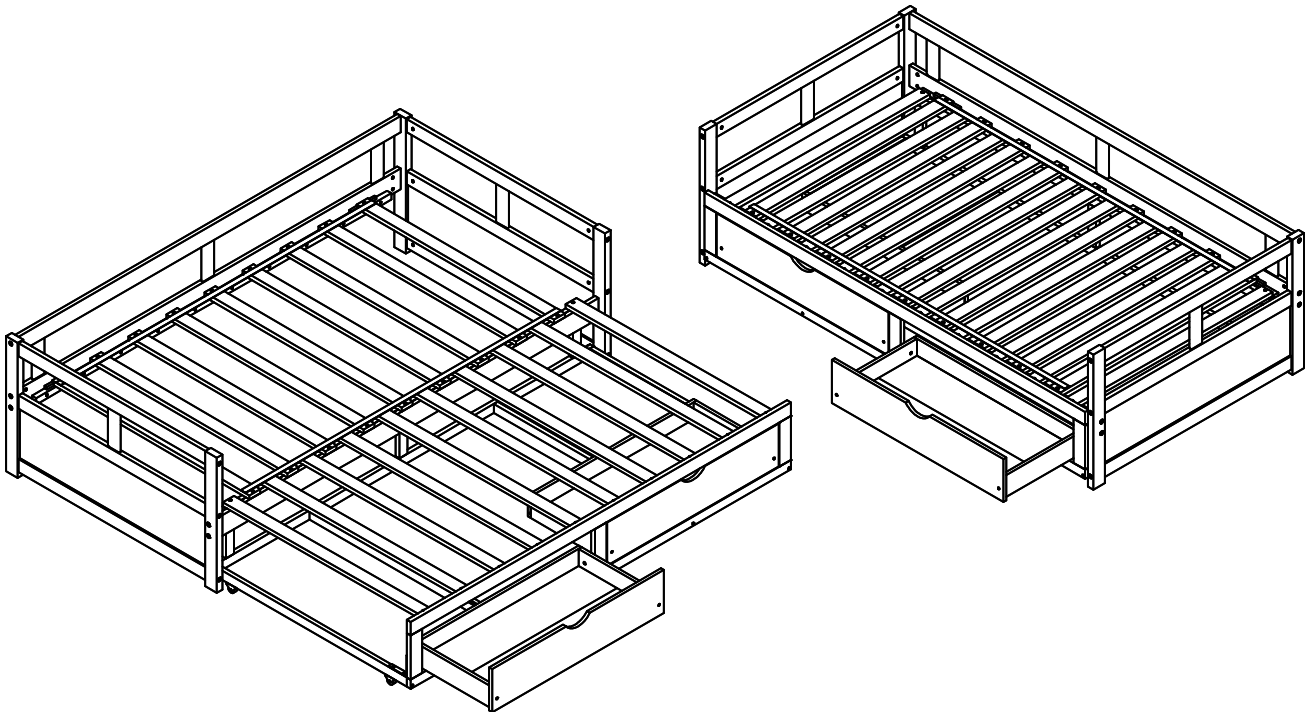


# ASSEMBLY INSTRUCTIONS

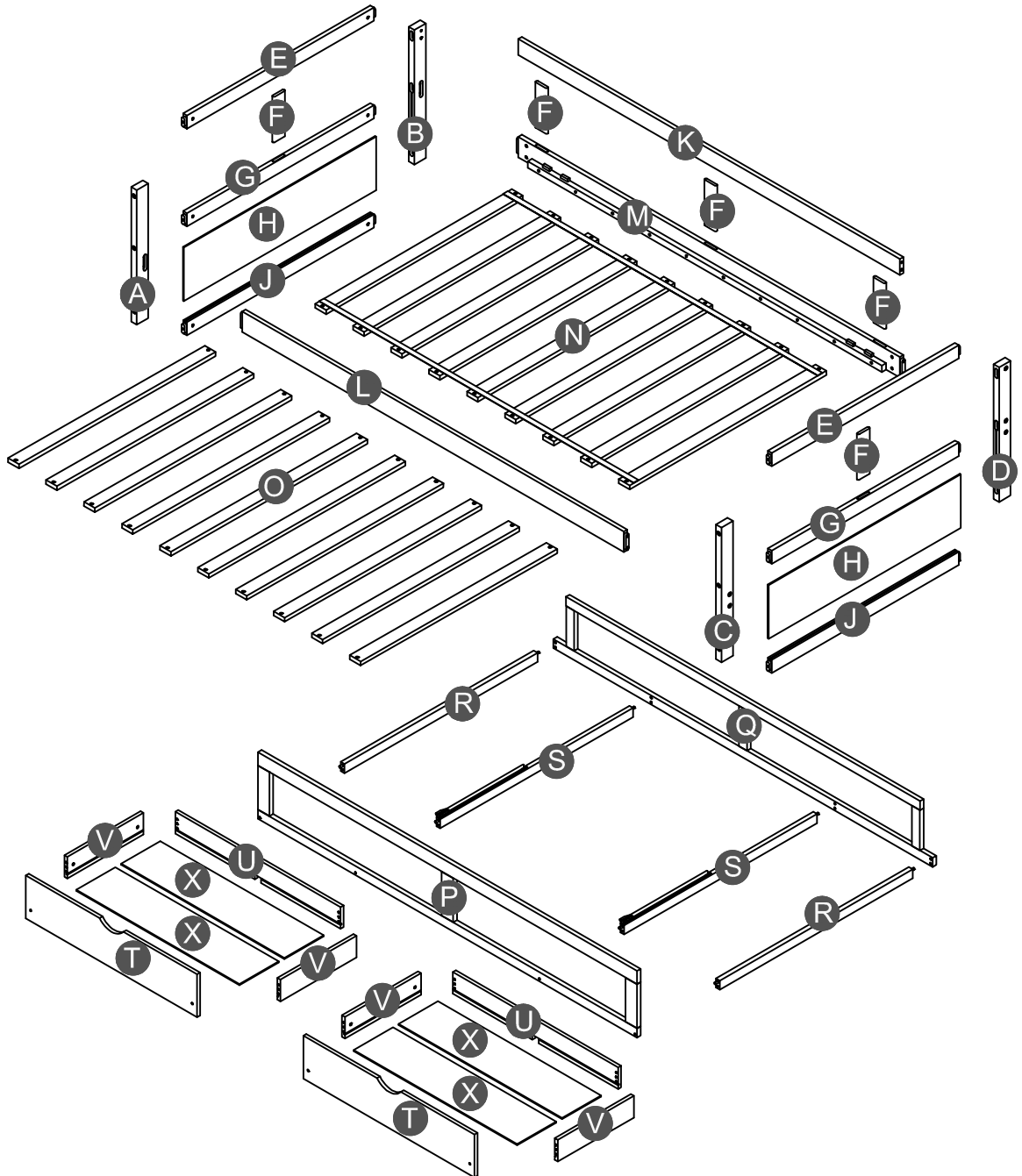
## DAY BED WITH 2 DRAWERS

If you have any questions, please feel free to contact us.  
Email: [lowes.team@qualfurn.net](mailto:lowes.team@qualfurn.net)

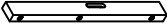

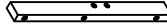

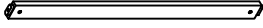
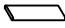

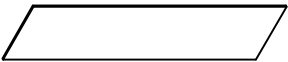


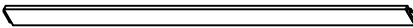

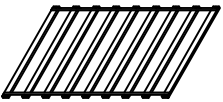



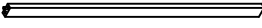

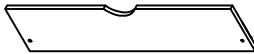

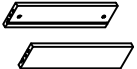
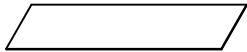


WF194973

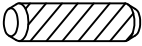











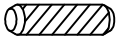
# Detail View



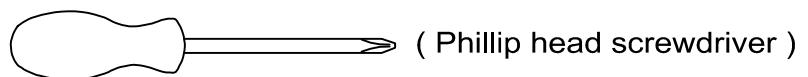
# Part List

<p><b>A</b></p>  <p>Leg HB (Left)- 1pc</p>	<p><b>B</b></p>  <p>Leg HB (Right)- 1pc</p>	<p><b>C</b></p>  <p>Leg FB (Right)- 1pc</p>
<p><b>D</b></p>  <p>Leg FB (Left)- 1pc</p>	<p><b>E</b></p>  <p>Upper horizontal (HB&amp;FB) - 2pcs</p>	<p><b>F</b></p>  <p>Center panel - 5pcs</p>
<p><b>G</b></p>  <p>Center horizontal (HB &amp; FB)- 2pcs</p>	<p><b>H</b></p>  <p>Side panel (HB &amp; FB)- 2pcs</p>	<p><b>J</b></p>  <p>Bottom horizontal (HB &amp; FB)- 2pcs</p>
<p><b>K</b></p>  <p>Horizontal(back)- 1pc</p>	<p><b>L</b></p>  <p>Side rail (Front)- 1pc</p>	<p><b>M</b></p>  <p>Side rail (Back)- 1pc</p>
<p><b>N</b></p>  <p>Slat - 1set (9pcs)</p>	<p><b>O</b></p>  <p>Trundle Slat - (10pcs)</p>	<p><b>P</b></p>  <p>Trundle frame (Front)- 1pc</p>
<p><b>Q</b></p>  <p>Trundle frame (Back)- 1pc</p>	<p><b>R</b></p>  <p>Bottom horizontal side - 2pcs</p>	<p><b>S</b></p>  <p>Bottom horizontal center - 2pcs</p>
<p><b>T</b></p>  <p>Drawer front - 2pcs</p>	<p><b>U</b></p>  <p>Drawer Back - 2pcs</p>	<p><b>V</b></p>  <p>Drawer (Left &amp; Right) - 4pcs</p>
<p><b>X</b></p>  <p>Drawer bottom - 4pcs</p>		

# Hardware List

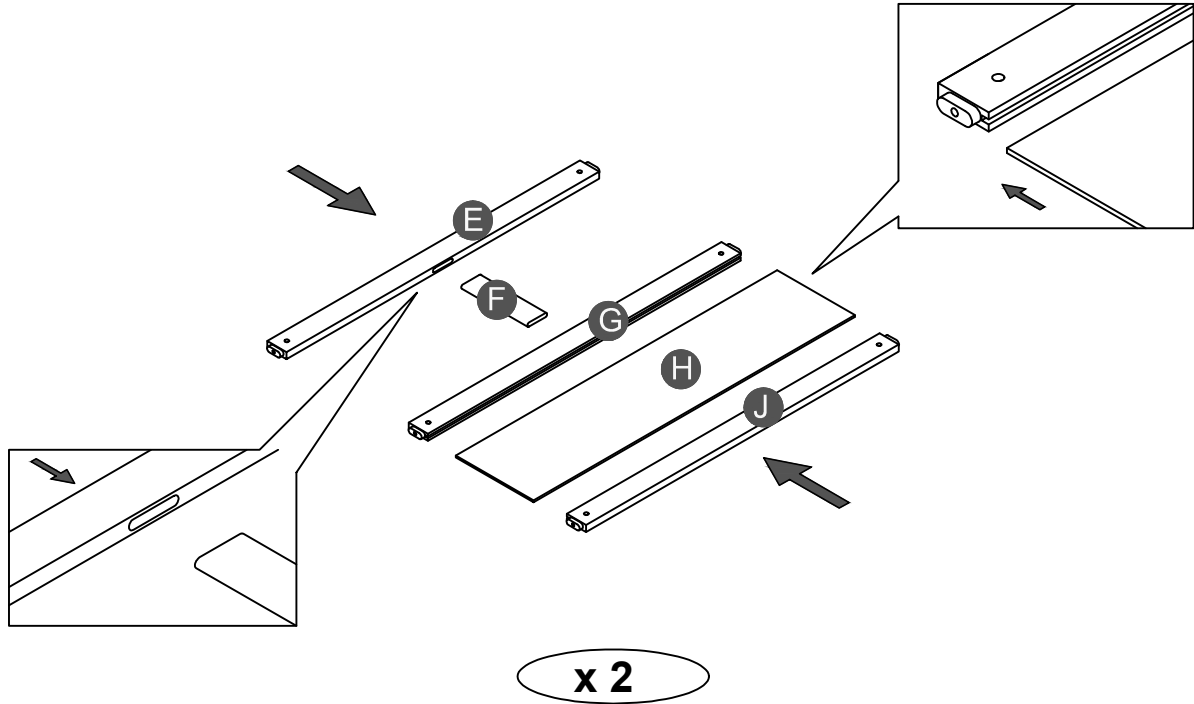
<b>1</b>  Ø10*40mm Wood dowel (2pcs)	<b>2</b>  (Ø15)1/4"*100mm Hex-Head bolts (12pcs)	<b>3</b>  (Ø15)1/4"*80mm Hex-Head bolts (10pcs)
<b>4</b>  (Ø12)1/4"*60mm Hex-Head bolts (16pcs)	<b>5</b>  1/4"*15 (9.5mm) Horizontal-Hole bolts(38pcs)	<b>6</b>  Ø4*30mm Wood screws (38pcs)
<b>7</b>  (1/4")4.5*58mm Allen key (1pc)	<b>8</b>  45*20*35 mm Wheels (4pcs)	<b>9</b>  Ø3.5*19mm Wood screws (16pcs)
<b>10</b>  400*30mm Upper slider drawer (2pcs)	<b>11</b>  Ø3.5*12mm Wood screws (6pcs)	<b>12</b>  95*95*18*3mm Metal bracket (2pcs)
<b>13</b>  Ø8*30mm Wood dowel (16pcs)		

## ASSEMBLY TOOLS REQUIRED ( NOT INCLUDED )

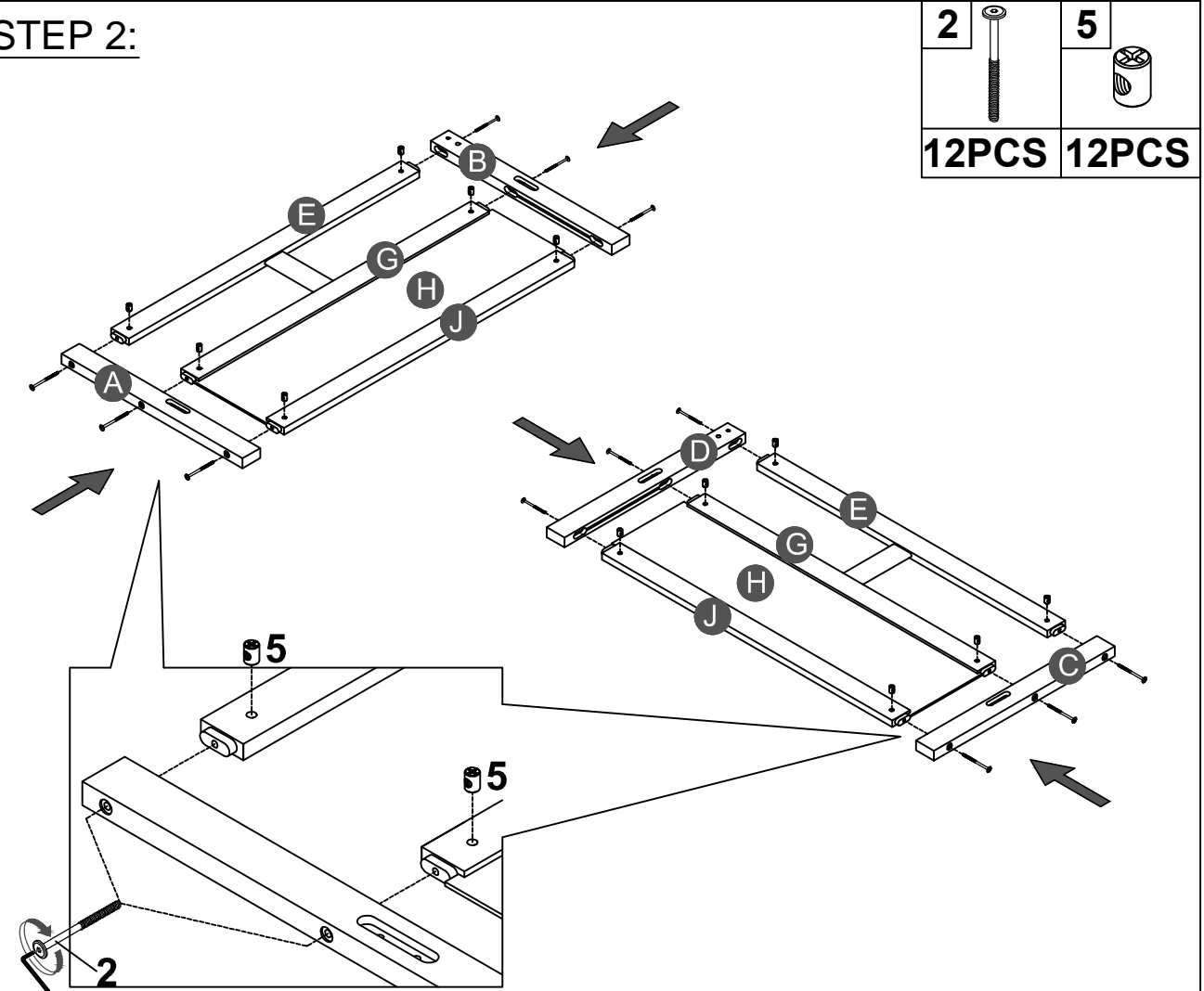


DO NOT USE POWER TOOLS TO ASSEMBLE THIS PRODUCT !

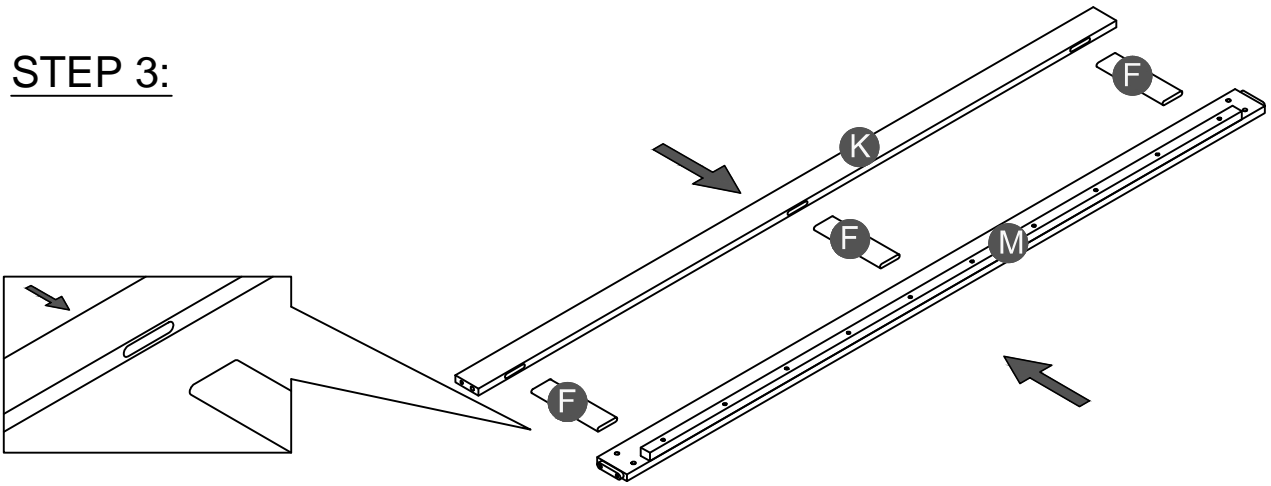
**STEP 1:**



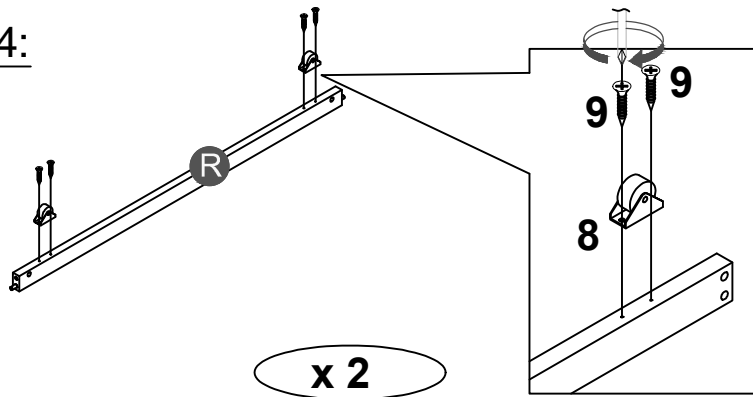
**STEP 2:**





**STEP 3:**



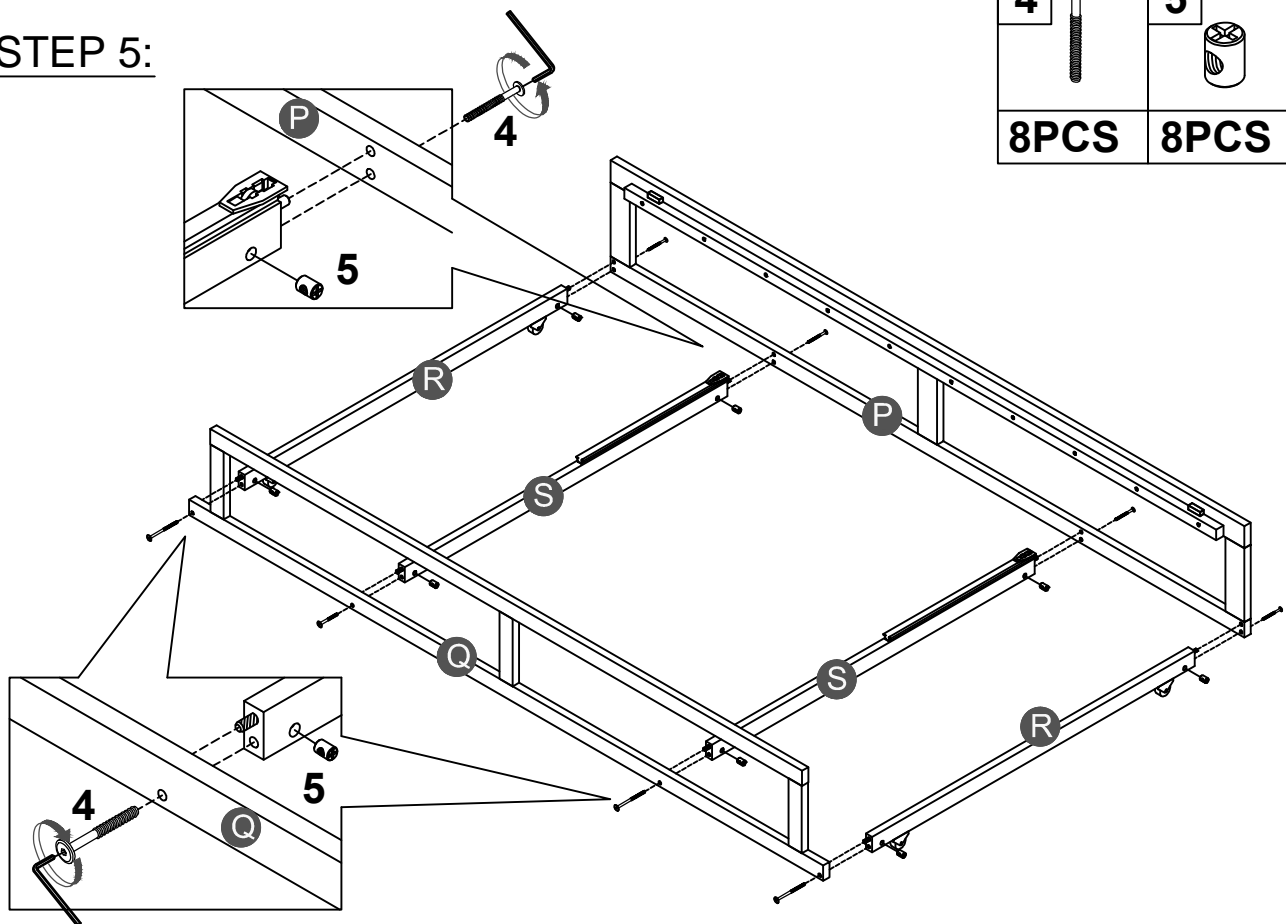
**STEP 4:**





**x 2**



<b>8</b> 	<b>9</b> 
<b>4PCS</b>	<b>8PCS</b>

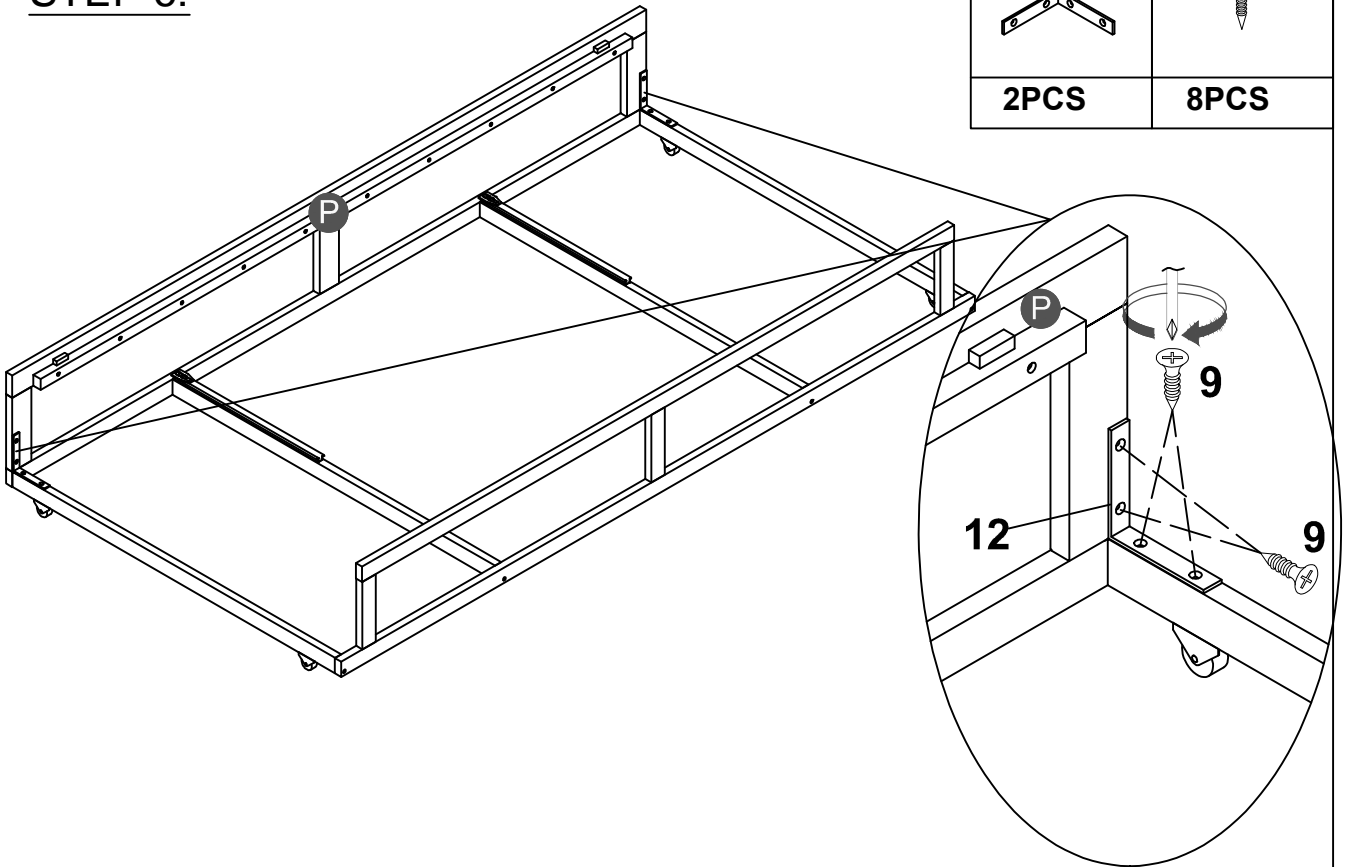
**STEP 5:**






<b>4</b> 	<b>5</b> 
<b>8PCS</b>	<b>8PCS</b>

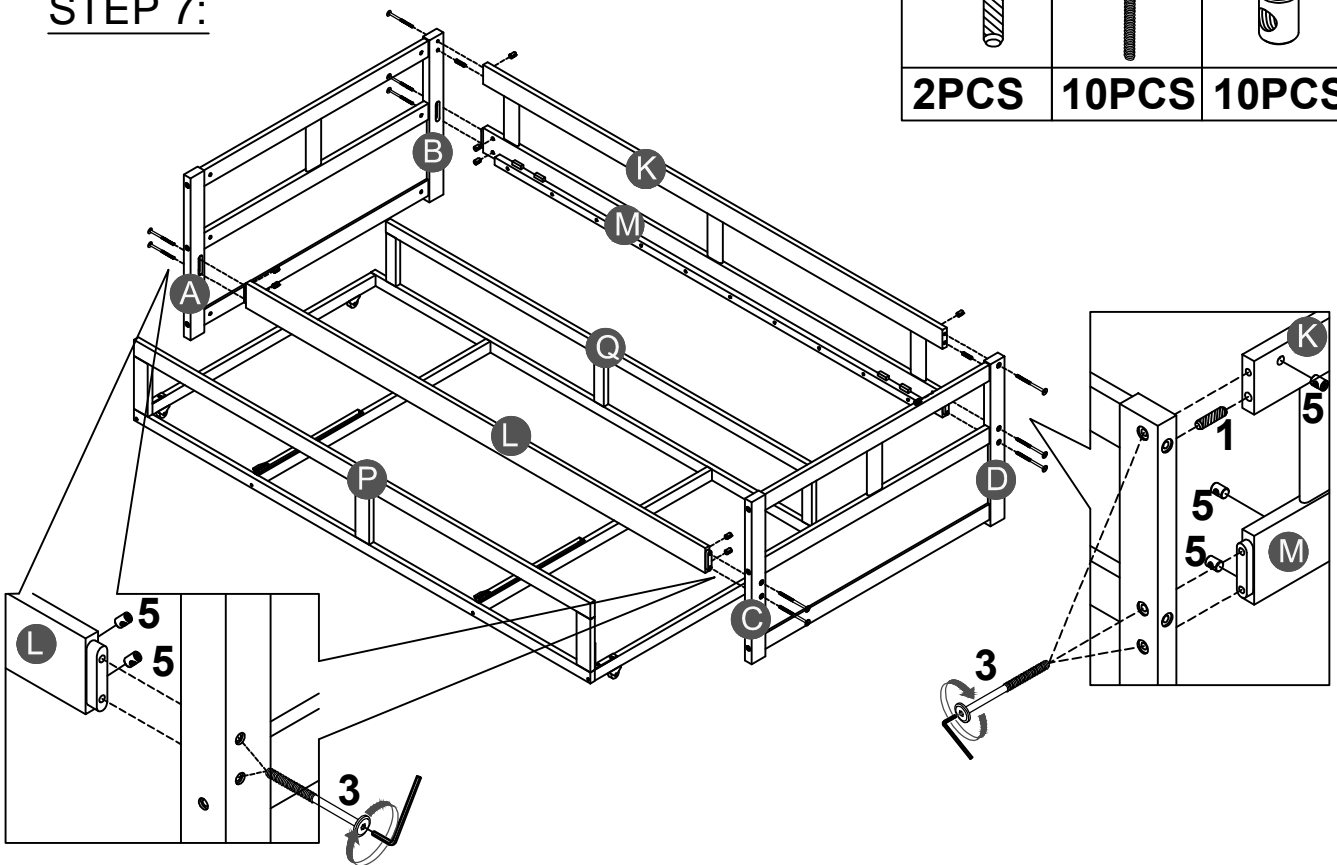
**STEP 6:**

<b>12</b>	<b>9</b>
	
<b>2PCS</b>	<b>8PCS</b>

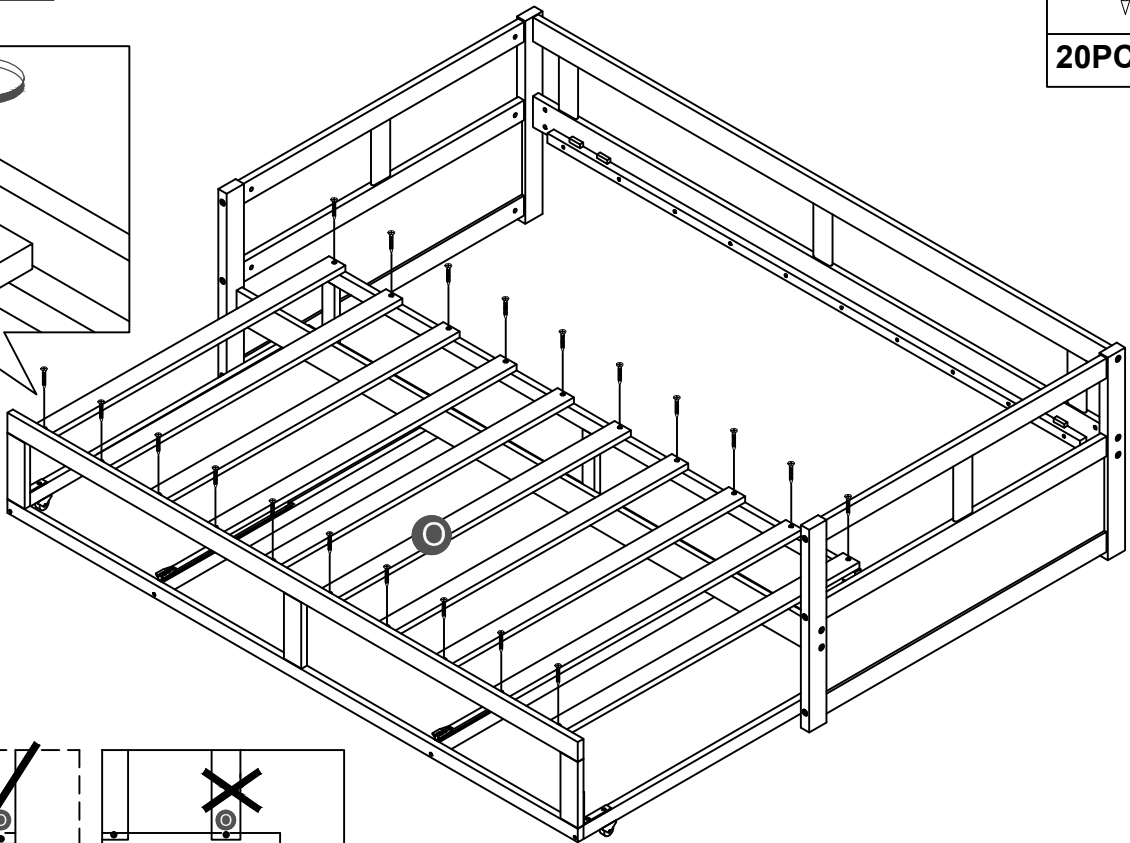
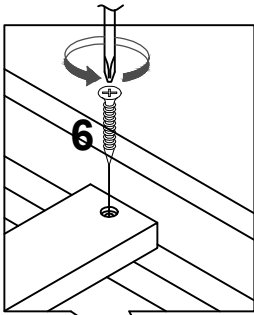


**STEP 7:**

<b>1</b>	<b>3</b>	<b>5</b>
		
<b>2PCS</b>	<b>10PCS</b>	<b>10PCS</b>



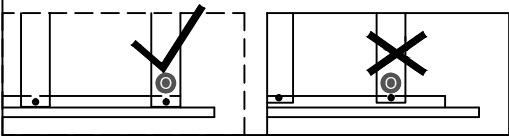
**STEP 8:**



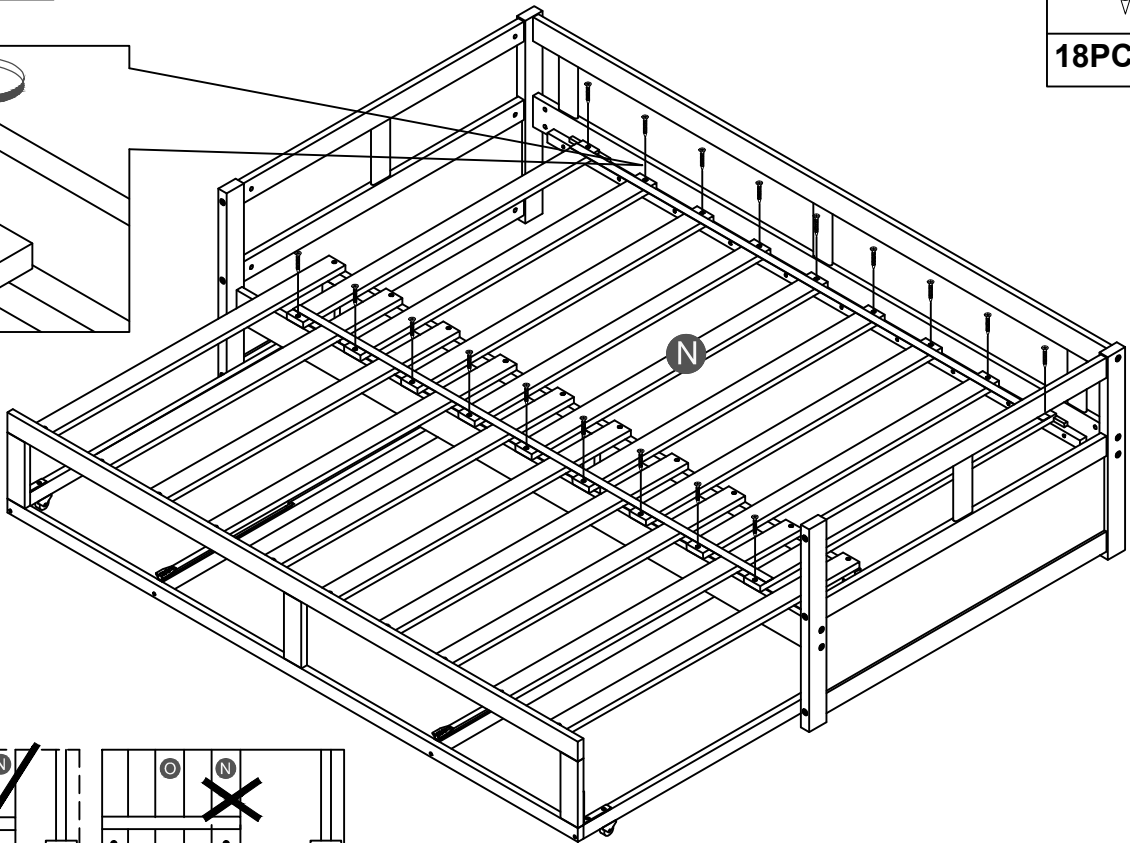
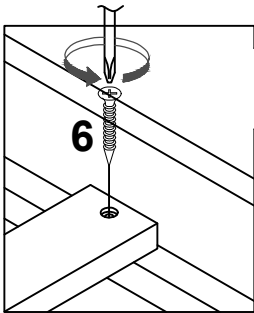
**6**



**20PCS**



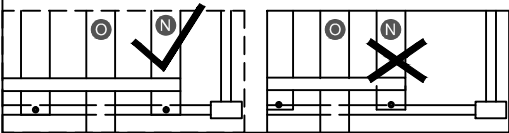
**STEP 9:**



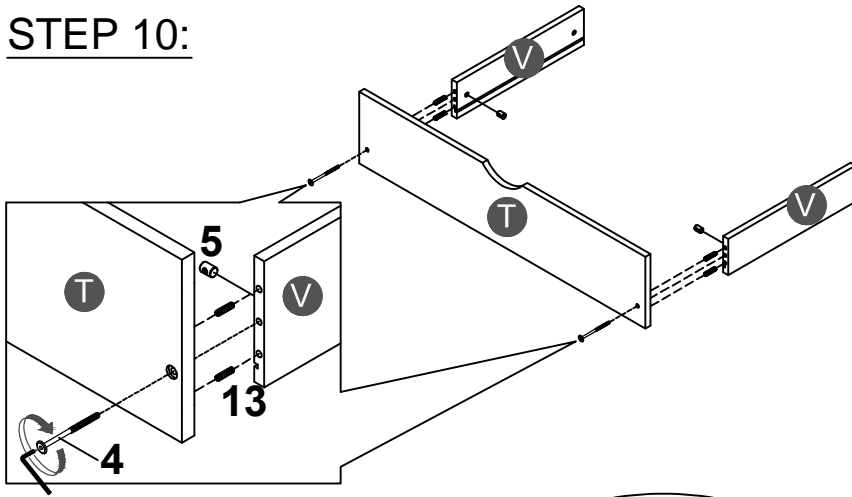
**6**



**18PCS**



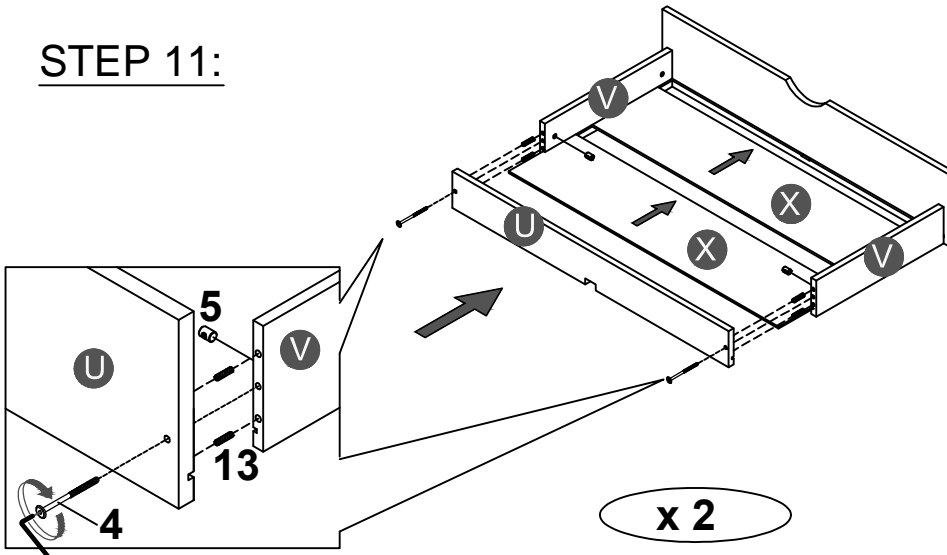
**STEP 10:**



**x 2**

<b>13</b>		<b>5</b>	
<b>8PCS</b>		<b>4PCS</b>	
		<b>4</b>	
		<b>4PCS</b>	

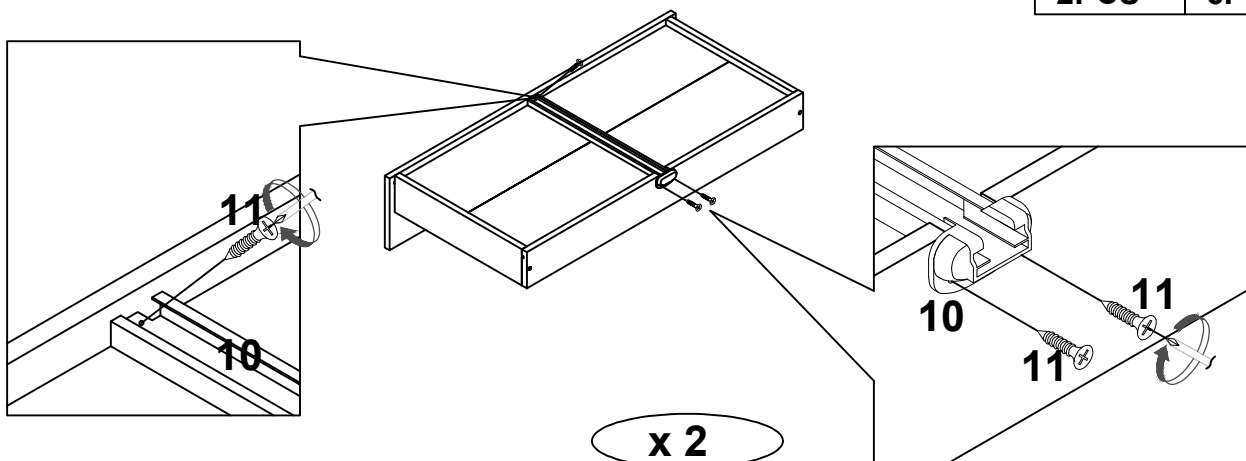
**STEP 11:**



**x 2**

<b>13</b>		<b>5</b>	
<b>8PCS</b>		<b>4PCS</b>	
		<b>4</b>	
		<b>4PCS</b>	

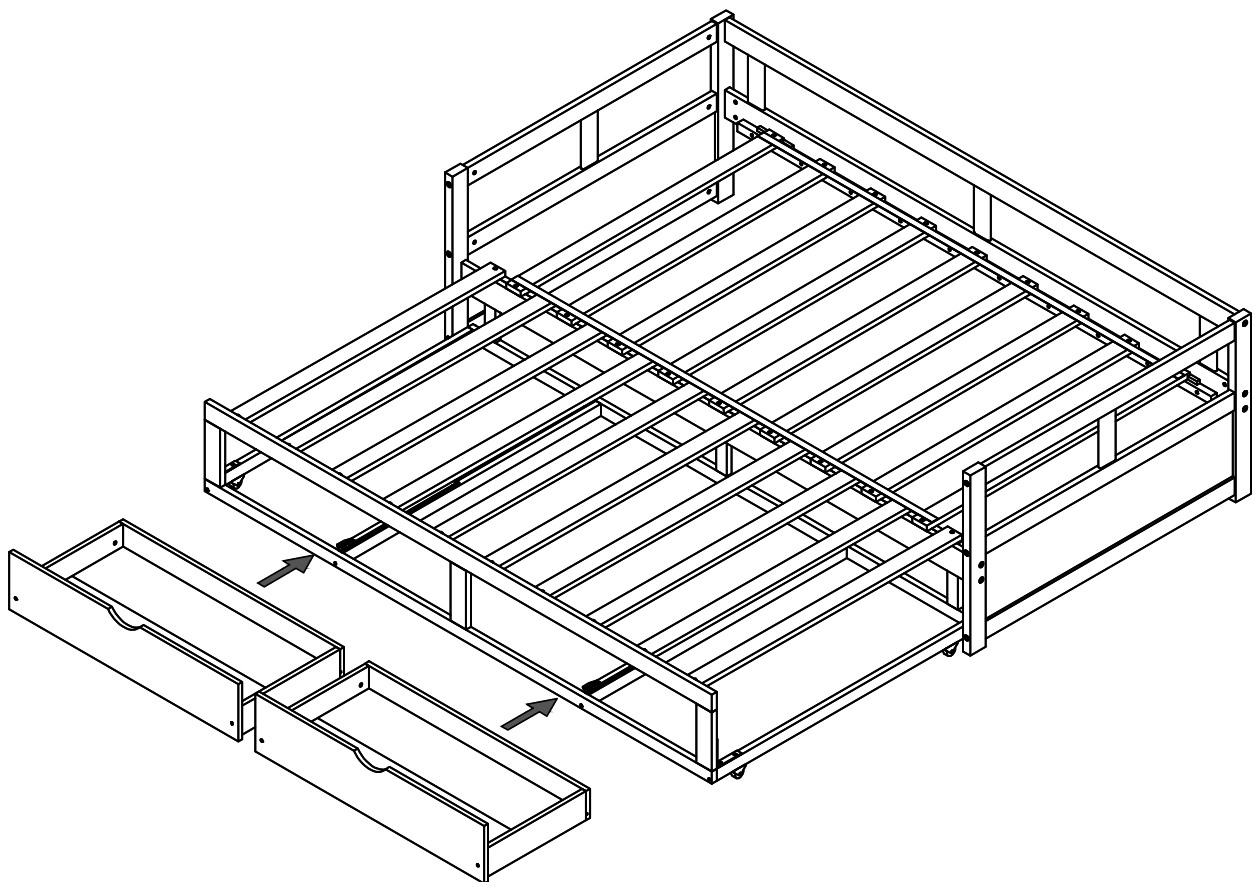
**STEP 12:**



**x 2**

<b>10</b>		<b>11</b>	
<b>2PCS</b>		<b>6PCS</b>	

**STEP 13:**



Push Drawer under the bottom of Trundle

