

# INSTRUCTION MANUAL

## TMA-0560

Electric Mower + String Trimmer + Turbo Blower

(D2LM417P+D2GT212+D2B297)

Using tips:  
Video on Youtube



Read before use.

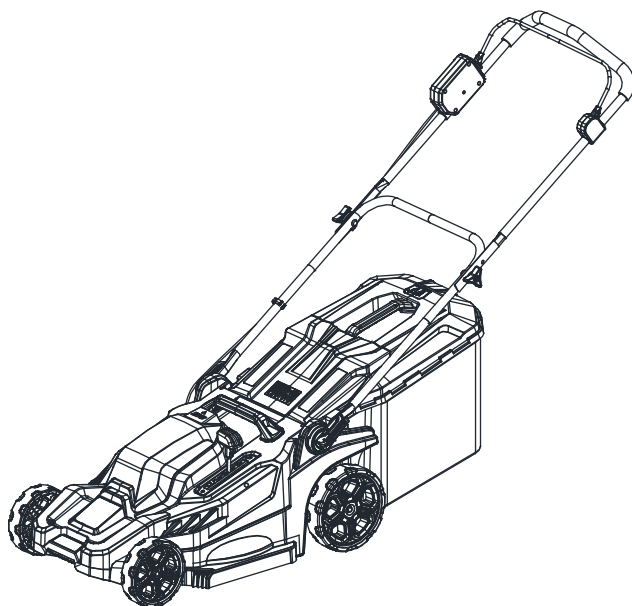
Customer Support (888)680-2849,

[inquiry@bilthardusa.com](mailto:inquiry@bilthardusa.com)

INSTRUCTION MANUAL

# Cordless Lawn Mower

## D2LM417P



Read before use.

# SPECIFICATIONS

Model No	D2LM417P
Rated Voltage	40V d.c. (2x20V d.c.)
No-load Speed	3100 r/min
Cutting Height	25mm – 75mm
Cutting-Height Positions	6 Settings
Cutting Size	430mm
Grass-Bag Volume	50L

## Battery Charger

Model No	DC2124L-U
Rating	Input: 100-240V 50-60Hz 70W max; Output: DC21VDC, 2.4A

## Battery








Model No	DBP5S2P14-B
Technical data	20V 4Ah 80Wh
Recommended operating temperature	14 – 104°F (-10 – 40°C)
Recommended storage temperature	32 – 104°F (0 – 40°C)
Recommended charging temperature	41 – 95°F (5 – 35°C)

**⚠ WARNING: Only use the Authorized battery cartridges and chargers .** Use of any other battery cartridges and chargers may cause injury and/or fire.

**⚠ WARNING: Do not use a corded power supply such as battery adapter or portable power pack with this machine.** The cable of such power supply may hinder the operation and result in personal injury.

## Symbols

The followings show the symbols which may be used for the equipment. Be sure that you understand their meaning before use.

	Take particular care and attention.
	Read instruction manual.
	Danger! Be aware of thrown objects.
	The distance between the tool and bystanders must be at least 15 m.
	Never put your hands and feet near the blade under the mower. Blades continue to rotate after the motor is switched off.
	Warning! Disconnect battery before maintenance.
	Warning! Activate the disabling device before maintenance.



Only for EU countries  
Due to the presence of hazardous components in the equipment, waste electrical and electronic equipment, accumulators and batteries may have a negative impact on the environment and human health. Do not dispose of electrical and electronic appliances or batteries with household waste!  
In accordance with the European Directive on waste electrical and electronic equipment and on accumulators and batteries and waste accumulators and batteries, as well as their adaptation to national law, waste electrical equipment, batteries and accumulators should be stored separately and delivered to a separate collection point for municipal waste, operating in accordance with the regulations on environmental protection.  
This is indicated by the symbol of the crossed-out wheeled bin placed on the equipment.

## Intended use

The machine is intended for lawn mowing.

# SAFETY WARNINGS

## General power tool safety warnings

**⚠️ WARNING:** Read all safety warnings, instructions, illustrations and specifications provided with this power tool. Failure to follow all instructions listed below may result in electric shock, fire and/or serious injury.

## Save all warnings and instructions for future reference.

The term "power tool" in the warnings refers to your mains-operated (corded) power tool or battery-operated (cordless) power tool.

### Work area safety

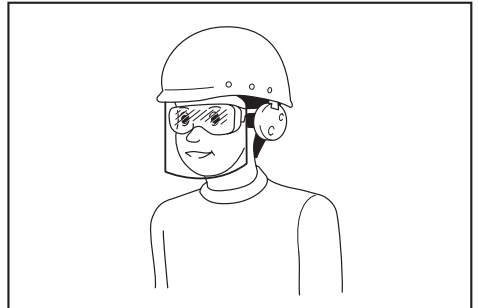
1. **Keep work area clean and well lit.** Cluttered or dark areas invite accidents.
2. **Do not operate power tools in explosive atmospheres, such as in the presence of flammable liquids, gases or dust.** Power tools create sparks which may ignite the dust or fumes.
3. **Keep children and bystanders away while operating a power tool.** Distractions can cause you to lose control.

### Electrical safety

1. **Power tool plugs must match the outlet. Never modify the plug in any way. Do not use any adapter plugs with earthed (grounded) power tools.** Unmodified plugs and matching outlets will reduce risk of electric shock.
2. **Avoid body contact with earthed or grounded surfaces, such as pipes, radiators, ranges and refrigerators.** There is an increased risk of electric shock if your body is earthed or grounded.
3. **Do not operate the lawnmower in rain or wet conditions.** This may increase the risk of electric shock.
4. **Do not abuse the cord. Never use the cord for carrying, pulling or unplugging the power tool. Keep cord away from heat, oil, sharp edges or moving parts.** Damaged or entangled cords increase the risk of electric shock.
5. **When operating a power tool outdoors, use an extension cord suitable for outdoor use.** Use of a cord suitable for outdoor use reduces the risk of electric shock.
6. **If operating a power tool in a damp location is unavoidable, use a residual current device (RCD) protected supply.** Use of an RCD reduces the risk of electric shock.
7. **Power tools can produce electromagnetic fields (EMF) that are not harmful to the user.** However, users of pacemakers and other similar medical devices should contact the maker of their device and/or doctor for advice before operating this power tool.

## Personal safety

1. **Stay alert, watch what you are doing and use common sense when operating a power tool. Do not use a power tool while you are tired or under the influence of drugs, alcohol or medication.** A moment of inattention while operating power tools may result in serious personal injury.
2. **Use personal protective equipment. Always wear eye protection.** Protective equipment such as a dust mask, non-skid safety shoes, hard hat or hearing protection used for appropriate conditions will reduce personal injuries.
3. **Prevent unintentional starting. Ensure the switch is in the off-position before connecting to power source and/or battery cartridges, picking up or carrying the tool.** Carrying power tools with your finger on the switch or energising power tools that have the switch on invites accidents.
4. **Remove any adjusting key or wrench before turning the power tool on.** A wrench or a key left attached to a rotating part of the power tool may result in personal injury.
5. **Do not overreach. Keep proper footing and balance at all times.** This enables better control of the power tool in unexpected situations.
6. **Dress properly. Do not wear loose clothing or jewellery. Keep your hair and clothing away from moving parts.** Loose clothes, jewellery or long hair can be caught in moving parts.
7. **If devices are provided for the connection of dust extraction and collection facilities, ensure these are connected and properly used.** Use of dust collection can reduce dust-related hazards.
8. **Do not let familiarity gained from frequent use of tools allow you to become complacent and ignore tool safety principles.** A careless action can cause severe injury within a fraction of a second.
9. **Always wear protective goggles to protect your eyes from injury when using power tools. The goggles must comply with ANSI Z87.1 in the USA, EN 166 in Europe, or AS/NZS 1336 in Australia/New Zealand. In Australia/New Zealand, it is legally required to wear a face shield to protect your face, too.**



It is an employer's responsibility to enforce the use of appropriate safety protective equipments by the tool operators and by other persons in the immediate working area.

### Power tool use and care

1. **Do not force the power tool. Use the correct power tool for your application.** The correct power tool will do the job better and safer at the rate for which it was designed.
2. **Do not use the power tool if the switch does not turn it on and off.** Any power tool that cannot be controlled with the switch is dangerous and must be repaired.
3. **Disconnect the plug from the power source and/or remove the battery cartridges, if detachable, from the power tool before making any adjustments, changing accessories, or storing power tools.** Such preventive safety measures reduce the risk of starting the power tool accidentally.
4. **Store idle power tools out of the reach of children and do not allow persons unfamiliar with the power tool or these instructions to operate the power tool.** Power tools are dangerous in the hands of untrained users.
5. **Maintain power tools and accessories. Check for misalignment or binding of moving parts, breakage of parts and any other condition that may affect the power tool's operation. If damaged, have the power tool repaired before use.** Many accidents are caused by poorly maintained power tools.
6. **Keep cutting tools sharp and clean.** Properly maintained cutting tools with sharp cutting edges are less likely to bind and are easier to control.
7. **Use the power tool, accessories and tool bits etc. in accordance with these instructions, taking into account the working conditions and the work to be performed.** Use of the power tool for operations different from those intended could result in a hazardous situation.
8. **Keep handles and grasping surfaces dry, clean and free from oil and grease.** Slippery handles and grasping surfaces do not allow for safe handling and control of the tool in unexpected situations.
9. **When using the tool, do not wear cloth work gloves which may be entangled.** The entanglement of cloth work gloves in the moving parts may result in personal injury.
3. **When battery cartridges are not in use, keep it away from other metal objects, like paper clips, coins, keys, nails, screws or other small metal objects, that can make a connection from one terminal to another.** Shorting the battery terminals together may cause burns or a fire.
4. **Under abusive conditions, liquid may be ejected from the battery; avoid contact. If contact accidentally occurs, flush with water. If liquid contacts eyes, additionally seek medical help.** Liquid ejected from the battery may cause irritation or burns.
5. **Do not use a battery cartridges or tool that is damaged or modified.** Damaged or modified batteries may exhibit unpredictable behaviour resulting in fire, explosion or risk of injury.
6. **Do not expose a battery cartridges or tool to re or excessive temperature.** Exposure to fire or temperature above 130 °C may cause explosion.
7. **Follow all charging instructions and do not charge the battery cartridges or tool outside the temperature range specified in the instructions.** Charging improperly or at temperatures outside the specified range may damage the battery and increase the risk of fire.

### Service

1. **Have your power tool serviced by a qualified repair person using only identical replacement parts.** This will ensure that the safety of the power tool is maintained.
2. **Never service damaged battery cartridges.** Service of battery cartridges should only be performed by the manufacturer or authorized service providers.
3. **Follow instruction for lubricating and changing accessories.**

### Battery tool use and care

1. **Recharge only with the charger specified by the manufacturer.** A charger that is suitable for one type of battery cartridges may create a risk of fire when used with another battery cartridges.
2. **Use power tools only with specifically designated battery cartridges.** Use of any other battery cartridges may create a risk of injury and fire.

## Cordless Lawn Mower Safety Warnings

1. **Do not use the lawnmower in bad weather conditions, especially when there is a risk of lightning.** *This decreases the risk of being struck by lightning.*
2. **Thoroughly inspect the area for wildlife where the lawnmower is to be used.** *Wildlife may be injured by the lawnmower during operation.*
3. **Thoroughly inspect the area where the lawnmower is to be used and remove all stones, sticks, wires, bones, and other foreign objects.** *Thrown objects can cause personal injury.*
4. **Before using the lawnmower, always visually inspect to see that the blade and the blade assembly are not worn or damaged.** *Worn or damaged parts increase the risk of injury.*
5. **Check the grass catcher frequently for wear or deterioration.** *A worn or damaged grass catcher may increase the risk of personal injury.*
6. **Keep guards in place. Guards must be in working order and be properly mounted.** *A guard that is loose, damaged, or is not functioning correctly may result in personal injury.*
7. **Keep all cooling air inlets clear of debris.** *Blocked air inlets and debris may result in overheating or risk of fire.*
8. **While operating the lawnmower, always wear non-slip and protective footwear. Do not operate the lawnmower when barefoot or wearing open sandals.** *This reduces the chance of injury to the feet from contact with the moving blade.*
9. **While operating the lawnmower, always wear long trousers.** *Exposed skin increases the likelihood of injury from thrown objects.*
10. **Do not operate the lawnmower in wet grass. Walk, never run.** *This reduces the risk of slipping and falling which may result in personal injury.*
11. **Do not operate the lawnmower on excessively steep slopes.** *This reduces the risk of loss of control, slipping and falling which may result in personal injury.*
12. **When working on slopes, always be sure of your footing, always work across the face of slopes, never up or down and exercise extreme caution when changing direction.** *This reduces the risk of loss of control, slipping and falling which may result in personal injury.*
13. **Use extreme caution when reversing or pulling the lawnmower towards you. Always be aware of your surroundings.** *This reduces the risk of tripping during operation.*
14. **Do not touch blades and other hazardous moving parts while they are still in motion.** *This reduces the risk of injury from moving parts.*
15. **When clearing jammed material or cleaning the lawnmower, make sure all power switches are off and the battery cartridges is disconnected.** *Unexpected operation of the lawnmower may result in serious personal injury.*

## SAVE THESE INSTRUCTIONS.

**⚠WARNING:** DO NOT let comfort or familiarity with product (gained from repeated use) replace strict adherence to safety rules for the subject product.

**MISUSE** or failure to follow the safety rules stated in this instruction manual may cause serious personal injury.

## IMPORTANT SAFETY INSTRUCTIONS

**⚠WARNING:** Read all safety warnings and all instructions. Failure to follow the warnings and instructions may result in electric shock, fire and/or serious injury.

## Save all warnings and instructions for future reference.

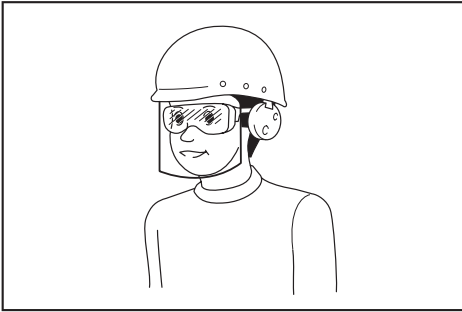
### Training

1. **Read the instructions carefully. Be familiar with the controls and the proper use of the mower.**
2. **Never allow children or people unfamiliar with these instructions to use the mower.** Local regulations can restrict the age of the operator.
3. **Never operate the mower while people, especially children, or pets are nearby.**
4. **Keep in mind that the operator or user is responsible for accidents or hazards occurring to other people or their property.**
5. **Children should be supervised to ensure that they do not play with the mower.**
6. **Physical condition - Do not operate mower while under the influence of drugs, alcohol, or any medication.**

### Preparation

1. **While operating the mower, always wear substantial footwear and long trousers. Do not operate the mower when barefoot or wearing open sandals. Avoid wearing clothing or jewelry that is loose fitting or that has hanging cords or ties. They can be caught in moving parts.**
2. **Before use, always visually inspect the mower for damaged, missing, or misplaced guards or shields.**
3. **Be sure the area is clear of other people before mowing. Stop mower if anyone enters the area.**

4. Do not start the mower until it is ready to be used.
5. Always wear protective goggles to protect your eyes from injury when using power tools. The goggles must comply with ANSI Z87.1 in the USA, EN 166 in Europe, or AS/NZS 1336 in Australia/New Zealand. In Australia/New Zealand, it is legally required to wear a face shield to protect your face, too.



It is an employer's responsibility to enforce the use of appropriate safety protective equipments by the tool operators and by other persons in the immediate working area.

6. Check the blades or blade bolts carefully for cracks or damage before operation. Replace cracked or damaged blades or blade bolts immediately.
7. Remove foreign matters such as rocks, wire, bottles, bones and large sticks from the work area before mowing to prevent personal injury or damage to the mower.
8. Objects struck by the mower blade can cause severe injuries to persons. The lawn should always be carefully examined and cleared of all objects prior to each mowing.
9. Watch for holes, ruts, bumps, rocks, or other hidden objects. Uneven terrain could cause a slip and fall accident. Tall grass can hide obstacles.
10. Use personal protective equipment. Always wear eye protection. Protective equipment such as a dust mask, non-skid safety shoes, hard hat or hearing protection used for appropriate conditions will reduce personal injuries.

#### Operation

1. Do not overreach. Keep the balance at all times. Always be sure of the footing on slopes. Walk, never run.
2. Stop the mower and remove the battery, and make sure that all moving parts have come to a complete stop:
  - whenever you leave the mower,
  - before clearing blockages or unclogging chute,
  - before checking, cleaning or working on the mower,
  - after striking a foreign object. Inspect the mower for damage and make repairs before restarting and operating the mower,
  - whenever the mower starts vibrating abnormally.

3. Never operate the mower with defective guards or shields, or without safety devices, for example deflectors and/or grass basket, in place.
4. Avoid using the mower in bad weather conditions especially when there is a risk of lightning.
5. Wear eye protection and stout shoes at all times while operating the mower.
6. Operate the mower only in daylight or in good artificial light.
7. Switch on the mower carefully according to instructions and with feet well away from the blade(s).
8. Take care against injury to feet and hands from the mower blades.
9. Always ensure that the ventilation openings are kept clear of debris.
10. Mow across the face of slopes, never up and down. Exercise extreme caution when changing direction on slopes. Do not mow excessively steep slopes.
11. Use extreme caution when reversing or pulling the mower towards you.
12. Stop the blade(s) if the mower has to be tilted for transportation when crossing surfaces other than grass, and when transporting the mower to and from the area to be used.
13. Do not tilt the mower when switching on the motor, except if the mower has to be tilted for starting. In this case, do not tilt it more than absolutely necessary and lift only the part, which is away from the operator. Always ensure that both hands are in the operating position before returning the mower to the ground.
14. Do not put hands or feet near or under rotating parts. Keep clear of the discharge opening at all times.
15. Do not transport the mower while the mower is turned on.
16. Avoid operating the mower in wet grass.
17. Always keep a firm hold on the handle.
18. Don't grasp the exposed cutting blades or cutting edges when picking up or holding the mower.
19. Keep hands and feet away from rotating blades. Caution - Blades coast after the mower is switched off.
20. Stop operation immediately if you notice anything unusual. Switch off the mower and remove the battery. Then inspect the mower.
21. Never attempt to make cutting height adjustments while mower is running if the mower has cutting height adjustment feature.
22. Release switch lever and wait for blade rotation to stop before crossing driveways, walks, roads, and any gravel-covered areas. Also remove the battery if you leave the mower, reach to pick up or remove something out of your way, or for any other reason that may distract you from what you are doing.

23. **If the mower strikes a foreign object, follow these steps:**
  - Stop the mower, release the switch lever and wait until the blade comes to a complete stop.
  - Remove the battery.
  - Thoroughly inspect the mower for any damage.
  - Replace the blade if it is damaged in any way. Repair any damage before restarting and continuing to operate the mower.
24. **Do not start the mower when standing in front of the discharge opening.**
25. **If the mower starts to vibrate abnormally (check immediately)**
  - inspect for damage,
  - replace or repair any damaged parts,
  - check for and tighten any loose parts.
26. **Never direct discharged material toward anyone. Avoid discharging material against a wall or obstruction.** Material may ricochet back toward the operator. Stop the blade when crossing gravel surfaces.
27. **Do not pull the mower backwards unless absolutely necessary.** When you are compelled to back the mower from a fence or other similar obstruction, look down and behind before and while moving backwards.
28. **Shut the motor off and wait until the blade comes to a complete stop before removing the grass catcher.** Beware that the blades coast after turn off.
29. **When you use the machine on muddy ground, wet slope, or slippery place, pay attention to your footing.**
30. **Do not submerge the machine into a puddle.**
31. **When operating the machine, pay attention to piping and wiring.**

#### Maintenance and storage

1. **Replace worn or damaged parts for safety.** Use only genuine replacement parts and accessories.
2. **Inspect and maintain the mower regularly.**
3. **When not in use, store the mower out of the reach of children.**
4. **Keep all nuts, bolts, and screws tight to be sure the equipment is in safe working condition.**
5. **Check the grass basket frequently for wear or deterioration. For storage, always make sure the grass basket is empty. Replace a worn grass basket with a new factory replacement for safety.**
6. **Use only the manufacturer genuine blades specified in this manual.**
7. **Be careful during adjustment of the mower to prevent entrapment of the fingers between moving blades and fixed parts of the mower.**
8. **Check the blade mounting bolt at frequent intervals for proper tightness.**
9. **Always allow the mower to cool down before storing.**
10. **When servicing the blades be aware that, even though the power source is switched off, the blades can still be moved.**

11. **Never remove or tamper with safety devices.** Check their proper operation regularly. Never do anything to interfere with the intended function of a safety device or to reduce the protection provided by a safety device.
12. **Do not leave the machine unattended outdoors in the rain.**
13. **When storing the machine, avoid direct sunlight and rain, and store it in a place where it does not get hot or humid.**

#### Battery tool use and care

1. **Recharge only with the charger specified by the manufacturer.** A charger that is suitable for one type of battery cartridges may create a risk of fire when used with another battery cartridges.
2. **Use power tools only with specifically designated battery cartridges.** Use of any other battery cartridges may create a risk of injury and fire.
3. **When battery cartridges are not in use, keep it away from other metal objects, like paper clips, coins, keys, nails, screws or other small metal objects, that can make a connection from one terminal to another.** Shorting the battery terminals together may cause burns or a fire.
4. **Under abusive conditions, liquid may be ejected from the battery; avoid contact. If contact accidentally occurs, flush with water. If liquid contacts eyes, additionally seek medical help.** Liquid ejected from the battery may cause irritation or burns.
5. **Do not use a battery cartridges or tool that is damaged or modified.** Damaged or modified batteries may exhibit unpredictable behaviour resulting in fire, explosion or risk of injury.
6. **Do not expose a battery cartridges or tool to fire or excessive temperature.** Exposure to fire or temperature above 130 °C may cause explosion.
7. **Follow all charging instructions and do not charge the battery cartridges or tool outside the temperature range specified in the instructions.** Charging improperly or at temperatures outside the specified range may damage the battery and increase the risk of fire.

#### Electrical and battery safety

1. **Do not dispose of the battery(ies) in a fire.** The cell may explode. Check with local codes for possible special disposal instructions.
2. **Do not open or mutilate the battery(ies).** Released electrolyte is corrosive and may cause damage to the eyes or skin. It may be toxic if swallowed.
3. **Do not charge battery in rain, or in wet locations.**
4. **Do not charge the battery outdoors.**
5. **Do not handle charger, including charger plug, and charger terminals with wet hands.**
6. **Do not replace the battery in the rain.**
7. **Do not wet the terminal of battery with liquid such as water, or submerge the battery. Do not leave the battery in the rain, nor charge, use, or store the battery in a damp or wet place.** If the terminal gets wet or liquid enters inside of battery, the battery may be short circuited and there is a risk of overheat, fire, or explosion.

8. After removing the battery from the machine or charger, be sure to attach the battery cover to the battery and store it in a dry place.
9. Do not replace the battery with wet hands.
10. Avoid dangerous environment. Don't use the machine in dump or wet locations or expose it to rain. Water entering the machine will increase the risk of electric shock.

#### Service

1. Have your power tool serviced by a qualified repair person using only identical replacement parts. This will ensure that the safety of the power tool is maintained.
2. Never service damaged battery cartridges. Service of battery cartridges should only be performed by the manufacturer or authorized service providers.

## SAVE THESE INSTRUCTIONS.

**⚠WARNING:** DO NOT let comfort or familiarity with product (gained from repeated use) replace strict adherence to safety rules for the subject product.

MISUSE or failure to follow the safety rules stated in this instruction manual may cause serious personal injury.

### Important safety instructions for battery cartridge

1. Before using battery cartridge, read all instructions and cautionary markings on (1) battery charger, (2) battery, and (3) product using battery.
2. Do not disassemble or tamper with the battery cartridge. It may result in a fire, excessive heat, or explosion.
3. If operating time has become excessively shorter, stop operating immediately. It may result in a risk of overheating, possible burns and even an explosion.
4. If electrolyte gets into your eyes, rinse them out with clear water and seek medical attention right away. It may result in loss of your eyesight.
5. Do not short the battery cartridge:
  - (1) Do not touch the terminals with any conductive material.
  - (2) Avoid storing battery cartridge in a container with other metal objects such as nails, coins, etc.
  - (3) Do not expose battery cartridge to water or rain.

A battery short can cause a large current flow, overheating, possible burns and even a breakdown.

6. Do not store and use the tool and battery cartridge in locations where the temperature may reach or exceed 40 °C (104 °F).
7. Do not incinerate the battery cartridge even if it is severely damaged or completely worn out. The battery cartridge can explode in a fire.
8. Do not nail, cut, crush, throw, drop the battery cartridge, or hit against a hard object to the battery cartridge. Such conduct may result in a fire, excessive heat, or explosion.
9. Do not use a damaged battery.
10. The contained lithium-ion batteries are subject to the Dangerous Goods Legislation requirements.
 

For commercial transports e.g. by third parties, forwarding agents, special requirement on packaging and labeling must be observed.

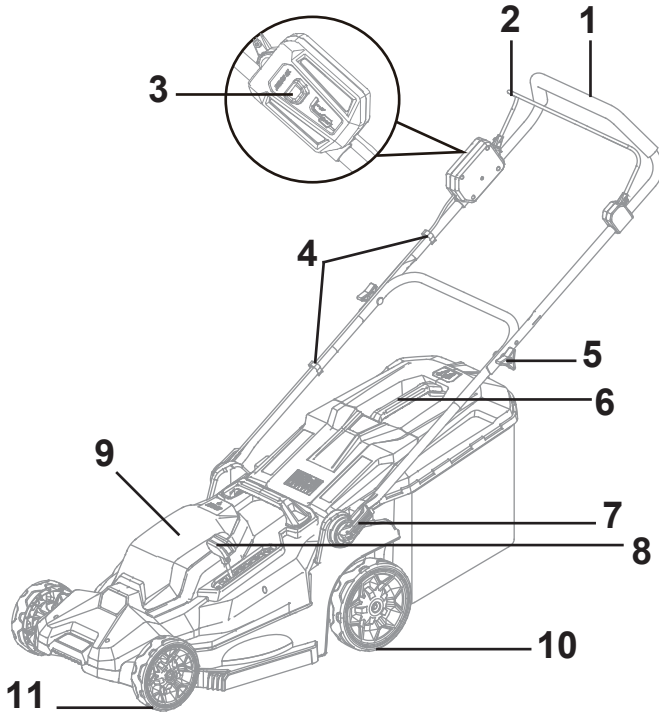
For preparation of the item being shipped, consulting an expert for hazardous material is required. Please also observe possibly more detailed national regulations.

Tape or mask off open contacts and pack up the battery in such a manner that it cannot move around in the packaging.
11. When disposing of the battery cartridge, remove it from the tool and dispose of it in a safe place. Follow your local regulations relating to disposal of battery.
12. Use the batteries only with the products specified by BILT HARD. Installing the batteries to non-compliant products may result in a fire, excessive heat, explosion, or leak of electrolyte.
13. If the tool is not used for a long period of time, the battery must be removed from the tool.
14. During and after use, the battery cartridge may take on heat which can cause burns or low temperature burns. Pay attention to the handling of hot battery cartridges.
15. Do not touch the terminal of the tool immediately after use as it may get hot enough to cause burns.
16. Do not allow chips, dust, or soil stuck into the terminals, holes, and grooves of the battery cartridge. It may cause heating, catching fire, burst and malfunction of the tool or battery cartridge, resulting in burns or personal injury.
17. Unless the tool supports the use near high-voltage electrical power lines, do not use the battery cartridge near high-voltage electrical power lines. It may result in a malfunction or breakdown of the tool or battery cartridge.
18. Keep the battery away from children.

## SAVE THESE INSTRUCTIONS.

**⚠CAUTION:** Only use genuine BILT HARD batteries. Use of non-genuine BILT HARD batteries, or batteries that have been altered, may result in the battery bursting causing fires, personal injury and damage. It will also void the BILT HARD warranty for the BILT HARD tool and charger.

# KNOW YOUR UNIT



- 1. Drive lever (clutch lever)
- 2. Switch lever
- 3. Switch button
- 4. Holder

- 5. Thumb nut
- 6. Grass basket
- 7. Clamping lever
- 8. Height adjusting lever

- 9. Battery cover
- 10. Rear wheel
- 11. Front wheel

## Tips for maintaining maximum battery life

1. Charge the battery cartridge before completely discharged. Always stop tool operation and charge the battery cartridge when you notice less tool power.
2. Never recharge a fully charged battery cartridge. Overcharging shortens the battery service life.
3. Charge the battery cartridge with room temperature at 10 °C - 40 °C (50 °F - 104 °F). Let a hot battery cartridge cool down before charging it.
4. When not using the battery cartridge, remove it from the tool or the charger.
5. Charge the battery cartridge if you do not use it for a long period (more than six months).

**NOTE:** Make sure that there is no gap between the lower handle and the mower body after the clamping levers are folded.

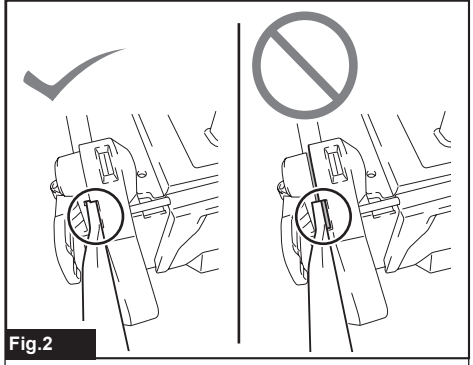


Fig.2

## ASSEMBLY

**⚠ WARNING:** Always be sure that the battery cartridges are removed before carrying out any work on the mower. Failure to remove the battery cartridges may result in serious personal injury from accidental start-up.

**⚠ WARNING:** Never start the mower unless it is completely assembled. Operation of the machine in a partially assembled state may result in serious personal injury from accidental start-up.

### Installing the handle

**NOTICE:** When installing handles, position the cord so that it is not caught by anything between the handles. If the cord is damaged, the mower switch may not work.

1. Place the both ends of lower handle into the grooves of the mower body, then tighten the clamping levers, and then fold the clamping levers.

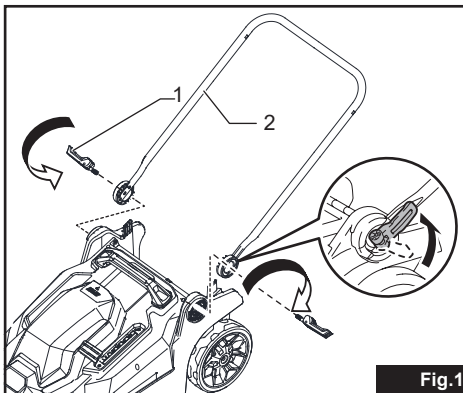


Fig.1

- 1. Clamping lever\*2 2. Lower handle

2. Align the hole in the upper handle with the hole in the lower handle, then insert the bolt from inside, and then tighten the thumb nut from outside. Perform the same procedure on the other side.

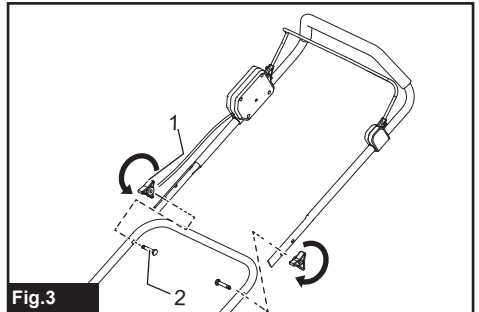


Fig.3

- 1. Thumb nut\*2 2. Bolt M8\*45mm\*2

**NOTE:** Hold the upper handle firmly so that it does not drop off your hand.

3. Attach the holder to the handle. Position the cord as shown in the figure.

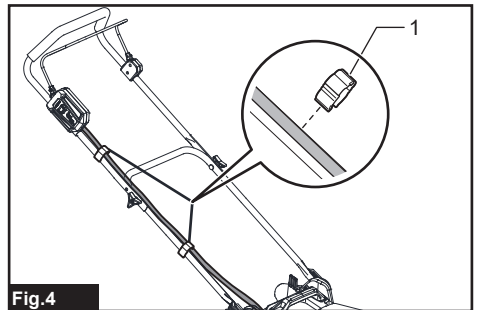
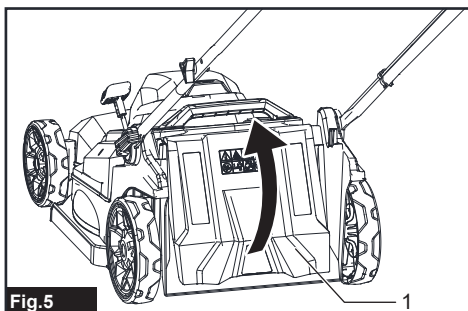


Fig.4

- 1. Holder

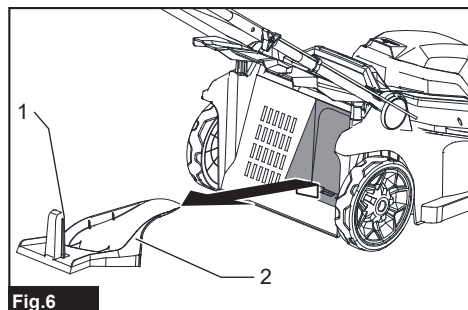
## Removing the mulching plug

1. Open the rear cover.



► 1. Rear cover

2. Hold the mulching plug by the handle, and then pull it out from the mower body as shown in the figure.

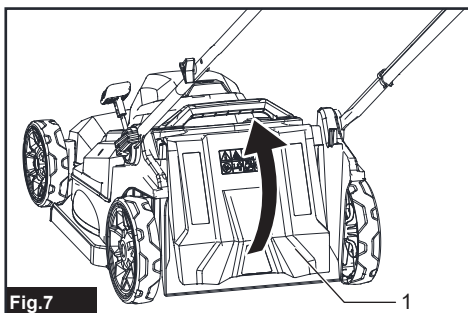


► 1. Handle 2. Mulching plug

## Installing or removing the grass basket

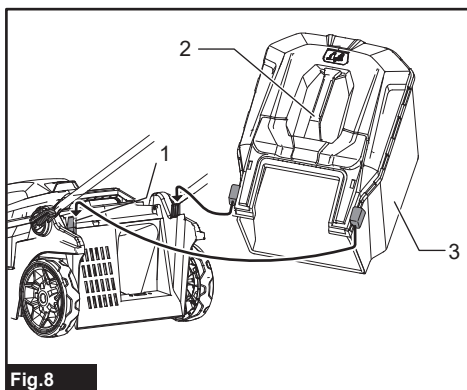
To install the grass basket, follow the steps below.

1. Open the rear cover.



► 1. Rear cover

2. Hold the handle of the grass basket, and then hook the grass basket on the anchor stud of the mower body as shown in the figure. (The mulching plug needs to be removed when installing the collection bag.)

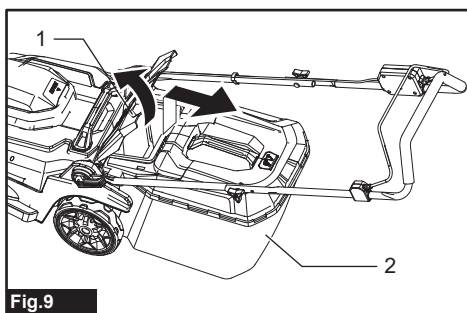


► 1. Anchor stud 2. Handle 3. Grass basket

To remove the grass basket, open the rear cover, and then remove the grass basket by holding the handle.

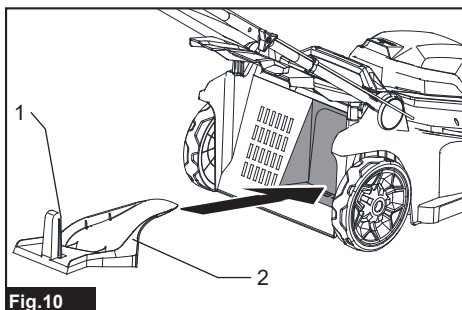
## Attaching the mulching plug

1. Open the rear cover, and then remove the grass basket. (When you operate the machine with the mulching plug, be sure to remove the grass basket.)



► 1. Rear cover 2. Grass basket

2. Hold the mulching plug by the handle, and then attach it to the mower body by pushing it as far as it will go as shown in the figure.



► 1. Handle 2. Mulching plug

# FUNCTIONAL DESCRIPTION

## Installing or removing battery cartridges

**⚠ CAUTION:** Always switch off the machine before installing or removing of the battery cartridges.

**⚠ CAUTION:** Hold the machine and the battery cartridges firmly when installing or removing battery cartridges. Failure to hold the machine and the battery cartridges firmly may cause them to slip off your hands and result in damage to the machine and battery cartridges and a personal injury.

**⚠ CAUTION:** Make sure that you lock the battery cover before use. Otherwise, mud, dirt, or water may cause damage to the product or the battery cartridges

**⚠ CAUTION:** Always install the battery cartridges fully until the red indicator cannot be seen. If not, it may accidentally fall out of the machine, causing injury to you or someone around you.

**⚠ CAUTION:** Do not install the battery cartridges forcibly. If the cartridge does not slide in easily, it is not being inserted correctly.

**⚠ CAUTION:** Hold the battery cover firmly when installing or removing the battery cartridges.

### To install the battery cartridges;

1. Lift and hold up the battery cover

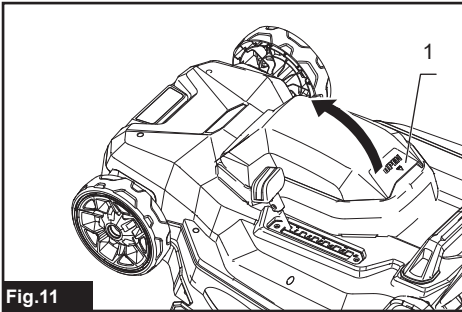
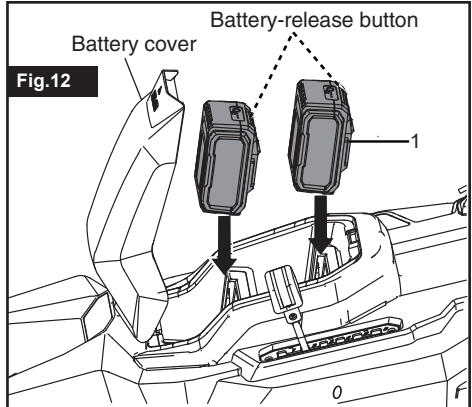


Fig.11

- 1. Battery cover

2. Align the grooves in each battery cartridge with the raised ribs in each of the mower's battery compartment. Then insert the battery cartridge into its corresponding compartment. Push the battery cartridge until you hear a "click". It indicates that the battery cartridge is securely attached.



- 1. Battery cartridges

### To remove the battery cartridges from the mower;

1. Open the battery cover
2. To detach the battery cartridges, depress the battery release button to release the first battery cartridge, and then lift it out of the compartment. Repeat the same procedure with the second battery cartridge.
3. Close the battery cover.

## Machine / battery protection system

The machine is equipped with a machine or battery protection system. The system can automatically cut off the power supply to the motor to extend the lifespan of the machine and battery.

If the machine or battery is in one of the following conditions, the machine will automatically stop during operation.

### Overload protection

When a machine or battery operates in a manner that causes it to produce an abnormally high current, the machine automatically shuts down. In this case, shut down the mower and remove the factors that caused the overload. Then turn on the machine to restart.

### Overheat protection

When the machine overheats, the machine automatically stops and lets the machine cool down before restarting.

When the battery overheats, the green light of the battery system blinks together to stop the power supply to the machine. The machine automatically stops and restarts after cooling with the battery.

### Under-voltage protection

When the battery capacity is low, the machine automatically stop, if the machine does not work after the switch operation, please remove the battery from the machine, and then charge the battery.

## Protections against other causes

Protection system is also designed for other causes that could damage the machine and allows the machine to stop automatically. Take all the following steps to clear the causes, when the machine has been brought to a temporary halt or stop in operation.

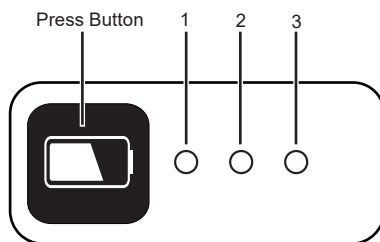
1. Turn the machine off, and then turn it on again to restart.
2. Charge the battery(ies) or replace it/them with recharged battery(ies).
3. Let the machine and battery(ies) cool down.

If no improvement can be found by restoring protection system, then contact your Authorized Service Center.

**NOTE:** The timing, at which the lamp lights up, depends on the temperature at work place and the battery cartridge conditions.

## Indicating the remaining battery capacity

*Only for battery cartridges with the indicator*



Press the check button on the battery cartridge to indicate the remaining battery capacity. The indicator lamps light up for a few seconds.

LED lights	Battery status
All LED are on	Full charged (70-100%)
LED 1, 2 are on	Battery is 35%-70% charged
LED 1 is on	Battery is depleted (0%-35%). Charge the battery.

**NOTE:** Depending on the conditions of use and the ambient temperature, the indication may differ slightly from the actual capacity.

**NOTE:** The first (far left) indicator lamp will blink when the battery protection system works.

## Switch action

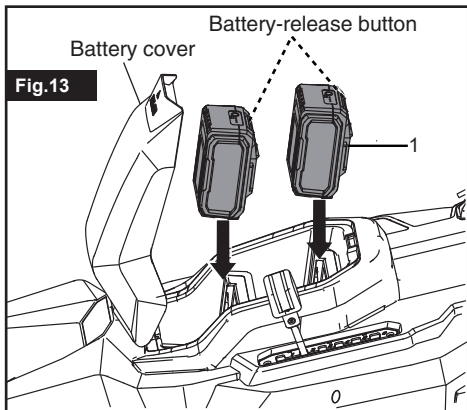
**⚠WARNING:** Before installing the battery cartridges, always check to see that the switch lever actuates properly and returns to the original position when released. Operating a machine with a switch that does not actuate properly can lead to loss of control and serious personal injury.

**NOTE:** The mower does not start without pressing the switch button even the switch lever is pulled.

**NOTE:** Mower may not start due to the overload when you try to mow long or dense grass at a time. Increase the mowing height in this case.

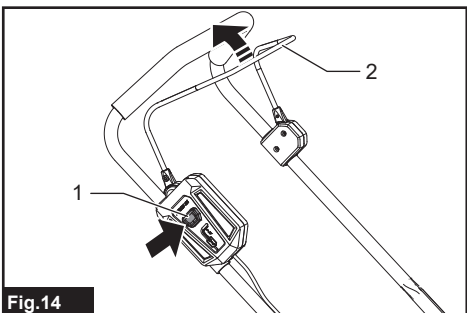
This mower is equipped with handle switch. If you notice anything unusual, stop operation immediately and have them checked by your nearest Authorized Service Center.

1. Install the battery cartridges.  
Then close the battery cover firmly.



- ▶ 1. Battery cartridge

2. Press and hold the switch button to power on the device.
3. Hold the upper handle and pull the switch lever.



- ▶ 1. Switch button 2. Switch lever

4. Release the switch button as soon as the motor starts running. The mower will continue to run until you release the switch lever.

5. Release the switch lever to stop the motor.

## Adjusting the mowing height

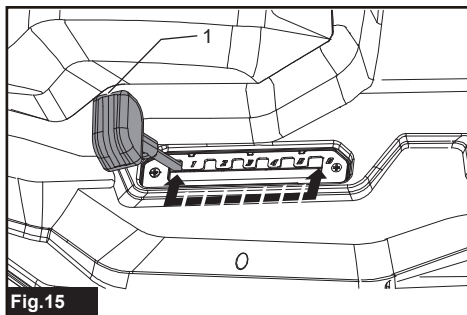
**⚠WARNING:** Never put your hand or leg under the mower body when adjusting the mowing height.

**⚠WARNING:** Always make sure that the lever fits in the groove properly before operation.

**⚠WARNING:** Do not touch rotating blade.

The mowing height can be adjusted in the range of between 25 mm and 75 mm.

Turn off the power of the lawn mower, let it in a stopped state, and then pull the mowing height adjusting lever outward of the mower body and move it to your desired mowing height.



- ▶ 1. Mowing height adjusting lever

The table below shows the relationship between the number on the mower body and the approximate mowing height.

Number	Mowing height
1	25 mm
2	35 mm
3	45 mm
4	55 mm
5	65 mm
6	75 mm

**NOTE:** The mowing height figures should be used just as a guideline. Depending on the conditions of the lawn or the ground, the actual lawn height may become slightly different from the set height.

**NOTE:** Try a test mowing of grass in a less conspicuous place to get your desired height.

## Adjusting the handle height

**⚠ WARNING:** Do not touch rotating blade.

**⚠ CAUTION:** Before removing the bolts, hold the upper handle firmly. Otherwise, the handle may fall and cause an injury.

The handle height can be adjusted in two levels.

1. Loosen the thumb nuts of the handle, and then remove the bolts and thumb nuts.

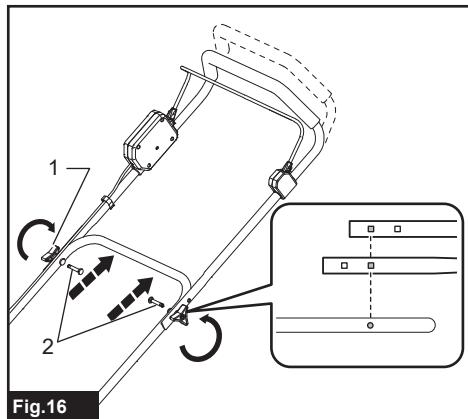


Fig.16

- 1. Thumb nut 2. Bolt M8\*45mm\*2

2. Adjust the handle height.
3. Insert the bolts from inside, and then tighten the thumb nuts from outside.

## Using mulching plug

The mulching plug allows you to return the cut grass to the ground without gathering the cut grass in the grass basket. When you operate the machine with the mulching plug, be sure to remove the grass basket.

**NOTICE:** When using the machine with the mulching plug, make sure that the total length of grass after cutting is 35 mm or more, Length of each cutting is 15 mm or less. Trying to mulch clippings of greater length will cause them to clump-up beneath the deck and not be mulched properly.

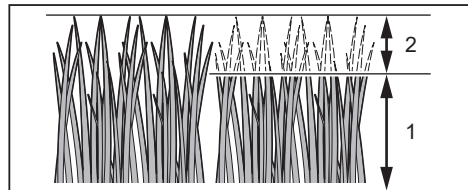


Fig.17

- (1) 30 mm or more (2) 15 mm or less

## OPERATION

### Mowing

**⚠ WARNING:** Before mowing, clear away sticks and stones from mowing area. Furthermore, clear away any weeds from mowing area in advance.

**⚠ WARNING:** Always wear the safety goggles or safety glasses with side shields when operating the mower.

**⚠ CAUTION:** If the cut grass or foreign object blocks up inside of the mower body, be sure to remove the battery cartridges and wear gloves before removing the grass or foreign object.

**NOTICE:** Use this machine for mowing lawn only. Do not mow weeds with this machine.



Fig.18

Firmly hold the handle with both hands when mowing.

The mowing speed guideline is approximately 2 to 4 seconds per 1 meter.

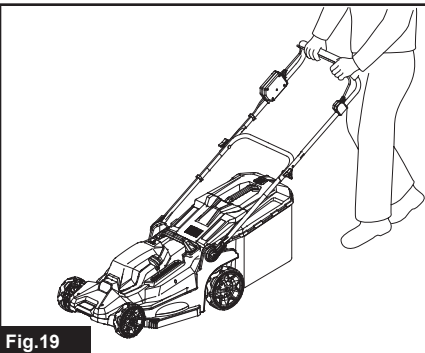


Fig.19

The center lines of the front wheels are guidelines to mowing width. Using the center lines as guidelines, mow in strips. Overlap by one half to one third the previous strip to mow the lawn evenly.

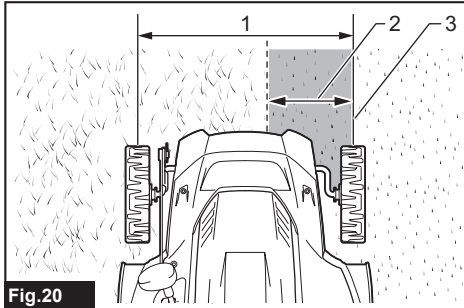


Fig.20

- ▶ 1. Mowing width 2. Overlapping area 3. Center line

Change the mowing direction each time to prevent the grass grain pattern from forming in just one direction.

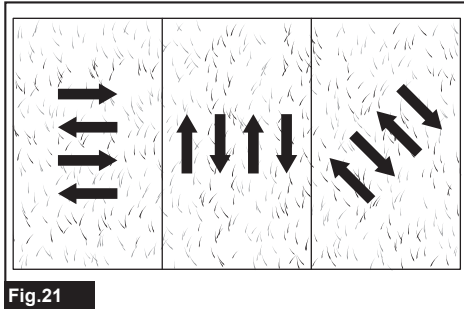


Fig.21

Periodically check the grass basket for mowed grass. Empty the grass before it becomes full. Before every periodical check, be sure to stop the mower then the battery cartridge.

**NOTICE:** Using the mower with the grass basket full prevents smooth blade rotation and places an extra load on the motor, which may cause breakdown.

### Mowing a long-grass lawn

Do not try to cut long grass all in one go. Instead, mow the lawn in some steps. Leave a day or two between mows until the lawn becomes evenly short.

**NOTE:** Mowing long grass to a short length all in one go may cause the grass to die. The cut grass may also block up inside of the mower body.

### Emptying the grass basket

**WARNING:** To reduce a risk of accident, regularly check the grass basket for any damage or weakened strength. Replace the grass basket if necessary.

1. Release the switch lever.
2. Remove the batteries.

3. Open the rear cover and take out the grass basket by holding the handle.

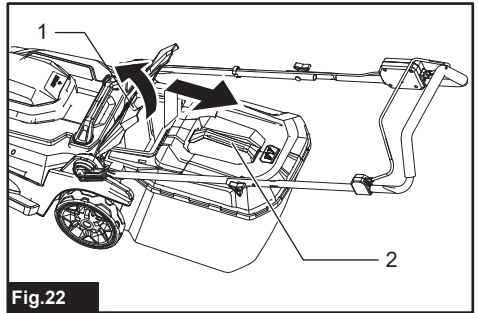


Fig.22

- ▶ 1. Rear cover 2. Handle

4. Empty the grass basket.

## MAINTENANCE

**WARNING:** Always be sure that the battery cartridges are removed from the mower before storing or carrying the mower or attempting to perform inspection or maintenance.

**WARNING:** Always remove the batteries when the mower is not in use. Store the battery in a safe place out of reach of children.

**WARNING:** Wear gloves when performing inspection or maintenance.

**WARNING:** Always wear the safety goggles or safety glasses with side shields when performing inspection or maintenance.

**NOTICE:** Never use gasoline, benzine, thinner, alcohol or the like. Discoloration, deformation or cracks may result.

To maintain product SAFETY and RELIABILITY, repairs, any other maintenance or adjustment should be performed by Authorized or Factory Service Centers, always using original replacement parts.

### Maintenance

1. Remove the battery cartridges, and then close the battery cover.
2. Put the mower on its side. Clean grass clippings accumulated on the underside of mower deck.
3. Pour water toward the bottom of the machine to which the blade is attached.

**NOTICE:** Do not wash the machine with high pressure water.

4. Check all nuts, bolts, screws, etc. for tightness.
5. Inspect moving parts for damage, breakage, and wear. Damaged or missing parts should be repaired or replaced.
6. Store the mower in a safe place out of the reach of children.

## Storage

**CAUTION:** When putting the machine in the upright position, place the machine on a flat and stable surface. If the machine is placed on an unstable surface, the machine may fall over and cause an injury.

Store mower indoors in a cool, dry and locked place. Don't store the mower and charger in locations where the temperature may reach or exceed 40 °C.

1. Remove the battery cartridge.
2. Remove the grass basket.
3. Unfold the clamping levers, then fold the handle, and then fold the clamping levers.

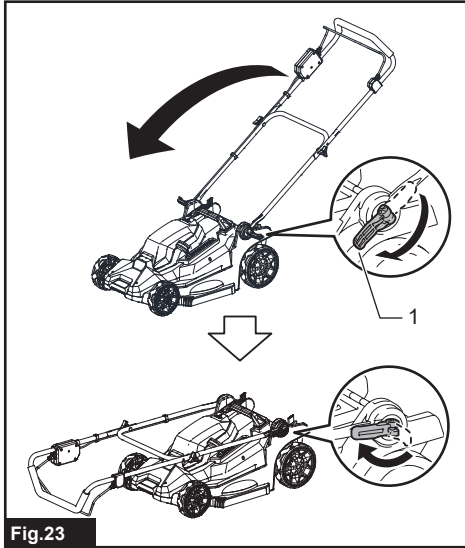


Fig.23

- 1. Clamping lever

4. Loosen the thumb nuts of the handle, and then fold the upper handle.

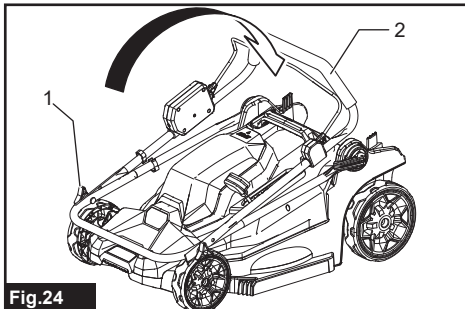


Fig.24

- 1. Thumb nut 2. Upper handle

5. Place the machine in the upright position.

**NOTE:** When putting the mower in the upright position, do not hold the handle only, but hold the mower body and handle.

6. Store the grass basket between the handle and the mower body.

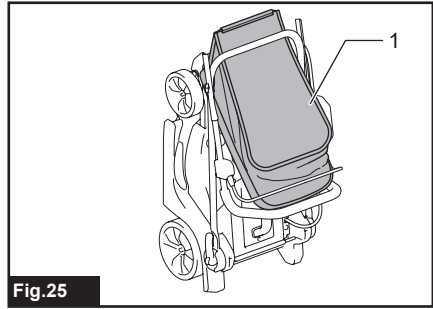


Fig.25

- 1. Grass basket

## Carrying the mower

**CAUTION:** Before carrying the mower, make sure that the battery cartridges are removed.

When carrying the mower, hold the rear grip and the lower holding part at the front of the machine as shown in the figure.

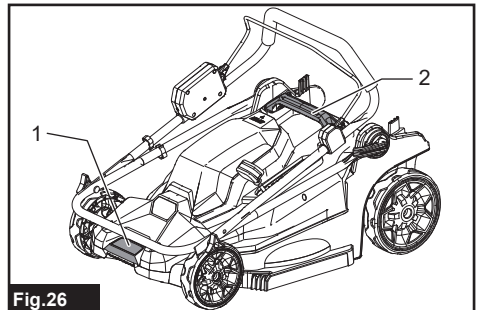


Fig.26

- 1. Lower holding part 2. Rear grip

## Removing or installing the mower blade

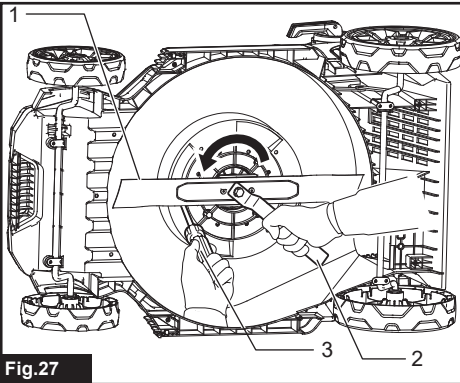
**WARNING:** Always remove the battery cartridges when removing or installing the blade. Failure to remove the battery cartridges may cause a serious injury.

**WARNING:** The blade coasts for a few seconds after releasing the switch. Do not start any operation until the blade comes to a complete stop.

**WARNING:** Always wear gloves when handling the blade.

## Removing the mower blade

1. Put the mower on its side so that the mowing height adjusting lever comes to the upper side.
2. To lock the blade rotation, insert a screwdriver or a similar tool into a hole on the mower body.
3. Turn the bolt counterclockwise with the wrench.



► 1. Mower blade 2. Wrench 3. Screwdriver

4. Remove the bolt and blade in order.

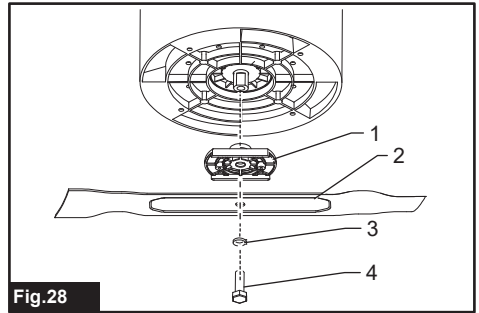


Fig.28

- 1. Blade support 2. Mower blade  
► 3. Washer  $\varnothing 10\text{mm}$  4. Bolt M10\*30mm

## Installing the mower blade

To install the mower blade, take the removal procedure in reverse.

**⚠WARNING:** Install the mower blade carefully. It has a top/bottom facing.

**⚠WARNING:** Tighten the bolt clockwise firmly to secure the blade.

**⚠WARNING:** Make sure that the mower blade and all the fixing parts are installed correctly and tightened securely.

**⚠WARNING:** When you replace the blades, always follow the instructions provided in this manual.

## TROUBLESHOOTING

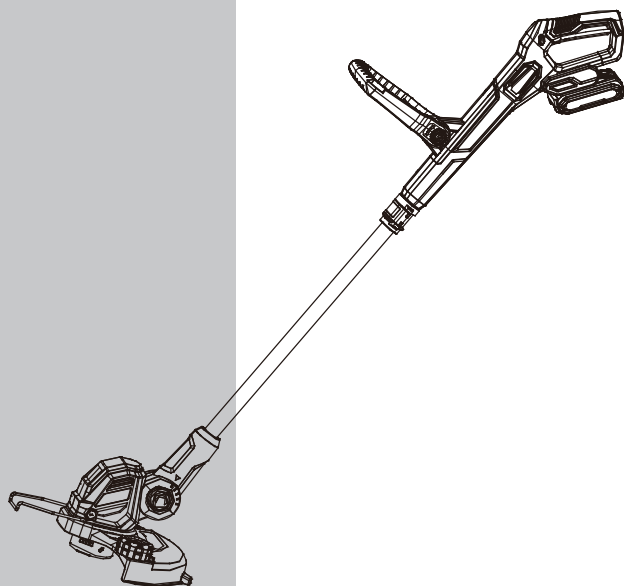
Problem	Cause	Remedy
The mower fails to start.	<ol style="list-style-type: none"> <li>1. The battery cartridges are depleted.</li> <li>2. One or both battery cartridges are not properly inserted.</li> <li>3. One or both battery cartridges, or the mower are too hot.</li> <li>4. The side rails are not extended to their maximum length and the clamps are not locked in position.</li> <li>5. The handle is set at storage position.</li> <li>6. The mower deck is clogged with grass and debris.</li> </ol>	<ol style="list-style-type: none"> <li>1. Charge the battery cartridges.</li> <li>2. Attach the battery cartridges to the mower. Press on each battery cartridges until you hear a click.</li> <li>3. Turn off the mower and remove the battery cartridges from the mower. Allow the battery cartridges and the mower to cool down.</li> <li>4. Fully extend the handle and lock both clamps.</li> <li>5. Adjust the handle to one of the three operating positions.</li> <li>6. Turn off the mower and remove the battery cartridges from the mower. Clean the mower deck and make certain that the blade has freedom of movement.</li> </ol>
The mower cuts unevenly.	<ol style="list-style-type: none"> <li>1. The blade is dull.</li> <li>2. The cutting height is not set properly.</li> <li>3. The blade is assembled incorrectly.</li> </ol>	<ol style="list-style-type: none"> <li>1. The blade is dull.</li> <li>2. Move the deck height to a higher setting.</li> <li>3. Reassemble the blade, following the section "INSTALLING THE BLADE" in this manual.</li> </ol>

<p>The mower stops while mowing.</p>	<ol style="list-style-type: none"> <li>1. The battery cartridges are depleted.</li> <li>2. Mower is in overload condition.</li> <li>3. Mower deck is clogged with grass and debris.</li> <li>4. One or both battery cartridges, or the mower are too hot.</li> <li>5. The side rail is retracted a little by the pushing force applying on the handle.</li> </ol>	<ol style="list-style-type: none"> <li>1. Charge the battery cartridges.</li> <li>2. Raise the cutting height or slow down the mowing.</li> <li>3. Turn off the mower and remove the battery cartridges from the mower. Unclog the mower deck. Raise the cutting height, or cut a narrow swath.</li> <li>4. Turn off the mower and remove the battery cartridges from the mower. Allow the battery cartridges and the mower to cool down.</li> <li>5. Unlock the clamps. Fully extend the side rails and lock the clamps again.</li> </ol>
<p>The mower does not mulch properly.</p>	<ol style="list-style-type: none"> <li>1. Wet grass clippings are sticking to the underside of the deck.</li> <li>2. The mower is set to cut too much grass at once.</li> </ol>	<ol style="list-style-type: none"> <li>1. Clear accumulated grass and wait until the grass dries before mowing.</li> <li>2. Raise the deck to a higher cutting height setting.</li> </ol>
<p>There is excessive vibration.</p>	<ol style="list-style-type: none"> <li>1. The cutting blade is loose.</li> <li>2. The cutting blade is unbalanced.</li> <li>3. The cutting blade is bent.</li> </ol>	<ol style="list-style-type: none"> <li>1. Tighten the blade bolt.</li> <li>2. Balance the blade following the instructions.</li> <li>3. Replace the blade.</li> </ol>
<p>The handle-locking clamps cannot be closed in position.</p>	<ol style="list-style-type: none"> <li>1. The side rails are not fully extended.</li> </ol>	<ol style="list-style-type: none"> <li>1. Fully extend the side rails, then lock the clamps.</li> </ol>
<p>Short running time of the mower with included battery.</p>	<ol style="list-style-type: none"> <li>1. Grass conditions and cutting height setting will greatly affect the battery run time.</li> </ol>	<ol style="list-style-type: none"> <li>1. Raise the blade height and slow your pace to reduce the cutting load.</li> </ol>

INSTRUCTION MANUAL

# Cordless Lawn Trimmer

## D2GT212



Read before use.

# SPECIFICATIONS

Model No	D2GT212
Rated Voltage	20V d.c.
No-load Speed	8000r/min
Cutting Capacity	30cm
Cutting Line Type	Nylon line
Cutting Line Diameter	1.4mm
Cutting Line Length	8m
Charing Time	up to 160 min
Run Time	up to 56 min
Protection	IPX1

## Battery Charger

Model No	DC2124L-U
Rating	Input:100-240V 50-60Hz 70W max ; Output:DC21VDC 2.4A
Protection	IPX4

## Battery

Model No	DBP5S2P14-B
Technical data	20V 4Ah 80Wh
Protection	IPX0

Recommended operating temperature	14 – 104°F (-10 – 40°C)
Recommended storage temperature	32 – 104°F (0 – 40°C)
Recommended charging temperature	41 – 95°F (5 – 35°C)

**Feed Mechanism: Automatic, single-line-feed cutting system**

**⚠WARNING: Only use the Authorized battery cartridges and chargers . Use of any other battery cartridges and chargers may cause injury and/or fire.**

**⚠WARNING: Do not use a corded power supply such as battery adapter or portable power pack with this machine. The cable of such power supply may hinder the operation and result in personal injury.**

Safety, performance, and dependability have been given top priority in the design of your cordless lawn trimmer/edge trimmer.

#### INTENDED USE

The cordless lawn trimmer/edge trimmer is intended to be used only by adults who have read and understood the instructions and warnings in this manual and can be considered responsible for their actions.

The product is only intended for use outdoors in a well-ventilated area. For safety reasons, the product must be adequately controlled by using two-handed operation.

When fitted with the lawn trimmer head (and appropriate guard), the product is intended for cutting long grass, pulpy weed, and similar vegetation at or about ground level. The cutting plane should be approximately parallel to the ground surface when trimming and approximately vertical when edging.

The product should not be used to cut or trim hedges, bushes, or other vegetation where the cutting plane is not parallel to the ground surface.

Do not use the product for any other purpose.

#### GENERAL SAFETY WARNINGS

##### WARNING

**Read all safety warnings and all instructions.** Failure to follow the warnings and instructions may result in electric shock, fire and/or serious injury.

##### WARNING

When using the product, the safety rules must be followed. For your own safety and that of bystanders, please read these instructions before operating the product. Please keep the instruction safe for later use.

##### WARNING

This product is not intended to be used by children or persons with reduced physical, mental, or sensory capabilities. Children should be adequately supervised to ensure they do not play with the product.

##### WARNING

Some regions have regulations that restrict the use of the product. Check with your local authority for advice.

#### TRAINING

- Read the instructions carefully. Be familiar with all controls and the proper use of the product.
- Never allow children or people unfamiliar with these instructions to use the product. Local regulations may restrict the age of the operator.
- Keep bystanders, children, and pets 15 m away from the area of operation. Stop the product if anyone enters the area.
- Never use the product when you are tired, ill, or under

the influence of alcohol, drugs, or medicine.

- Keep in mind that the operator or user is responsible for accidents or hazards occurring to other people or their property.

#### PREPARATION

- Wear full eye and hearing protection while operating the product. If working in an area where there is a risk of falling objects, head protection must be worn.
- Hearing protection may restrict the operator's ability to hear warning sounds. Pay particular attention to potential hazards around and inside the working area.
- Wear long trousers, boots, and gloves. Do not wear loose fitting clothing, short trousers, jewellery of any kind, or use with bare feet.
- Secure long hair so it is above shoulder level to prevent entanglement in moving parts.
- Before use and after any impact, check that there are no damaged parts. A defective switch or any part that is damaged or worn should be properly repaired or replaced by an authorised service centre.
- Make sure the cutting attachment is properly installed and securely fastened.
- Never operate the product unless all guards, deflectors, and handles are properly and securely attached.
- Consider the environment in which you are working. Keep the working area free from wires, sticks, stones, and debris which if struck by the cutter can become thrown objects.

#### BATTERY TOOL USE AND CARE

- Recharge only with the charger specified by the manufacturer. A charger that is suitable for one type of battery cartridges may create a risk of fire when used with another battery cartridges.
- Use power tools only with specifically designated battery cartridges. Use of any other battery cartridges may create a risk of injury and fire.
- When battery cartridge are not in use, keep it away from other metal objects, like paper clips, coins, keys, nails, screws, or other small metal objects that can make a connection from one terminal to another. Shorting the battery terminals together may cause burns or a fire.
- Under abusive conditions, liquid may be ejected from the battery; avoid contact. If contact accidentally occurs, flush with water. If liquid contacts eyes, additionally seek medical help. Liquid ejected from the battery may cause irritation or burns.

#### LAWN TRIMMER /EDGE TRIMMER SAFETY WARNINGS

- Do not use the machine in bad weather conditions, especially when there is a risk of lightning. *This decreases the risk of being struck by lightning.*
- Thoroughly inspect the area for wildlife where the machine is to be used. *Wildlife may be injured by the machine during operation.*
- Thoroughly inspect the area where the machine is to be used and remove all stones, sticks, wires, bones, and other foreign objects. *Thrown objects can cause*

personal injury.

- Before using the machine, always visually inspect to see that the cutter and the cutter assembly are not damaged. *Damaged parts increase the risk of injury.*
- Keep guards in place. Guards must be in working order and be properly mounted. *A guard that is loose, damaged, or is not functioning correctly may result in personal injury.*
- Keep all cooling air inlets clear of debris. *Blocked air inlets and debris may result in overheating or risk of fire.*
- Wear eye protection and ear protection. *Adequate protective equipment will reduce personal injury.*
- While operating the machine, always wear nonslip and protective footwear. Do not operate the machine when barefoot or wearing open sandals. *This reduces the chance of injury to the feet from contact with the moving cutter.*
- Always wear clothing such as trousers that covers the operator's legs while operating the machine. *Contact with the moving cutter or line may cause injury.*
- Keep bystanders away while operating the machine. *Thrown debris can result in serious personal injury.*
- Do not operate the machine above waist height. *This helps prevent unintended cutter contact and enables better control of the machine in unexpected situations.*
- Exercise caution when operating the machine in wet grass. Walk, never run. *This reduces the risk of slipping and falling which may result in personal injury.*
- Do not operate the machine on excessively steep slopes. *This reduces the risk of loss of control, slipping and falling which may result in personal injury.*
- When working on slopes, always be sure of your footing, always work across the face of slopes, never up or down and exercise extreme caution when changing direction. *This reduces the risk of loss of control, slipping and falling which may result in personal injury.*
- Keep all power cords and cables away from cutting area. *Power cords or cables may be hidden in hedges or bushes and can be accidentally cut or damaged by the line or cutter.*
- Keep all parts of the body away from the moving trimmer cutter or line. Do not clear material from the machine until it has been disconnected from the power source. *The moving trimmer cutter or line may result in serious personal injury.*
- Carry the machine with the machine switched off and away from your body. *Proper handling of the machine will reduce the likelihood of accidental contact with a moving trimmer cutter or line.*
- Only use replacement cutting heads and trimmer cutters or lines specified by the manufacturer. Do not replace the trimmer cutters or lines with metal wires or blades. *Incorrect replacement parts may cause loss of control, breakage and injury.*
- When clearing jammed material or servicing the machine, make sure the switch is off and the battery cartridges is removed. *Unexpected starting of the machine while clearing jammed material or servicing may result in serious personal injury.*

#### WARNING

Ensure that the line cut-off blade in guard is properly positioned and secured before each use.

#### TRANSPORTATION AND STORAGE

- Stop the product, remove the Battery Cartridges, and allow it to cool down before storing or transporting.
- Clean all foreign material from the product.
- Do not store or transport the product with batteries fitted, remove and secure separately. Store the product in a cool, dry, and well-ventilated place that is inaccessible to children. Keep away from corrosive agents, such as garden chemicals and de-icing salts. Do not store outdoors.
- For transportation in vehicles, secure the product against movement or falling to prevent injury to persons or damage to the product.

#### TRANSPORTING LITHIUM BATTERIES

Transport the battery in accordance with local and national provisions and regulations. Follow all special requirements on packaging and labelling when transporting batteries by a third party.

Ensure that no batteries can come in contact with other batteries or conductive materials while in transport by protecting exposed connectors with insulating, non-conductive caps or tape. Do not transport batteries that are cracked or leaking. Check with the forwarding company for further advice.

#### MAINTENANCE

#### WARNING

Use only original manufacturer's replacement parts, accessories, and attachments. Failure to do so can cause possible injury, contribute to poor performance, and may void your warranty.

#### WARNING

Servicing requires extreme care and knowledge and should be performed only by a qualified service technician. For service, we suggest you bring the product to your nearest authorized service center for repair. When servicing, use only identical replacement parts.

- Switch off and remove the battery cartridges before conducting any maintenance or cleaning work.
- You may make adjustments and repairs described in this manual. For other repairs, contact the authorised service agent.
- For replacement line, use only nylon filament line of the diameter described in the specification table of this manual.
- After extending new cutter line, always return the product to its normal operating position before starting.

- After each use, clean the product with a soft dry cloth. Any part that is damaged should be properly repaired or replaced by an authorised service centre.
- Check all nuts, bolts, and screws at frequent intervals for proper tightness to ensure the product is in safe working condition. Any part that is damaged should be properly repaired or replaced by an authorised service centre.
- Bring the product to an authorised service centre to replace damaged or unreadable labels.

### RESIDUAL RISK

Even when the product is used as prescribed, it is still impossible to completely eliminate certain residual risk factors. The following hazards may arise in use and the operator should pay special attention to avoid the following:

- Injury caused by vibration
  - Hold the product by designated handles and restrict working time and exposure.
- Injury caused by exposure to noise
  - Wear hearing protection and limit exposure.
- Injury caused by flying debris.
  - Wear eye protection at all times.

### RISK REDUCTION

It has been reported that vibrations from handheld tools may contribute to a condition called Raynaud's Syndrome. Symptoms may include tingling, numbness and blanching of the fingers, usually apparent upon exposure to cold. Hereditary factors, exposure to cold and dampness, diet, smoking and work practices are all thought to contribute to the development of these symptoms. There are measures that can be taken by the operator to possibly reduce the effects of vibration:

- Keep your body warm in cold weather. When operating the product, wear gloves to keep the hands and wrists warm. It is reported that cold weather is a major factor contributing to Raynaud's Syndrome.
- After each period of operation, exercise to increase blood circulation.
- Take frequent work breaks. Limit the amount of exposure per day.

If you experience any of the symptoms of this condition, immediately discontinue use and see your physician.

### WARNING

Injuries may be caused, or aggravated, by prolonged use of a tool. When using any tool for prolonged periods, ensure you take regular breaks.



Read and understand all instructions before operating the product, follow all warnings and safety instructions.



Wear eye protection



Wear ear protection



Wear non-slip safety footwear when using the product.



Do not use metal blade(s) on the product.



Do not expose to rain or damp condition.



Beware of thrown or flying objects. Keep all bystanders, especially children and pets, at least 15 m away from the operating area.



Waste electrical products should not be disposed of with household waste. Please recycle where facilities exist. Check with your local authority or retailer for recycling advice.

Conforms to all regulatory standards in the country in the EU where the product is purchased.

The following signal words and meanings are intended to explain the levels of risk associated with the product:

 DANGER

Indicates an imminently hazardous situation, which, if not avoided, will result in death or serious injury.

 WARNING

Indicates a potentially hazardous situation, which, if not avoided, could result in death or serious injury.

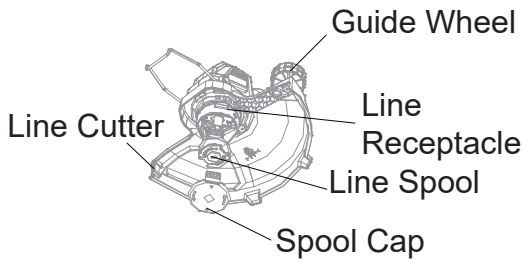
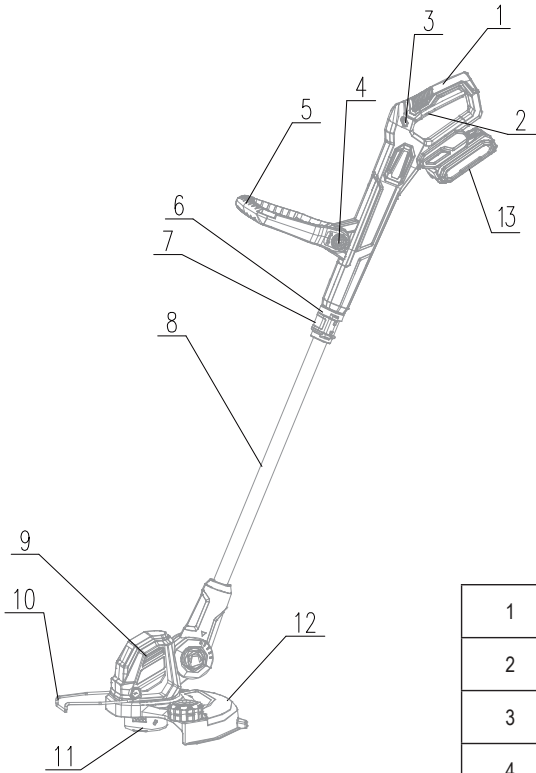
 CAUTION

Indicates a potentially hazardous situation, which, if not avoided, may result in minor or moderate injury.

CAUTION

(Without Safety Alert Symbol)  
Indicates a situation that may result in property damage.

# KNOW YOUR UNIT



1	Handle
2	Switch Trigger
3	Safety Switch
4	Auxiliary Handle Button
5	Auxiliary Handle
6	Pipe Sleeve
7	Telescoping Lock Clip
8	Aluminium Pipe
9	Motor Housing
10	Flower Protection
11	Trimmer Head
12	Guard
13	Battery Cartridges

## ASSEMBLY

1. Unpack all parts and lay them on a flat, stable surface:
2. Remove all packing materials and shipping devices, if applicable.
3. If you find that parts are missing or show damage do not use the product but contact your dealer. Using an incomplete or damaged product represents a hazard to people and property.
4. Ensure that you have all the accessories and tools needed for assembly and operation. This also includes suitable personal protective equipment.



### WARNING:



Wear protective gloves for this assembly work and always lay the product on a flat and stable surface while assembling.

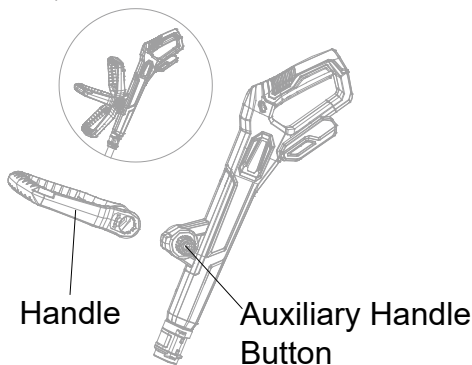


Follow the assembly instructions step-by-step and use the pictures provided as a visual guide to easily assemble the product!

Do not insert the battery cartridges before the power tool is completely assembled or adjusted!

## MOUNTING THE AUXILIARY HANDLE

Keep the auxiliary handle button being pressed, fix the auxiliary handle to the trimmer.  
Release the button until achieve you satisfied position.  
Make sure the auxiliary handle is well engaged before next step.

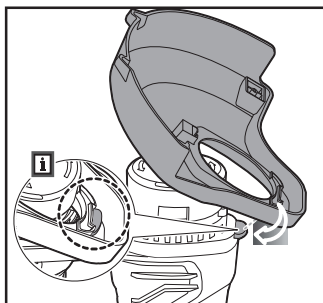


## MOUNTING THE GUARD

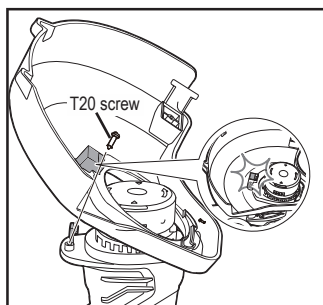


### WARNING:

To reduce the risk of injury to persons, do not operate without guards in place.



Attach the front part of the safety guard to the trimmer head.



Attach the back part of the safety guard to the trimmer head until the latch clicks into place.

Secure the guard to the line trimmer with the supplied T20 screw.

## INSTALLING THE BATTERY PACK

Insert the charged battery to the battery docking port.

Ensure the battery is well seated.

To remove the battery from the machine, press the battery unlock button and pull the battery out.



### NOTE:

Using unsuitable batteries can lead to malfunctions or damage the machine.

## OPERATION



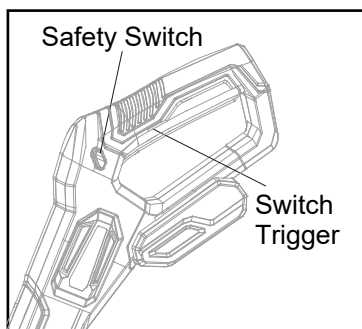
### WARNING:

Inspect the tool for complete installation. Any missing, damaged, or misplaced may cause serious injury.

Wear eye protection, long trousers and stout shoes at all times while operating the power tool.

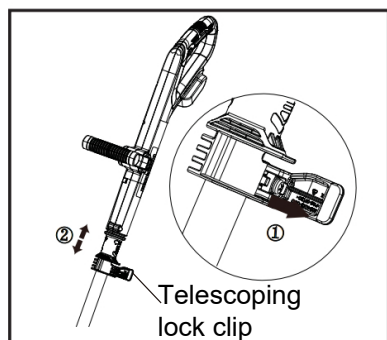
## SWITCHING ON/OFF

Keep the safety switch being pressed at first. Then press the switch trigger to switch the product on. Release the safety switch once the product is running. Release the switch trigger to switch the product off.



## ADJUSTING THE LENGTH OF TOOL

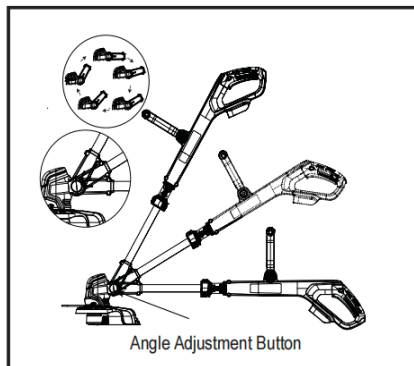
Unlock the telescoping lock clip and stretch the aluminium pipe to your desired length. Lock again when finishing your adjustment.



## ADJUSTING ANGLE OF TRIMMER HEAD

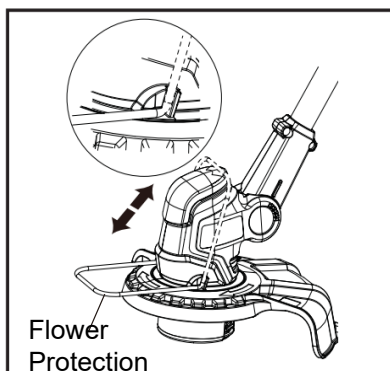
Keep pressing the angle adjustment button, hold the body of trimmer and lead it to ideal position. Judge the well engagement from a sound of "click".

Five optional angles (0~65°) set for meeting your using requirement.



## USING THE FLOWER PROTECTION

Switch the flower protection to the working state by pulling down and clamping it into slot. When the flower protection is not in use, reset it upside.



## EDGING TRIMMING

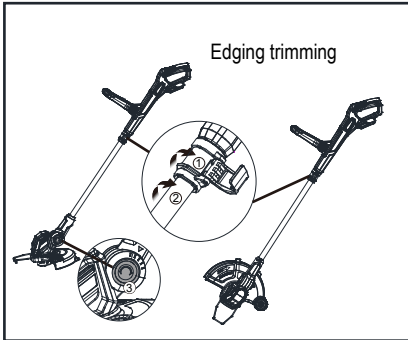


### WARNING:

Risk of Eye Injury. Use Safety Glasses or Similar Eye Protection.

When being used as an Edger, stones, pieces of metal and other objects can be thrown out at high speed by the line. The trimmer and guard are designed to reduce the danger. However, **MAKE SURE** that other persons and pets are at least 100 feet (30m) away.

1. Remove the battery from the trimmer.
2. Press the angle adjustment knob ③ and simultaneously turn the head of the trimmer clockwise until it stops.
3. Release the telescoping lock clip. ①
4. Hold the metal shaft and rotate the lower housing 90°. ②
5. Lock the telescoping lock clip.
6. Insert the battery, use guide wheel to operate edging.



## GENERAL TRIMMING INSTRUCTIONS

Stand in the operating position. Stand up straight. Do not bend over. Keep feet apart and firmly planted.

Move the trimmer left and right, keeping it well away from the body. Cut all grass from top to down.

Inspect the working area and remove all debris that may be entangled in the trimmer head. Also remove any objects that product may throw during cutting.

If the trimmer head is wrapped around with grass, stop the trimmer and clean up.

Avoid trees, flowers, stones, walls and other objects which can cause the line to break.

Check and feed the line regularly to maintain full cutting width and performance.

Some line breakage will occur from:

- Entanglement with foreign matter
- Normal line fatigue
- Attempting to cut thick vegetation
- Forcing the line into objects such as walls or fence posts

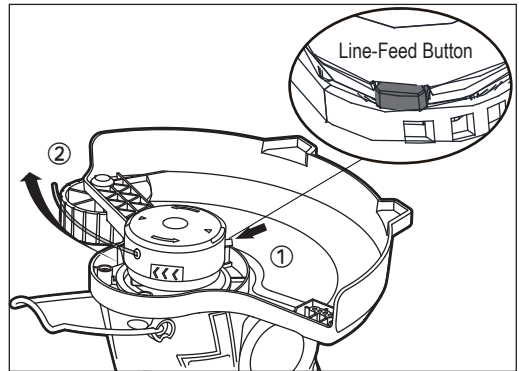
## LINE FEEDING

### 1) Automatic Line Feeding

The trimmer is equipped with a automatic feeding system. The system feeds line with every press of the switch trigger.

### 2) Manual Line Feeding

Press the line-feed button and adjust the line to desired length.



1. Press the buton ①.
2. Pull the line out ②.

## MAINTENANCE



### WARNING:

Remove the battery cartridges before maintenance!

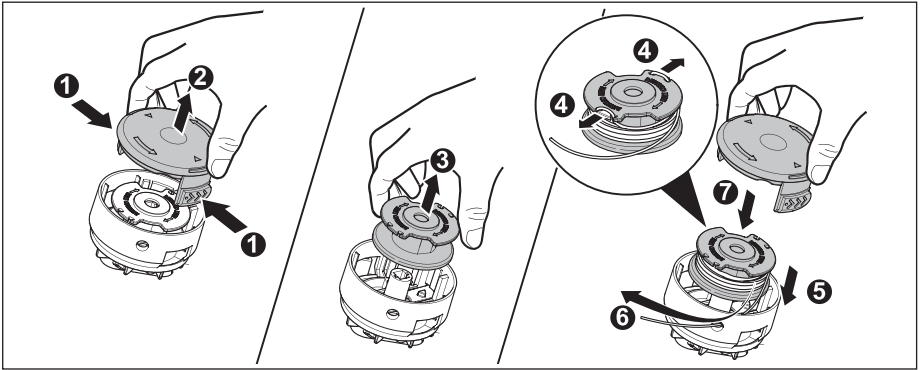
Wear protective gloves and clothing!

Always wear protective equipments such as gloves and eye protections to reduce the risk of injury when operating this unit.

Only perform repairs and maintenance work according to these instructions! All further works must be performed by a qualified specialist!

When servicing use only identical replacement parts. Use of any other accessory or attachment may increase the risk of injury.

## REPLACING THE LINE SPOOL



### **⚠ WARNING:**

Risk of injuries due to the cutting tool. Only adjust the device with the motor switched off, the battery removed, and the cutting tool at a standstill. Do not reach into the area of the rotating line. Always remove the battery to working on the device.

**NOTICE: USE ONLY 1.4mm DIAMETER ROUND NYLON MONOFILAMENT LINE.** Do not use serrated or heavier gauge line, as they will over-load the motor and cause overheating.

**NOTICE:** Before you begin trimming, only use the appropriate type of cutting line. Only use authorized replacement spool.

1. Firmly press both ① of the engaging lugs of the spool cap together at the same time, and pull the cap off ②.
2. Remove the line spool ③. If necessary, remove any dirt.
3. Extend the line out of the new spool fitting ④.
4. Insert the spool in the line receptacle ⑤.
5. Thread the end of the line of the coil through the eye of the thread receptacle ⑥.
6. Firmly press both of the engaging lugs of the spool cap together at the same time, and push the cap onto the spool until it engages ⑦.

## CLEANING

Switch the product off, pull out the battery cartridges from the product.

Use a small brush to clean the outside of the unit. Do not use strong detergents. Household cleaners that contain aromatic oils such as pine and lemon, and solvents such as kerosene, can damage plastic. Wipe off any moisture with a soft cloth.



### NOTE:

If the trimmer head is blocked by foreign objects during operation, stop the product, wait till the product stops entirely, then remove the foreign objects and clean the trimmer head. Clean moving parts may result in hazardous injury.

## TRANSPORT

- Clean the product as described above.
- Always carry the product by its handle.
- Protect the product from any heavy impact or strong vibrations which may occur during transportation in vehicles.
- Secure the product to prevent it from slipping or falling over, damage or injury.

## STORAGE

- Clean the product as described above.
- Store the product and its accessories in a dark, dry, frost-free, well-ventilated place.
- Always store the product in a place that is inaccessible to children. The ideal storage temperature is between 0°C and 40°C.
- We recommend using the original package for storage or covering the product with a suitable cloth or enclosure to protect it against dust.



### NOTE:

To prolong battery life, never store battery cartridges in a completely discharged condition. Make sure the battery cartridges is charged once per year or when the LED indicator shows only one light.

## DISPOSAL

Waste product should not be disposed of with household waste. Please recycle where facilities exist.

Check with your local authority or retailer for recycling advice.

During the operation, the grasses or weeds may be cut by the unit, users should clean these objects to protect environment.



Electrical products should not be discarded with household products. Used electrical products must be collected separately and disposed of at collection points provided for this purpose. Talk with your local authorities or dealer for advice on recycling.

# TROUBLESHOOTING

Problem	Cause	Remedy
The device switches off.	<ol style="list-style-type: none"> <li>1. The battery cartridges are too hot.</li> <li>2. The battery cartridges are discharged.</li> <li>3. The temperature of the device (electronics) is too high.</li> </ol>	<ol style="list-style-type: none"> <li>1. Allow the battery cartridges to cool.</li> <li>2. Charge the battery cartridges.</li> <li>3. Allow the device to cool and if necessary, clean the ventilation slots.</li> </ol>
The device will not turn on.	<ol style="list-style-type: none"> <li>1. The battery cartridges are discharged.</li> <li>2. Battery cartridges temperature too high or too low.</li> <li>3. The battery cartridges are defective.</li> </ol>	<ol style="list-style-type: none"> <li>1. Charge the battery cartridges</li> <li>2. Allow the battery cartridges to cool down or heat up.</li> <li>3. Replace the battery cartridges.</li> </ol>
Automatic line adjustment does not Work.	<ol style="list-style-type: none"> <li>1. The line spool is empty.</li> <li>2. The line spool is dirty.</li> <li>3. The line has torn off and is pulled into the line spool. The line has become caught in the spool.</li> <li>4. The line is melted onto the spool.</li> </ol>	<ol style="list-style-type: none"> <li>1. Replace the line spool.</li> <li>2. Use a brush to remove dirt from the parts.</li> <li>3. Take off the line spool; if necessary, rewind the line by gently pulling, and then insert the spool.</li> <li>4. Remove the melted line part; if necessary, rewind the line by gently pulling and insert the spool.</li> </ol>
The line breaks off too frequently.	The line comes into contact too frequently with fixed objects, e.g.fences, trees, etc.	Use the plant protection guard.
Strong vibrations.	Device fasteners have come loose.	Consult technical support.

INSTRUCTION MANUAL

# Cordless Turbo Blower

## D2B297



Read before use.

# SPECIFICATIONS

Model No	D2B297
Rated Voltage	20V d.c.
No-load Speed	18000±10% r/min
Max. air flow	280 CFM / 475 m³/h
Max. air speed	100mph
Charing Time	up to 160 min
Run Time	up to 22 min
Protection	IPX1

## Battery Charger

Model No	DC2124L-U
Rating	Input:100-240V 50-60Hz 70W max; Output:DC21VDC 2.4A
Protection	IPX4

## Battery

Model No	DBP5S2P14-B
Technical data	20V 4Ah 80Wh
Protection	IPX0

Recommended operating temperature	14 – 104°F (-10 – 40°C)
Recommended storage temperature	32 – 104°F (0 – 40°C)
Recommended charging temperature	41 – 95°F (5 – 35°C)

**⚠ WARNING:** Only use the Authorized battery cartridges and chargers . Use of any other battery cartridges and chargers may cause injury and/or fire.

**⚠ WARNING:** Do not use a corded power supply such as battery adapter or portable power pack with this machine. The cable of such power supply may hinder the operation and result in personal injury.

## Intended use

Our blower has been designed for leaf clearing. These appliances are intended for consumer use only.

## Safety instructions

**Warning!** When using mains-powered/cordless appliances, basic safety precautions, including the following, should always be followed to reduce the risk of fire, electric shock, personal injury and material damage.

- ◆ Read all of this manual carefully before operating the appliance.
- ◆ The intended use is described in this manual. The use of any accessory or attachment or the performance of any operation with this appliance other than those recommended in this instruction manual may present a risk of personal injury.
- ◆ Retain this manual for future reference.

## Using your appliance

Always take care when using the appliance.

- ◆ Always use safety glasses or goggles.
- ◆ Never allow children, persons with reduced physical, sensory or mental capabilities or lack of experience and knowledge or people unfamiliar with these instructions to use the machine, local regulations may restrict the age of the operator. Never operate the machine while people, especially children, or pets are nearby.

- ◆ Do not allow children or animals to come near the work area or to touch the appliance or power supply cord.
- ◆ Close supervision is necessary when the appliance is used near children.
- ◆ This appliance is not intended for use by young or infirm persons without supervision.
- ◆ This appliance is not to be used as a toy.
- ◆ Only use the appliance in daylight or good artificial light.
- ◆ Use in a dry location only. Do not allow the appliance to become wet.
- ◆ Avoid using the appliance in bad weather conditions, especially when there is a risk of lightning.
- ◆ Do not immerse the appliance in water.
- ◆ Do not open the body casing. There are not user-serviceable parts inside.
- ◆ Do not operate the appliance in explosive atmospheres, such as in the presence of flammable liquids, gases or dust.
- ◆ The appliance is only to be used with the power supply unit provided with the appliance.

## Residual risks

Additional residual risks may arise when using the tool which may not be included in the enclosed safety warnings.

These risks can arise from misuse, prolonged use etc.

Even with the application of the relevant safety regulations and the

implementation of safety devices, certain

36 residual risks can not be avoided.

These include:

- ◆ Injuries caused by touching any rotating/moving parts.
- ◆ Injuries caused when changing any parts, blades or accessories.
- ◆ Injuries caused by prolonged use of a tool. When using any tool for prolonged periods ensure you take regular breaks.
- ◆ Impairment of hearing.
- ◆ Health hazards caused by breathing dust developed when using your tool (example:- working with wood, especially oak, beech and MDF.)

## After use

- ◆ When not in use, the appliance should be stored in a dry, well ventilated place out of reach of children.
- ◆ Children should not have access to stored appliances.
- ◆ When the appliance is stored or transported in a vehicle it should be placed in the boot or restrained to prevent movement following sudden changes in speed or direction.

## Inspection and repairs

- ◆ Before use, check the appliance for damaged or defective parts. Check for breakage of parts and any other conditions that may affect its operation.
- ◆ Do not use the appliance if any part is damaged or defective.
- ◆ Have any damaged or defective parts repaired or replaced by an authorised repair agent.

- ◆ Never attempt to remove or replace any parts other than those specified in this manual.

## Additional safety instructions for blowers

The intended use is described in this manual. The use of any accessory or attachment or performance of any operation with this appliance other than those recommended in this instruction manual can present a risk of personal injury and/or damage to property.

- ◆ To protect your feet and legs while operating the appliance, always wear heavy duty footwear and long trousers.
- ◆ Always switch off your product, allow the fan to stop and remove the battery when:
  - ◆ You leave your product unattended.
    - ◆ Clearing a blockage.
    - ◆ Checking, adjusting, cleaning or working on your product.
    - ◆ If the appliance starts to vibrate abnormally.
  - ◆ Do not place the inlet or outlet of the vacuum near eyes or ears when operating. Never blow debris in the direction of bystanders.
  - ◆ Do not use in the rain or leave outdoors while it is raining.
  - ◆ Do not cross gravel paths or roads whilst your product is switched. Walk, never run.
  - ◆ Do not place your unit down on gravel while it is switched on.
  - ◆ Always be sure of your footing, particularly on slopes.

Do not overreach and keep your balance at all times.

- ◆ Do not place any objects into the openings. Never use if the openings are blocked - keep free of hair, lint, dust and anything that may reduce the airflow.

## Vibration

The declared vibration emission values stated in the technical data and the declaration of conformity have been measured in accordance with a standard test method provided by EN50636 and may be used for comparing one tool with another. The declared vibration emission value may also be used in a preliminary assessment of exposure.

**Warning!** The vibration emission value during actual use of the power tool can differ from the declared value depending on the ways in which the tool is used. The vibration level may increase above the level stated.

When assessing vibration exposure to determine safety measures required by 2002/44/EC to protect persons regularly using power tools in employment, an estimation of vibration exposure should consider, the actual conditions of use and the way the tool is used, including taking account of all parts of the operating cycle such as the times when the tool is switched off and when it is running idle in addition to the trigger time.

**Warning!** Always use your product in the manner outlined in this manual.

Your product is designed to be used in an upright mode and if it is used in any other way it may result in injury. Never run your product whilst lying on it's side or upside down.

- ◆ The operator or user is responsible for accidents or hazards occurring to other people or their property.
- ◆ Do not use solvents or cleaning fluids to clean your product. Use a blunt scraper to remove grass and dirt.
- ◆ Keep all nuts bolts and screws tight to make sure that the appliance is in a safe working condition.

## Safety of others

- ◆ This appliance is not intended for use by persons (including children) with reduced physical, sensory or mental capabilities, or lack of experience and knowledge, unless they have been given supervision or instruction concerning use of the appliance by a person responsible for their safety.
- ◆ Children should be supervised to ensure that they do not play with the appliance.

## **Garden blower safety warnings**

- ♦ **Do not use the machine in bad weather conditions, especially when there is a risk of lightning.** *This decreases the risk of being struck by lightning.*
- ♦ **Wear eye protection and ear protection.** *Adequate protective equipment will reduce the risk of personal injury.*
- ♦ **While operating the machine, always wear non-slip and protective footwear. Do not operate the machine when barefoot or wearing open sandals.** *This reduces the risk of injury to the feet.*
- ♦ **Do not wear loose fitting clothing or articles such as scarves, strings, chains, ties, etc., that could get drawn into the air inlets. Tie back or cover long hair to make sure it does not get drawn into the air inlets.** *If any of these items are drawn into the air inlets, it can increase the risk of personal injury.*
- ♦ **Keep bystanders away while operating the machine.** *Thrown debris can increase the risk of personal injury.*
- ♦ **Never point the blower nozzle in the direction of people or pets or in the direction of windows. Use extra caution when blowing debris near solid objects, such as trees, automobiles and walls that can cause debris to ricochet.** *Thrown objects can damage property and increase the risk of personal injury.*
- ♦ **Do not use the machine to pick up or blow anything that is burning or smoking, such as cigarettes, matches or hot ashes.** *These ignition sources may increase the risk of fire.*
- ♦ **Do not touch the fan while still in motion. Turn off the machine and wait until the fan stops before removing any part that may give access to the fan.** *This reduces the risk of injury from moving parts.*
- ♦ **When clearing jammed material or servicing the machine, make sure the power switch is off.** *Unexpected starting of the machine while clearing jammed material or servicing may result in serious personal injury.*

## Additional safety instructions for batteries and chargers

### Batteries

- ◆ Never attempt to open for any reason.
- ◆ Do not expose the battery to water.
- ◆ Do not store in locations where the temperature may exceed 40 °C.
- ◆ Charge only at ambient temperatures between 5 °C and 40 °C.
- ◆ Charge only using the charger provided with the tool.
- ◆ When disposing of batteries, follow the instructions given in the section "Protecting the environment".

### Chargers

- ◆ Use your authorized charger only to charge the battery in the tool with which it was supplied. Other batteries could burst, causing personal injury and damage.
- ◆ Never attempt to charge non-rechargeable batteries.
- ◆ Have defective cords replaced immediately.
- ◆ Do not expose the charger to water.
- ◆ Do not open the charger.
- ◆ Do not probe the charger.



The charger is intended for indoor use only.



Read the instruction manual before use.

## Electrical safety



- ◆ Your charger is double insulated; therefore no earth wire is required. Always check that the mains voltage corresponds to the voltage on the rating plate. Never attempt to replace the charger unit with a regular mains plug.
- ◆ If the supply cord is damaged, it must be replaced by the manufacturer or an authorised Service Centre in order to avoid a hazard.

### Labels on appliance

The following warning symbols are found on the appliance along with the date code:



Read the manual prior to operation.



Wear safety glasses or goggles when operating this appliance.



Wear suitable ear protectors when operating this appliance.



Warning; Disconnect battery before maintenance.



Beware of flying objects. Keep bystanders away from the cutting area.



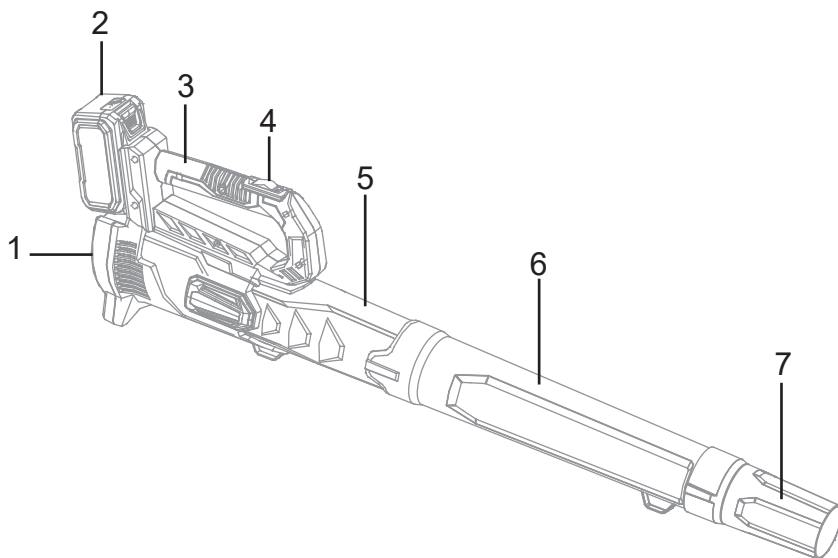
Do not expose the appliance to rain or high humidity.

### Features

This appliance includes some or all of the following features.

1. On / Off Switch
2. Blower Upper and LowerTube
3. Battery and Charger

## KNOW YOUR UNIT



1. Air inlet port

2. Battery cartridges

3. Handle

4. ON/OFF switch

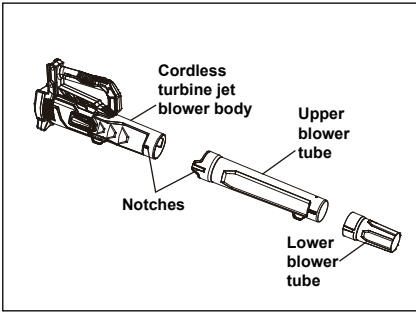
5. Cordless turbine jet blower body

6. Upper blower tube

7. Lower blower tube

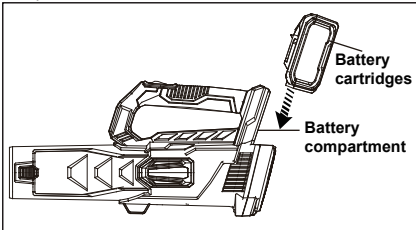
## To fit the blower tube

- ◆ Align the notches on the cordless turbine jet blower body with the notches on the upper blower tube and slide together until they click into place. Repeat with the upper tube and the lower tube, making sure they click into place.



## To install battery cartridges

- ◆ Insert battery cartridges into tool until an audible click is heard as shown below. Make sure battery cartridges is fully seated and fully latched into position.

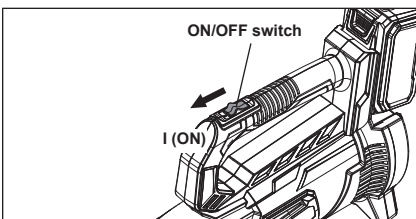


## Switching on and off

**Warning!** Use both hands to grip the product firmly when switching on.

**Warning!** Do not point unit discharge at self or bystanders.

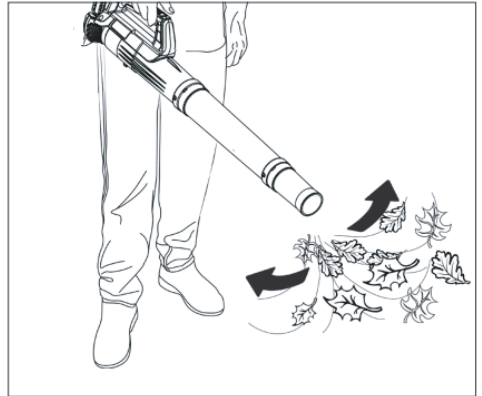
- ◆ To switch the on, slide the on/off switch forward.
- ◆ To switch the cordless turbine jet blower off, slide the on/off switch back.



## Operation

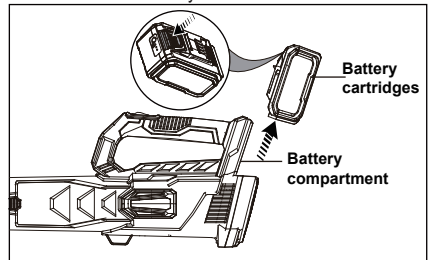
**Warning!** Always wear safety glasses. Wear a filter mask if the operation is dusty. Use of gloves, long pants and substantial footwear is recommended. Keep long hair and loose clothing away from openings and moving parts. THIS TURBINE JET BLOWER IS FOR HOUSEHOLD USE ONLY.

- ◆ Hold the cordless turbine jet blower with one hand as shown below and sweep from side to side with the nozzle several inches above the ground. Slowly advance keeping the accumulated pile of debris in front of you.



## To remove battery cartridges

- ◆ Depress the battery release button in the battery cartridges and pull battery cartridges out of tool assembly.



## Troubleshooting

Problem	Possible cause	Possible solution
Unit will not start.	Battery not installed properly.	Check battery installation.
	Battery not charged.	Check battery charging requirements.
Battery will not charge.	Battery not inserted into charger.	Insert battery into charger until green LED appears.
	Charger not plugged in.	Plug charger into a working outlet. Refer to "Important Charging Notes" for more details.
		Check current at receptacle by plugging in a lamp or other appliance.
		Check to see if receptacle is connected to a light switch which turns power off when you turn out the lights.
Surrounding air temperature too hot or too cold.	Move charger and tool to a surrounding air temperature of above 40 degree F (4.5°C) or below 105 degree F (+40°C).	

## Protecting the environment



Separate collection. Products and batteries marked with this symbol must not be disposed of with normal household waste.

Products and batteries contain materials that can be recovered or recycled reducing the demand for raw materials. Please recycle electrical products and batteries according to local provisions.