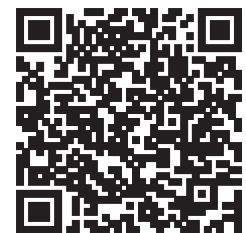
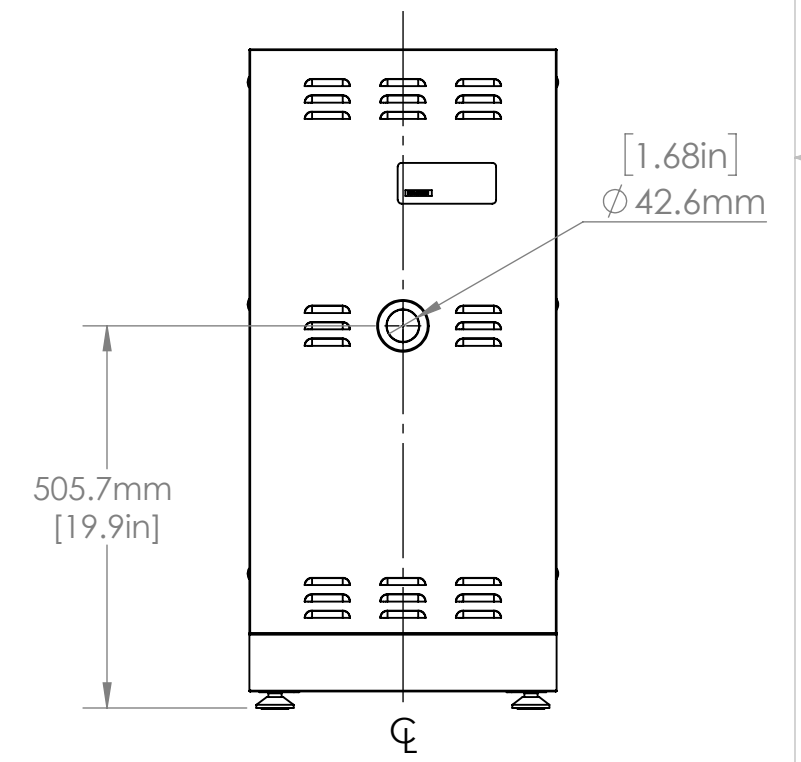
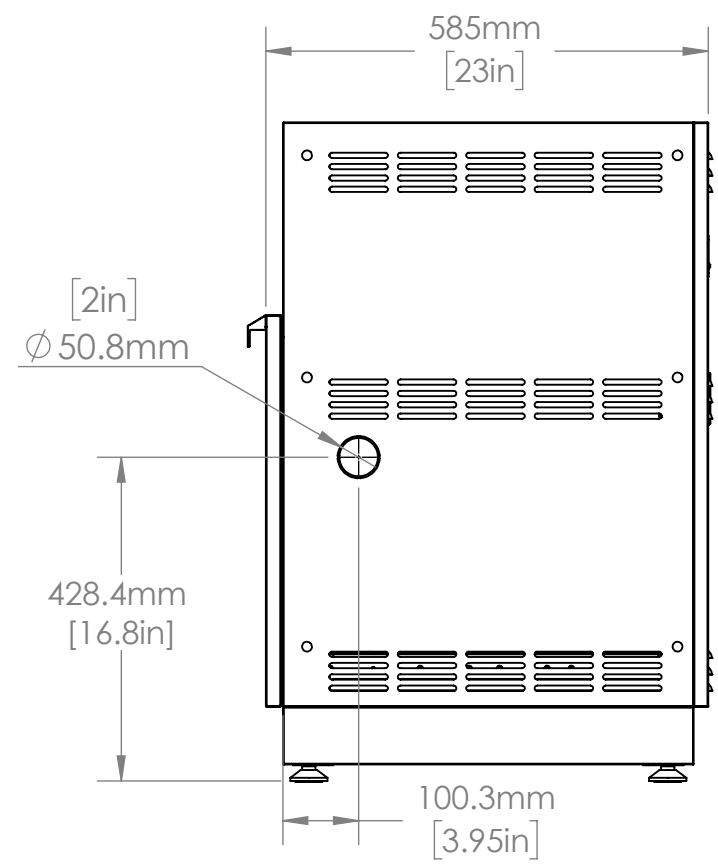
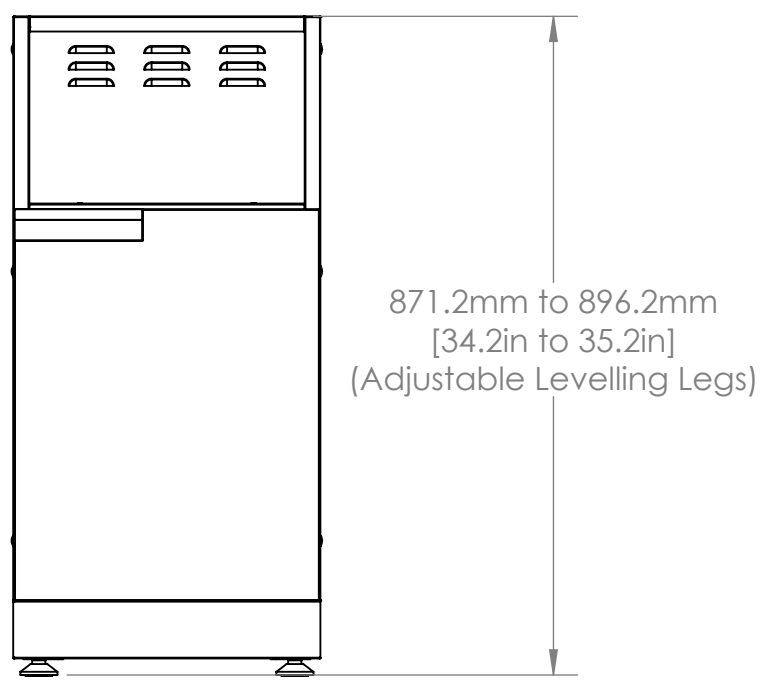
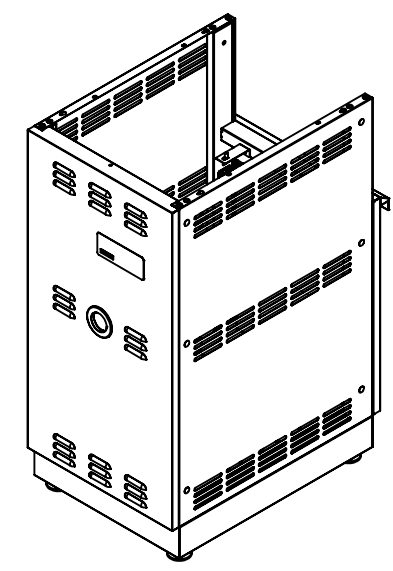
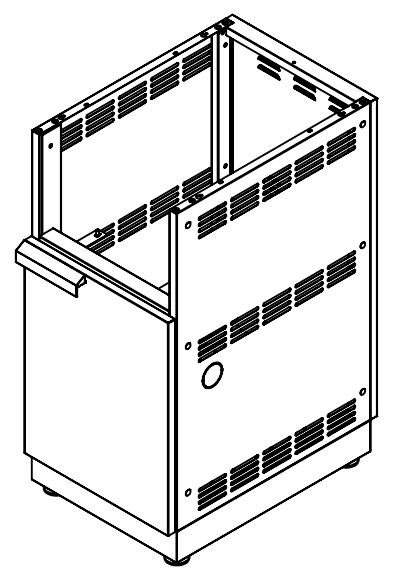
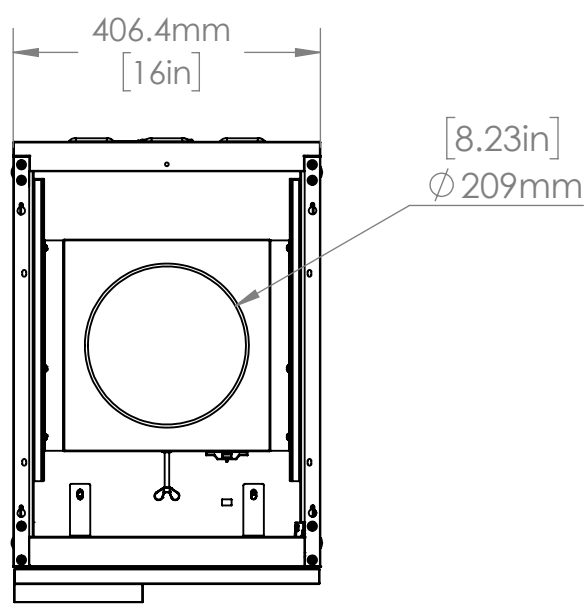


D  
C  
B  
A

D  
C  
B  
A



<https://newageproducts.com/support-hub/outdoor-kitchen-stainless-steel>  
Please give us a call or visit online if you have any questions.  
Call 1.877.306.8930; e-mail at [info@newageproducts.com](mailto:info@newageproducts.com)

THE INFORMATION CONTAINED IN THIS DRAWING IS THE SOLE PROPERTY OF NEWAGE PRODUCTS INC. ANY REPRODUCTION IN PART OR AS A WHOLE WITHOUT WRITTEN PERMISSION FROM NEWAGE IS PROHIBITED.



DESCRIPTION			
Classic Series Modular 16" DSB Cabinet			
SIZE	Dwg No.	REV	
B	OKC-C03A-01	1	
SCALE 1:33.3		SHEET 1 OF 1	