

ASSEMBLY INSTRUCTIONS

Bed

MOD-7136/7137 / V2.03.18.25

modway



Questions? Contact us!

609.256.9000
cs@modway.com

Welcome.

Let's get started.

Before you begin, here are some things to keep in mind:

Assembly will take most people **about 30 minutes**. Consider having a friend help you!

Only use hand tools to assemble this item. Do not use power tools. Do not tighten bolts or screws completely until all hardware is lined up and inserted into the holes.

Read through all of the instructions before starting. Make sure you have all parts and components before discarding any packing materials.

Do not over-tighten screws and bolts to avoid stripping the hardware or cracking the item.

Assemble your item on a flat, carpeted area, with plenty of space to work. This will prevent damage and scratches to your floors or the item while you're assembling the product.

Keep all components and packaging out of reach of children or animals to avoid risk of choking or suffocation.




Care instructions are listed in the last step of this manual.

WAIT!

Missing parts or hardware? Need assistance?
Contact us before returning your item.
We're here to help!



HARDWARE INCLUDED IN THE BOX:

A		Allen Key M5	x1
B		Wood Screw M4 x 25mm	x8
C		Wood Screw M4 x 35mm	x4

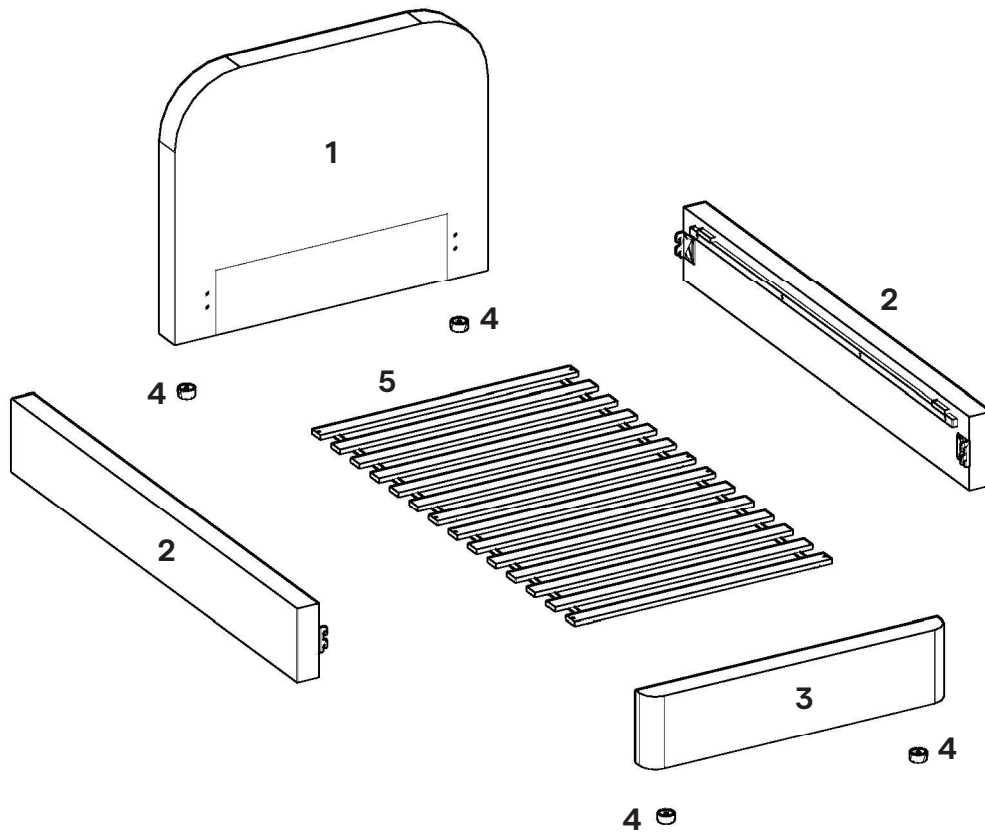
WHAT YOU NEED:



Phillips Head Screwdriver

FURNITURE COMPONENTS INCLUDED IN THE BOX:

All parts are numbered with a sticker according to this list.



COMPONENTS CARTON PLACEMENT

Carton 1 of 2

Carton 2 of 2

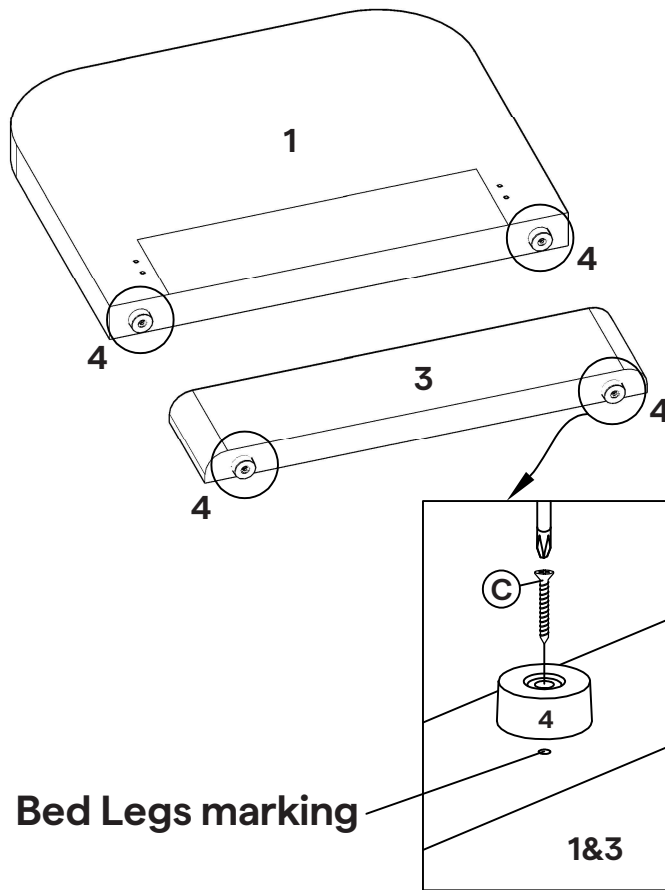
Label	Description	Qty	Label	Description	Qty	Label	Description	Qty
1	Headboard	x1	2	Side Rail	x2	4	Bed Leg	x4
			3	Footboard	x1	5	Slats	x14
							Hardware Pack	x1

HARDWARE

- C** Wood Screw M4 x 35mm x4

COMPONENTS

- 1** Headboard x1
- 3** Footboard x1
- 4** Bed Leg x4

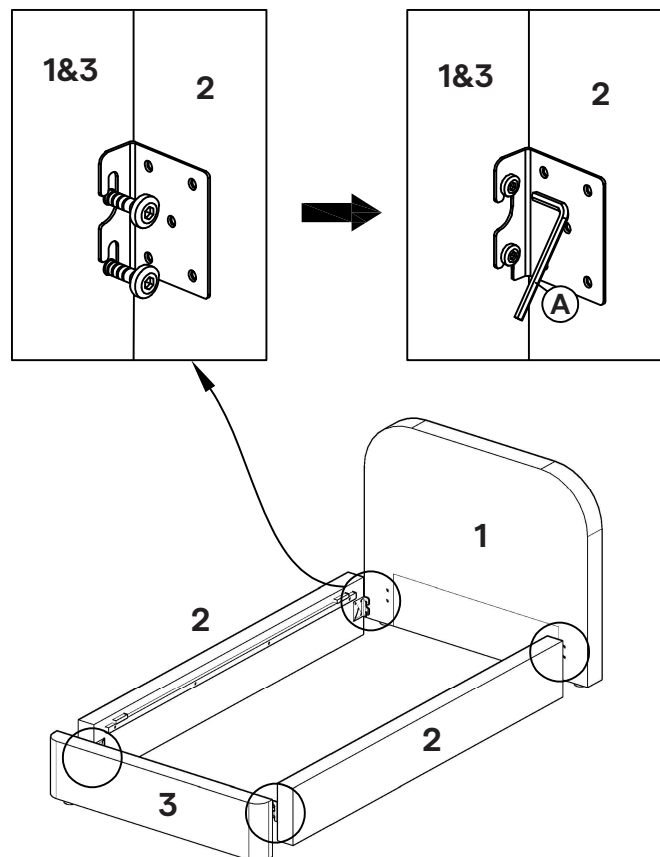


COMPONENTS

- 1** Headboard x1
- 2** Side Rail x2
- 3** Footboard x1

TOOLS

- A** Allen Key M5 x1

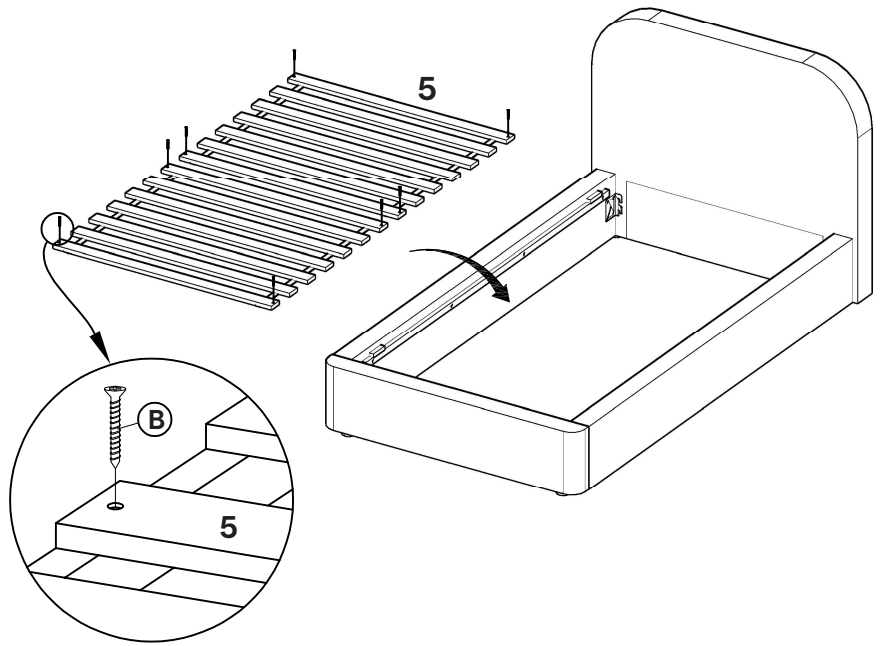


HARDWARE

B Wood Screw M4 x 25mm x8

COMPONENTS

5 Slats x14

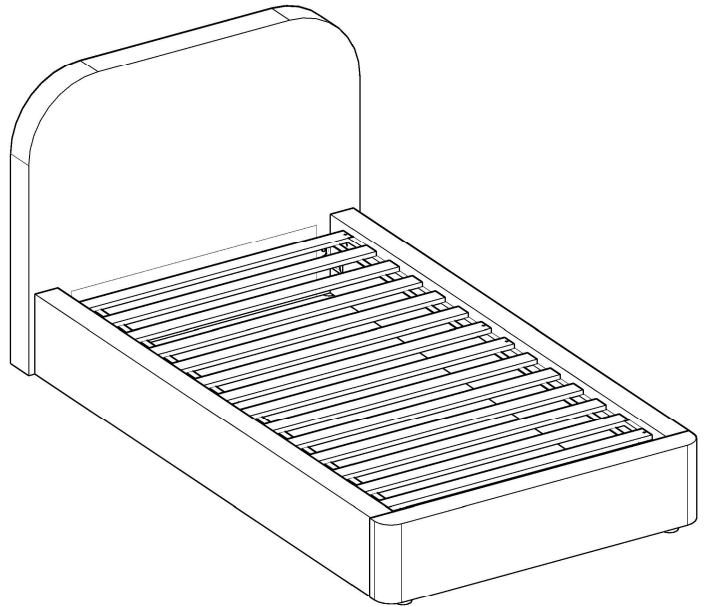


Great job!

Your new bed is complete.

CARING FOR YOUR ITEM

- Depending on use, it may be necessary to tighten the hardware from time to time, so please save the tools that have been provided.
- Not contract grade.
- Clean using a non-abrasive cloth and a mild cleaner.



CONNECT WITH US!

Tag us [@modway_furniture](#) and [#modway](#) for a chance to be featured.

modway



Questions? Contact us!
609.256.9000
cs@modway.com