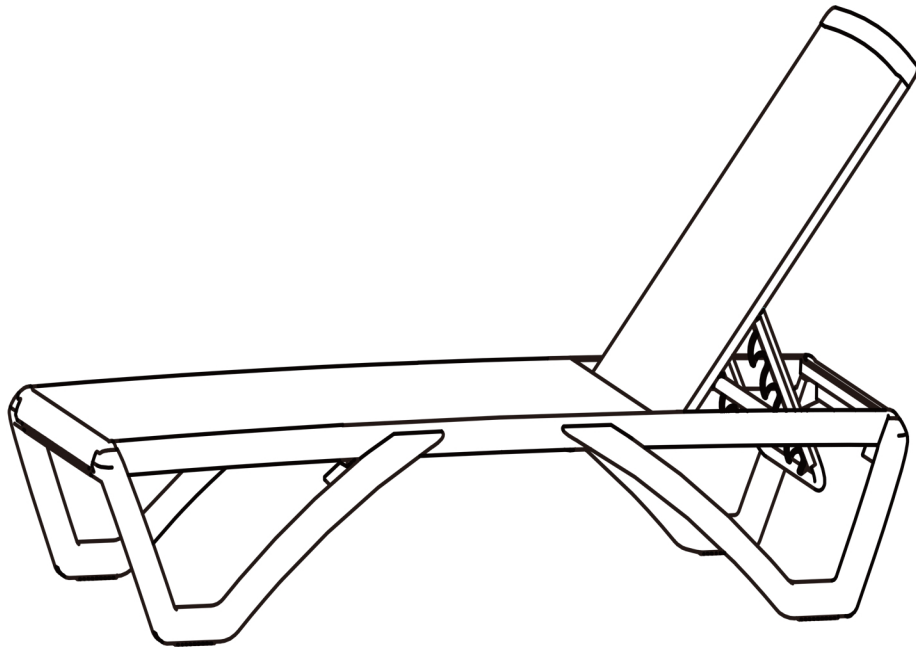




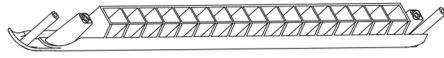
Patio Chaise Lounge Chair Assembly Manual



- Prior to assembly, please confirm all of the parts listed included.
- All bolts should be tightened before use. Maybe, you need allen wrench for assembly.
- Missing Part? Damaged? Contact us via email at domiservice01@outlook.com.

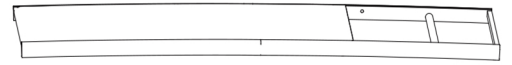
Part List:

A Plastic Bar



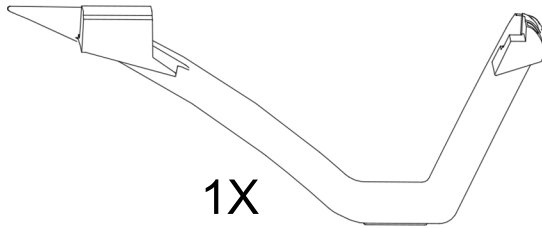
2X

B Main Seat Frame



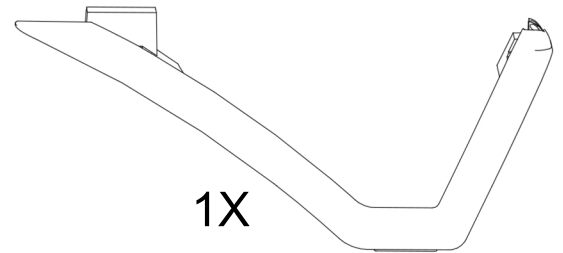
1X

C Leg



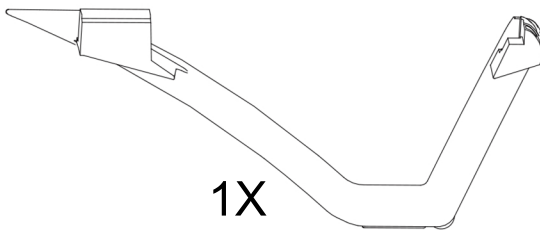
1X

D Leg



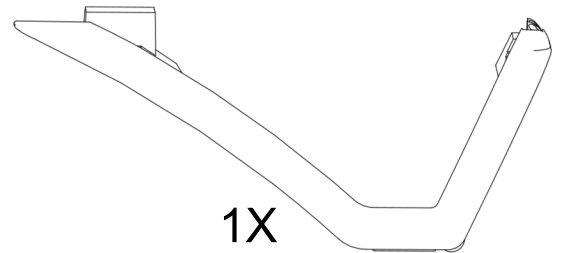
1X

E Leg



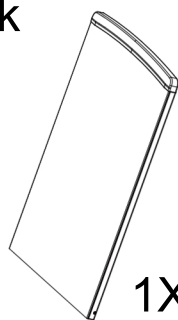
1X

F Leg



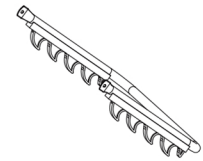
1X

G Back



1X

H Adjustment Tube



1X

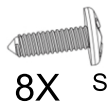
J Bolts
M6×30
14X



K Bolts
M6×45
2 X



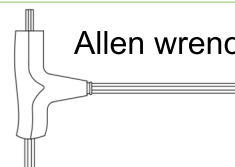
L Screws
ST4×15
8X



M Plastic cylinder



N Allen wrench



O Screwdriver

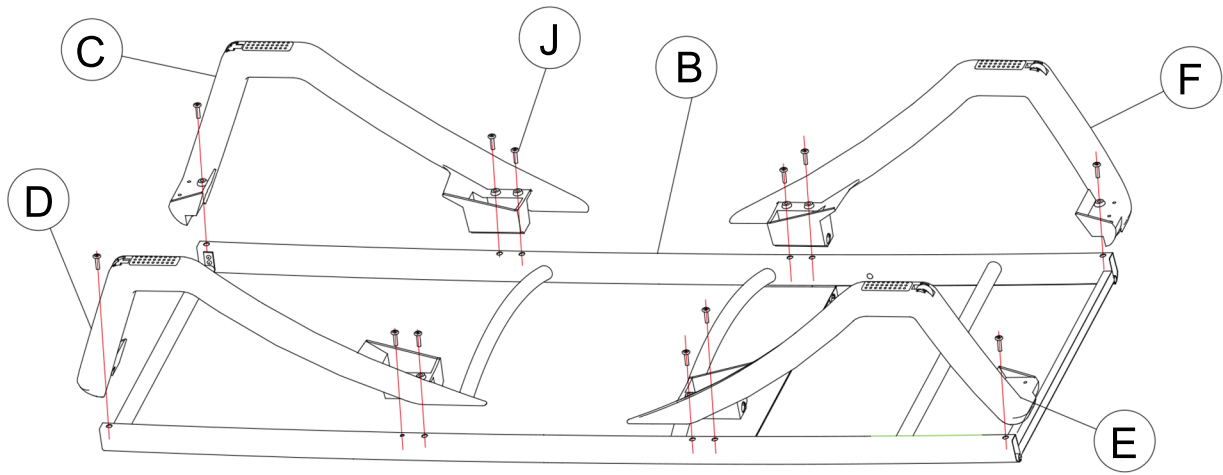


1

Friendly tip: Please do not completely tighten the screws during assembly. After all the screws are assembled in place, tighten them together.

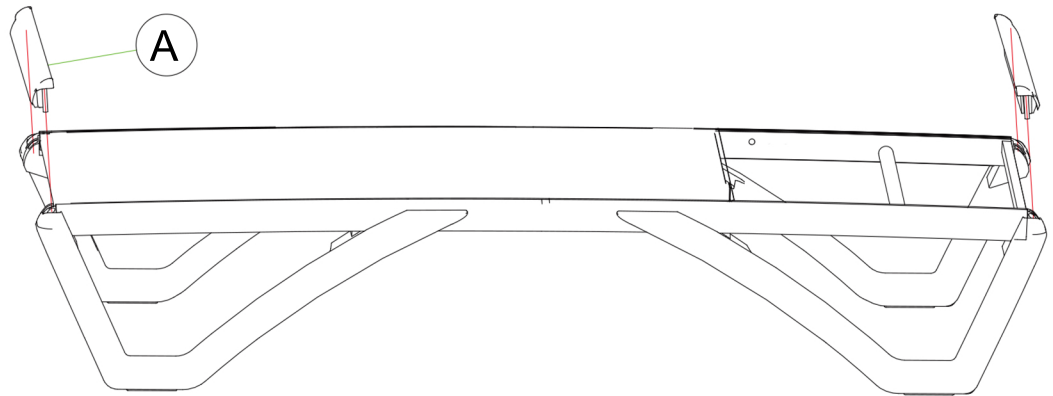
STEP - 1

Fix 4 legs (Part C,D,E,F) to Part B separately using Bolt J as shown in diagram.

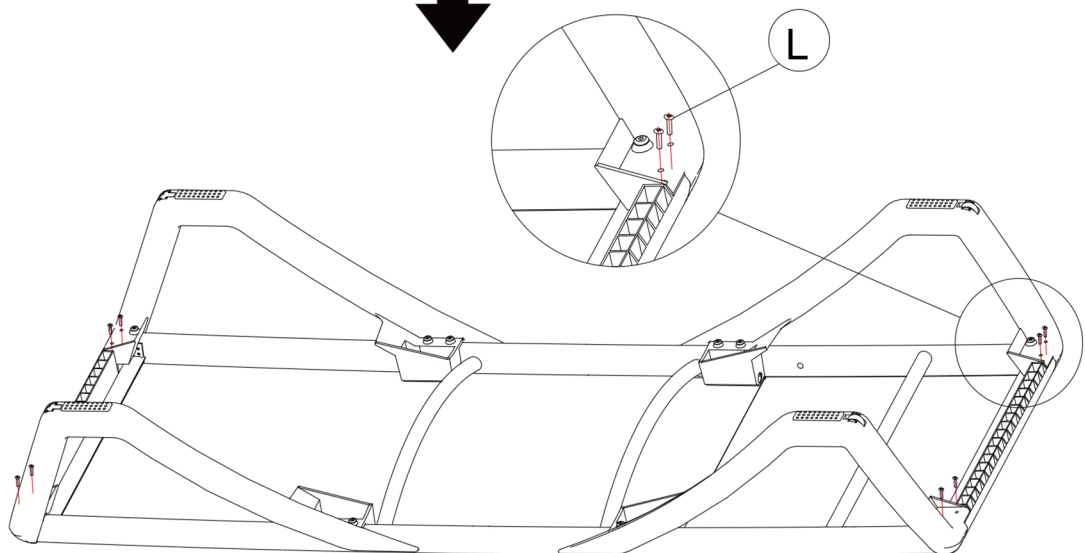


STEP - 2

Install Part A to the legs as shown in diagram.

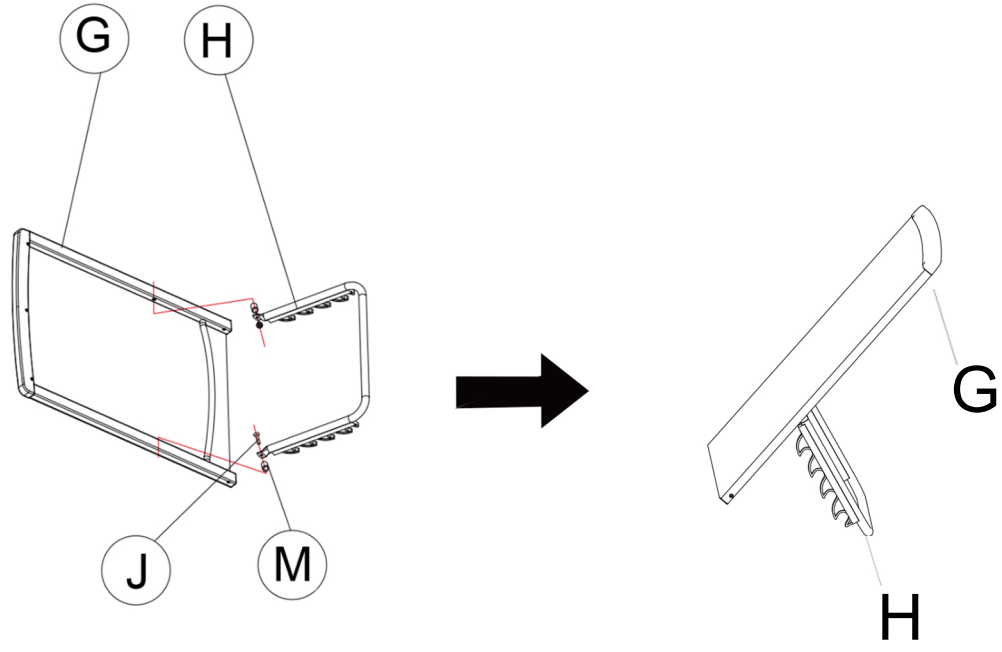


Turning it around, attach part A to the legs using Screws L.



STEP - 3

Connect Part H to Part G using Bolts J as shown in diagram.



Please note: The Plastic cylinder Part M must be between Part G and Part H.

STEP - 4

Connect Part G to Part B using Bolts K as shown in diagram.

