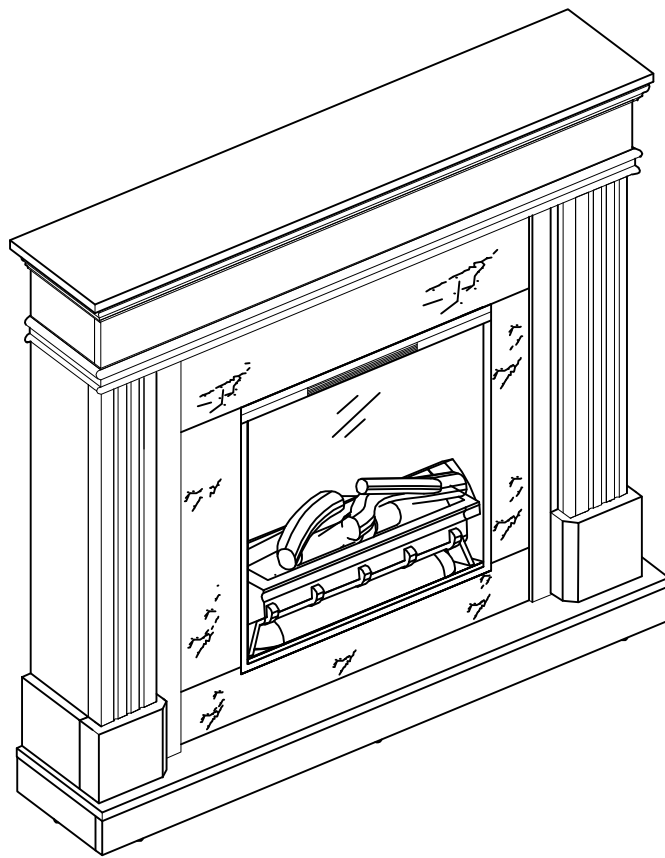


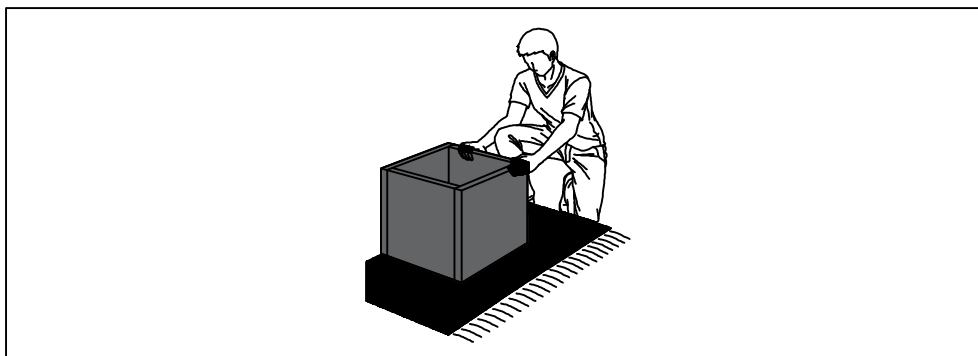
44" MANTEL WITH ELECTIC FIREPLACE

ASSEMBLY, CARE & USE INSTRUCTIONS



W128-RV23M-WH

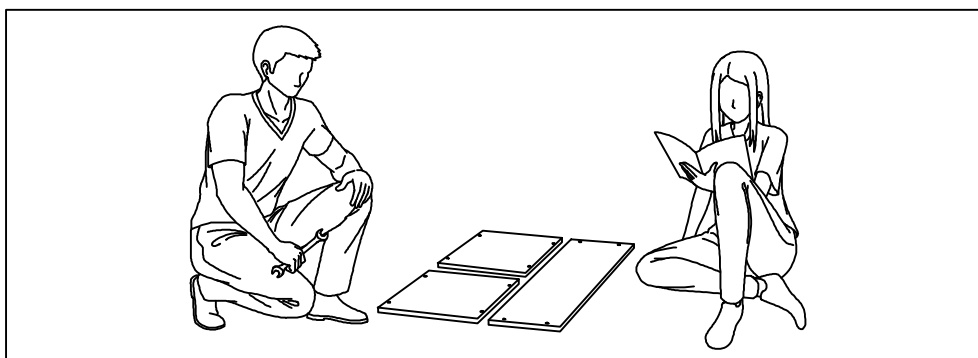
Thank you for your trust in purchasing our electric fireplace media mantel. We are committed to continuously developing quality products designed to enhance your home. For more information and to view our full range of products available for your home improvement needs.



Assemble the furniture on an empty carton, carpet, or rug to prevent scratches or damage

For safety, please keep pets and children away from the assembly area.

Ensure the product is fully assembled before use. If you are missing any hardware or products, do not use it until you have restored the missing parts.



This furniture requires 2 people for assembly.

Read this instruction manual prior to assembly to familiarize yourself with the various steps.

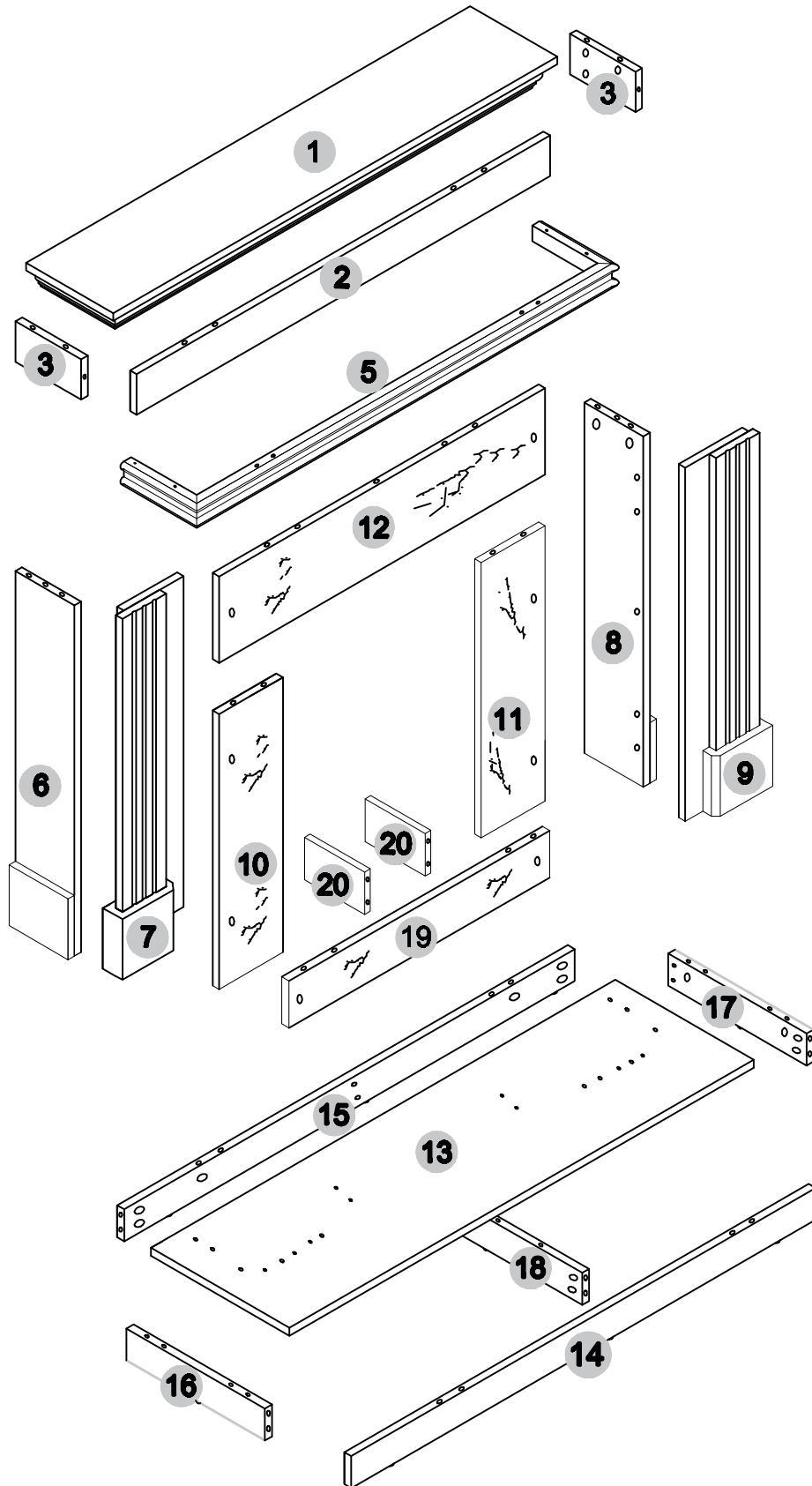
Lay out all components and hardware separately on a flat surface and make sure that no parts are missing or damaged before assembly. Do not destroy or discard any packaging until you are certain that you have all the necessary parts for assembly.

Hand tight all hardware and careful not to over tighten to avoid damaging the product.

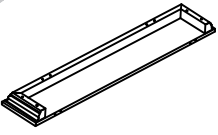
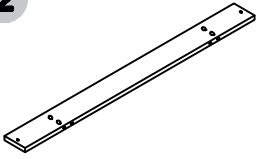
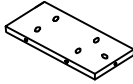
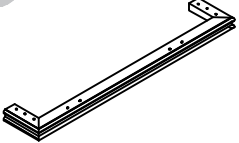
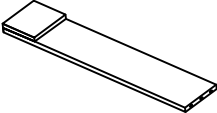

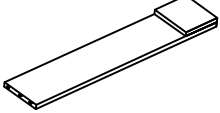

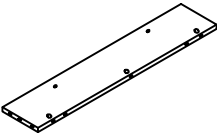
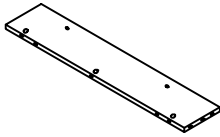
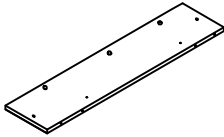
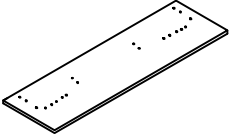
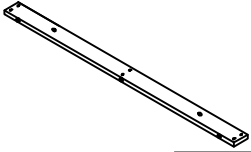
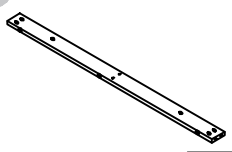
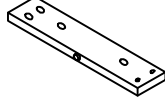
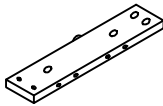
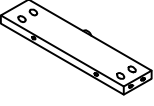
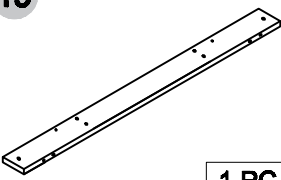
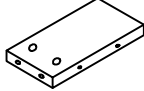
⚠ CAUTION

There are small components used in the construction of this product. Loose items should be kept away from pets and children to avoid a choking hazard.




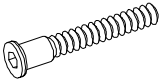
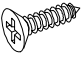

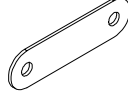
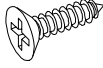

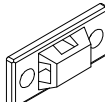
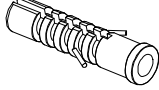
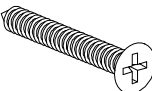

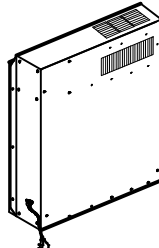


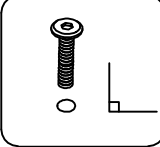
Keep all plastic bags and packaging film away from pets and children to avoid suffocation



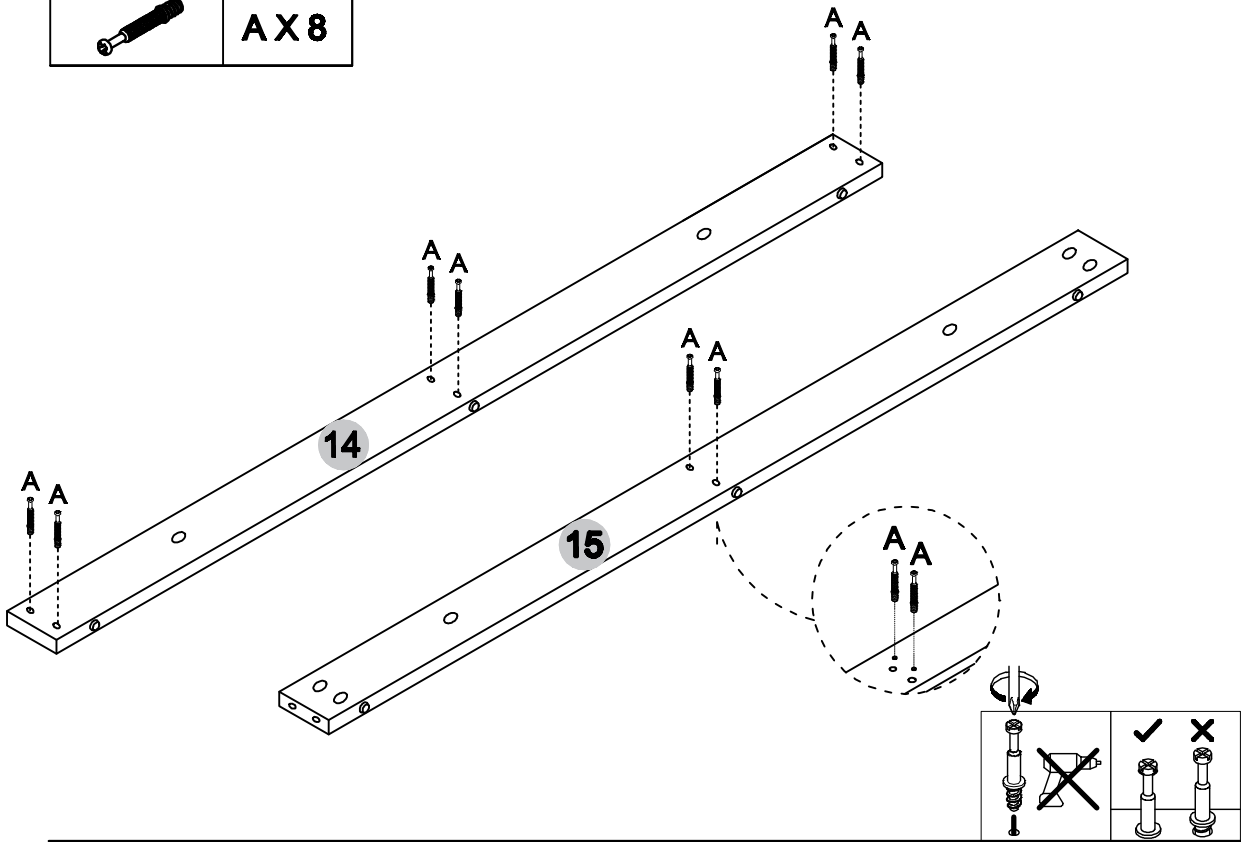
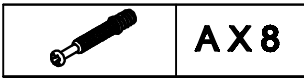
Parts List

1  1 PC	2  1 PC	3  2 PC	5  1 PC
6  1 PC	7  1 PC	8  1 PC	9  1 PC
10  1 PC	11  1 PC	12  1 PC	13  1 PC
14  1 PC	15  1 PC	16  1 PC	17  1 PC
18  1 PC	19  1 PC	20  2 PC	

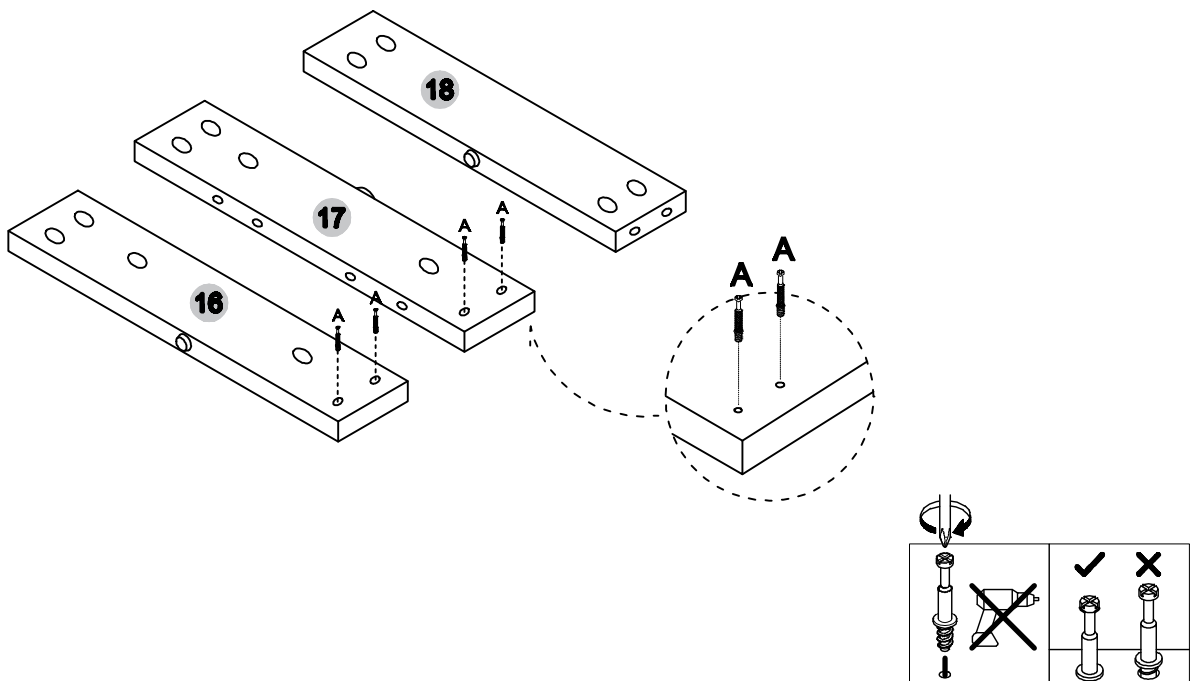
Hardware List

 <p>A 51 PCS</p>	<p>Ø15*10MM</p>  <p>B 51 PCS</p>	<p>Ø8*30MM</p>  <p>C 36PCS</p>	<p>Ø7*48MM</p>  <p>D 14 PCS</p>
<p>Ø3.0*12MM</p>  <p>E 8PCS</p>	<p>M6*25MM</p>  <p>F 8PCS</p>	<p>45*12*1.5MM</p>  <p>G 4 PCS</p>	<p>Ø3.5*16MM</p>  <p>H 4 PCS</p>
<p>M4</p>  <p>I</p>	<p>Ø4*35mm</p>     <p>J 4 PCS 4 PCS 4 PCS 2 PCS</p>		
 <p>Fireplace BOX</p>  <p>1 PCS</p>  <p>6 PCS</p>			
 <p>Install all hardware perpendicular to the opening.</p>			

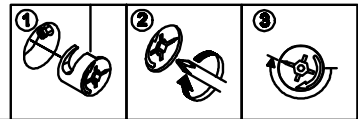
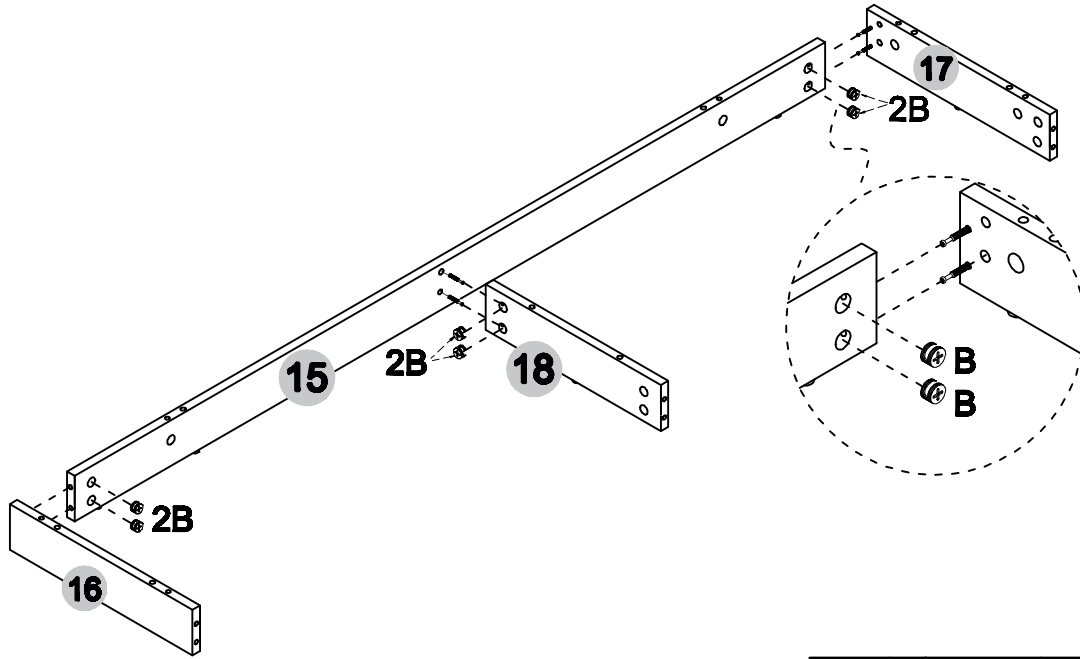
STEP 1



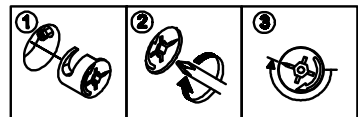
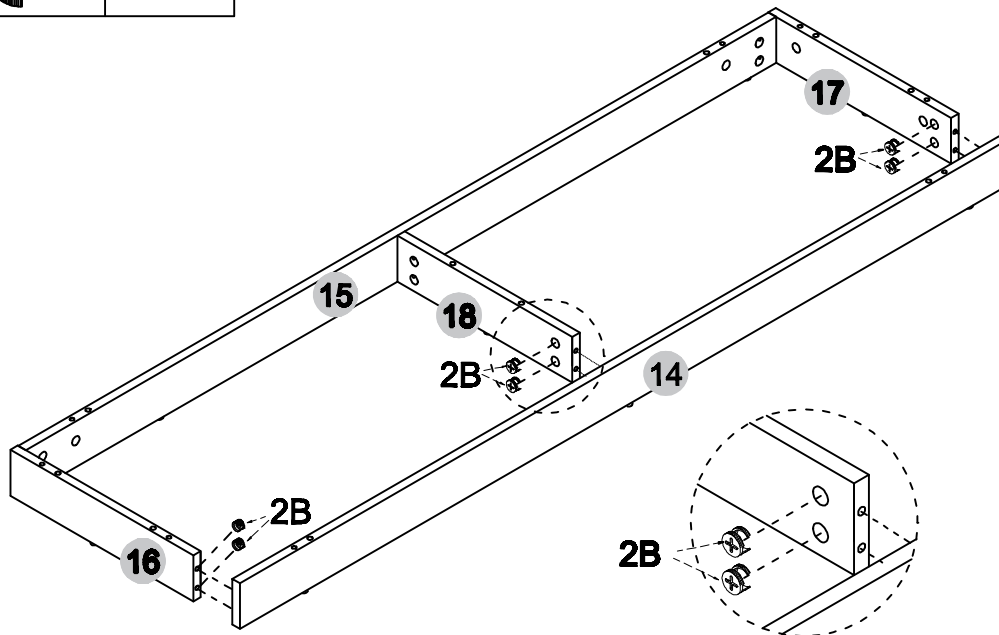
STEP 2



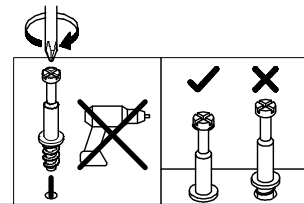
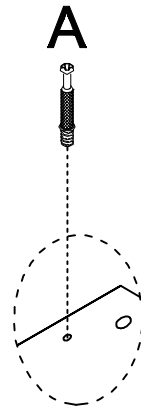
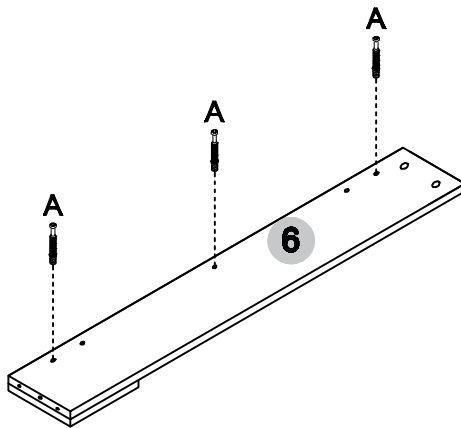
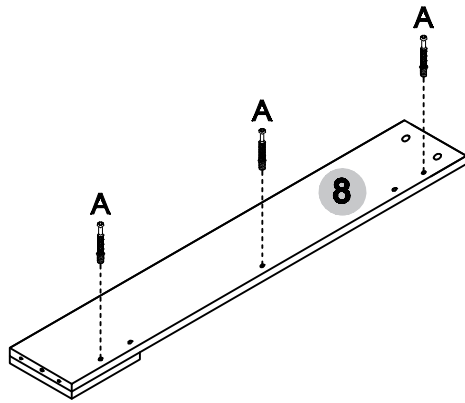
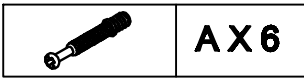
STEP 3



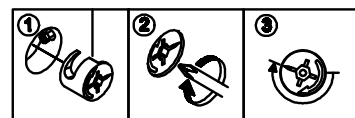
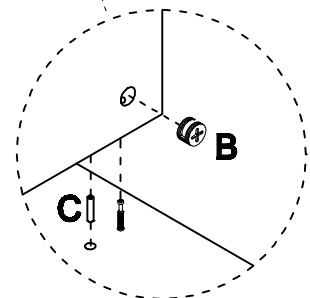
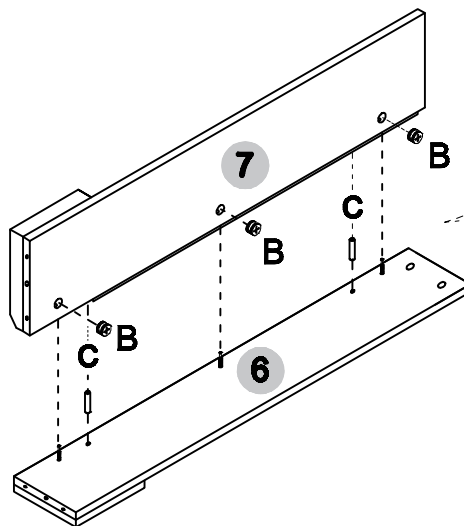
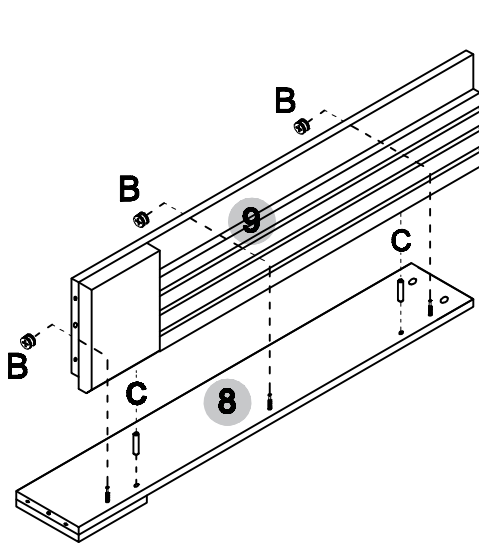
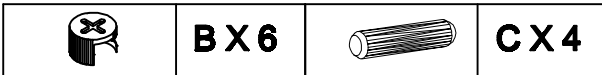
STEP 4




STEP5

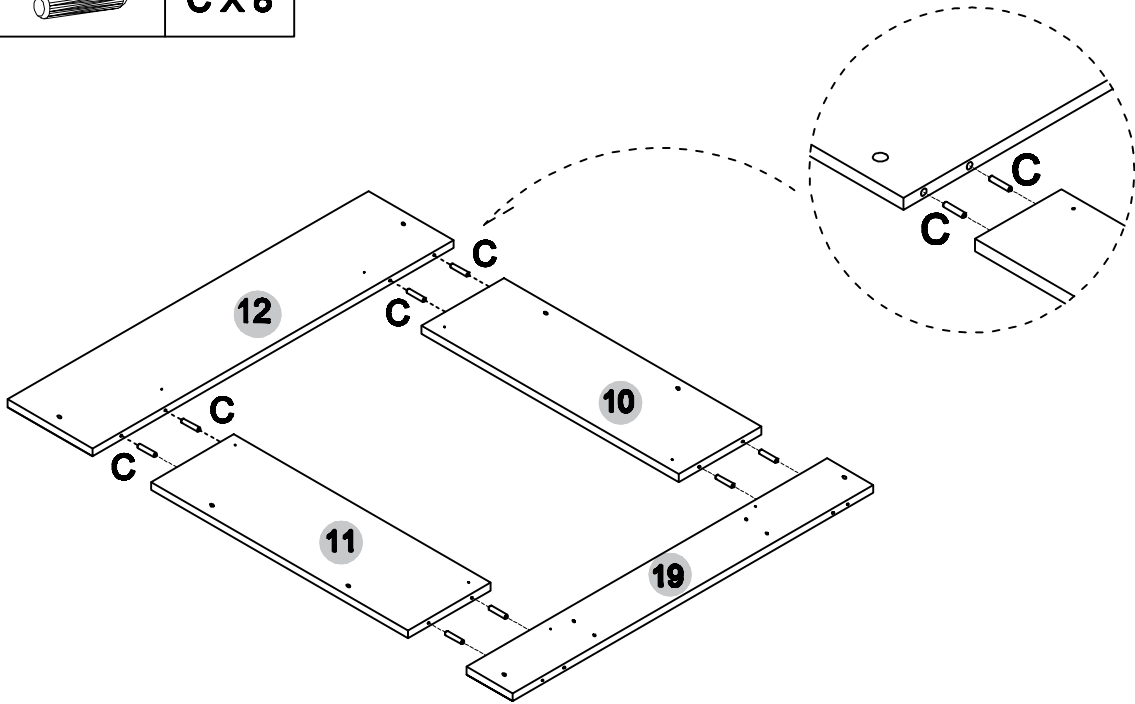


STEP6



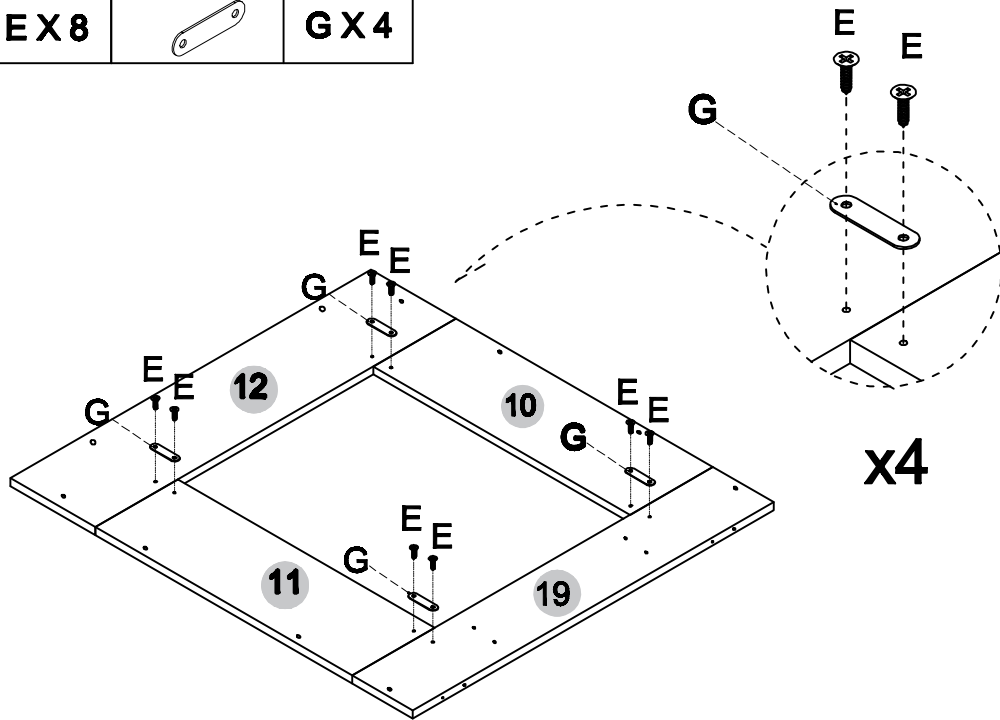
STEP 7

	C X 8
---	--------------




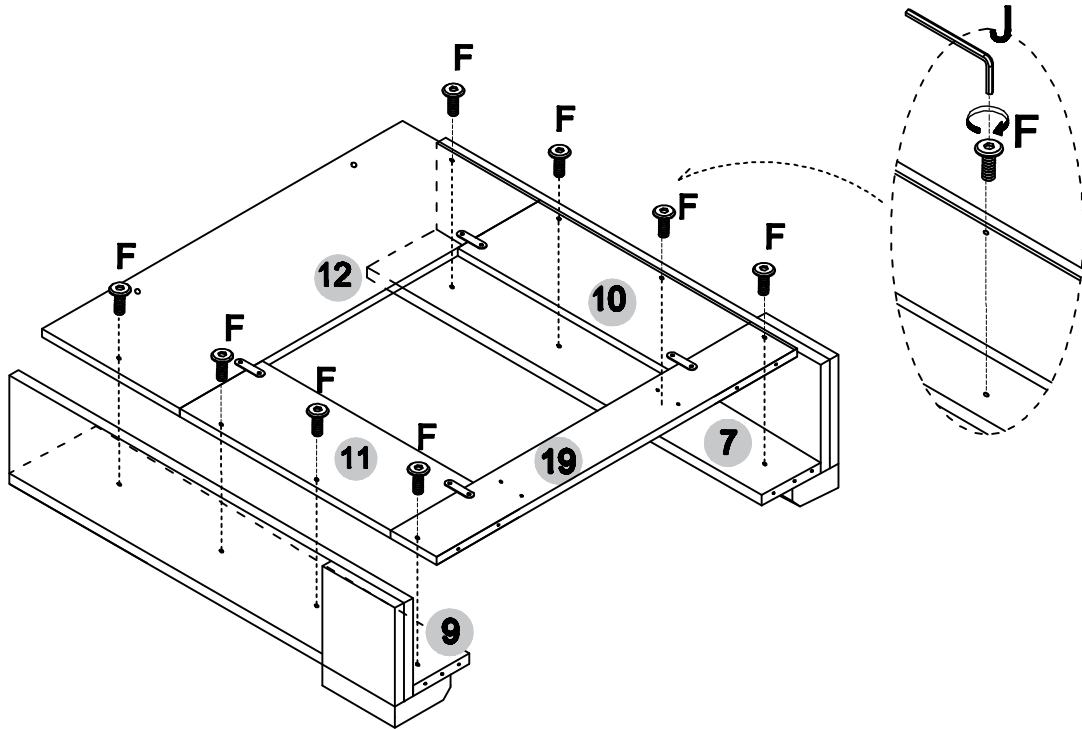
STEP 8

	E X 8		G X 4
---	--------------	---	--------------



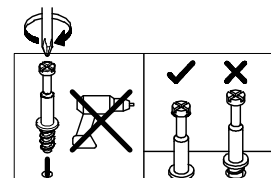
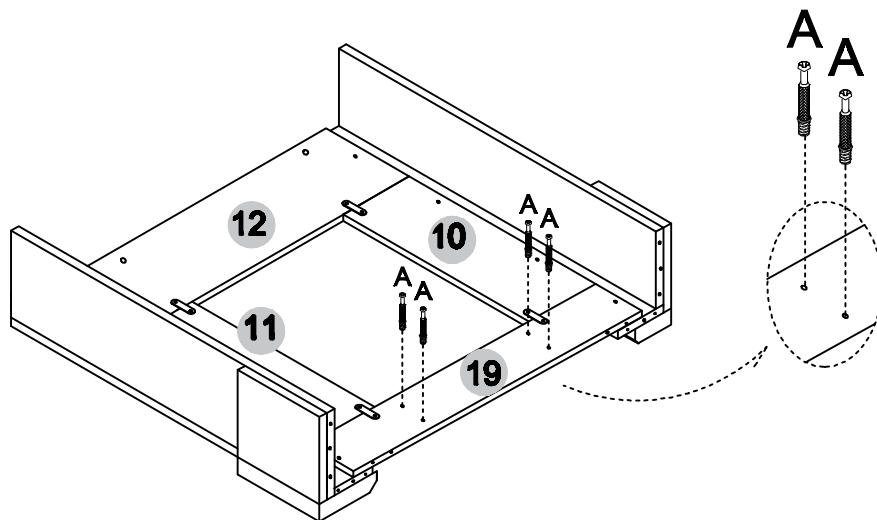
STEP 9

	FX8		J
---	------------	---	----------

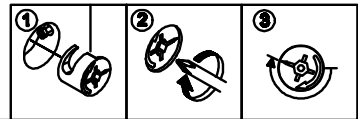
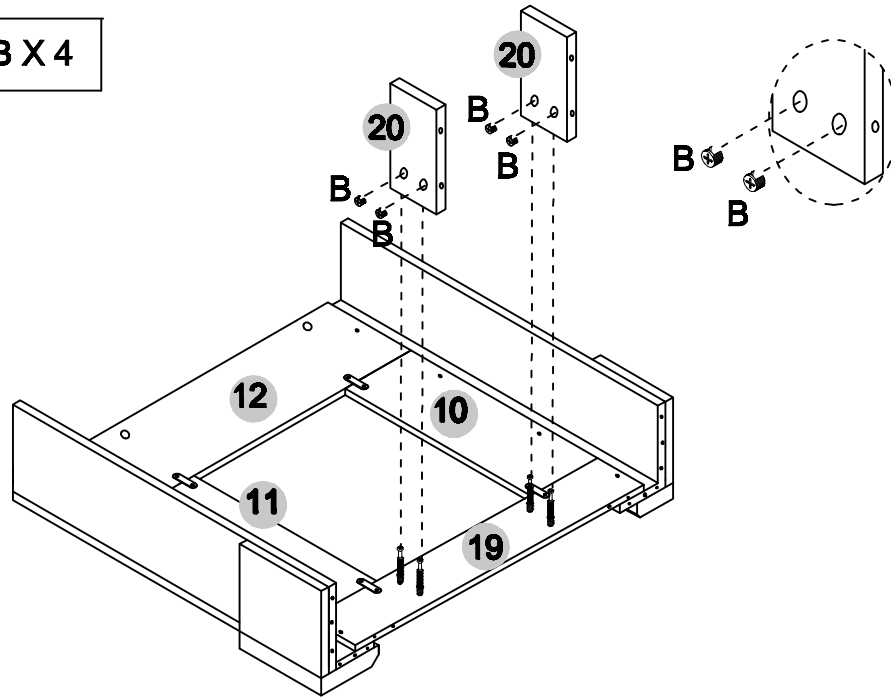


STEP 10

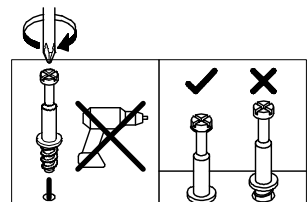
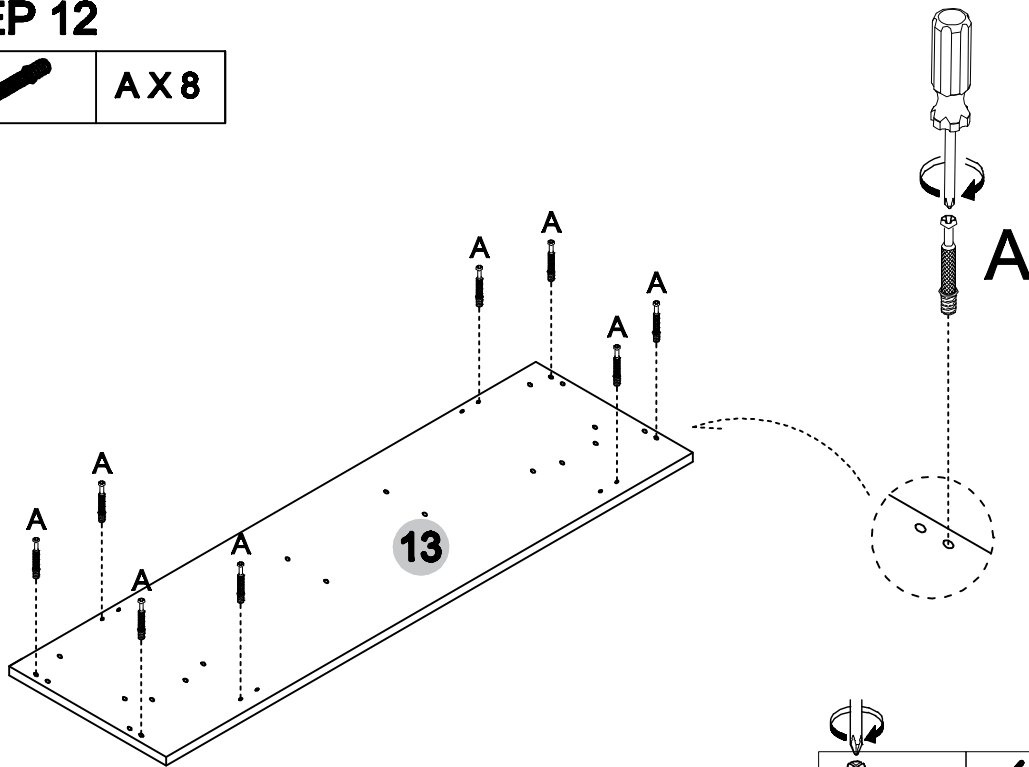
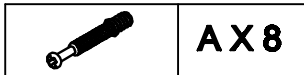
	AX4
---	------------



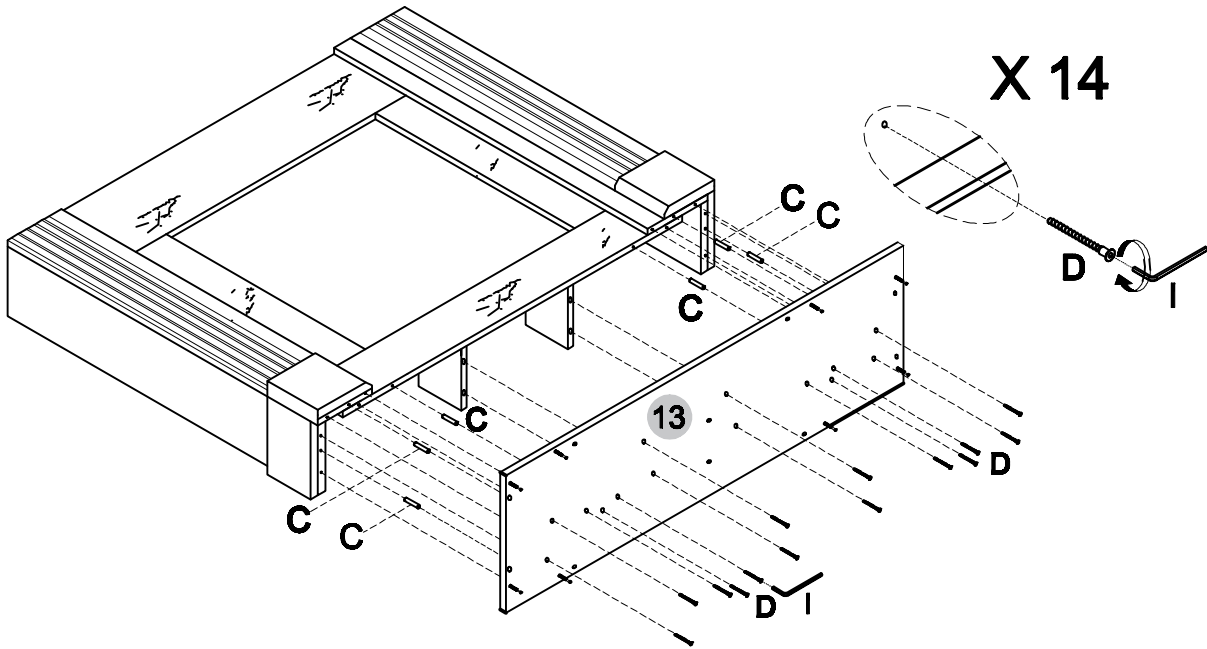
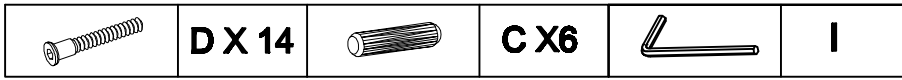
STEP 11



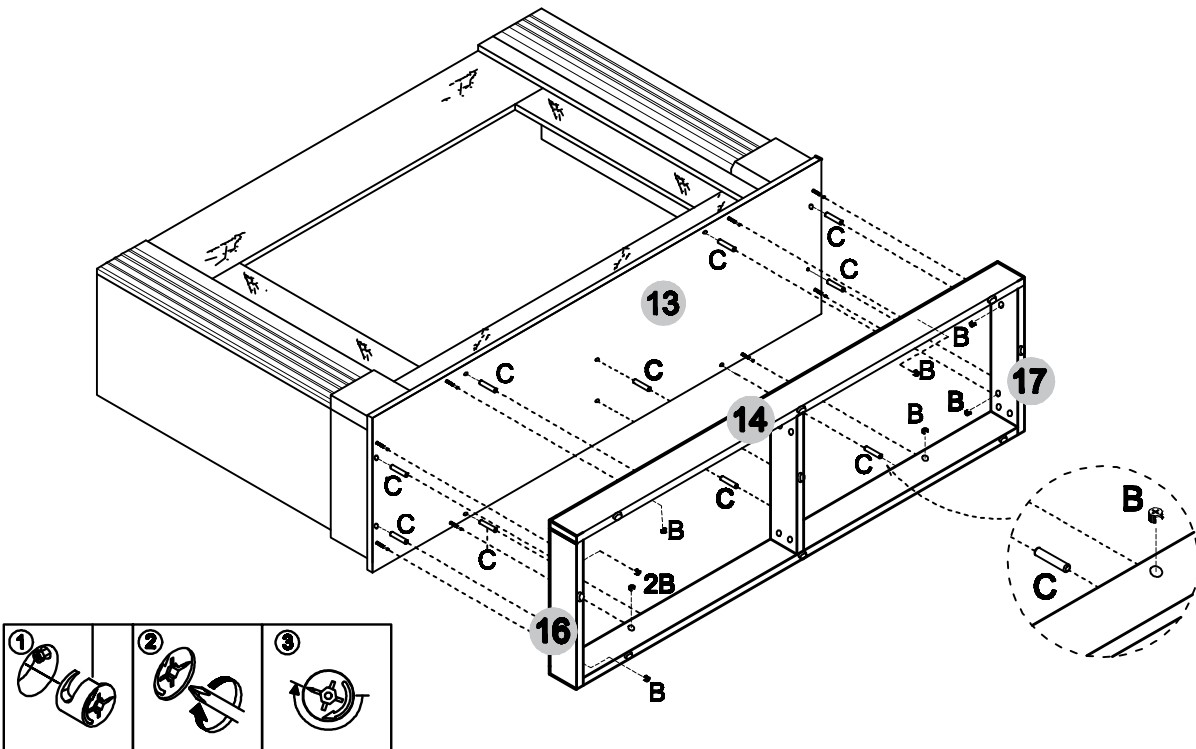
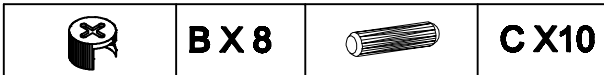
STEP 12



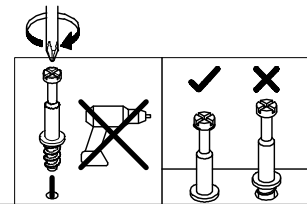
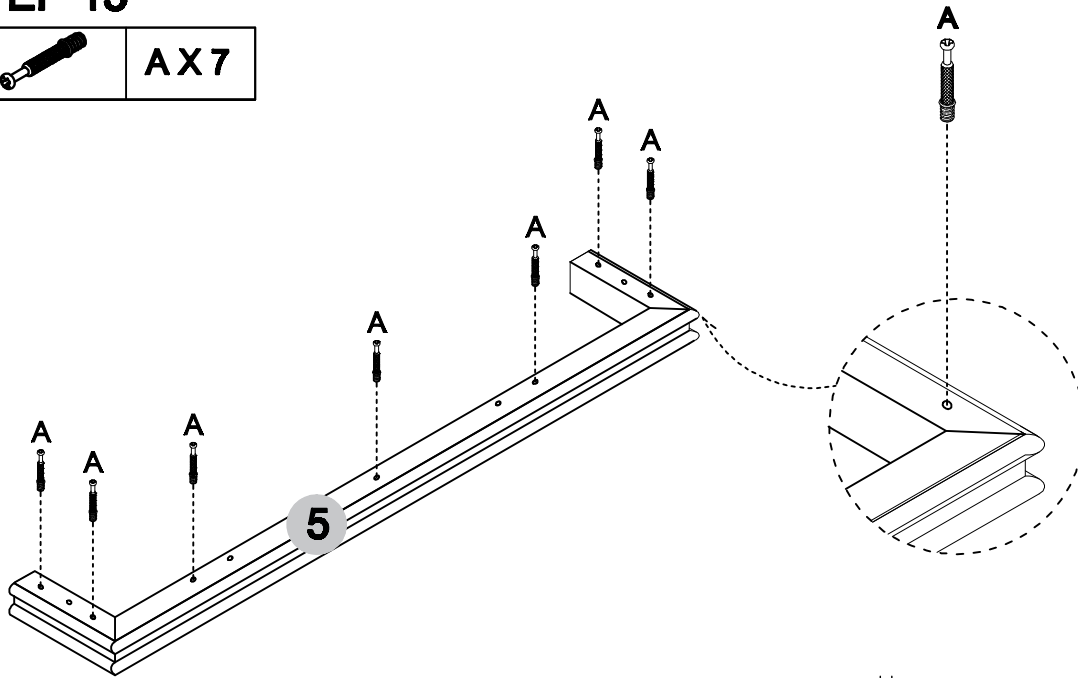
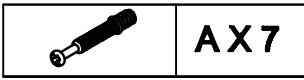
STEP 13



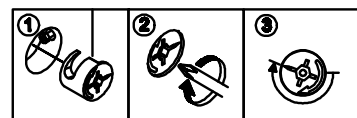
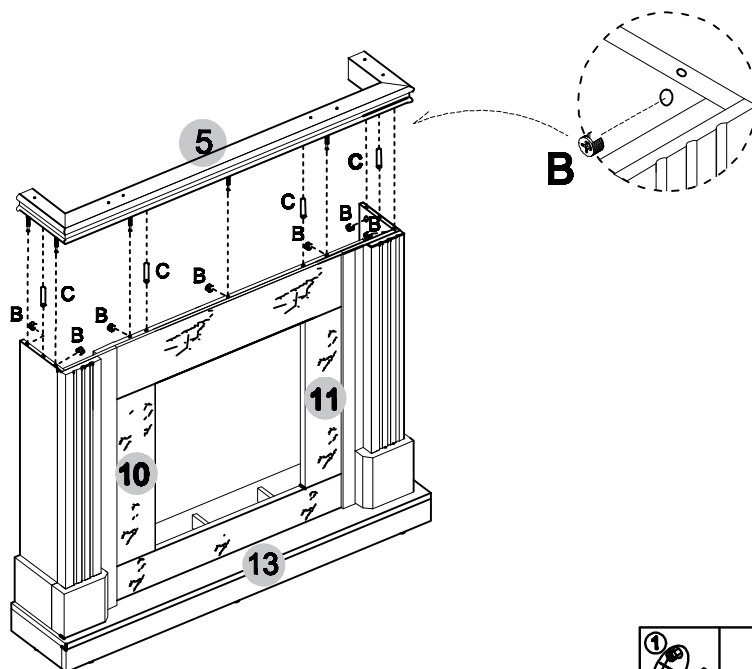
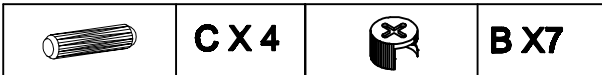
STEP 14




STEP 15

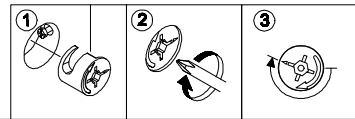
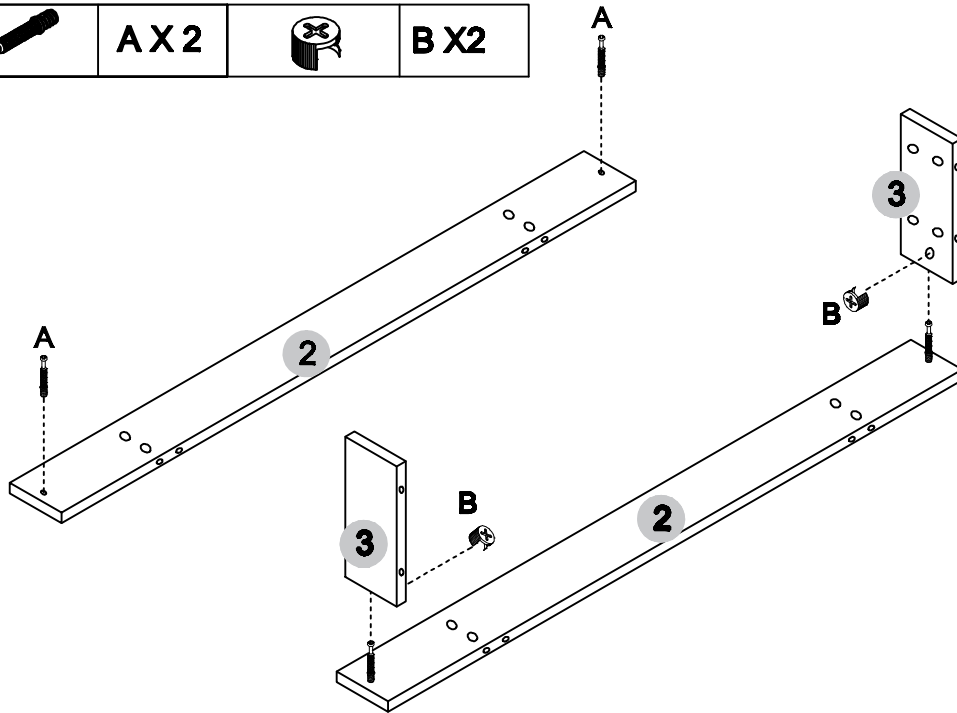


STEP 16



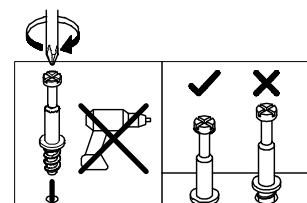
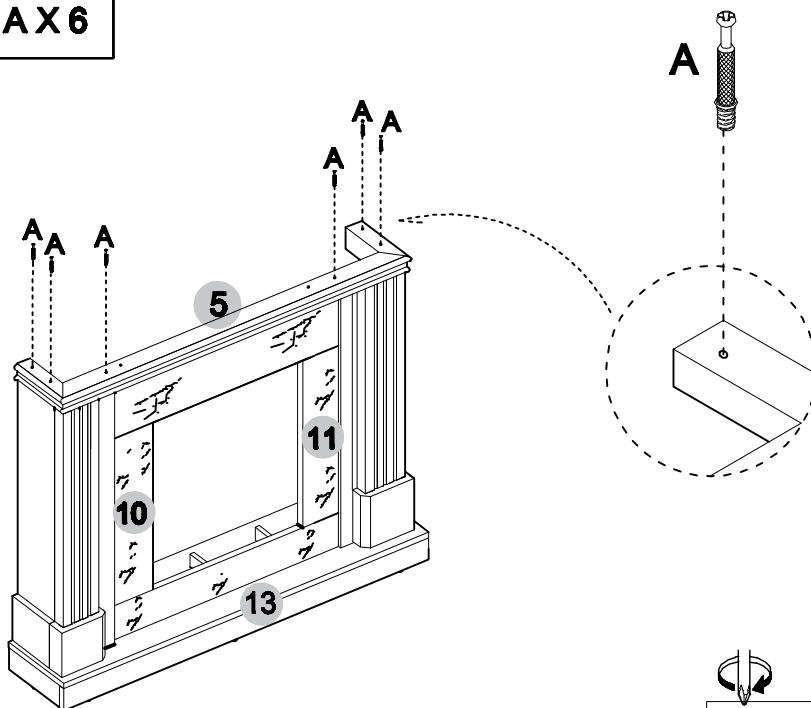
STEP 17

	A X 2		B X 2
---	--------------	---	--------------




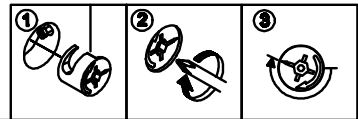
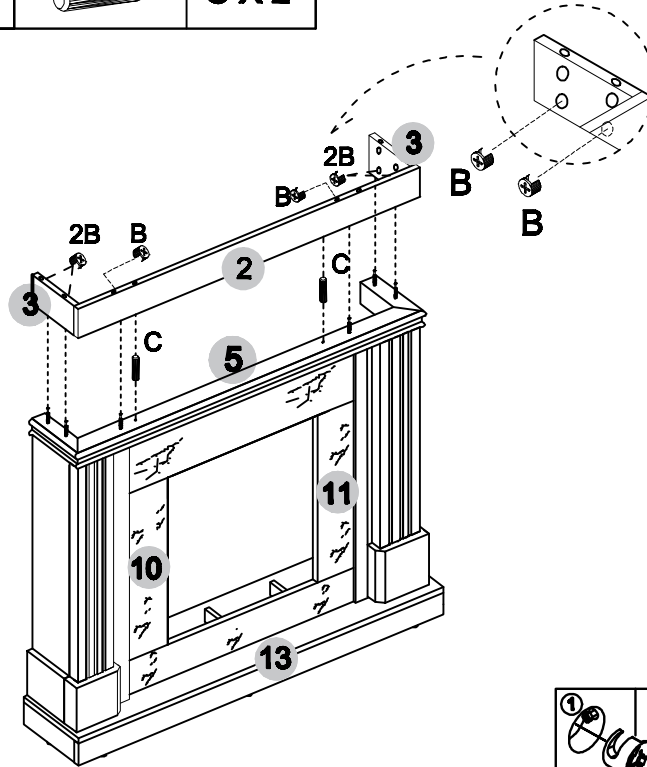
STEP 18

	A X 6
---	--------------



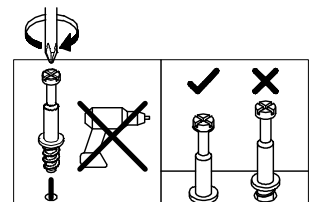
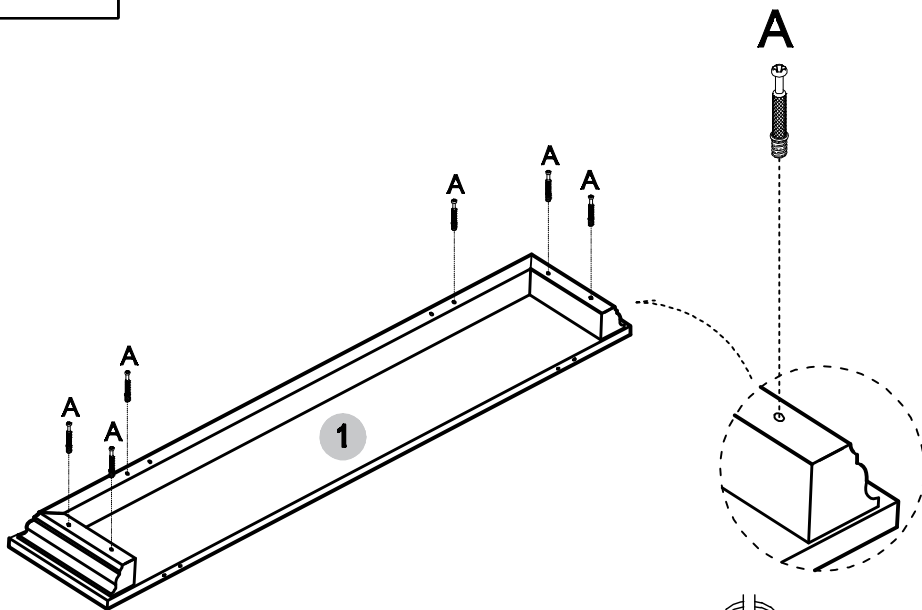
STEP 19

	B X6		C X2
---	-------------	---	-------------

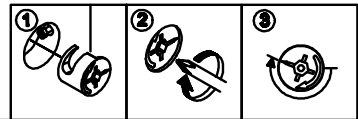
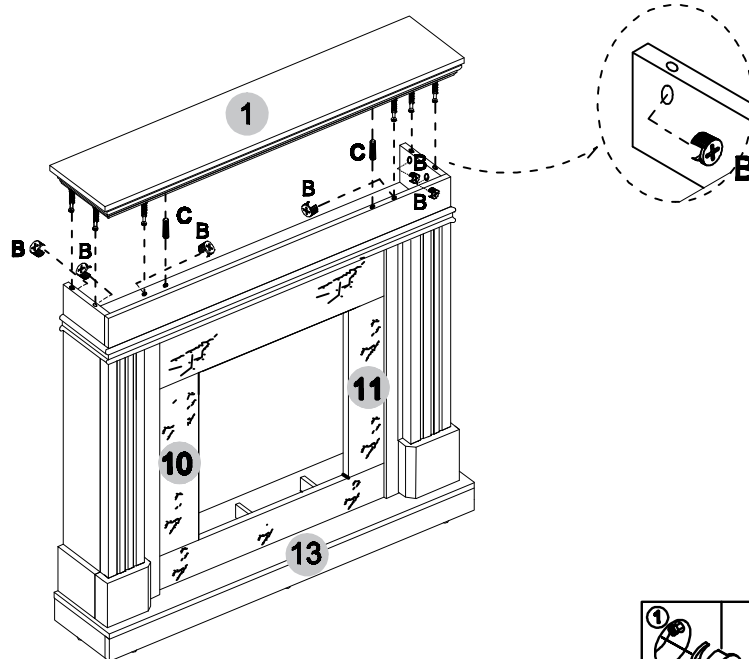


STEP 20

	A X6
---	-------------

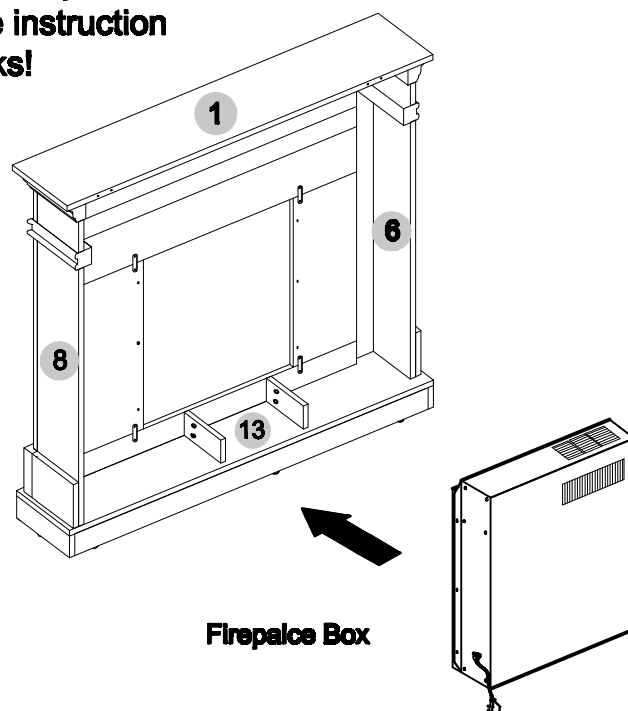


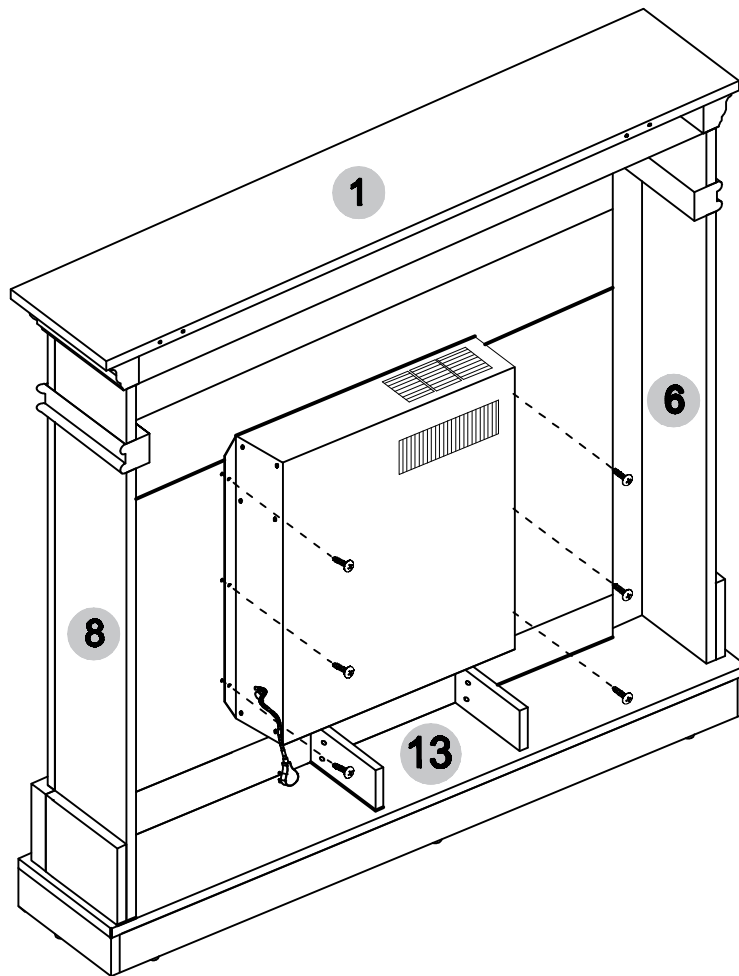
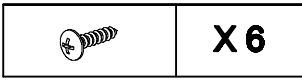
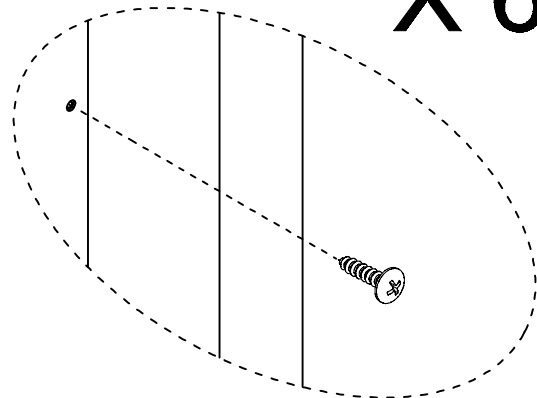
STEP 21



STEP 22

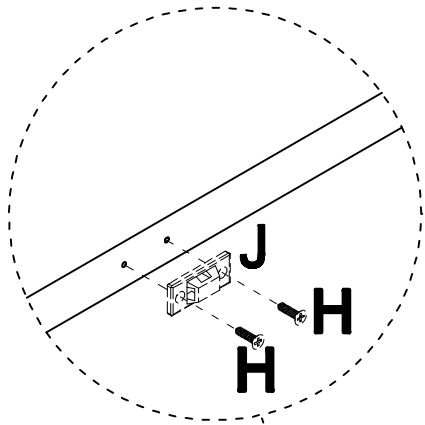
Kindly Reminder:
The installation of Fireplace,
Please refer to the instruction
of Firepalce, thanks!



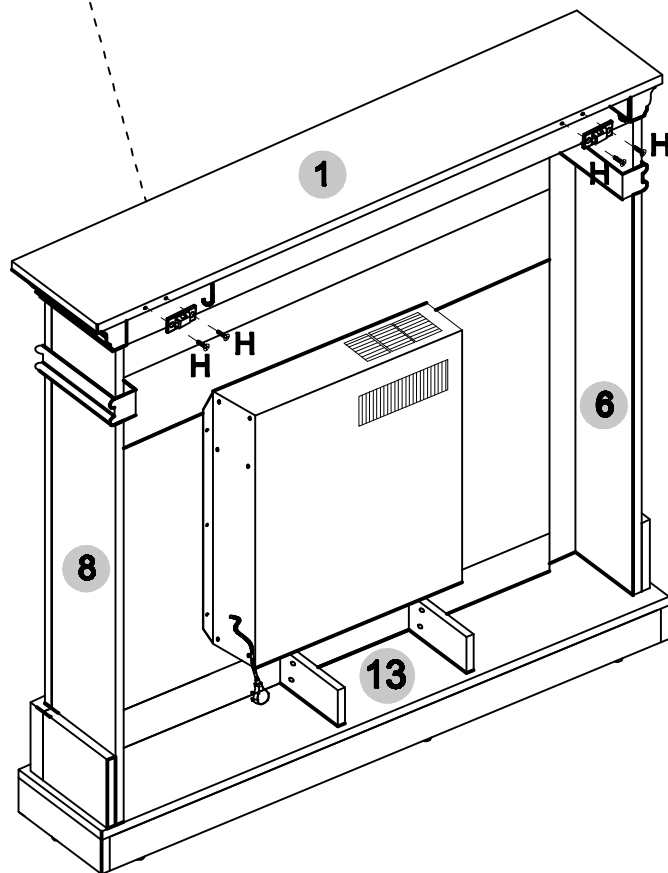
STEP 23**X 6**

STEP 24

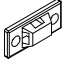
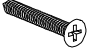

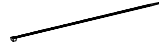
	J X 2		H X 4
---	--------------	---	--------------

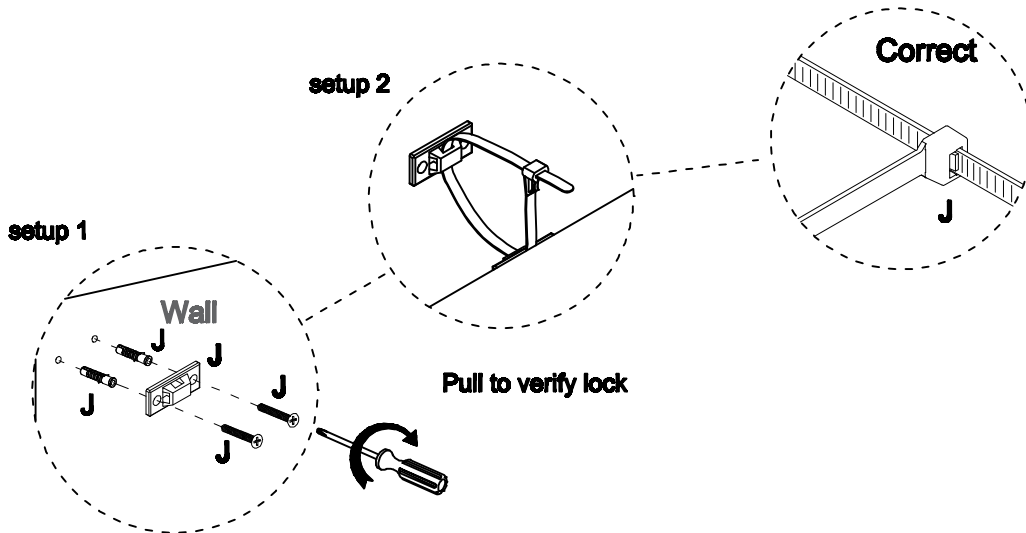


X 2



STEP 25

	J X 2		J X 4		J X 4		J X 2
---	-------	---	-------	---	-------	---	-------



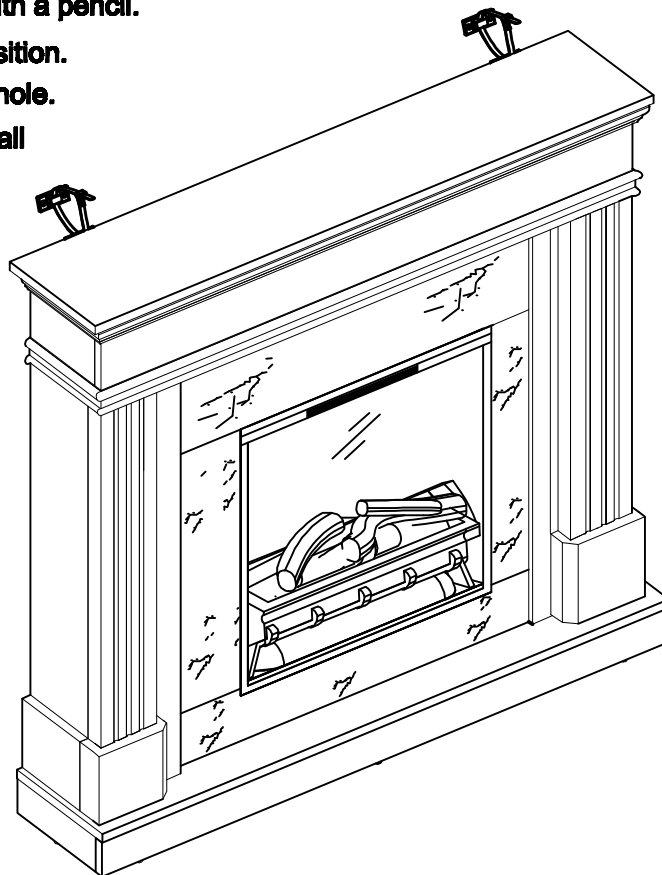
Furniture must be permanently fitted to the wall stud with an included anti-tipping device to prevent the furniture from tipping over.

Mark the drill position on the wall with a pencil.

Drill a small hole on the marked position.

insert a wall anchor into the drilled hole.

Fixed the anti-tipping strap to the wall with provided screws.



Assembly is complete