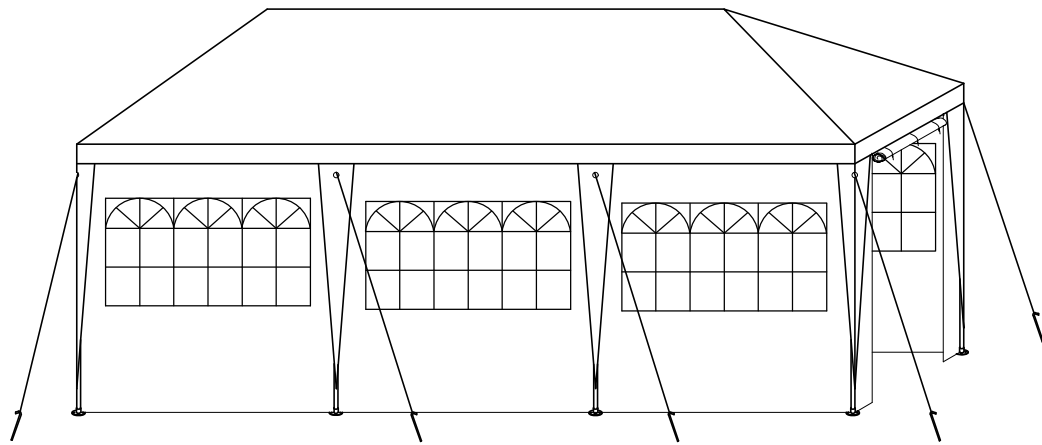





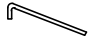
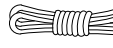
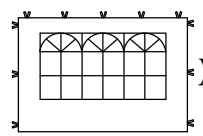
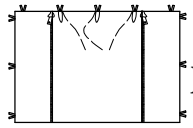
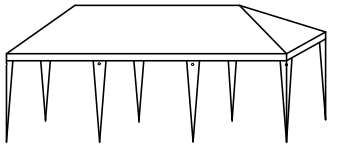
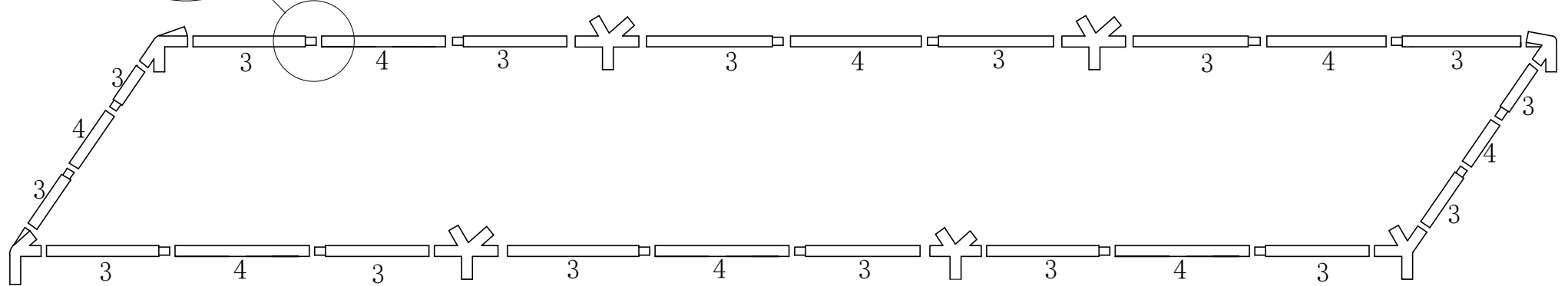
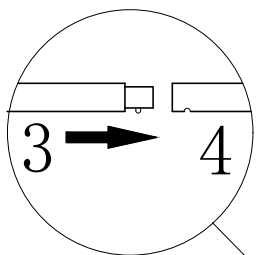


# 3 X 9 M

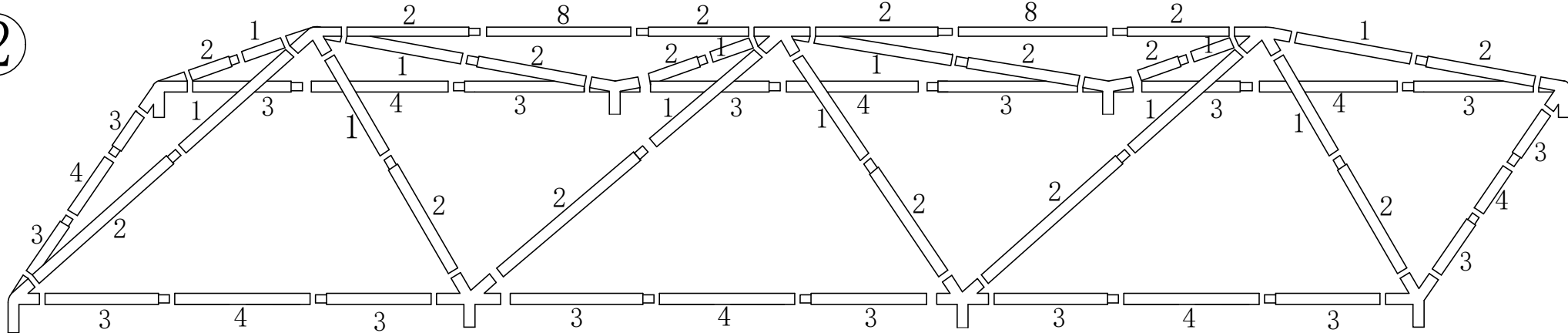


- |   |              |     |   |   |
|---|--------------|-----|---|---|
| ① | X12=φ24X1085 | X12 |  X 4  |  X 1  |
| ② | X16=φ24X1070 | X16 |  X 4 |  X 2 |
| ③ | X16=φ24X1070 | X16 |  X 8 |  X16 |
| ④ | X8=φ24X850   | X 8 |  X 8 |   |
| ⑤ | X8=φ31X1070  | X 8 |  X6  |  X2  |
| ⑥ | X8=φ31X945   | X 8 |   |   |
| ⑧ | X2=φ24X870   | X 2 |  X 1 |   |

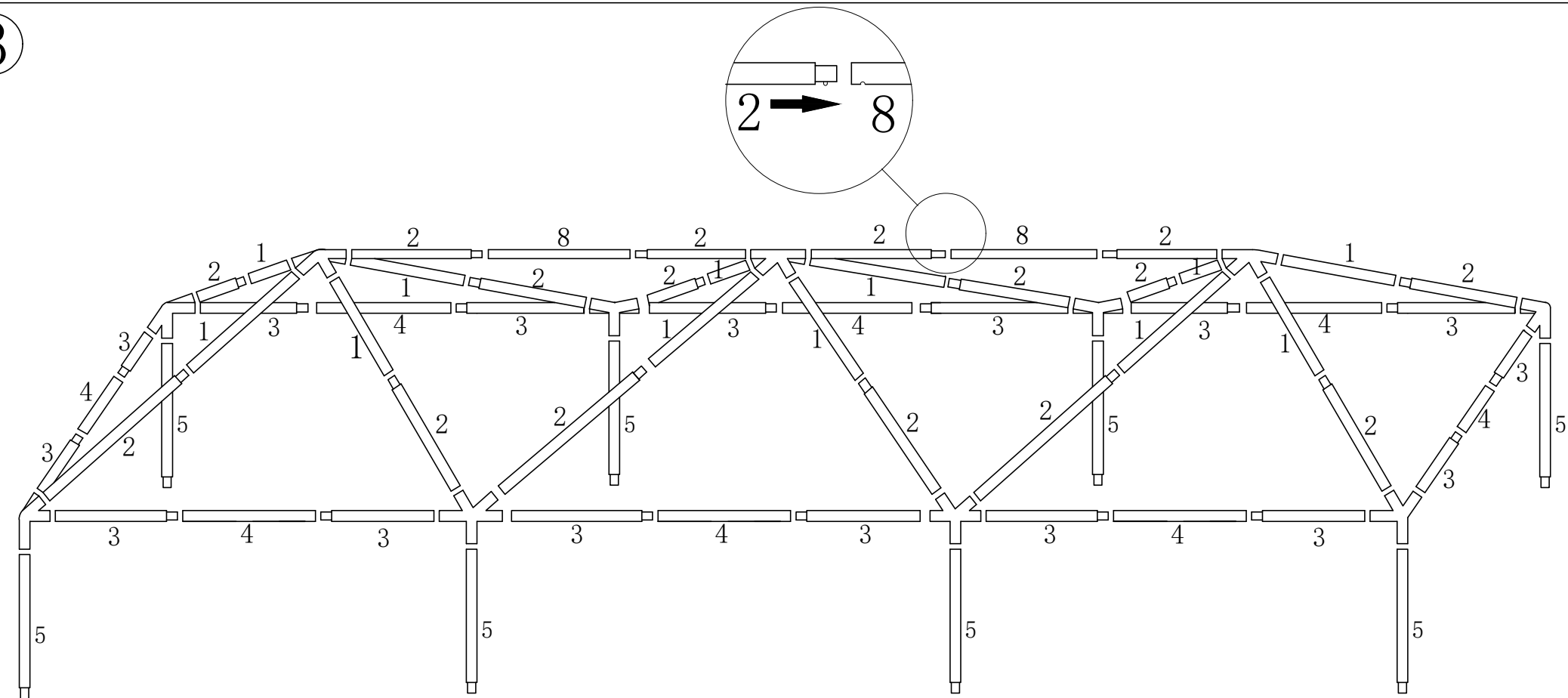
①



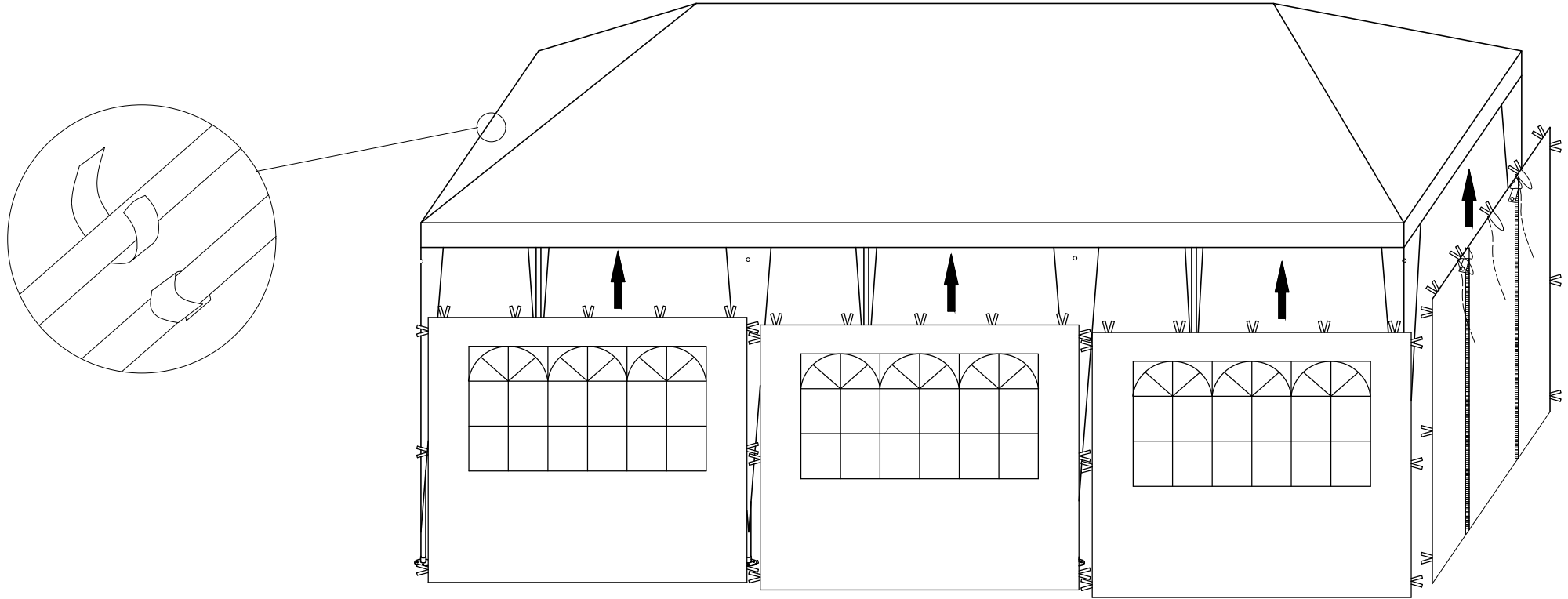
2



3



6



7

