

WARNING

(To reduce the risk of fire, electric shock, or injury to persons):

1. We suggest installation by a licensed electrician.
2. Please read the instruction carefully and save it as you may need it at later time.
3. Before you start, NEVER attempt any work without shutting off the electricity until the work is done. A).

Go to the main fuse, or circuit breaker, box in your home. Place the main power switch in the “OFF” position. B).

Place the wall switch in the “OFF” position.

4. Mounting surface should be clean, dry, flat, strong enough and 1/4” larger than the canopy on all side.

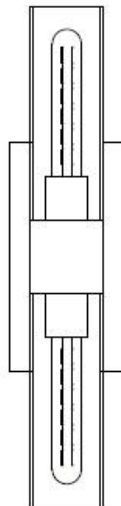
Any gaps between the mounting surface and canopy exceeding 3/16 ” should be corrected as required.

5. Make sure that the ceiling or wall can bear the weight of the lamp before fixture.
6. Make sure the voltage you are using is 120V. The maximum wattage is 60W per bulb.
7. Keep the lamp away from acidic objects in case of damaging the surface of the lamp.
8. When replacing bulb, you should turn off or unplug the lamp and you must wait until it is cool as bulbs get hot quickly.
9. The safety instructions appearing in this manual are not meant to cover all possible conditions that may occur.

It must be understood that common sense, caution and care must be used with any electrical products.

10. Do not touch the bulb or lamp shade during the lighting fixture working.

Image for finished product:



Screw



Wire connector

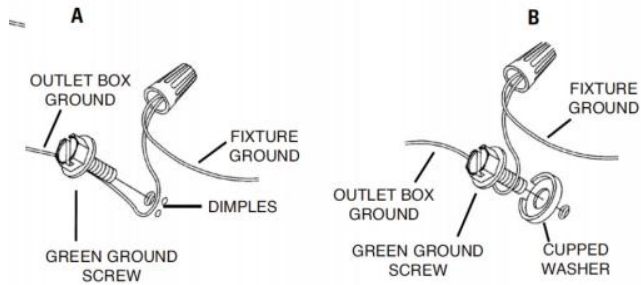


Instruction

Installation Procedures:

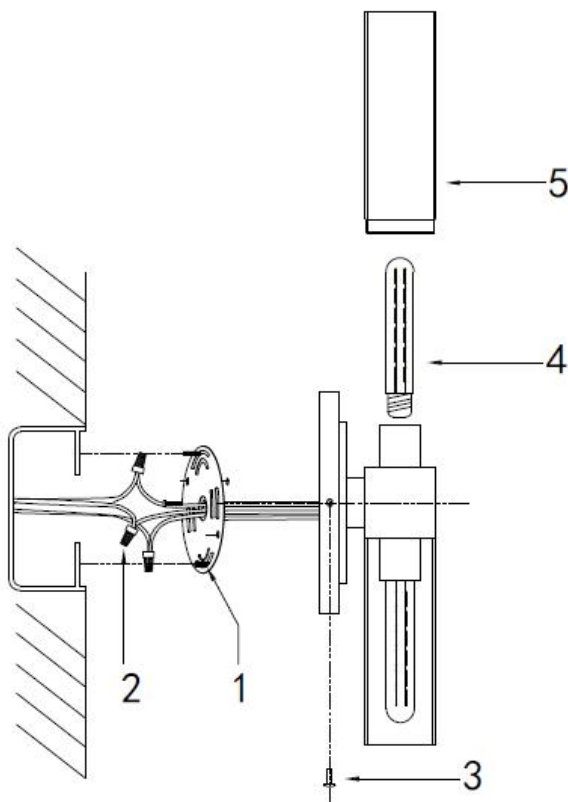
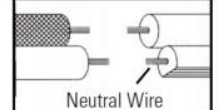
First:

- A) Open the package and take out all the parts or accessories, then place them on a clean flat place.
- B) Please turn off the power.



Connect Black or Red Supply Wire to:	Connect White Supply Wire to:
Black	White
*Parallel cord (round & smooth)	*Parallel cord (square & ridged)
Clear, Brown, Gold or Black without tracer	Clear, Brown, Gold or Black with tracer
Insulated wire (other than green) with copper conductor	Insulated wire (other than green) with silver conductor

*Note: When parallel wires (SPT I & SPT II) are used. The neutral wire is square shaped or ridged and the other wire will be round in shape or smooth (see illus.)



- 1.Lock the mounting bracket tightly on the junction box.
- 2.Connect with live wire (L), neutral wire (N) and earth wire (E).Connect to junction box.
- 3.Use nuts lock to the lamp body on the mounting bracket.
- 4.Install the E26 long light bulbs.
- 5.Install the glass .