

CRAFTMADE

LIGHTING

#24232- MB

Please read carefully and save these instructions, as you may need them at a later date.

CAUTION

Turn off the main power at the circuit breaker before installing the fixture, in order to prevent possible shock.

All electrical connections must be in accordance with local and National Electrical Code (N.E.C.) standards. If you are unfamiliar with proper electrical wiring connections obtain the services of a qualified electrician.

GENERAL

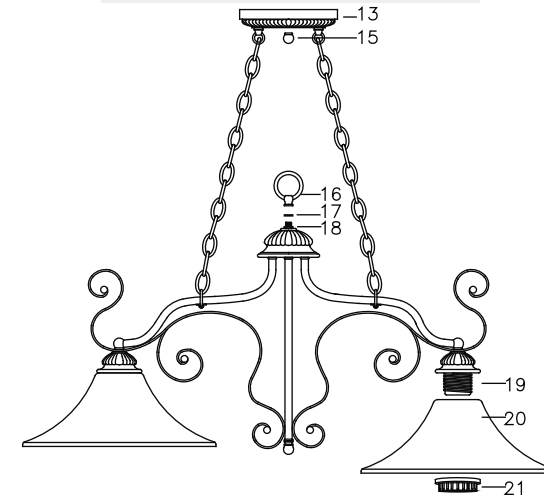
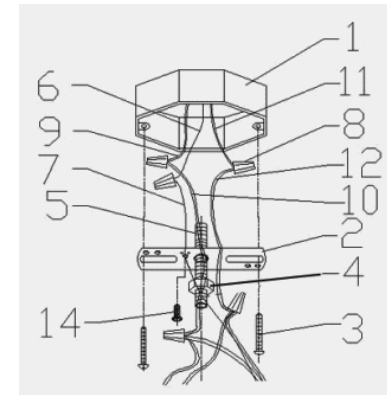
Remove the fixture and the mounting package from the box and make sure that no parts are missing by referencing the illustrations on the installation instructions.

ASSEMBLY AND INSTALLATION

1. Thread the 1/8" IPS HEX NUT (4) onto the THREADED ROD (5), and screw the THREADED ROD (5) into the MOUNTING BRACKET (2), without tightening the 1/8" IPS HEX NUT (4).
2. Pull the power supply wires out from the OUTLET BOX (1), and mount the MOUNTING BRACKET (2) to the OUTLET BOX (1), using IPS MOUNTING SCREWS (3).
3. Attach the power supply wires to the fixture lead wires by connecting the BLACK (SMOOTH) FIXTURE LEAD WIRE (10) to the BLACK SUPPLY WIRE (9), and the WHITE (RIBBED) FIXTURE LEAD WIRE (12) to the WHITE SUPPLY WIRE (11) using WIRE CONNECTION (8). Loop the FIXTURE GROUND WIRE (7) around the GROUND SCREW (14) of the MOUNTING BRACKET (2). Connect the remaining FIXTURE GROUND WIRE (7) to the SUPPLY GROUND WIRE (6) using a WIRE NUT (8). Place wiring and connections inside the OUTLET BOX (1).
4. Place the CANOPY (13) of the fixture over the OUTLET BOX (1) so that the THREADED ROD (5) protrudes out through the mounting hole located in the center of the CANOPY (13) no less than 1/4". Remove the CANOPY (13) and secure the position of the THREADED ROD (5) by tightening the 1/8" IPS HEX NUT (4) against the MOUNTING BRACKET (2). Place the CANOPY (13) back onto the THREADED ROD (5), and secure into place using the DECORATIVE NUT (15) provided.
5. Place the COVER (17) over the THREADED ROD (18), thread the FIXTURE LOOP (16) onto the THREADED ROD (18) till tight. Slide the GLASS SHADE (20) over the SOCKET (19), secure with the SOCKET RING (21).
6. Screw light bulbs into the lamp sockets and make sure they do not exceed the maximum wattage specified on the fixture's wattage rating label, **MAXIMUM 100W**.

INSTALLATION IS NOW COMPLETE

BARRETT PLACE



2-LIGHT ISLAND

- | | | |
|-----------------------------|------------------------|------------------|
| 1. OUTLET BOX | 9. BLACK SUPPLY WIRE | 17. COVER |
| 2. MOUNTING BRACKET | 10. BLACK FIXTURE WIRE | 18. THREADED ROD |
| 3. #8-32 IPS MOUNTING SCREW | 11. WHITE SUPPLY WIRE | 19. SOCKET |
| 4. 1/8 IPS HEX NUT | 12. WHITE FIXTURE WIRE | 20. GLASS SHADE |
| 5. THREADED ROD | 13. CANOPY | 21. SOCKET RING |
| 6. SUPPLY GROUND WIRE | 14. GROUND SCREW | |
| 7. FIXTURE GROUND WIRE | 15. DECORATIVE NUT | |
| 8. WIRE CONNECTION | 16. FIXTURE LOOP | |

Customer Service: 1 (800) 486-4892

Craftmade Lighting Limited Warranty

Craftmade warrants all its Products to be free from defects in material and workmanship, subject to certain conditions and exclusions, for period of one year from the date the Product was shipped to the original end use purchaser. Craftmade will warranty its product only if it is sold through an authorized Craftmade dealer. Craftmade will, at its discretion, repair, replace or make appropriate adjustment where inspection discloses any defects occurring in normal usage within the applicable time period above, subject to the following conditions and exclusions.

The following costs, expenses and damages are not covered by the provisions of this limited warranty: (1.) labor costs including, but not limited to, costs associated with the removal and reinstallation of Product; (2.) shipping and freight expenses required to return Product to Craftmade.

All warranties only apply to the original end use purchaser and original installation of Products. **This warranty is not transferable.** The provisions of this warranty to not apply to products that are used in commercial applications; used for purposes for which they are not designed or intended; which have been subjected to alteration, accidental damage, abuse, misuse, negligence or accident; which have been improperly stored, installed, maintained or operated; which have been used in violation of written instructions provided by Craftmade; which have been subjected to improper temperature, humidity or other environmental conditions; or which, based on examination by Craftmade, do not disclose to the satisfaction of Craftmade non-conformance to the warranty. Additionally, this warranty DOES NOT COVER scratches, abrasions, or deterioration due to the use of paints, solvents, chemicals or abrasive cleaning techniques.

The above warranties also do not apply if:

- The original bill of sale, delivery date, or product number cannot be verified.
- The parts claimed to be defective are not returned for inspection if so requested by Craftmade.
- The product is not in the possession of the original end use purchaser at the time warranty claim is made.

To obtain Warranty Service, please contact Craftmade through your Lighting Dealer, Lighting Contractor, or by writing Craftmade, Attn: Customer Service Department, 650 South Royal Lane, Coppell, TX 75019, or by calling 800.486.4892.

Warranty Exclusions:

- Craftmade uses the best weather resistant finishes, nevertheless finishes for fixtures installed outdoors are subject to change due to prolonged exposure to sunlight, pollutants and other environmental conditions. Any claim for fading, discoloration or "patina" of a finish on an outdoor fixture is not applicable to the above warranty. See the "Finish Care & Cleaning" instructions below for proper care and maintenance of your fixture.
- The environment within ten miles of a sea coast can be extremely corrosive. Even with the appropriate maintenance, products installed in this environment will typically deteriorate more than products installed in a less severe environment. Some corrosion and/or deterioration is considered "normal wear" in this environment. Any claim for finish failures or for corrosion of other components due to coastal environment conditions is not applicable to the above warranty.
- We cannot warranty our Direct Burial Poles due to environmental issues such as moisture, soil acidity and other corrosive soil and air conditions.

Craftmade strives to assure that glass and metal finishes shown in our catalogs match the actual product, but chemical finish variations and hand applied finishes can result in differences between the actual product and printed images.

Craftmade does not authorize any person to create for it any obligation or liability in connection with its Products. The maximum liability is limited to the original purchase price of the product. No action arising out of any claimed breach of this warranty by Craftmade may be brought by the Original User more than one (1) year after the cause of action has arisen.

IMPLIED WARRANTIES INCLUDING THAT OF MERCHANTABILITY AND FITNESS FOR A PARTICULAR PURPOSE ARE EXPRESSLY LIMITED TO THE DURATION OF THIS WARRANTY. CRAFTMADE AND/OR SELLER DISCLAIMS ANY LIABILITY FOR SPECIAL, INCIDENTAL OR CONSEQUENTIAL DAMAGES.

This warranty gives you specific legal rights, and you may also have other rights which vary from state to state. Some states do not allow limitations on incidental or consequential damages or how long an implied warranty lasts, so that the above limitations may not fully apply to you. Refer to your local laws for your specific rights under this warranty.

CARE & CLEANING: Initial care for finishes requires periodic cleaning with a soft cloth, dampened with water. A mild non-abrasive soap may be used along with a soft cloth and water if the fixture is very dirty. Particular care should be taken to avoid abrasive materials and strong cleaning agents as they will quickly destroy the protective coatings and subject the finish to oxidation and discoloration.