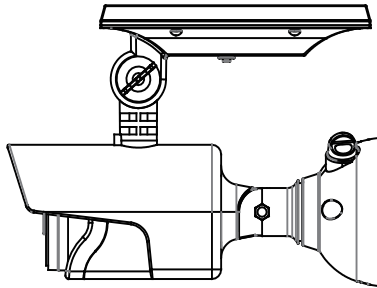


VOLT®



INSTALLATION INSTRUCTIONS

VOLT® LOW VOLTAGE LANDSCAPE LIGHTING

ITEM: LSAL-1100-PBK

1-813-978-3700 • Mon-Fri 8am-8pm • Sat-Sun 10am - 6pm (EST)

**IMPORTANT: PLEASE READ BEFORE INSTALLATION**

This luminaire is intended for installation in accordance with local codes and the National Electric Code (NEC). Failure to adhere to these codes and instructions may result in serious injury, property damage and void the warranty.

These instructions do not intend to cover all variations in installation, operation maintenance or mounting situations.

Please note that these solar fixtures are equipped with built-in photo-cells, so they will not turn on until it is dark enough. These fixtures will also require plenty of sunlight to function properly. It's best to have the fixture in an area where the sun will get to it at all times throughout the day and where no ambient lighting will affect the photocell at night. If your fixture is not functioning at night, be sure that the on/off button has been engaged. See step one for details.

PACKAGE CONTENTS

A. (1) Fixture Body

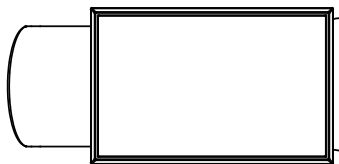
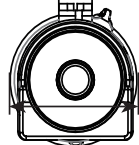
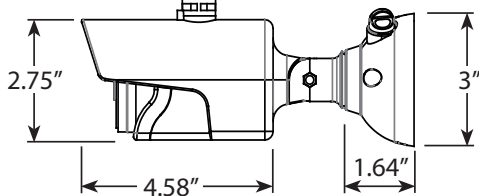
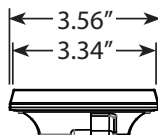
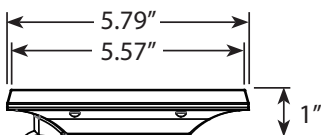
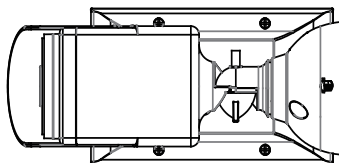
B. (1) Stake

C. (1) Strap

D. (3) Screws

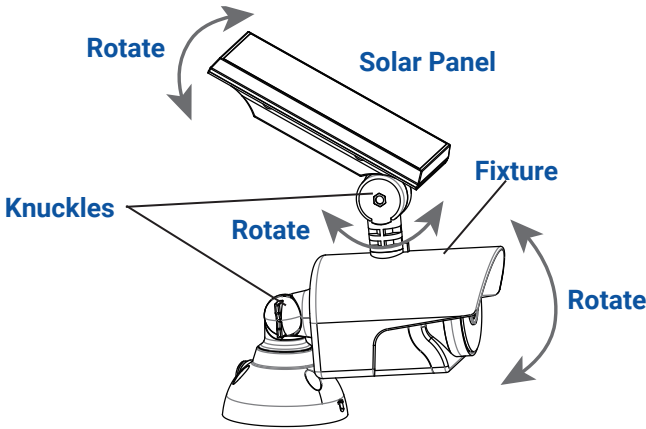
E. (3) Anchors

PRODUCT DIMENSIONS



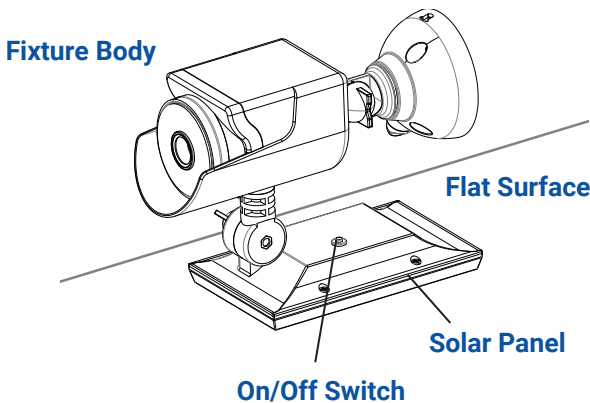
Tests Before Installation

1 Test Knuckles



Rotate the fixture and the solar panel to test the knuckles function. The fixture and solar panel can be rotated to various positions and locked into place.

2 Test Fixture

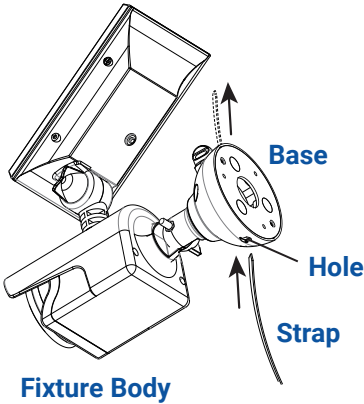


Place the solar panel of the fixture onto a flat surface. Press the ON/OFF switch on the solar panel to test the fixture. The fixture will turn on while the switch is on.

This fixture has four installation methods, please refer to relative installation instructions.

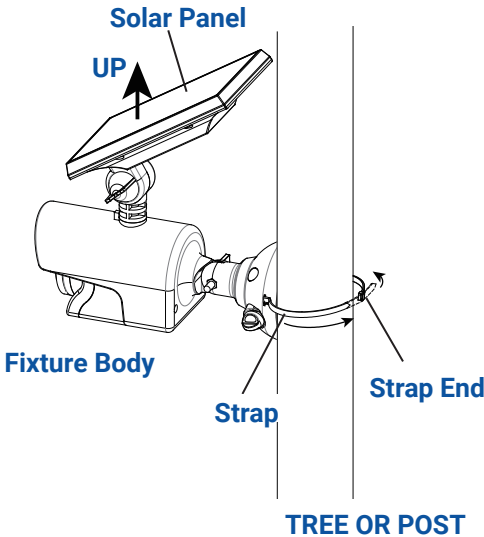
METHOD 1: STRAP MOUNT

1 Insert Strap



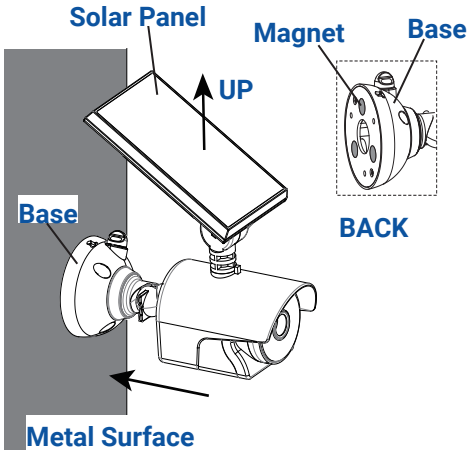
Pass the strap through the holes on the side of the base.

2 Tie the Strap



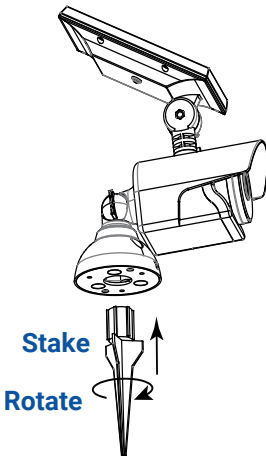
Install the fixture with the solar panel facing upwards. Wrap the strap around the desired tree or post. Insert the pointed end of the strap into the opposite end of the strap and pull it through to tighten the fixture onto the tree or post.

Then go to the final adjustment step.

METHOD 2: MAGNET**1 Attach to Metal Using Magnets**

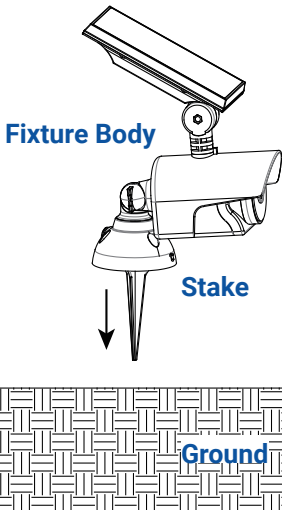
Install the fixture with the solar panel facing upwards. Use the magnets on the base to attach the fixture onto a metal surface.

Then go to the final adjustment step.

METHOD 3: STAKE MOUNT**1 Install stake to Base**

Thread the stake into the center of the base until it is secure.

2 Insert Stake to Ground

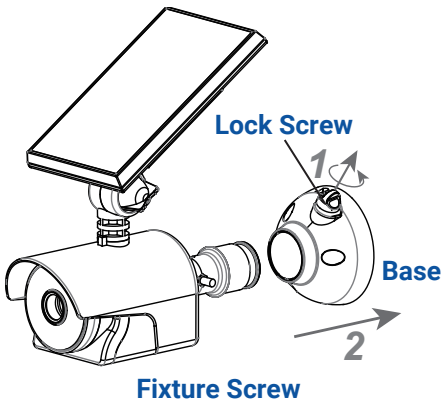


Insert the stake into the ground.

Then go to the final adjustment step.

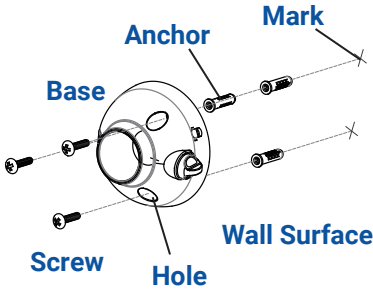
METHOD 4: SCREW MOUNT

1 Remove Base



Twist the lock screw on the base and remove the base from the fixture body.

2 Install Base

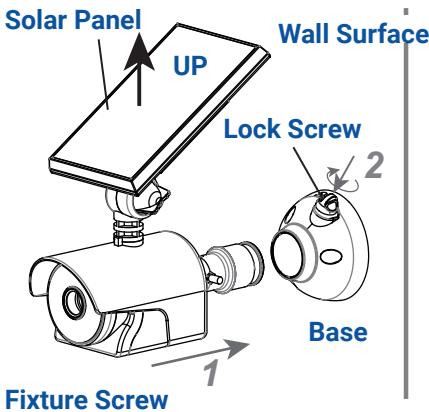


Place the base onto the wall surface and mark points on the wall surface using the holes on the base as a guide.

Drill the proper holes on the marks for the anchors. Then insert the anchors into the drilled holes.

Attach the base onto the wall surface and secure by threading the screws into anchors and tightening with a screwdriver.

3 INSTALL FIXTURE BODY

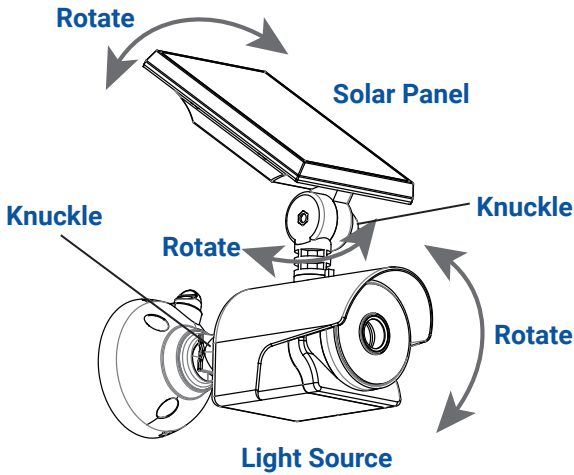


Install the fixture body with the solar panel facing upward.

Insert the fixture body back onto the base and secure by tightening the lock screw.

Then go to the final adjustment step.

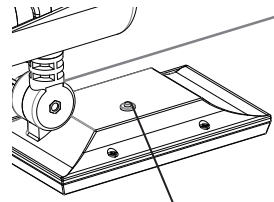
FINAL ADJUSTMENT



Rotate the light source to your desired direction and then adjust the solar panel to make sure it can get plenty of sunlight. Then make sure the knuckles are tightened to secure the fixture and panel placement.

FINAL ADJUSTMENT

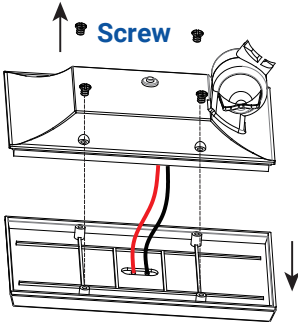
1. Default: OFF mode
2. Press switch 1 time: Off/ Full Brightness mode
 - Function will turn on at dusk and off at dawn.
 - At dusk function will be on but light will be off.
 - When motion sensor is activated (detects movement up to 25 feet) light turns on full brightness for 20 seconds.
 - After 20 seconds the light returns to off.
3. Press 2 times: Dim/Full Brightness mode
 - Function will turn on at dusk and off at dawn.
 - At dusk light will turn on dim.
 - When motion sensor is activated (detects movement up to 25 feet) light turns on full brightness for 20 seconds.
 - After 20 seconds the light returns to dim.
4. Press switch 3 times: Back to default OFF mode



On/Off Switch

Replace Battery

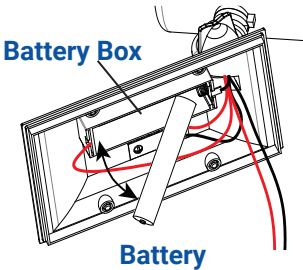
1 Remove Solar Panel Cover



Solar Panel Cover

Using a screwdriver, remove the solar panel cover.

2 Replace Battery

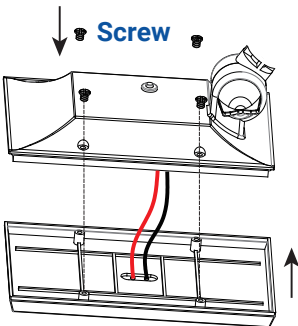


Battery Box

Battery

Carefully remove the battery from the battery box by pressing it. Replace it with a new one.

3 Reinstall Solar Panel Cover



Solar Panel Cover

Place the solar panel cover back onto the panel and secure with previously removed screws.



1-813-978-3700 • Mon-Fri 8am-8pm • Sat-Sun 10am - 6pm (EST)

Specifications and product details subject to change without notice.
© Copyright 2023, VOLT® Lighting, Lutz FL USA 33549 • All rights reserved.
customersupport@voltlighting.com • www.voltlighting.com