

DESCRIPTION

- Fixed mount showerhead
- Various finishes identified by suffix
- 1/2" IPS connection
- Immersion™ Self-Pressurizing rainshower technology channel water for more spray power

OPERATION

- Single function

FLOW

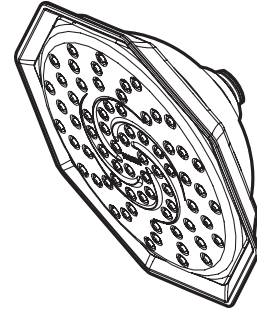
- Designed to deliver 2.5 gpm (9.5 L/min) MAX at 80 psi
- Designed to deliver 1.75 gpm (6.6 L/min) MAX at 80 psi
(for models manufactured after 3/1/18)
- Designed to deliver 2.0 gpm (7.6 L/min) MAX at 80 psi
(for models manufactured before 3/1/18)

STANDARDS

- Third party certified to ASME A112.18.1/CSA B125.1 and all the applicable requirements referenced therein
- Products marked with 1.75 gpm are compliant with California water efficiency regulations

WARRANTY

- Lifetime limited warranty against leaks, drips and finish defects to the original homeowner
 - 10 year limited warranty when used in a multifamily installation
 - 5 year limited warranty when used in a commercial installation
- Visit www.moen.com/support for complete details and limitations

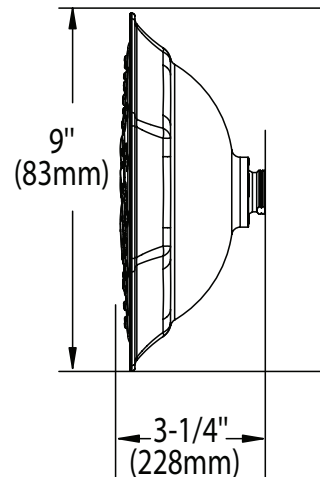
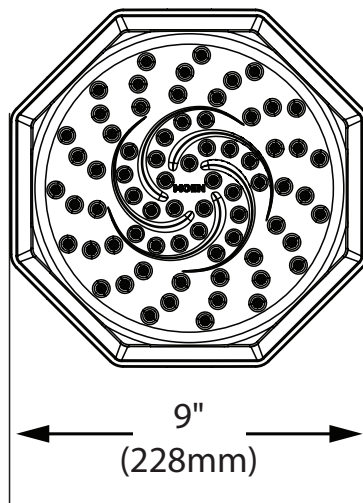


Inspire™
1-Function Rainshower

Model: 21999



EP Suffix Models Only



CRITICAL DIMENSIONS

(DO NOT SCALE)