



### Features

- Bask® heated surface creates spa-like relaxation with soothing warmth on your back and neck.
- Customize the heat with three adjustable settings.
- Molded lumbar support offers extra comfort while bathing.
- Slotted overflow allows for deep soaking.
- End drain.
- Under-mountable

### Material

- Acrylic

### Installation

- Drop-in or under-mount.
- Requires 110V electrical service.
- Under-mount installation requires kit K-534 (sold separately).

### Additional Hydrotherapy Options

- Soaking Bath - 1848-0
- Soaking Bath + Bask heated surface - 1848-W1
- BubbleMassage air bath - 1849-G
- BubbleMassage air bath + chromatherapy - 1849-GCR
- BubbleMassage air bath + Bask heated surface + chromatherapy - 1849-GCW
- VibrAcoustic + BubbleMassage air bath - 1849-GVB
- VibrAcoustic + BubbleMassage air bath + Bask heated surface + chromatherapy - 1849-GVBCW
- BubbleMassage air bath + Bask heated surface - 1849-GW
- Whirlpool + heater - 1849-H2
- VibrAcoustic - 1849-VB
- VibrAcoustic + chromatherapy - 1849-VBC
- VibrAcoustic + chromatherapy + Bask heated surface - 1849-VBCW
- VibrAcoustic + Bask heated surface - 1849-VBW
- Whirlpool + BubbleMassage air bath - 1849-XH2G

### Required Products/Accessories

K-7271 Brass Slotted Overflow Bath Drain

or

K-7272 PVC Slotted Overflow Bath Drain

### Recommended Products/Accessories

K-1491 Bath/Whirlpool Pillow  
 K-1601 Bath/Whirlpool Footstop  
 K-534 Under-Mount Installation Kit  
 K-24916 Wireless Music Kit  
 K-1177 Vinyl Tiling-in Bead



### Codes/Standards

ASME A112.19.7/CSA B45.10  
 CSA B45.5/IAPMO Z124  
 ASTM E162  
 UL 1795  
 Greenguard UL 2818 - Gold

### KOHLER® Plastic Baths and Receptors Lifetime Limited Warranty

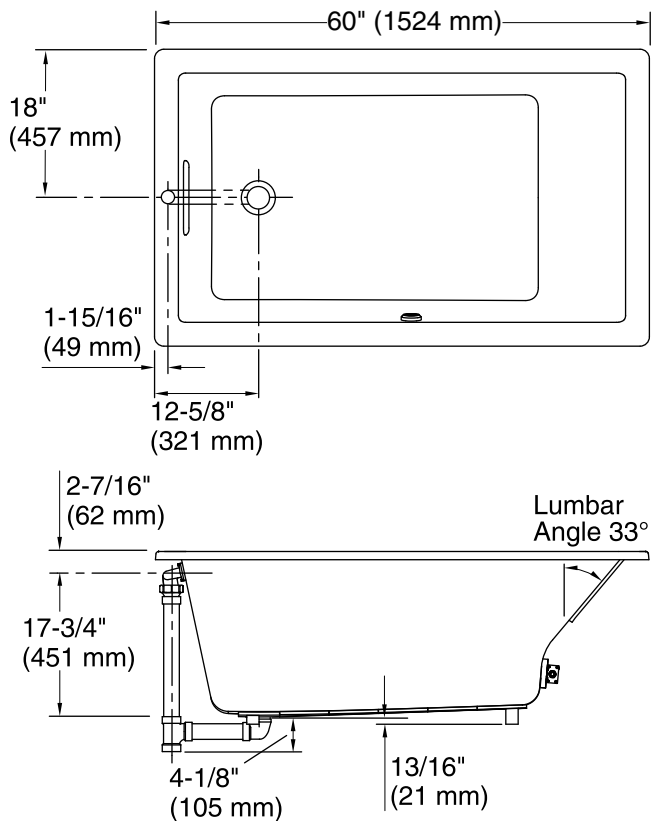
### KOHLER® Hydrotherapy Components Five-Year Limited Warranty

See website for detailed warranty information.

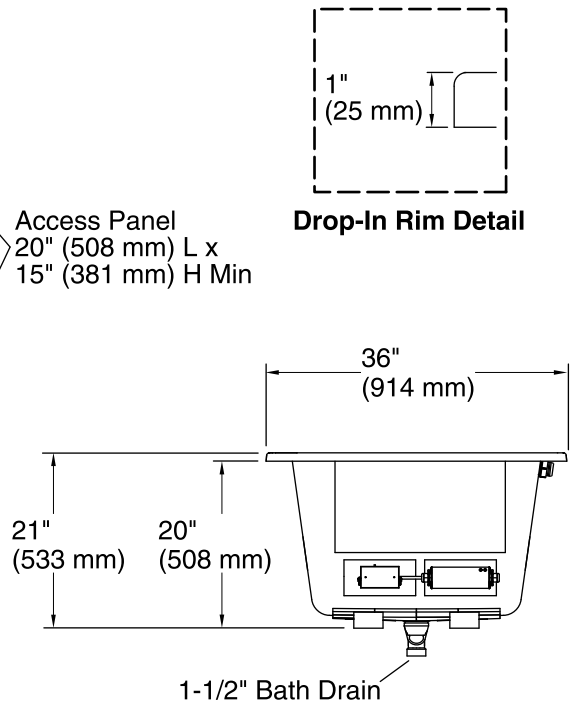
### Available Colors/Finishes

*Color tiles intended for reference only.*

Color	Code	Description
	0	White
	96	Biscuit
	47	Almond
	NY	Dune
	95	Ice™ Grey
	G9	Sandbar
	K4	Cashmere
	58	Thunder™ Grey
	7	Black Black™



No change in measurement if connected with drain illustrated. (K-7272)



### Required Electrical Service

One circuit required, protected with Class A Ground-Fault Circuit-Interrupter (GFCI) or Residual Current Device (RCD).

Heated Surface: 120 V, 15 A, 60 Hz

### Technical Information

All product dimensions are nominal.

Installation:	Drop-in, Under-mount
Drain location:	End
Basin area, bottom:	39-9/16" x 24-11/16" (1005 mm x 627 mm)
Basin area, top:	53-5/8" x 29-1/2" (1362 mm x 749 mm)
Weight:	81 lbs (36.7 kg)
Minimum floor load:	52 lbs/ft <sup>2</sup> (253.9 kg/m <sup>2</sup> )
Water depth:	17-1/8" (435 mm)
Water capacity:	81.1 gal (307 L)
Cutout:	Drop-in, 59-1/2" x 35-1/2" (1511 mm x 902 mm)
Electrical component rating:	Heated Surface: 120 V, 0.5 A, 60 Hz, 65 W
Minimum flat for door:	2-11/16" (68 mm)

### Notes

Measure your actual product for rough-in details. Install this product according to the installation instructions.

The hot water supply should be 70% of the capacity of the bath or greater. Installations will vary.

Kit is required for under-mount installations (sold separately).