



Cimarron® Comfort Height®

two-piece elongated 1.6 gpf toilet
K-3589-RA

Features

- Two-piece toilet.
- Elongated bowl offers added room and comfort.
- Comfort Height® feature offers chair-height seating that makes sitting down and standing up easier for most adults.
- 1.6 gallons per flush (gpf).
- Right-hand Polished Chrome trip lever included.
- Combination consists of the K-4309 bowl and the K-4418-RA tank.
- Coordinates with other products in the Cimarron collection.

Technology

- Single-flush gravity uses the force of gravity and a precision-engineered tank, bowl, and trapway to create a strong siphon during flushing.
- AquaPiston canister allows water to flow into the bowl from all sides (360 degrees), increasing the power and effectiveness of the flush.
- Flush valve's 3:2 ratio harnesses the natural force of gravity and optimizes flush performance.
- Durable canister design has 90% less exposed seal material than a 3-inch flapper, for leak-free performance.
- Light-touch canister flush requires a lower actuation force than a flapper.
- AquaPiston canister flush valve optimizes flush performance and resists warping and deterioration.

Installation

- Seat and supply line not included. Standard 12-inch rough-in.
- DryLock™ System saves installation time and helps prevent water leakage.

Recommended Products/Accessories

K-4636 Cachet® Quiet-Close™ Elongated Toilet Seat
 K-5588 Purefresh® Elongated Toilet Seat
 K-4108 C³®-230 elongated cleansing toilet seat
 K-5420 Low-Profile Bolt Caps
 K-9466-R Right-Hand Trip Lever
 K-9470-R Right-Hand Trip Lever
 1023457 Wax Ring/Hardware Kit
 1265114 Connector Hose

Included Components

Product consists of:

K-4309 Elongated Toilet Bowl
 K-4418 Toilet tank, 1.6 gpf

Additional Components:

Bolt cap accessory pack
 Tank accessory pack
 Tank cover
 Trip lever



ADA CSA B651 OBC

Codes/Standards



ASME A112.19.2/CSA B45.1
 ADA
 ICC/ANSI A117.1
 CSA B651
 OBC

KOHLER® One-Year Limited Warranty

See website for detailed warranty information.

Available Colors/Finishes

Color tiles intended for reference only.

| Color | Code | Description |
|--|------|-------------|
|  | 0 | White |
|  | 96 | Biscuit |

1-800-4KOHLER (1-800-456-4537)

Kohler Co. reserves the right to make revisions without notice to product specifications.

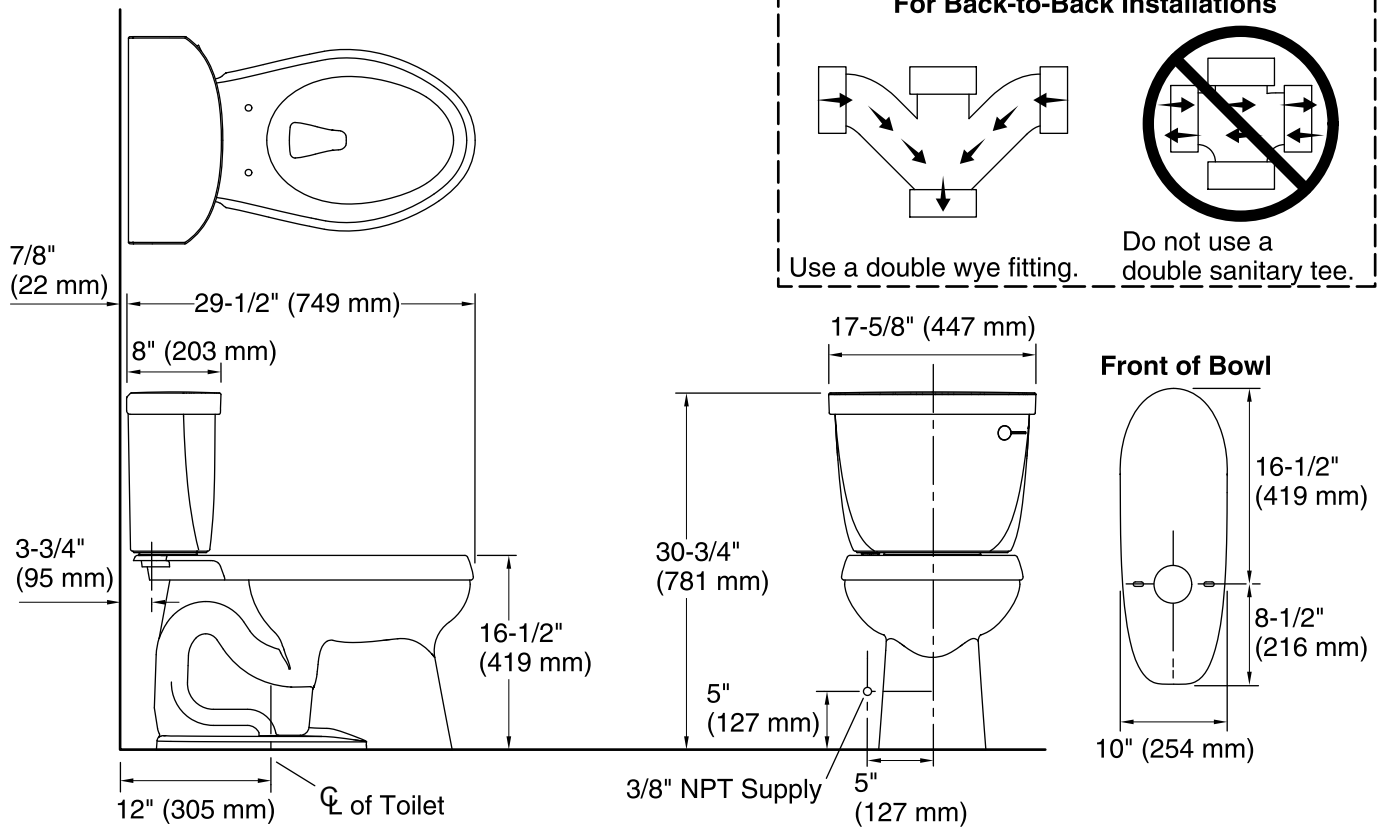
For the most current Specification Sheet, go to www.kohler.com.

10-5-2019 20:17 - US/CA

THE BOLD LOOK
OF **KOHLER**®



Cimarron® Comfort Height®
two-piece elongated 1.6 gpf toilet
K-3589-RA



Technical Information

All product dimensions are nominal.

- Toilet type: Two-piece, Floor-mount
- Waste Outlet: Floor
- Bowl shape: Elongated
- Flush type: AquaPiston®
- Trap passageway: 2-1/8" (54 mm)
- Water Consumption
 - Full: 1.6 gpf (6 lpf)
- Water surface size: 10-1/2" x 7-1/8" (267 mm x 181 mm)
- Rim to water surface: 6-1/8" (156 mm)
- Rough-in: 12" (305 mm)
- Seat-mounting holes: 5-1/2" (140 mm)

Notes

- Install this product according to the installation instructions.
- For back-to-back toilet installations: Use only a 45° double wye fitting.
- ADA, OBC, CSA B651 compliant when installed to the specific requirements of these regulations.
- Plumbing codes may require elongated toilets and elongated, open-front seats in public bathrooms.
- Accessibility standards may require controls to be located on the open side of the toilet.