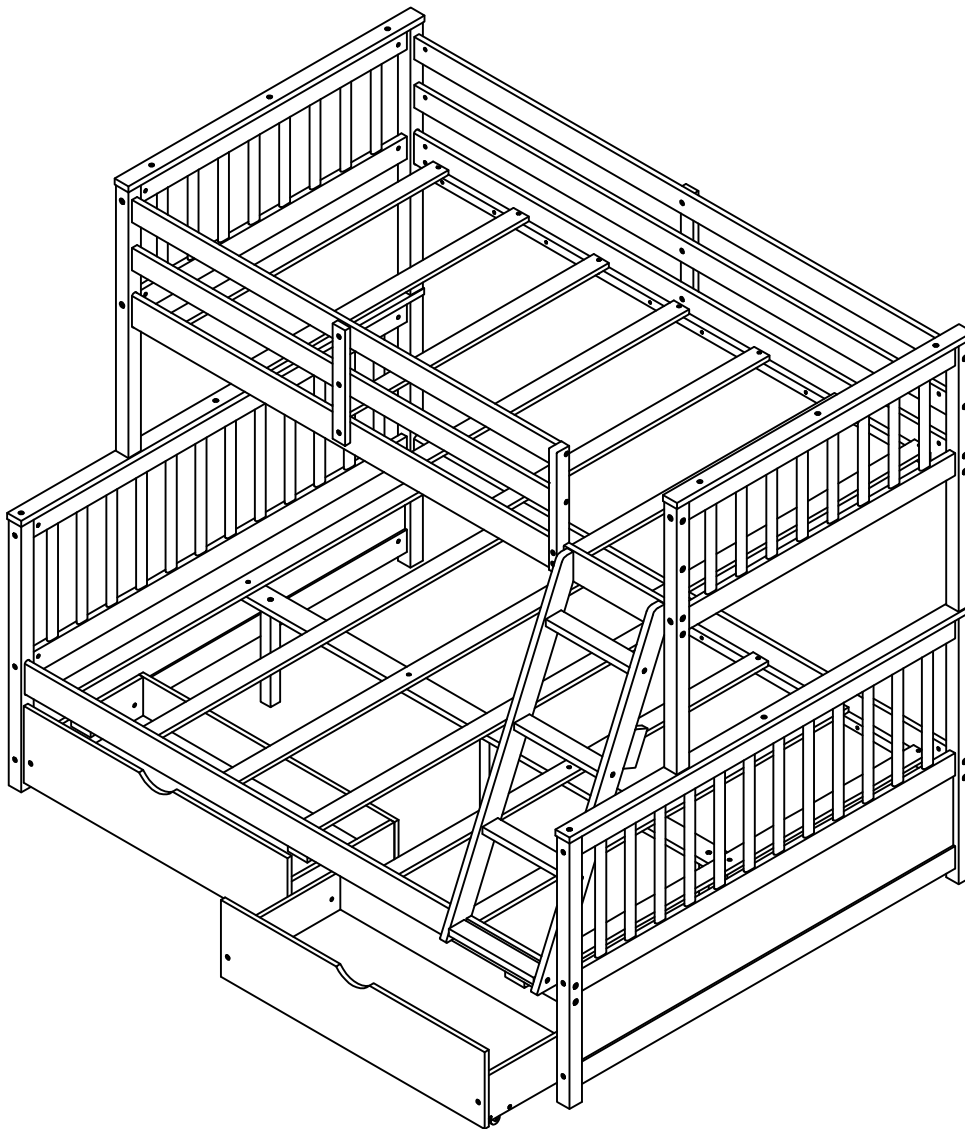


# ASSEMBLY INSTRUCTIONS

## TWIN/FULL BUNK BED WITH 2 DRAWERS



If you have any questions, please feel free to contact us.  
Email: [lowes.team@qualfurn.net](mailto:lowes.team@qualfurn.net)

**WF294958/WF294959**



# **SAFETY WARNING**



1. This bed is designed for use only mattress (es) meeting the following specifications on the upper bunk, and lower bunk:

## Upper bunk (Bunk bed and tribed included)

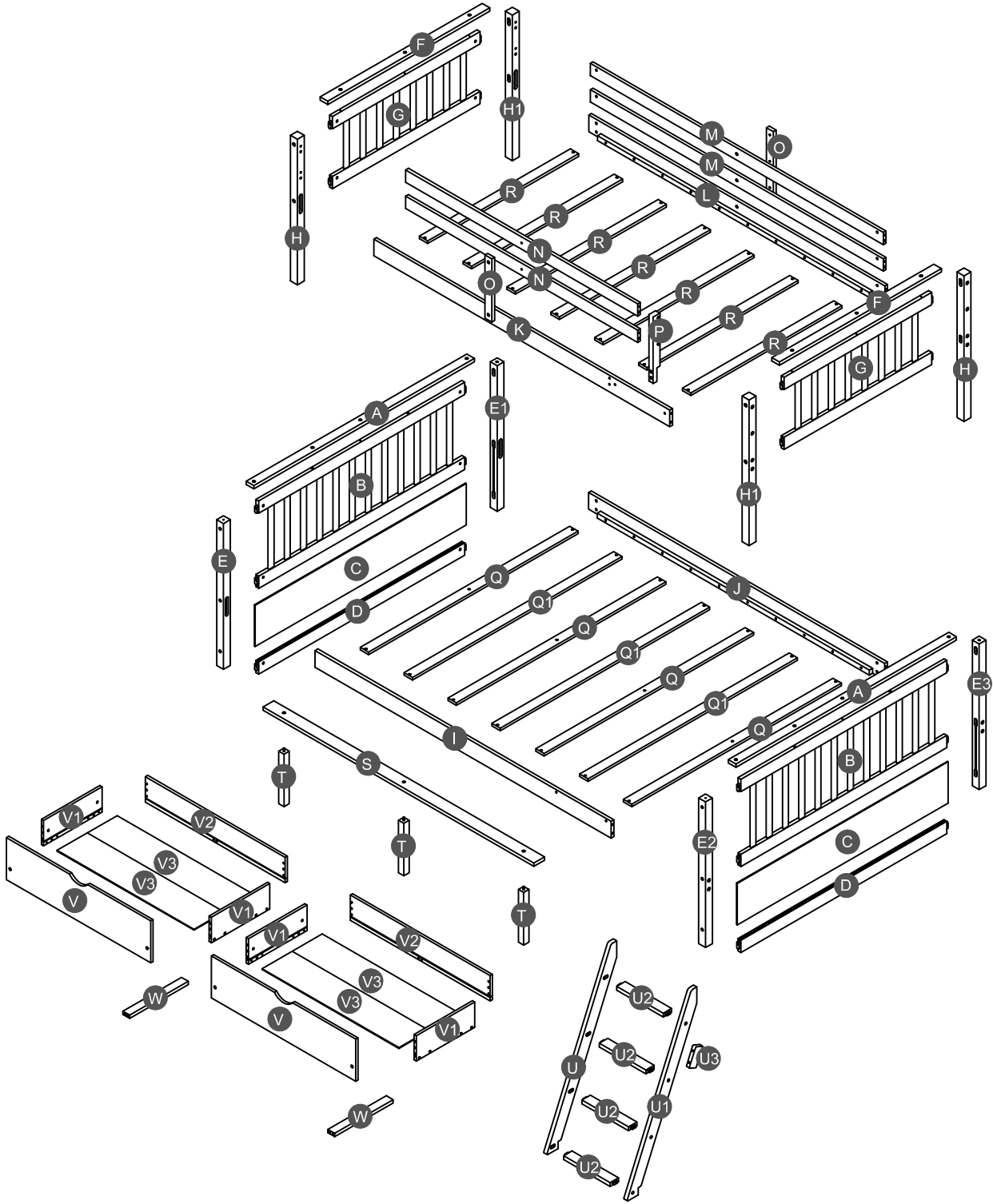
Bed type	Length	Width	Thickness
Twin Standard	74"-75"	38 1/2"	6" max

## Lower bunk

Bed type	Length	Width	Thickness
Full Standard	74"-75"	54"	8"

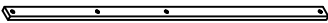
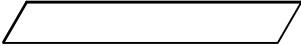
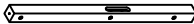
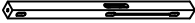
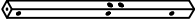
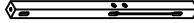




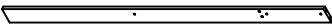









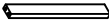
2. Replacement parts, including additional guardrails, maybe obtained from any of our (GIGACLOUD TECHNOLOGY (USA) INC . 18961 ARENTH AVENUE, CITY OF INDUSTRY , CA, 91748.) dealers
3. Follow the information on the warnings appearing on the upper bunk bed end structure and on the carton. Do not remove warning label from bed.
4. Always use the recommended size mattresses or mattress supports, or both, to help prevent the likelihood of entrapment or falls.
5. Surface of mattress must be at least 5" (127mm) below the upper edge of guardrails.
6. Do not allow children under 6 years of age to use the upper bunk.
7. Periodically check and ensure that the guardrail, ladder, and other components are in their proper position, free from damage, and that all connectors are tight.
8. Do not allow horseplay on or under the bed and prohibit jumping on the bed.
9. Always use the ladder for entering and leaving the upper bunk.
10. Do not use substitute part. Contact the manufacture or dealer for replacement part.
11. Use of a night light may provide added safety precaution for a child using the upper bunk.
12. Always use guardrails on both long sides of the upper bunk. If the bunk bed will be placed next to the wall, the guardrail that runs the full length of the bed should be placed against the wall to prevent entrapment between the bed and wall.
13. The use of water or sleep flotation mattresses is prohibited.
14. STRANGULATION HAZARD - Never attach or hang items to any part of the bunk bed that are not designed for use with the bed; for example, but not limited to, hook, belts and jump ropes.
15. Keep these instruction for future reference.
16. Prohibit more than one person on upper bunk
17. We recommend assembling your bunk bed on the shipping carton to protect your floor or carpet.
18. Be certain all staples are out of the box before beginning assembly on the shipping carton.

# Detail View



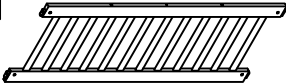

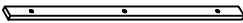
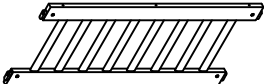


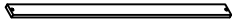
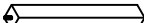
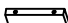
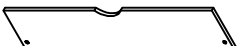
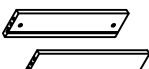

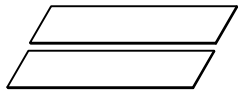
# Part List

**WF294958**

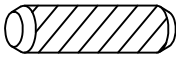
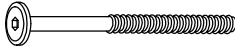
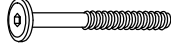
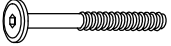





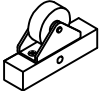

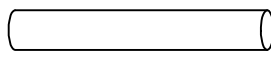
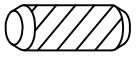
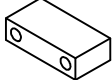

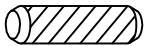
<p><b>A</b></p>  <p>Cap for lower HB &amp; FB - 2pcs</p>	<p><b>C</b></p>  <p>Side panel - 2pcs</p>	<p><b>E</b></p>  <p>Lower leg (Left Front) - 1pc</p>
<p><b>E1</b></p>  <p>Lower leg (Left Back) - 1pc</p>	<p><b>E2</b></p>  <p>Lower leg (Right Front) - 1pc</p>	<p><b>E3</b></p>  <p>Lower leg (Right Back) - 1pc</p>
<p><b>H</b></p>  <p>Upper leg (Left Front/Right Back) - 2pcs</p>	<p><b>H1</b></p>  <p>Upper leg (Left Back/Right Front) - 2pcs</p>	<p><b>I</b></p>  <p>Lower side rail (front) - 1pc</p>
<p><b>J</b></p>  <p>Lower side rail (back) - 1pc</p>	<p><b>K</b></p>  <p>Upper side rail (front) - 1pc</p>	<p><b>L</b></p>  <p>Upper side rail (back) - 1pc</p>
<p><b>M</b></p>  <p>Long guard rail - 2pcs</p>	<p><b>N</b></p>  <p>Short guard rail - 2pcs</p>	<p><b>Q</b></p>  <p>Lower slat - 4pcs</p>
<p><b>Q1</b></p>  <p>Lower slat - 3pcs</p>	<p><b>S</b></p>  <p>Lower support slat - 1pc</p>	<p><b>U</b></p>  <p>Left side ladder - 1pc</p>
<p><b>U1</b></p>  <p>Right side ladder - 1pc</p>	<p><b>U2</b></p>  <p>Step ladder - 4pcs</p>	<p><b>W</b></p>  <p>Support drawer - 2pcs</p>

# Part List

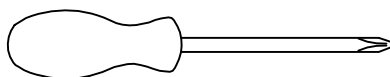
## Hardware List WF294959

<p><b>B</b></p>  <p>Lower frame HB/FB - 2pcs</p>	<p><b>D</b></p>  <p>Horizontal bar - 2pcs</p>	<p><b>F</b></p>  <p>Cap for upper HB/FB - 2pcs</p>
<p><b>G</b></p>  <p>Upper frame HB/FB - 2pcs</p>	<p><b>O</b></p>  <p>Vertical guard rail - 2pcs</p>	<p><b>P</b></p>  <p>Support guard rail - 1pc</p>
<p><b>R</b></p>  <p>Upper slat - 7pcs</p>	<p><b>T</b></p>  <p>Leg support - 3pcs</p>	<p><b>U3</b></p>  <p>Block-1pc</p>
<p><b>V</b></p>  <p>Front drawer panel - 2pcs</p>	<p><b>V1</b></p>  <p>Left / right drawer panel - 4pcs</p>	<p><b>V2</b></p>  <p>Back drawer panel - 2pcs</p>
<p><b>V3</b></p>  <p>Drawer bottom - 4pcs</p>		

# Hardware List WF294959

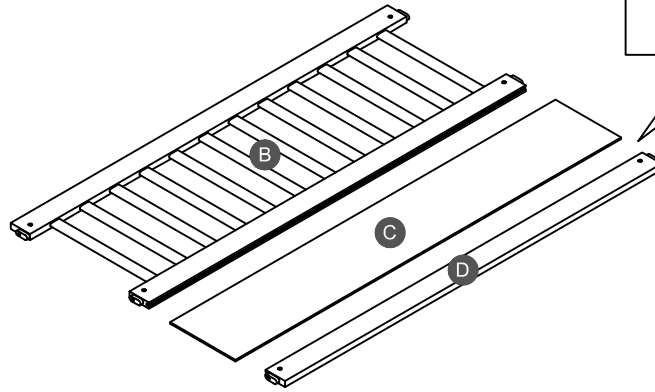
<b>1</b>  Ø10*40mm Wood dowel (8pcs)	<b>2</b>  (Ø15)1/4"*100mm Hex-Head bolts (22pcs)	<b>3</b>  (Ø15)1/4"*80mm Hex-Head bolts (22pcs)
<b>4</b>  (Ø12)1/4"*60mm Hex-Head bolts (18pcs)	<b>5</b>  (Ø12)1/4"*40mm Hex-Head bolts (4pcs)	<b>6</b>  (Ø12)1/4"*35mm Hex-Head bolts (2pcs)
<b>7</b>  (Ø12)1/4"*30mm Hex-Head bolts (6pcs)	<b>8</b>  1/4"*15 (9.5mm) Horizontal-Hole bolts(60pcs)	<b>9</b>  Ø4*30mm Wood screws (54pcs)
<b>10</b>  100*54*20 mm Wheels (8pcs)	<b>11</b>  (1/4")4.5*58mm Allen key (1pc)	<b>12</b>  Ø9*90mm Metal connector (4pcs)
<b>13</b>  Ø10*20mm Wood dowel (8pcs)	<b>14</b>  70*35*19 mm Drawer stopper (3pcs)	<b>15</b>  (Ø12)1/4"*40mm Hex-Head bolts (10pcs)
<b>16</b>  Ø8*30mm Wood dowel (24pcs)		

## ASSEMBLY TOOLS REQUIRED ( NOT INCLUDED )



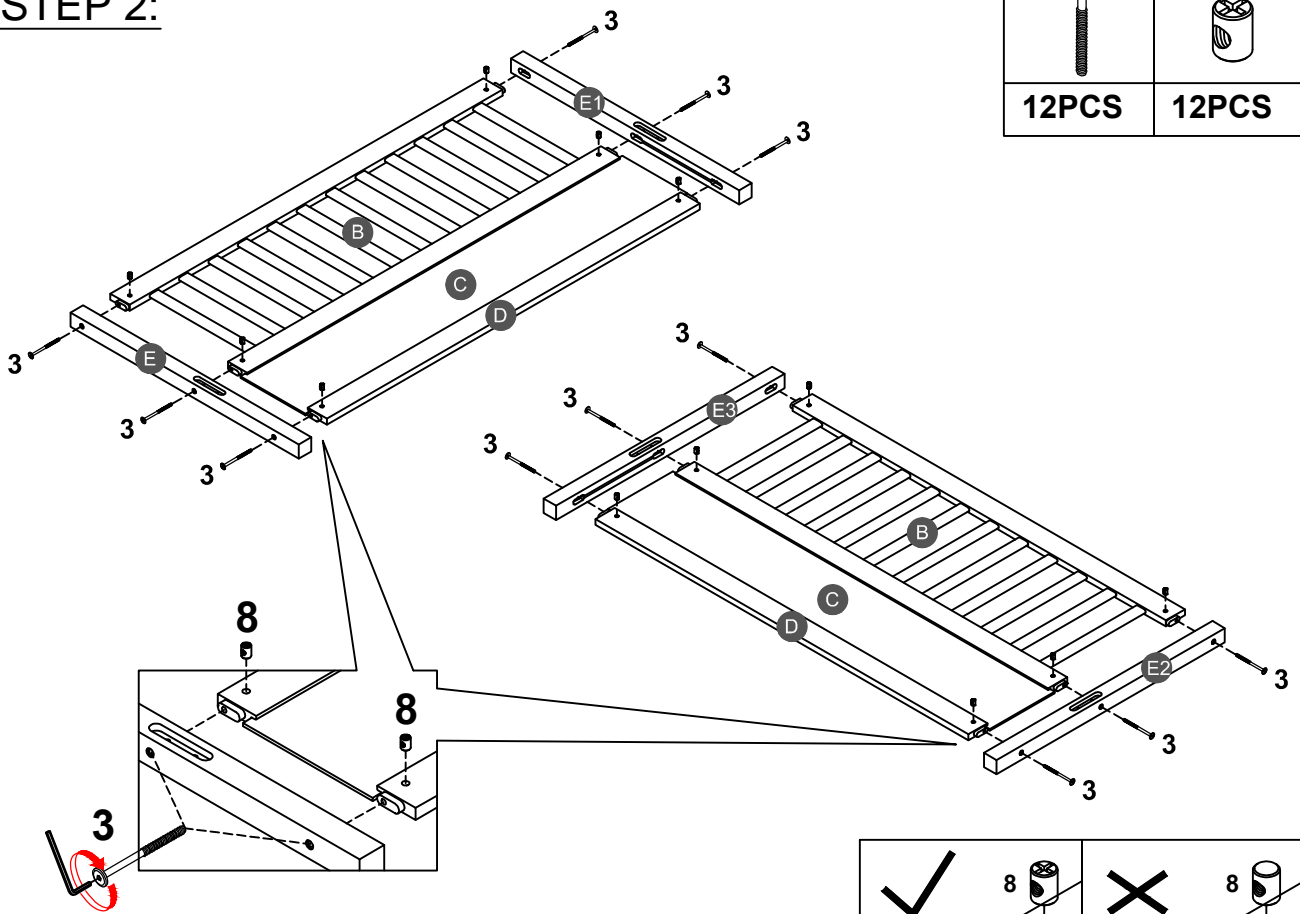
PLEASE BE CAREFUL DO NOT DAMAGE THE HOLE POSITION WHEN YOU USE POWER TOOLS !

**STEP 1:**

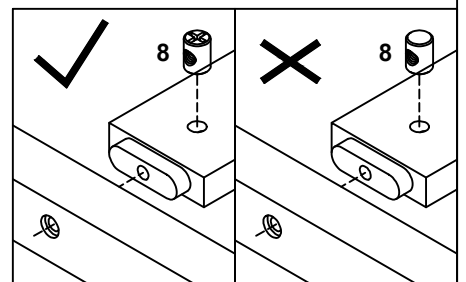


**2pcs**

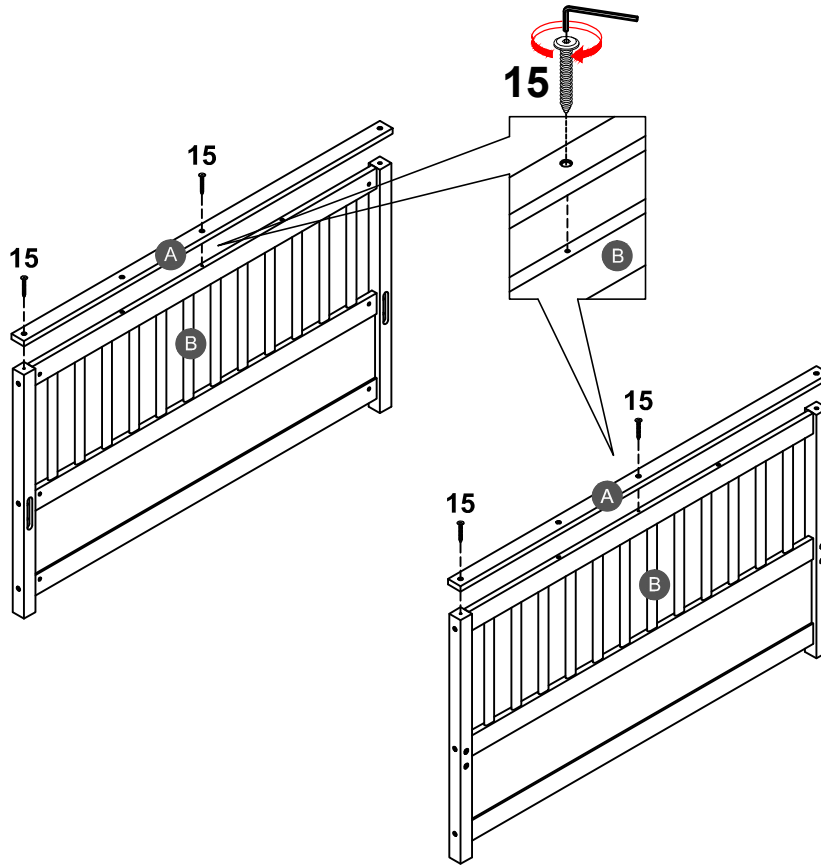
**STEP 2:**




Note: Part 8 will face up with the "x" mark on it, otherwise it cannot be tightened

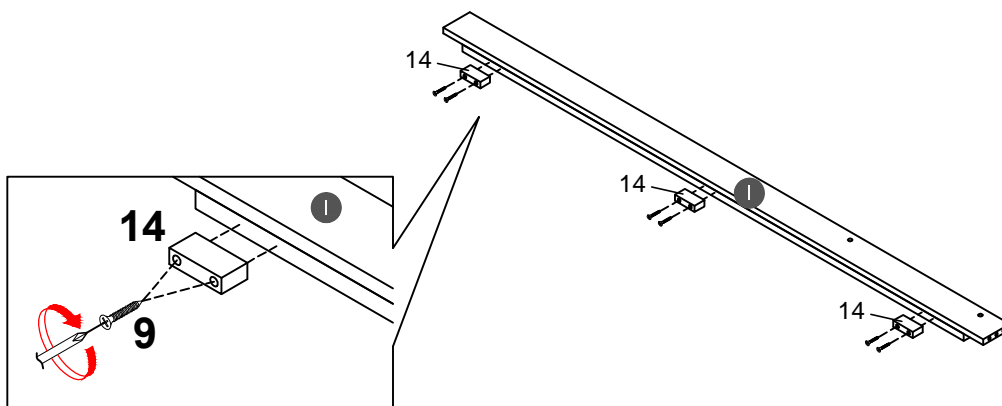



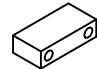
**STEP 3:**



<b>15</b>

<b>4PCS</b>

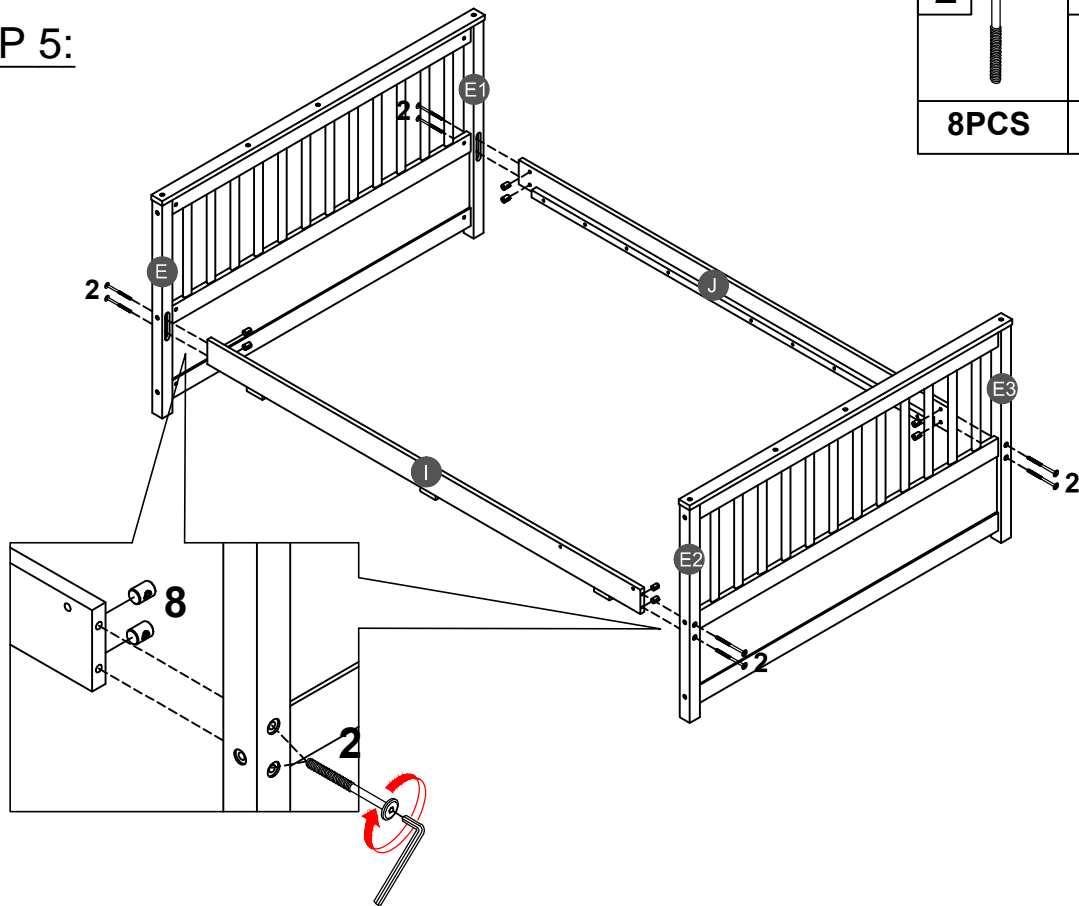
**STEP 4:**



<b>9</b>	<b>14</b>
	
<b>6PCS</b>	<b>3PCS</b>

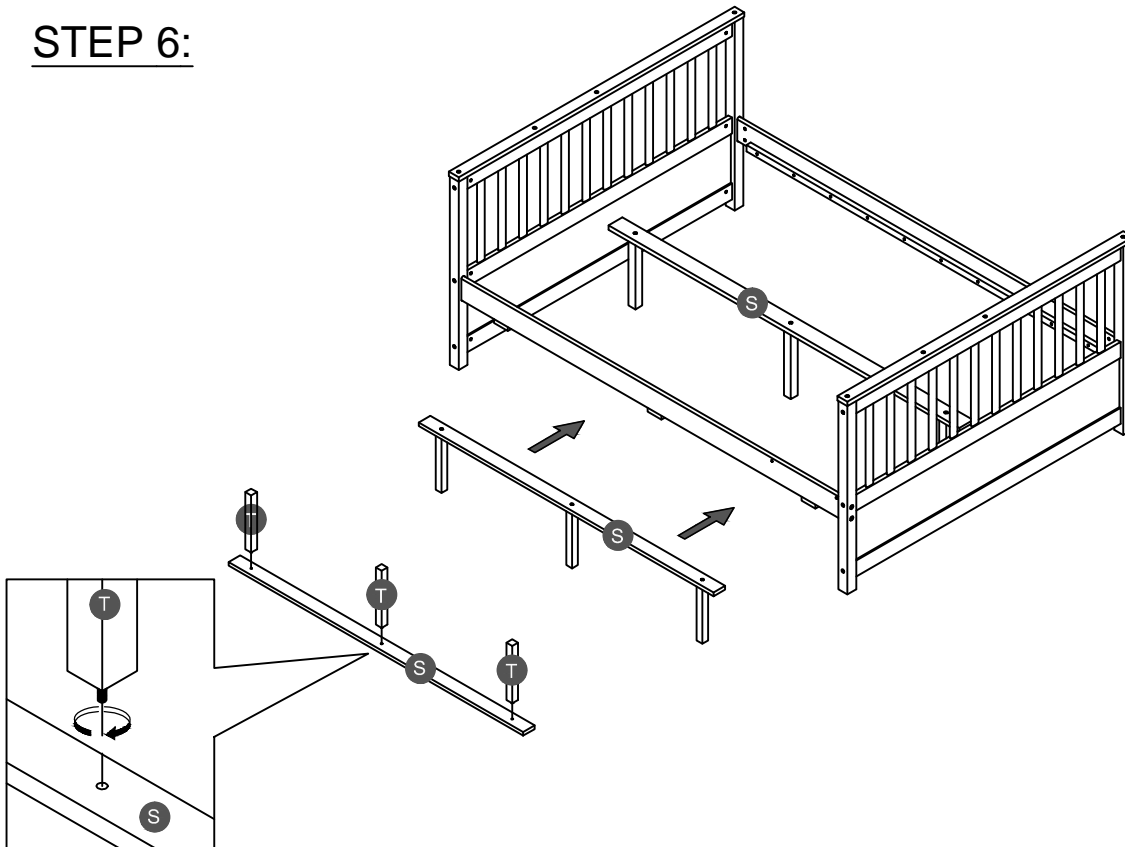
Drawer stopper (14) with lower side rail front (I) by using screw (9).

### STEP 5:



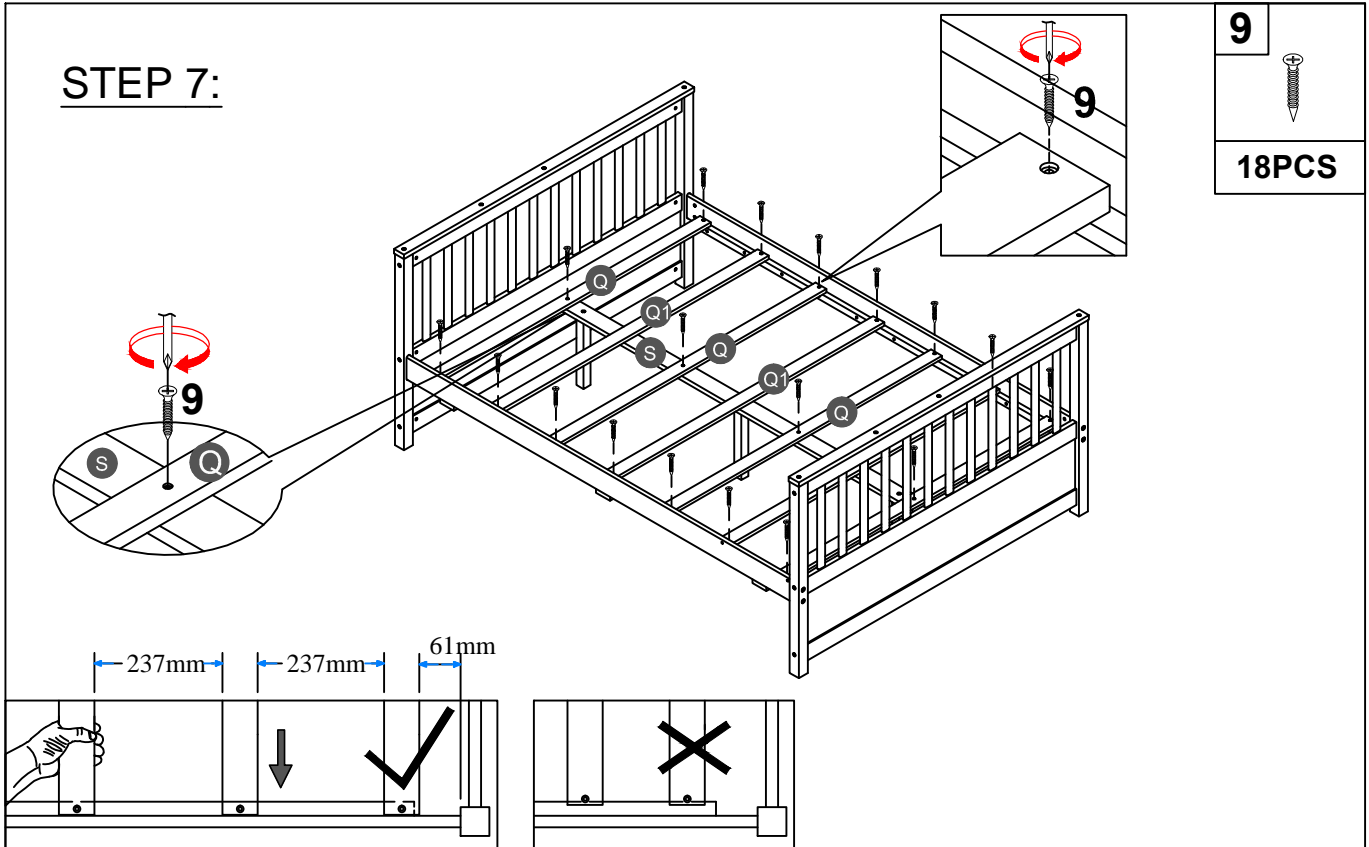
2		8	
8PCS		8PCS	

### STEP 6:



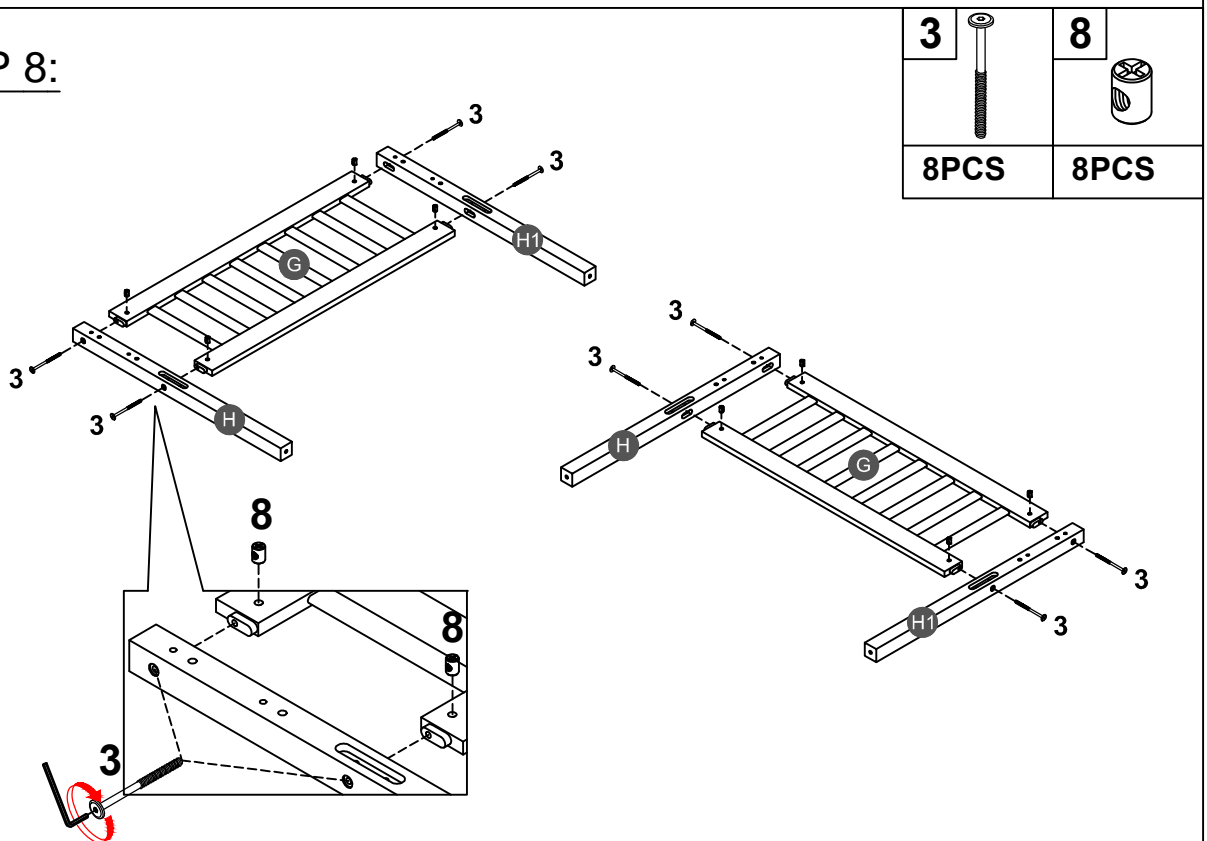
Assembling leg support (T) with lower support slat (S) later rotate, Move support slat inside Full bunkbed.

## STEP 7:

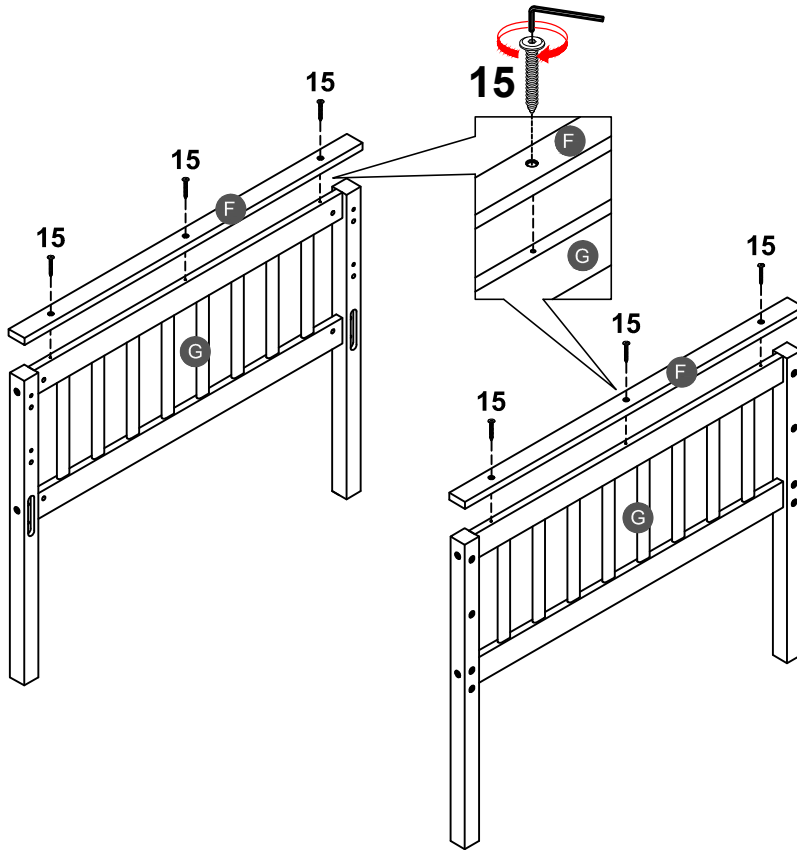



Note: Do not lock the screws of the bed slats to the outermost edge of the bed slats, you need to leave a certain space at the edges, otherwise it will cause the board to break. Do not lock the bed slats on the edge of the wood, please hold firmly before screwing, hold it in place with one hand, then lock the screw.

## STEP 8:

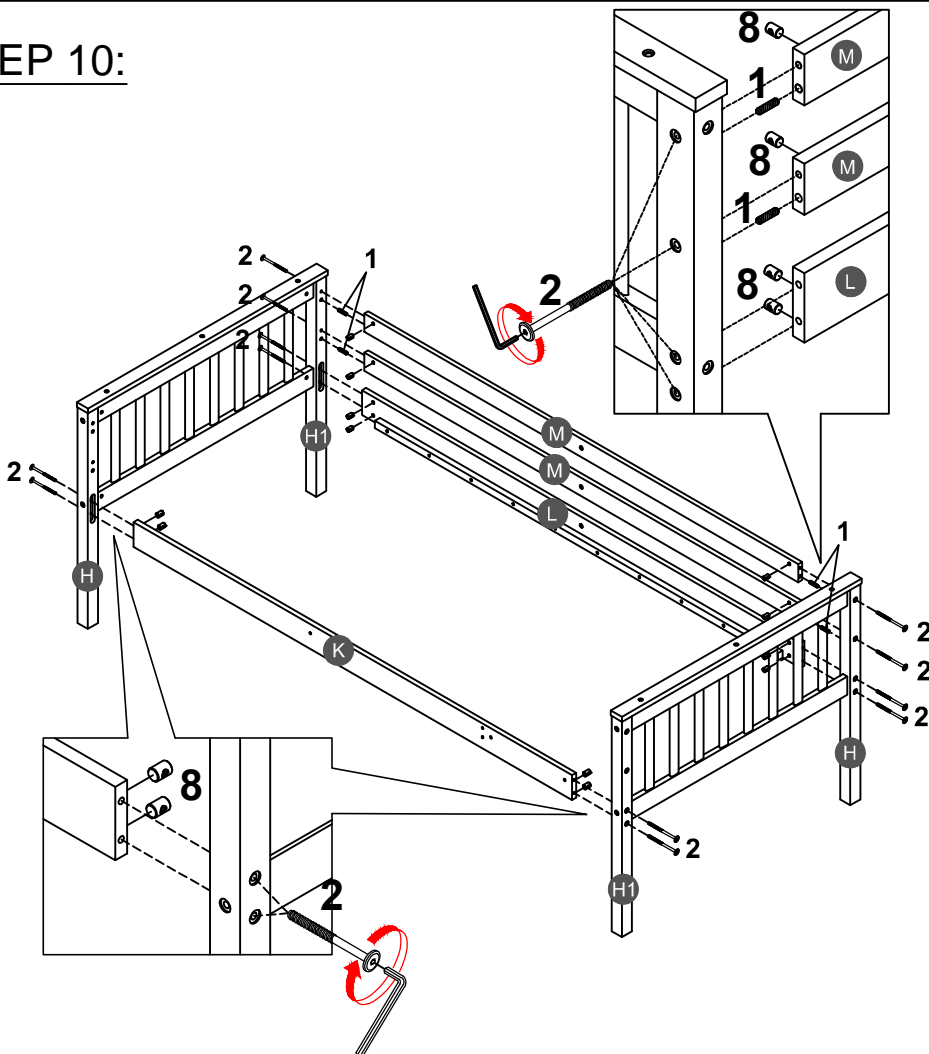





**STEP 9:**



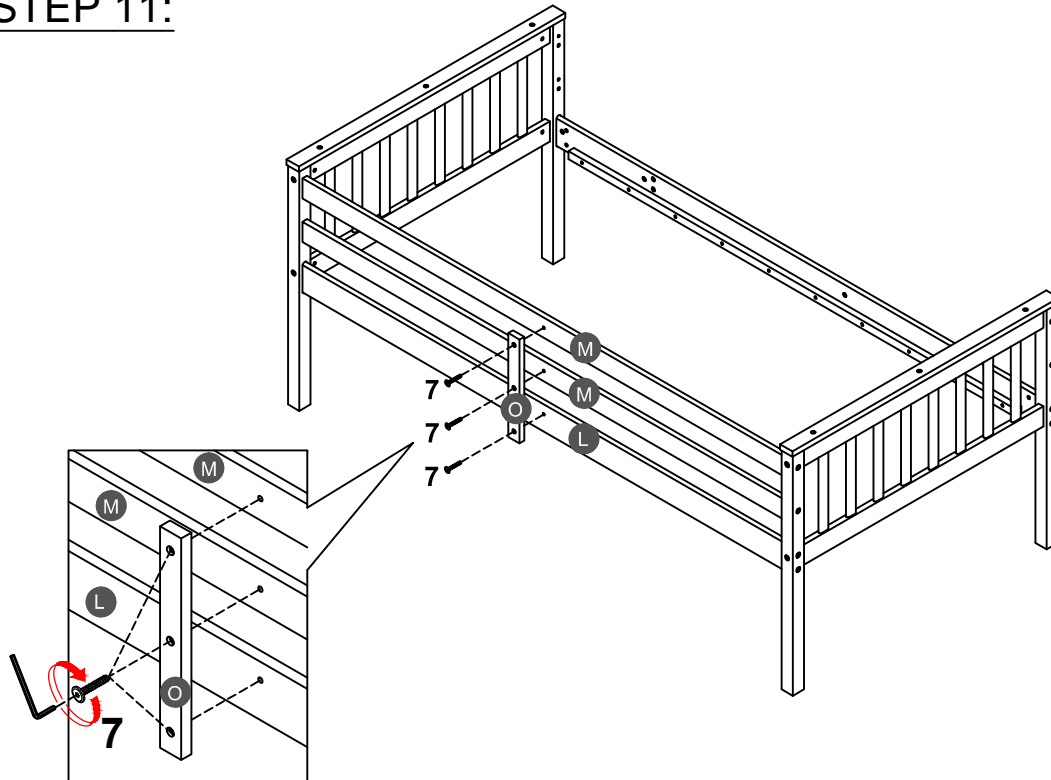
<b>15</b>	
<b>6PCS</b>	


**STEP 10:**



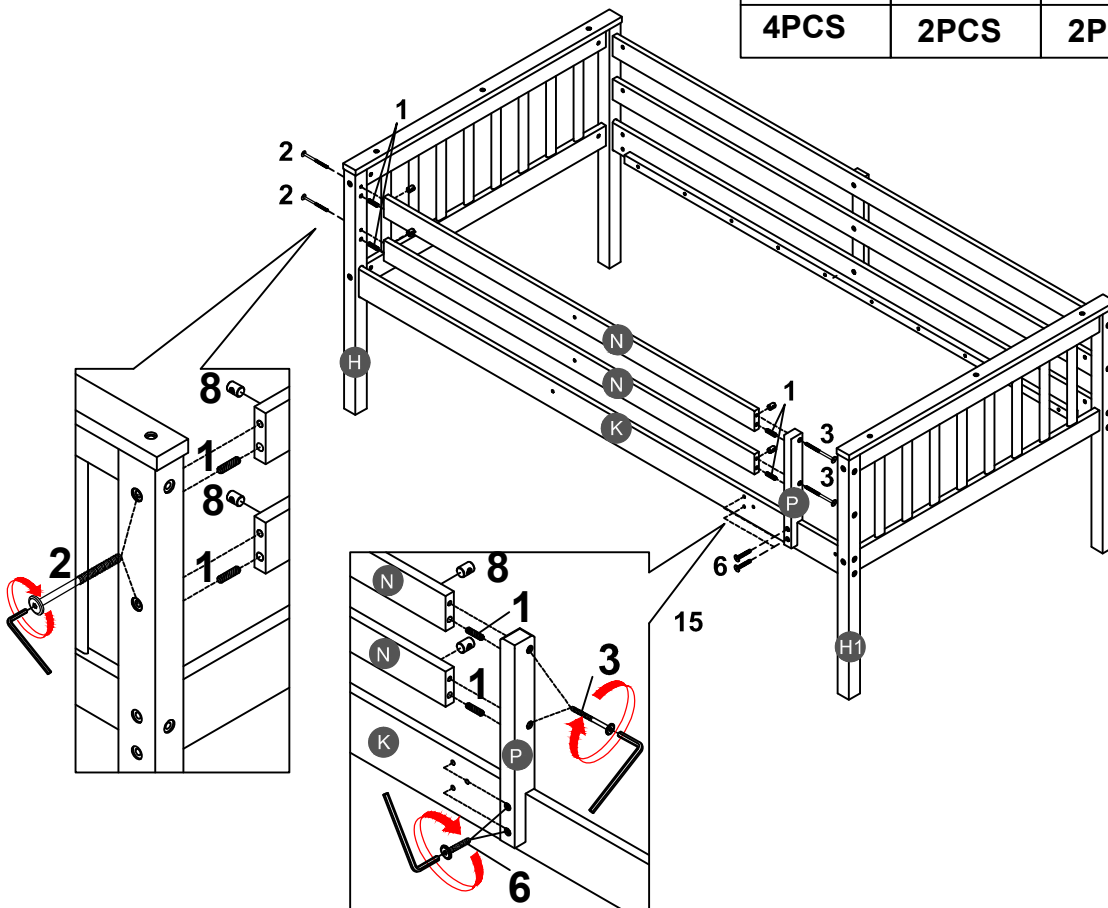
<b>1</b>		<b>2</b>	
<b>4PCS</b>		<b>12PCS</b>	
		<b>8</b>	
		<b>12PCS</b>	





**STEP 11:**




<b>7</b>	
<b>3PCS</b>	

**STEP 12:**



<b>1</b>		<b>2</b>		<b>3</b>		<b>6</b>	
<b>4PCS</b>		<b>2PCS</b>		<b>2PCS</b>		<b>2PCS</b>	

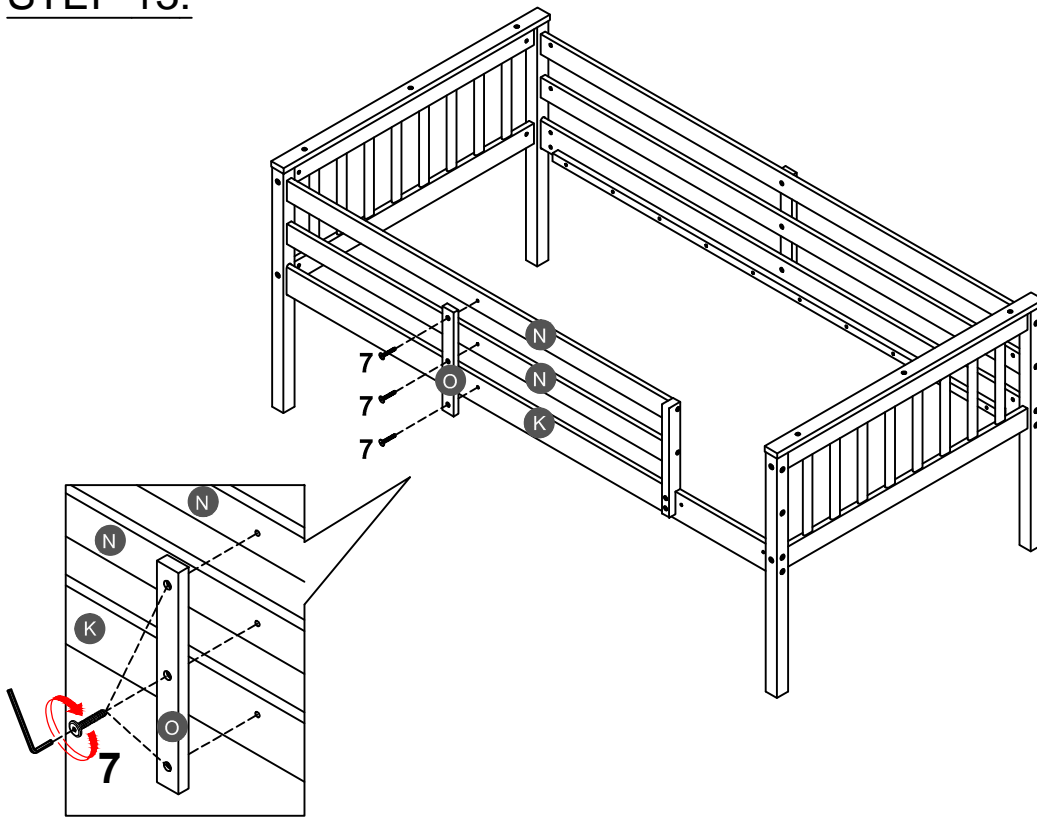
<b>8</b>	
<b>4PCS</b>	

### STEP 13:

7



3PCS

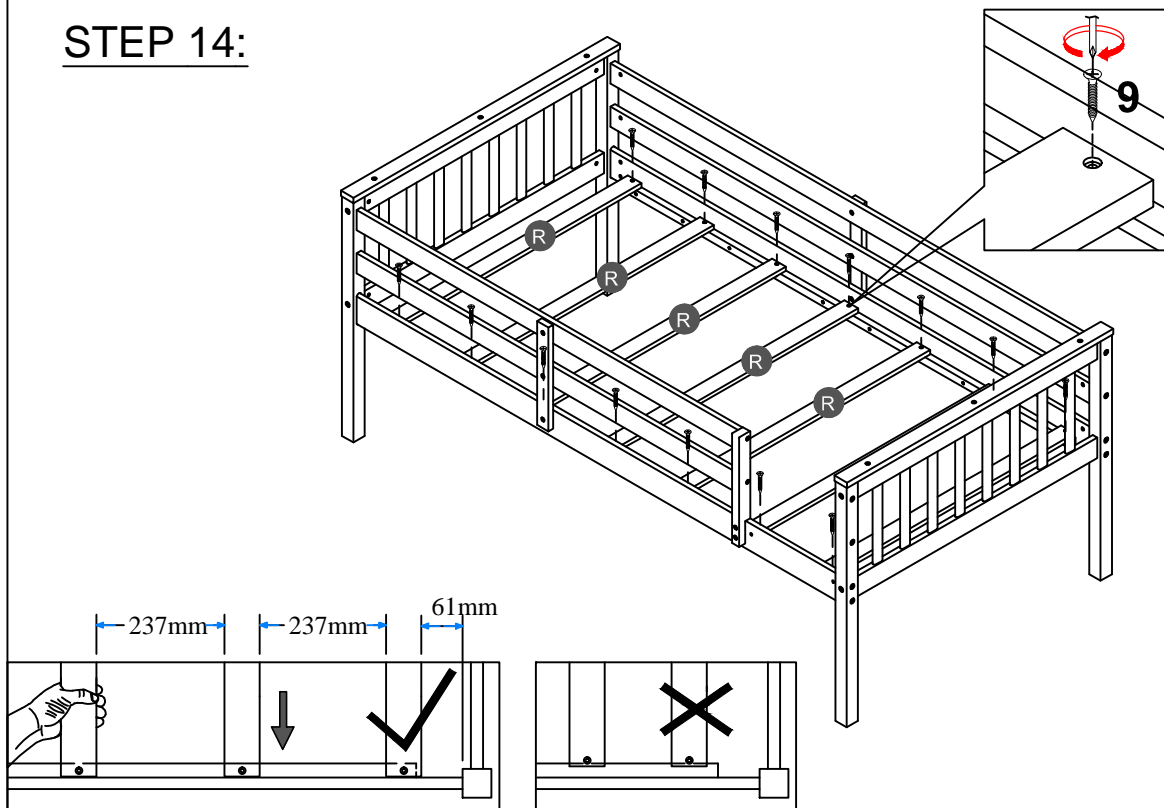


### STEP 14:

9




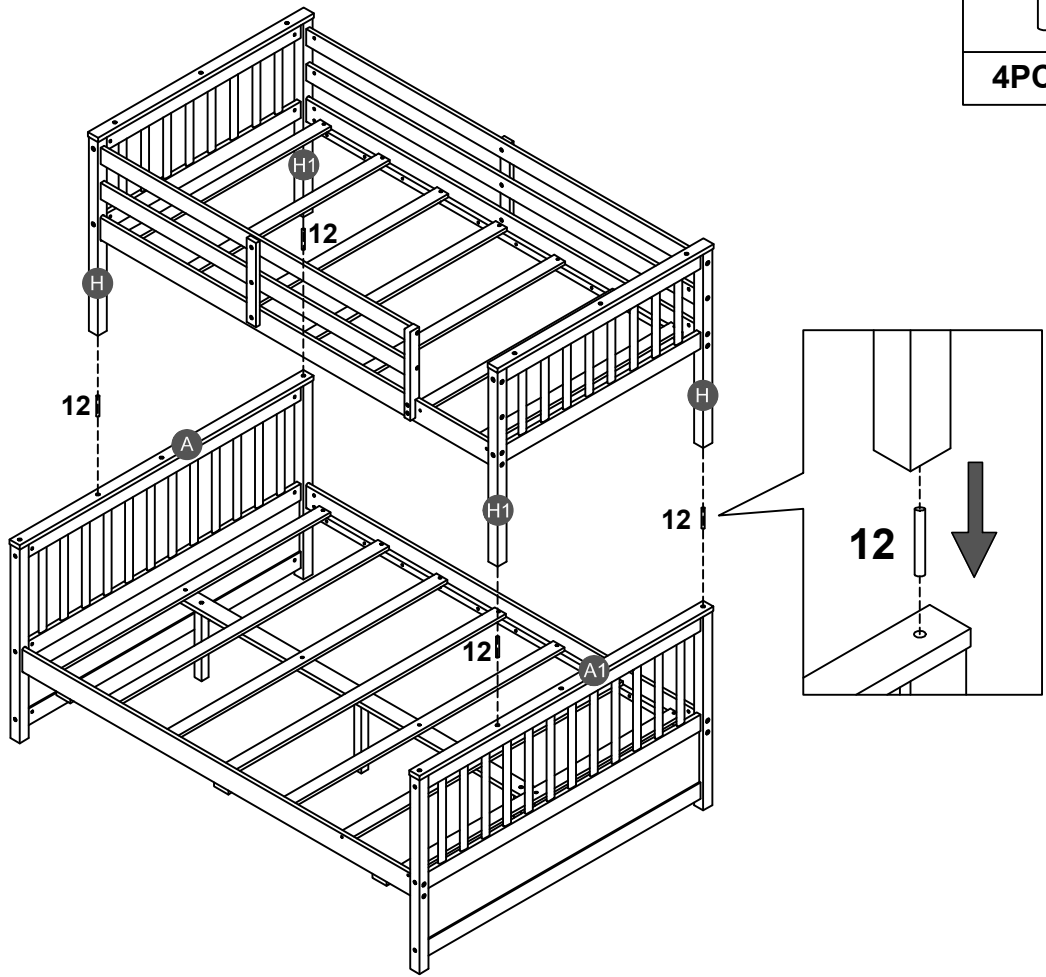
14PCS





Note: Do not lock the screws of the bed slats to the outermost edge of the bed slats, you need to leave a certain space at the edges, otherwise it will cause the board to break. Do not lock the bed slats on the edge of the wood, please hold firmly before screwing, hold it in place with one hand, then lock the screw.

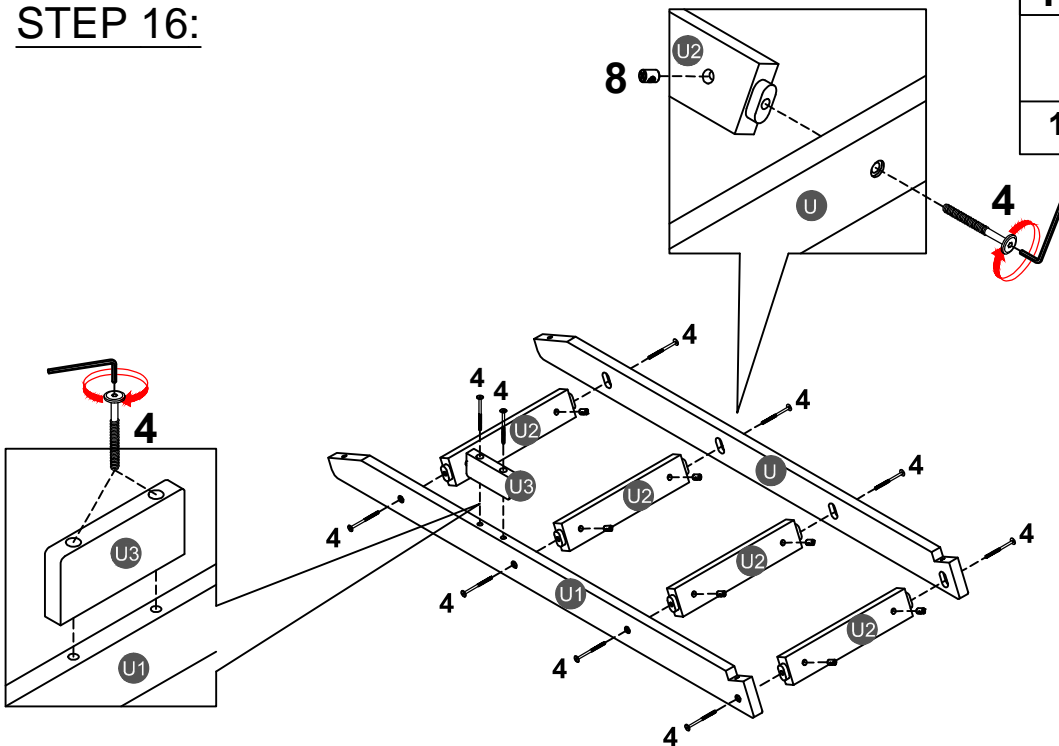
**STEP 15:**

<b>12</b>	
<b>4PCS</b>	



**STEP 16:**

<b>4</b>		<b>8</b>	
<b>10PCS</b>		<b>8PCS</b>	

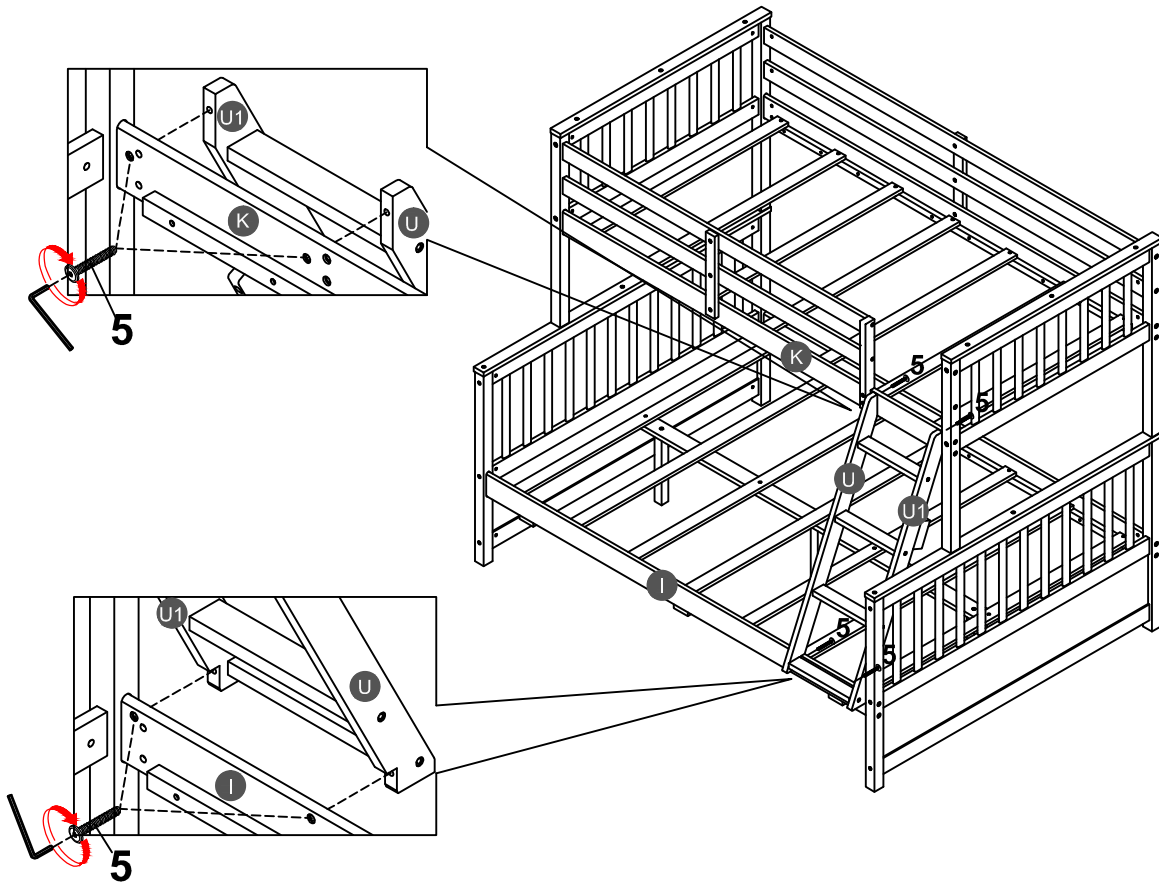


**STEP 17:**

5



4PCS



**STEP 18:**

4



4PCS

8

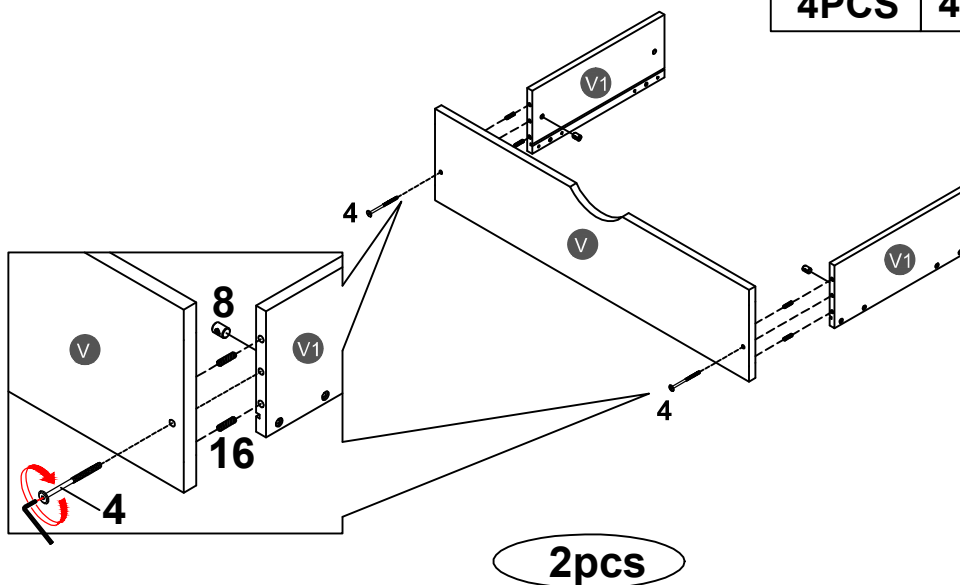


4PCS




16

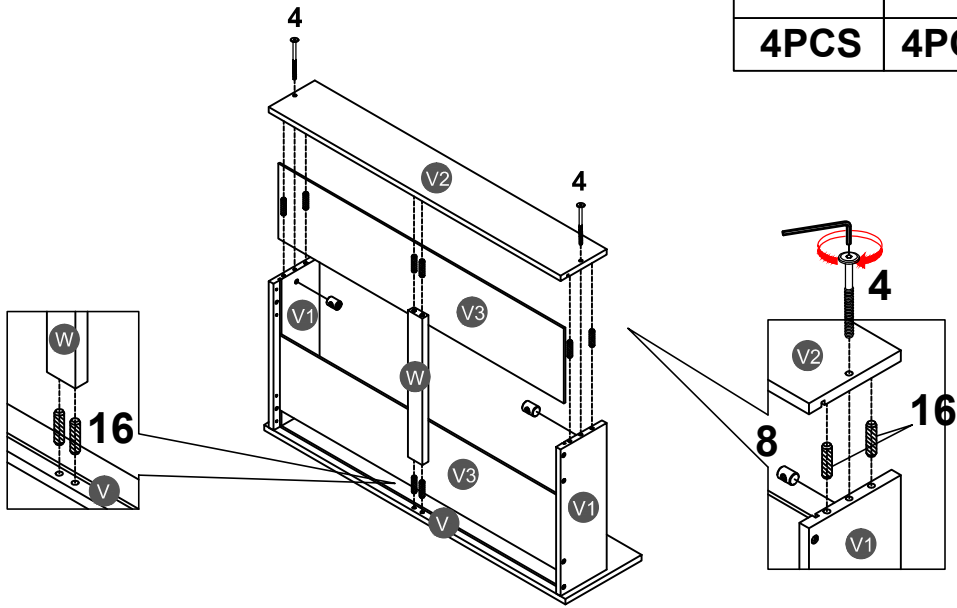


8PCS




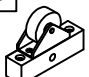

STEP 19:

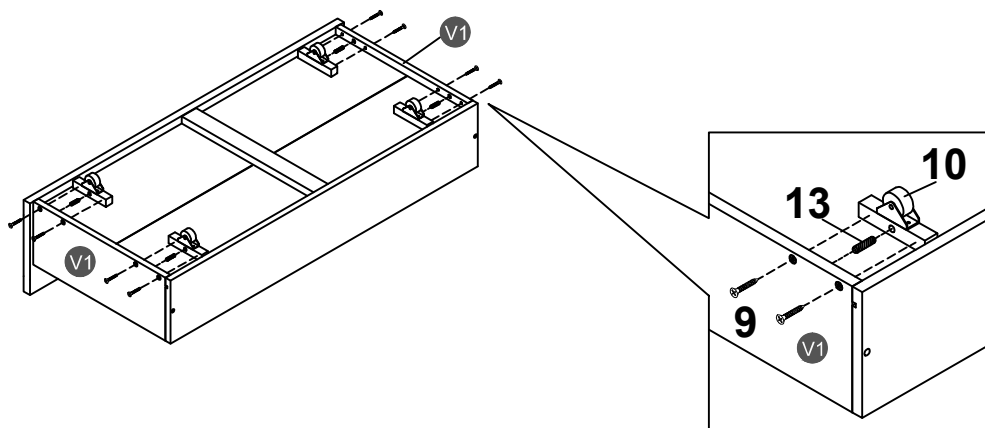
<b>4</b>		<b>8</b>		<b>16</b>	
<b>4PCS</b>		<b>4PCS</b>		<b>16PCS</b>	



**2pcs**

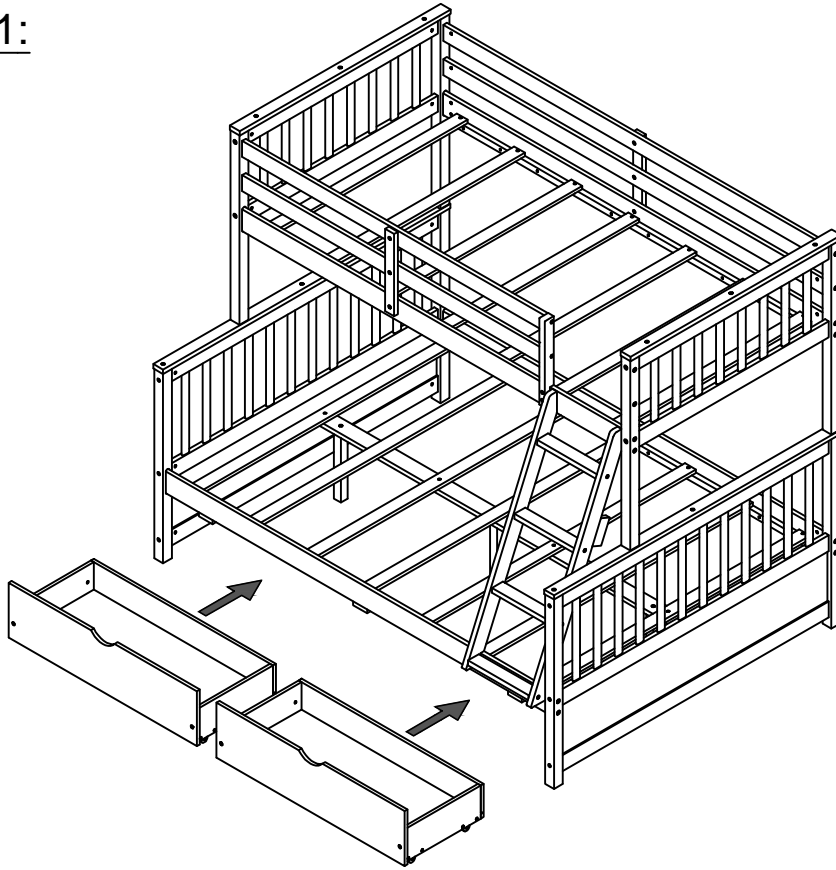
STEP 20:

<b>9</b>		<b>10</b>		<b>13</b>	
<b>16PCS</b>		<b>8PCS</b>		<b>8PCS</b>	



**2pcs**

**STEP 21:**



Push Drawer under the bottom of Bunk Bed.

