

Thank you for purchasing this LuxenHöme product. This product has been manufactured with the highest standards of safety and quality.

Installation Tips for mounting your wall decor and mirror:

- Please read these instructions prior to installation.
- Do not discard any of the packing material until you have checked that you have all the parts and hardware and that the wall decor has no damage or defects.
- For additional safety, it is best to anchor the screw in a wall stud. If there isn't a stud near where you plan to hang your art, be sure to use the wall insert (anchor).
- To ensure secure installation, it is advised that all screws be tightened by hand before hanging the wall decor item.
- We recommend that a periodic check on all screws to make sure they are fully tightened.
- Keep hardware out of children's reach.

Hardware included:

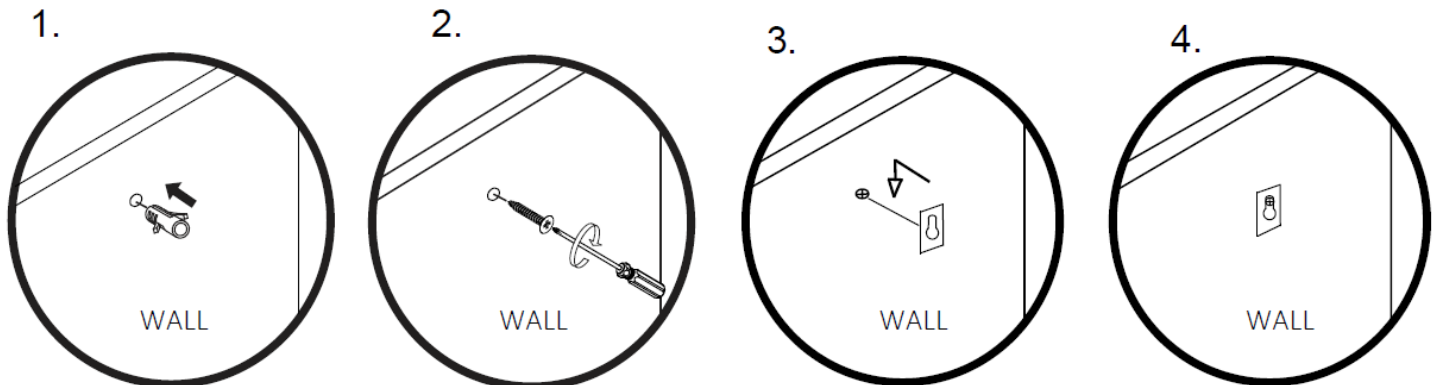


Plastic Wall Insert:



Screw:

How to use the wall anchor system:



Note: The keyhole hanger hook on the diagram is an example. The hanger hook/s are attached to the item and may look like a triangle, circle, sawtooth, d-ring, or keyhole.