



Rite-Temp[®] | K-10350

Deep rough-in kit

Features

- Includes deep rough-in kit complete
- Universal design works with all trims for K-8305 and K-28305 cartridges



Available Colors/Finishes

Color tiles intended for reference only.

^{NA} NA Not Applicable



1-800-4KOHLER (1-800-456-4537)
Kohler Co. reserves the right to make revisions without notice to product specifications.
For the most current specification sheet, go to www.kohler.com USA or www.kohler.ca Canada.
3-27-2026 16:56 - US-CA

THE BOLD LOOK
OF **KOHLER**[®]

Codes/Standards

None Applicable

Valves

Required Valve: Pressure Balance

Material

- Premium materials selected for long-term reliability and resistance to wear
-

Recommended Products/Accessories

K-8305 Pressure-balancing cartridge

Warranty

See website for detailed warranty information.

KOHLER® Faucet Lifetime Limited Warranty

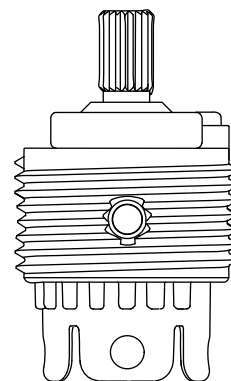
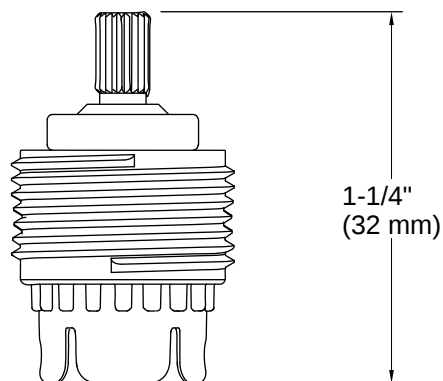
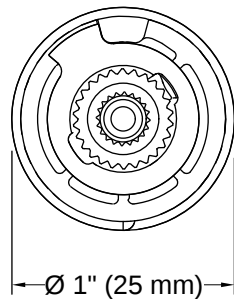


1-800-4KOHLER (1-800-456-4537)

Kohler Co. reserves the right to make revisions without notice to product specifications.

For the most current specification sheet, go to www.kohler.com USA or www.kohler.ca Canada.

3-27-2026 16:56 - US-CA



Installation

- Increases K-8305 or K-28305 cartridge rough-in depth by 3/4"

Installation Notes

Install this product according to the installation instructions.

