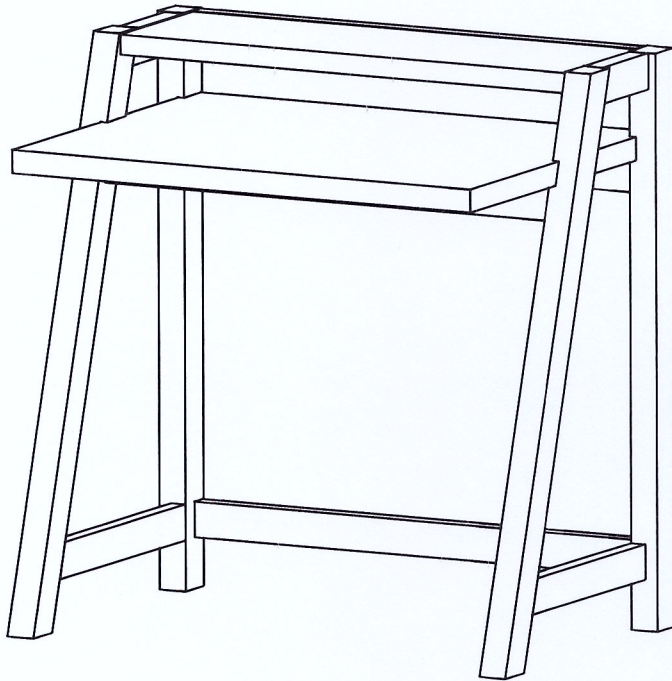


CONVENIENCE CONCEPTS

125749BL

125749W

NEWPORT LILLY DESK



Assembly instructions

We have designed our furniture with you, the customer in mind. Our clear, easy-to-follow, step-by-step instructions will guide you through the project from start to finish. Feel confident that this will be a fun and rewarding project. The final product will be a quality piece of furniture that will go together smoothly and give you years of enjoyment.

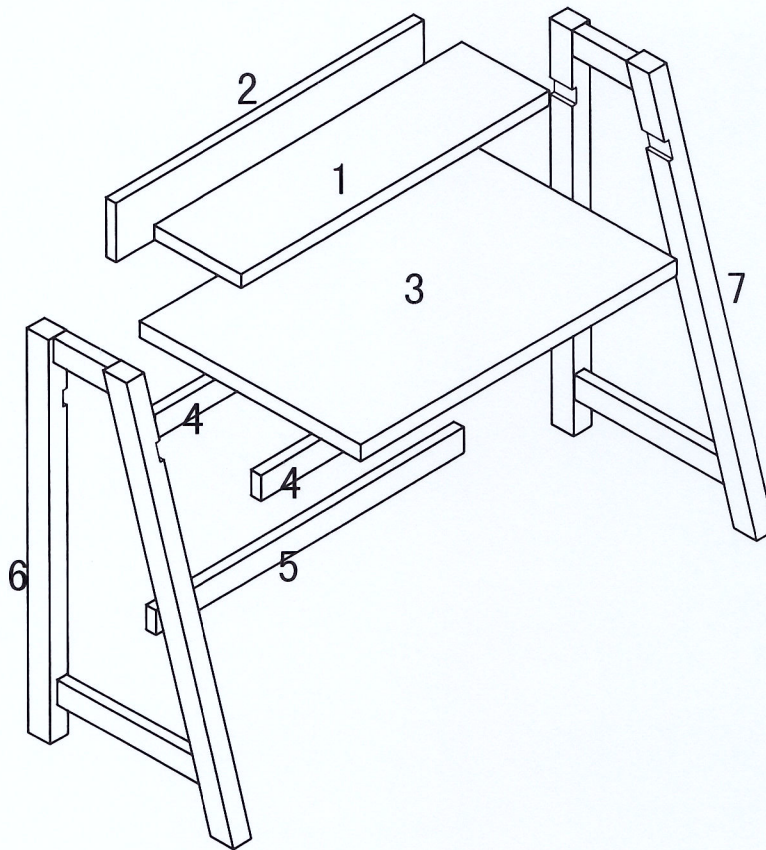


Please do not return to the store
Broken or missing Hardware?
Need help with Assembly?

If you have any questions just call 1-800-468-6447 or email us at
parts@convenience-concepts.com

PARTS IDENTIFICATION

ITEM#: 125749BL
125749W

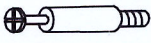








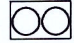



Please count and verify all parts before assembly

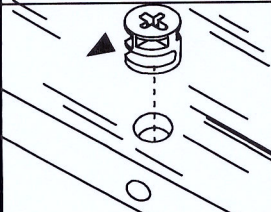
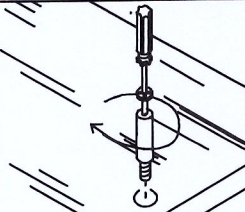
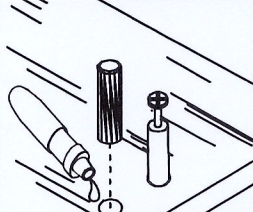
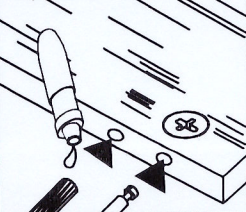
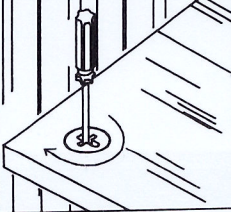
(1) Small Top Panel	1pc	(5) Lower Crossbar	1pc
(2) Back Panel	1pc	(6) Left Side Frame	1pc
(3) Large Top Panel	1pc	(7) Right Side Frame	1pc
(4) Upper Crossbar	1pc		

HARDWARE IDENTIFICATION

ITEM#: 125749BL 125749W

A		Cambolt	L29	10pcs
B		Camlock	Ø15	10pcs
C		Dowel	Ø8×25	10pcs
D		Full Thread Rod	M8×70	6pcs
E		Jam Washer		6pcs
F		Nut and Washer	M8	6pcs
G		Wrench	M13	1pc
H		Large Sticker	Ø45	6pcs
I		Foot Pin		4pcs
J		Smaller Sticker	Ø20	10pcs
K		Glue	10g	1pc

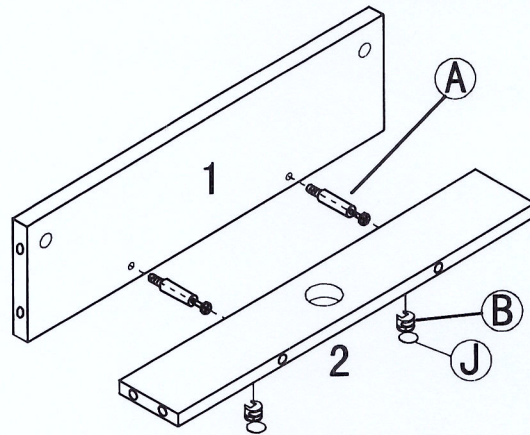
Assembling the unit with camlocks and wood dowels.

				
Insert camlock, camlock must face bolt hole	Gently screw cam dowel into the threaded anchor	lightly glue one end of wood dowel and tap into hole.	lightly glue dowel and connect to second panel by inserting dowels into holes	Gently screw the cam clockwise into locked position. Do not overtighten.

Step 1

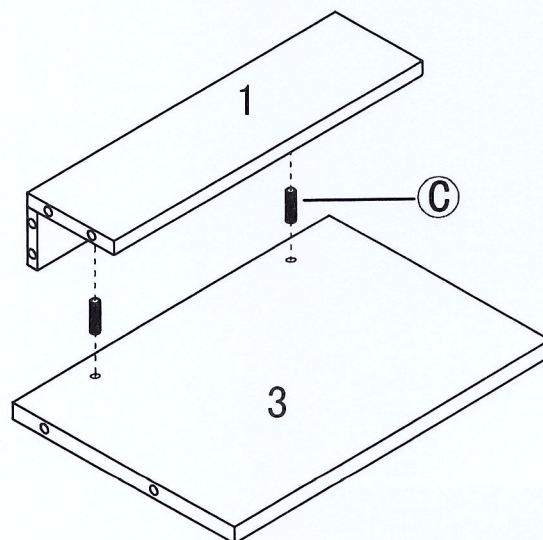
PAGE: 4 of 6

1. Attach cambolts (A) into small top panel (1).
2. Attach small top panel to back panel (2) using camlocks (B) as shown.
3. Do not overtighten.
4. Place sticker over holes.



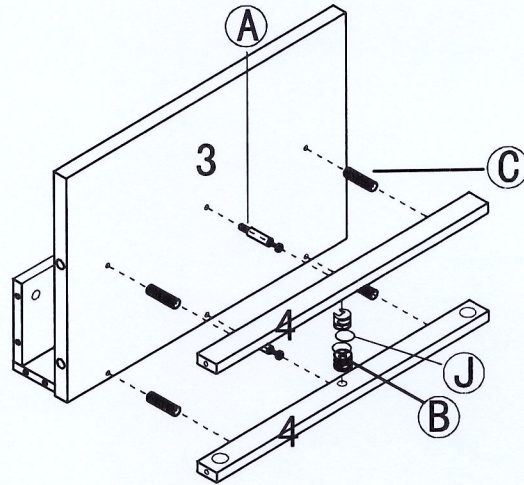
Step 2

1. Lightly glue dowels (C) and insert into large top panel (3).
2. Attach large top panel (3) assembly to back panel (2) as shown.



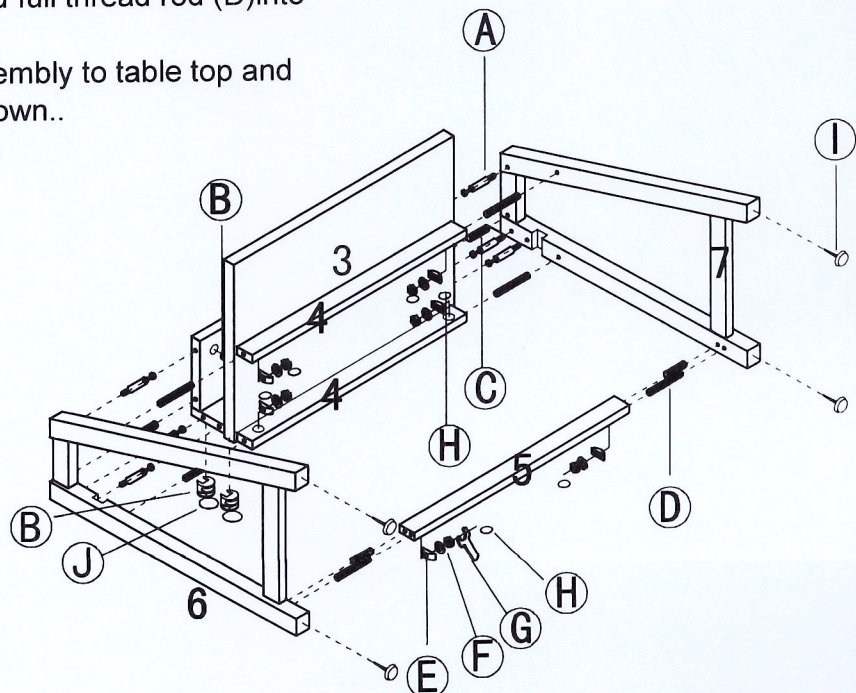
Step3

1. Lightly glue dowels (C) and insert into large top panel (3).
2. Attach cambolts (A) into large top panel (3).
3. Attach large top panel (3) to crossbars (4) using camlocks (B) as shown.
4. Place sticker over holes.



Step4

1. Lightly glue dowels (C) and insert into side frames (6,7).
2. Attach cambolts (A) and full thread rod (D) into side frames (6,7).
3. Attach side frames assembly to table top and crossbar (1,2,3,4,5) as shown..
4. Place sticker over holes.



Step5

Enjoy your desk!

