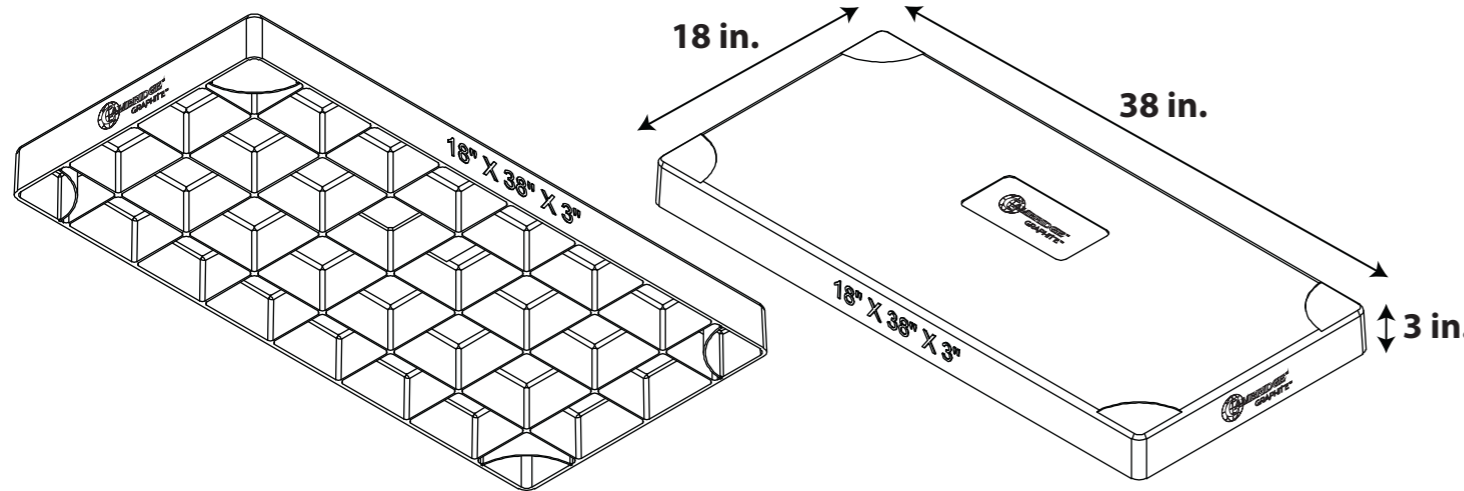
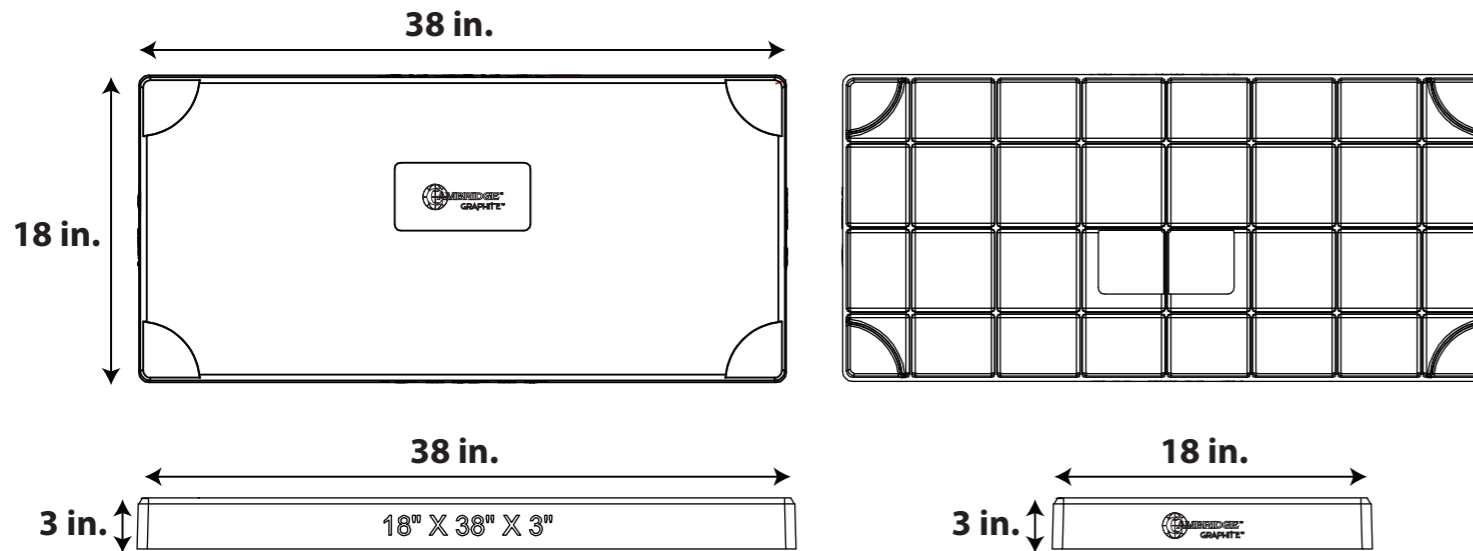




# GRAPHITE

## Specifications:

1. Color: Gray
2. Material: Polypropylene
3. Weight: 10.25 lbs
4. Load capacity: 1000 lbs



### Consistent Ribbing Transfers Load

Generous ribbing underneath the pad spreads the load evenly and ensures pad strength.

### Precise Top Texture

Helps prevent equipment from moving and enhances stability.

### Easy to Identify Size

Size of these pads are written out on the sides for easy identification.

### Additional Surface Support

The bottom of our Cambridge pad shows an abundance of ribbing plus additional surface to increase pad strength.

### Lightweight

Cambridge pads are light, durable and maneuverable

### Multiple Sizes

Comes in multiple sizes to match all kinds of equipment.  
This drawing is: 18" x 38" x 3"

### Stackable

Cambridge pads stack which allows for easy shipping and warehousing.

### Material/Color

Polypropylene colored gray to match cement and exterior aesthetic.

### UV Stabilized