



**PROJECT
SOURCE**

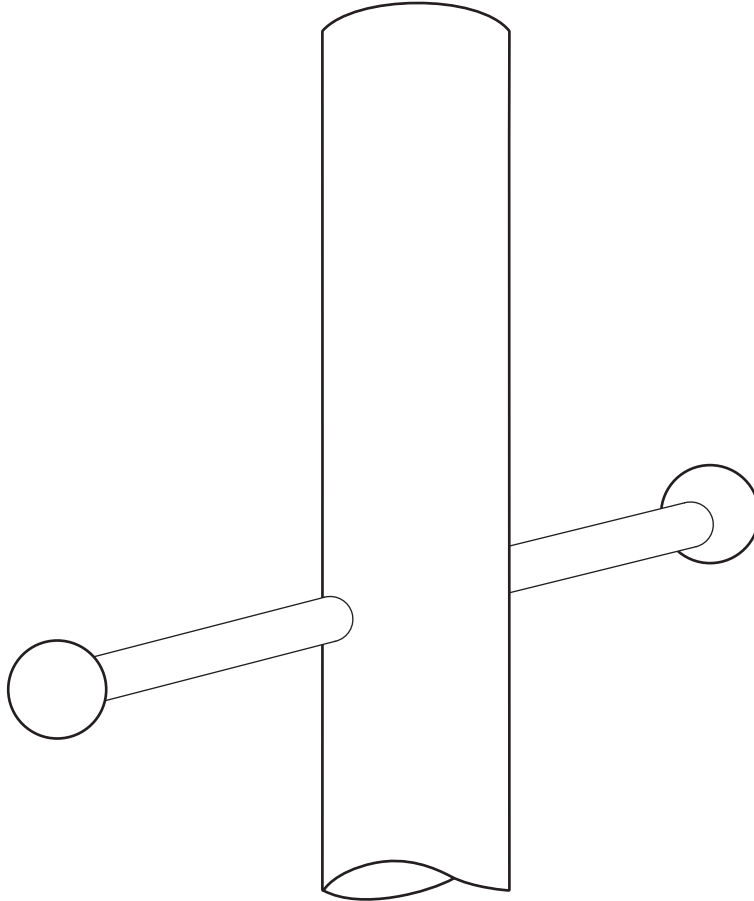
PROJECT SOURCE and logo design are trademarks or registered trademarks of LF, LLC. All rights reserved.

ITEM #13960/14283
MODEL #40194/40226

LANTERN POST WITH CROSSBAR

Español p. 7

ATTACH YOUR RECEIPT HERE



Purchase Date _____

Thank you for purchasing this PROJECT SOURCE product.
Questions, problems, missing parts?
Before returning, to your retailer, contact us at:
866-389-8827, 8 a.m. - 8 p.m., EST, Monday - Sunday or ascs@lowes.com.

PACKAGE CONTENTS

A



B



C



PART	DESCRIPTION	QUANTITY
A	Lantern Post	1
B	Crossbar	1
C	Decorative Ball (preassembled to Crossbar (B))	2

SAFETY INFORMATION

Please read and understand this entire manual before attempting to assemble, operate or install the product.

- Make sure all electrical connections comply with local codes, ordinances, the National Electrical Code and ANSI/NFPA 70-199. Hire a qualified electrician or consult a do-it-yourself wiring handbook if you are unfamiliar with installing electrical wiring.
- This product is for outdoor use only.
- This product is to be connected to a 120-volt, 60Hz power source. Connecting to a different power source or wiring incorrectly may create a hazard, damage the unit, and will void the warranty.
- This product is suitable for wet locations.
- Do not attempt to open the electrical component housings. They do not contain any serviceable parts. Install these parts as is.
- Selecting a lantern post or lighting standard for performance and safety requires a full understanding of various factors or conditions. Professional engineering assistance when selecting a post is highly recommended. Many factors can affect the performance or safety of your post, including (but not limited to):
 - Total weight of the fixture and all the accessories the post must bear.
 - The peak wind load and the effective projected area (EPA) of the mounted apparatus.
 - Environmental characteristics such as moisture, salinity, corrosiveness and other soil and air conditions and their possible effect on the type of post selected.
 - The crossbar is not intended to carry load.



WARNING: Ensure the power is turned off at the main power panel or circuit breaker box prior to installing or replacing components.

CAUTION: The convenience outlet is not intended for ground installation. Do not install the convenience outlet on a post or pole that would result in a vertical rise of 25 feet or higher.

PREPARATION

Before you begin the assembly of this product, ensure that all parts are present. Compare all parts with the package contents list and hardware contents list above. If any part is missing or damaged, do not attempt to assemble the product.

Estimated Assembly Time: 60 minutes

Tools Required for Assembly (not included): Phillips screwdriver, Shovel, Gravel, Supply wire and Concrete

Helpful Tools (not included): AC Tester Light, Tape Measure, Wiring Handbook, Masking tape, Pencil, Step ladder and Wire cutters

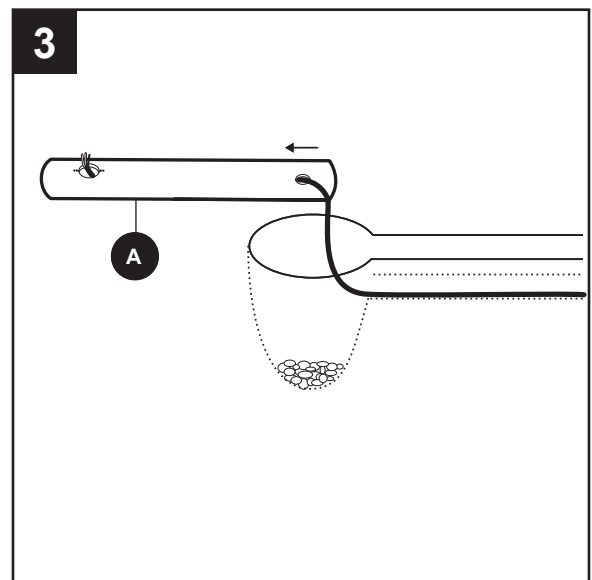
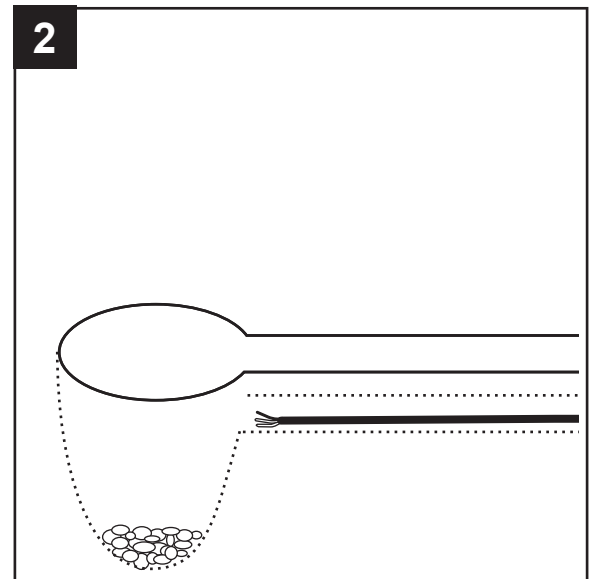
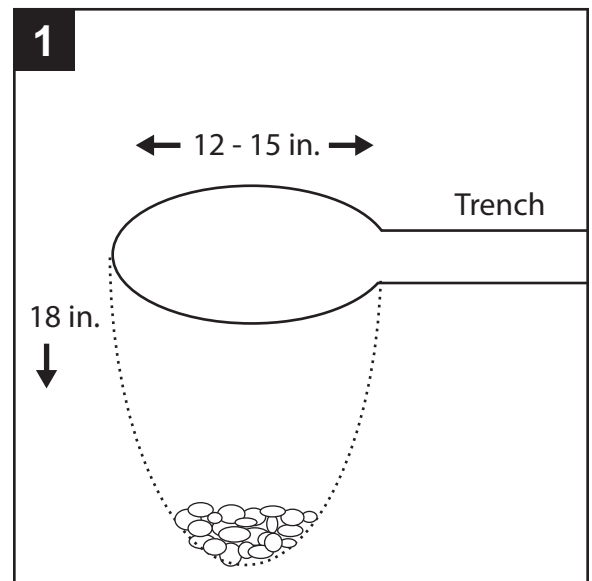
ASSEMBLY INSTRUCTIONS

Important: Before you begin this procedure and dig the necessary holes required to install the item, consult your local electrical codes.

1. Dig a hole 12 in. to 15 in. in diameter and 18 in. in depth, allowing extra depth for added gravel (not included). Save some of the soil for later. Shovel several inches of gravel in the bottom of the hole for drainage purposes. Then dig a trench to the required depth from the post hole to the power source.

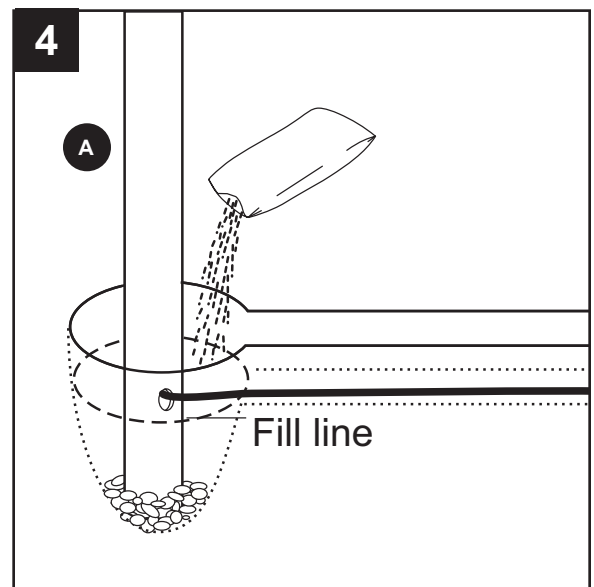
2. Run the electrical cable (not included) through the trench from the power supply to the hole created for the lantern post (A).

3. Feed the electrical cable through the 1-1/8 in. hole near the bottom of the lantern post (A) and out through one of the 1-3/8 in. holes near the top, allowing sufficient lead for splicing.



ASSEMBLY INSTRUCTIONS

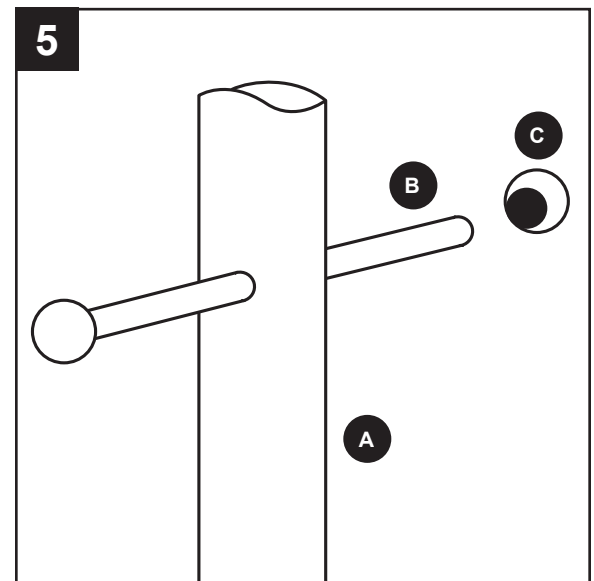
- Once the wire has been routed through the lamp post (A), secure the lamp post (A) into the hole with concrete (not included). **Note:** Ensure the bottom of the lamp post (A) is embedded in the gravel and is level before pouring the concrete up to just below the inlet hole. DO NOT pour concrete up to the ground level. Continue to hold the lamp post (A) stable until the concrete hardens, then fill the hole and trench with soil or sod (not included) to the ground level.



- Remove the decorative ball (C) from one end of the crossbar (B). Insert the crossbar (B) through both 3/4 in. diameter holes in the lantern post (A). Re-attach the decorative ball (C) and position the crossbar (B) as desired.

Attach light fixture (sold separately) according to manufacturer's instructions to complete assembly.

WARNING: Power should remain off until the light fixture installation is complete.



LIMITED LIFETIME WARRANTY

The manufacturer warrants all of its lighting fixtures against defects in materials and workmanship for three (3) years from the date of purchase. If within this period the product is found to be defective, take a copy of the bill of sale as a proof of purchase and the product in its original carton to the place of purchase. The manufacturer will, at its option, repair, replace or refund the purchase price to the consumer. All costs of installation and removal of the fixture is the responsibility of the consumer. This warranty does not cover fixtures becoming defective due to misuse, accidental damage or improper handling and/or installation and specifically excludes liability for direct, incidental or consequential damages. As some states do not allow exclusions of limitations on an implied warranty, the above exclusion and limitation may not apply. This warranty gives you specific rights and you may also have other rights which may vary from state to state.