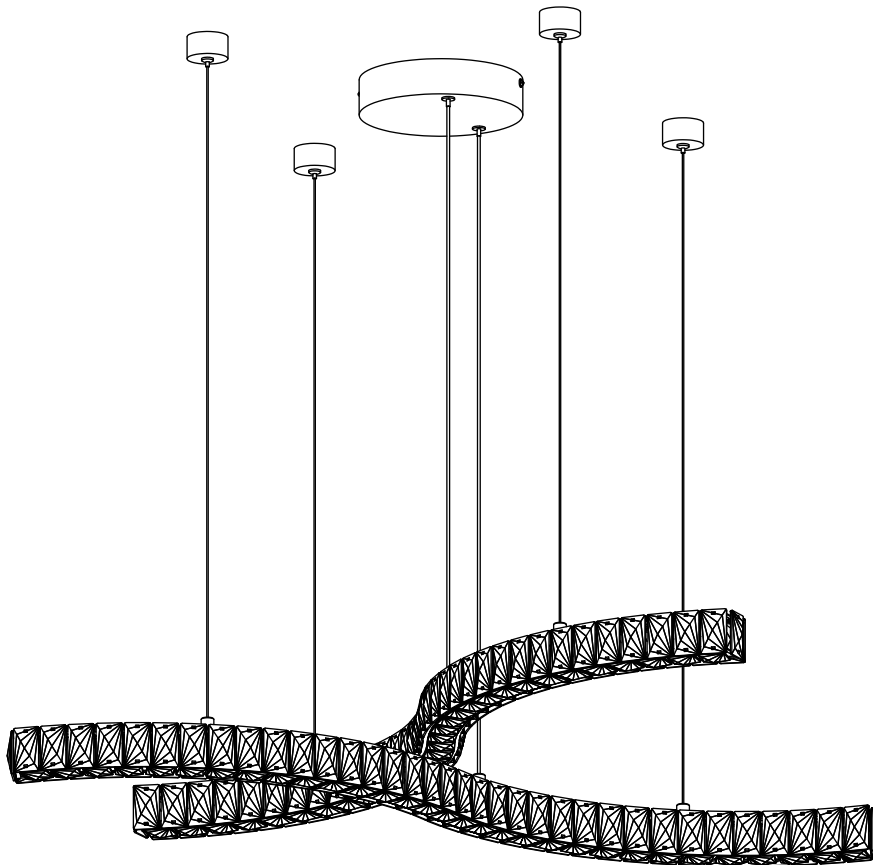


**Item Number: A05101**

**WARNING (To reduce the risk of fire, electric shock, or personal injury):**


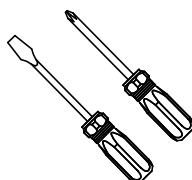
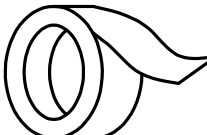
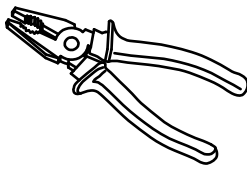
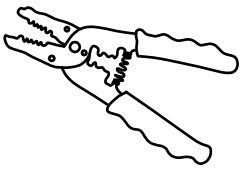
1. We suggest installation by a **licensed electrician**.
2. Please read the instruction carefully and save it as you may need it at a later time.
3. Before you start, **NEVER** attempt any work without shutting off the electricity until the work is done.
  - » Go to the main fuse, or circuit breaker, box in your home. Place the main power switch in the **“OFF”** position.
  - » Place the wall switch in the **“OFF”** position.
4. Mounting surface should be clean, dry, flat, strong enough and 1/4” larger than the canopy on all sides. Any gaps between the mounting surface and canopy exceeding 3/16” should be corrected as required.
5. Make sure that the ceiling or wall can stand the weight of the lamp before installation.
6. Make sure the voltage you are using is **120V**. The maximum wattage is **LED, 40W**.
7. Keep the lamp away from acidic and alkaline substances in case of damaging the surface of the lamp.
8. When replacing bulbs, you should turn off or unplug the lamp and you must wait until it is cool as bulbs get hot quickly.
9. The safety instructions appearing in this manual are not meant to cover all possible conditions that may occur. It must be understood that common sense, caution and care must be used with any electrical products.

**IMAGE FOR FINISHED PRODUCT:**



**TOOLS REQUIRED (NOT INCLUDED):**

Before starting assembly and installation please prepare the needed tools as below picture

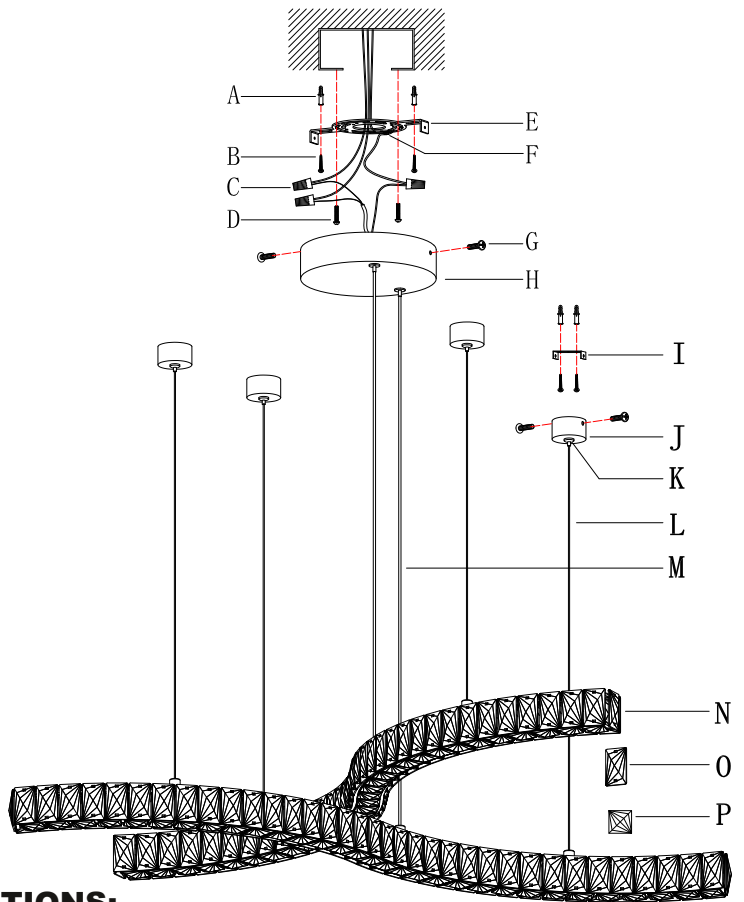
				
<p>Ladder</p>	<p>Philips Head or Flat Blade Screwdriver</p>	<p>Electrical Tape</p>	<p>Pliers</p>	<p>Wire Cutter/Stripper</p>

**PARTS TYPE & QTY INCLUDING:**

- (E) Mounting plate (1)
- (F) Green ground screw (1)
- (G) Stud (10)
- (H) Canopy (1)
- (I) Small mounting plate (4)
- (J) Small canopy (4)
- (K) Lock nut (6)
- (L) Steel Wire (4)
- (M) Cable (2)
- (N) Body (1)

**ACCESSORIES & QTY ENCLOSED:**

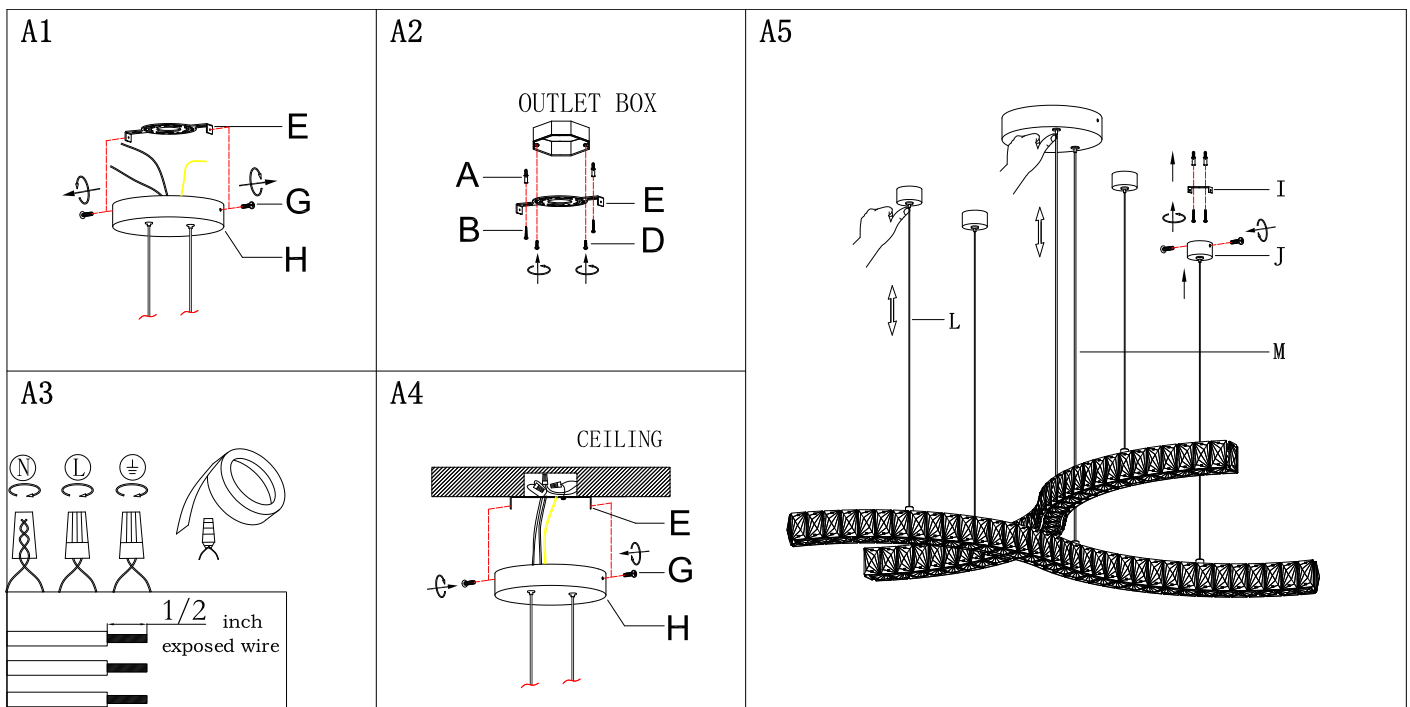
- (A) Anchor (10)
- (B) Wood screw (10)
- (C) Plastic Wire Connector (3)
- (D) Mounting screw (2)
- (O) Crystal-A (1) (spare part)
- (P) Crystal-B (1) (spare part)



**ASSEMBLY & INSTALLATION INSTRUCTIONS:**

1. Carefully remove the fixture from the carton and check that all parts and accessories are included as shown in the above illustration.
2. Turn off power  
 Before you start the installation, NEVER attempt any work without shutting off the electricity until the work is done.
  - » Go to the main fuse, or circuit breaker, box in your home. Place the main power switch in the "OFF" position.
  - » Place the wall switch in the "OFF" position.

**3. Make installation**



**Step A1** » 1) Unscrew studs (G) from canopy (F).

2) Gently remove mounting plate (E) and then set them aside for later installation.

**Step A2** » Carefully pass the supply wires from the outlet box through mounting plate (E).

**NOTE: To drill the holes in the wall for anchors (A), attach mounting plate (E) to the outlet box with mounting screws (D) and mark the holes as shown in the illustration.**

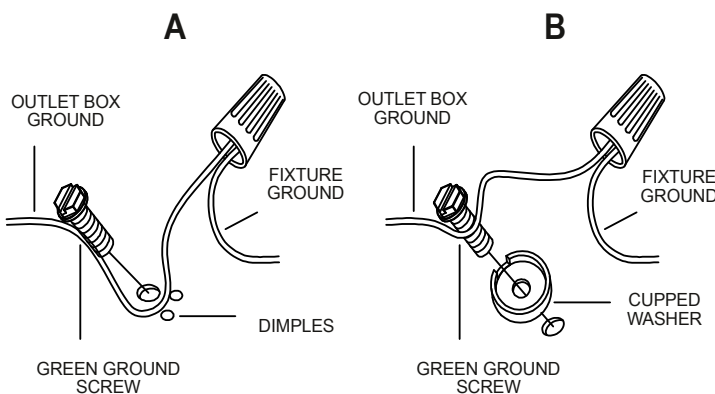
- Unscrew mounting screws (D) and remove mounting plate (E).
- Drill holes and gently knock anchors (A) into the holes until anchors (A) are level with the wall.
- Secure mounting plate (E) to the outlet box with mounting screws (D) and wood screws (B).

**Step A3** » Make wire connections

Connect wires as below wires connecting shown. **PLEASE NOTE THAT GROUND WIRE IS BARE COPPER WIRE, NEVER CONNECT OTHER WIRES TO GROUND WIRES.**

Connect ground wires according to the below chart

Connect wires according to the below chart



Connect Black or Red Supply Wire to:	Connect White Supply Wire to:
Black	White
*Parallel cord (round & smooth)	*Parallel cord (square & ridged)
Clear, Brown, Gold or Black without tracer	Clear, Brown, Gold or Black with tracer
Insulated wire (other than green) with copper conductor	Insulated wire (other than green) with silver conductor

\* Note: When parallel wires (SPT I & SPT II) are used. The neutral wire is square shaped or ridged and the other wire will be round in shape or smooth (see illus.)

Neutral Wire

**Twist wires together with plastic wire connectors until tightly joined, and wrap each connector with approved electrical tape. Be sure that no wire strands are exposed and then carefully tuck all wires into the outlet box.**

**Step A4** » 1) Position canopy (H) and mounting plate (E) in place.

2) Carefully thread studs (G) through the holes in canopy (H) and mounting plate (E) and then secure them by tightening studs (G).

**Step A5** » 1) To drill the holes in the wall for anchors (A), attach small mounting plates (I) to wall with wood screws (B) and mark the holes as shown in the illustration.

- **(Please refer to step A2 for the use of anchors (A), wood screws(B) and small mounting plates (I))**
- 2) Screw studs (G) to small canopies (J) to secure small mounting plates (J)
- 3) Please adjust the hanging height of the fixture first:
  - Press down and hold lock nuts (K) of canopies by hand.
  - Pull or push steel wires (L) and cable (M) in and out of canopies to increase or decrease the hanging height.
  - **Please adjust steel wires (L) first.**

**4. Check everything is already installed properly, then you could turn on the light. Enjoy!**

### ORDERING PARTS

Keep this sheet for future reference in case you need to order replacement parts. All parts for this fixture can be ordered from the place of purchase. Be sure to use exact wording from illustration when ordering parts.

### CLEANING

To clean, wipe the fixture with a soft cloth. Clean glass with a mild cleaner (such as mild and non-abrasive soap). Do not use abrasive materials such as scouring pads or powders, steel wool or abrasive paper.