



Premise™ | K-R28734-4G

Rite-Temp® bath and shower kit, 1.75 gpm

Features

- Single-function showerhead provides superior spray coverage
- Multifunction handshower with advanced spray engine provides three experiences: full coverage, powerful massage, and gentle mist, plus pause feature
- Full coverage produces an encompassing spray ideal for everyday use
- Powerful massage spray is a focused stream that targets sore muscles, or use as a utility spray to rinse kids, pets, and your shower
- Gentle mist spray restores, with a thick cloud of silky, super-fine water droplets
- Pause feature temporarily pauses water flow to conserve water while you lather, shave, or shampoo
- Simple thumb tab smoothly transitions between sprays
- Can be used as a showerhead, handshower, or both
- Magnetic docking securely holds handshower in place
- MasterClean™ sprayface features an easy-to-clean surface that withstands mineral buildup and maximizes spray performance
- 1.75 gpm (6.6 lpm) maximum showerhead/handshower flow rate at 80 psi (5.5 bar)
- Single lever handle allows for both on/off activation and temperature setting
- Rite-Temp® pressure-balancing technology maintains water temperature within +/- 3°F
- 6-1/4" (159 mm) diverter bath spout with slip-fit connection
- Box includes: Showerhead, handshower, shower arm and flange, faceplate with lever handle, diverter bath spout with 1/2" slip-fit connection, 72" (1829 mm) hose, and Rite-Temp® pressure-balancing valve
- Coordinates with other products in the Premise collection
- This product can help a building earn Water Efficiency points in LEED® Green Building Rating System



Sustainability



Available Colors/Finishes

Color tiles intended for reference only.

■ BL Matte Black



1-800-4KOHLER (1-800-456-4537)

Kohler Co. reserves the right to make revisions without notice to product specifications.

For the most current specification sheet, go to www.kohler.com USA or www.kohler.ca Canada.

3-27-2026 14:5 - US-CA

THE BOLD LOOK
OF **KOHLER**

Codes/Standards



ASME A112.18.1/CSA B125.1
DOE - Energy Policy Act 1992
EPA WaterSense®
California Energy Commission (CEC)

Technical Information

All product dimensions are nominal.

Handle

Handle Style/ Type: Lever

Spout

Spout Reach: 6-1/4" (159 mm)

Flow Rate

Shower/Rainhead Rated 1.75 gpm (6.6 l/min)

Maximum Flow:

Handshower Rated Maximum 1.75 gpm (6.6 l/min)

Flow:

Valves

Included Valve: Pressure Balance

Material

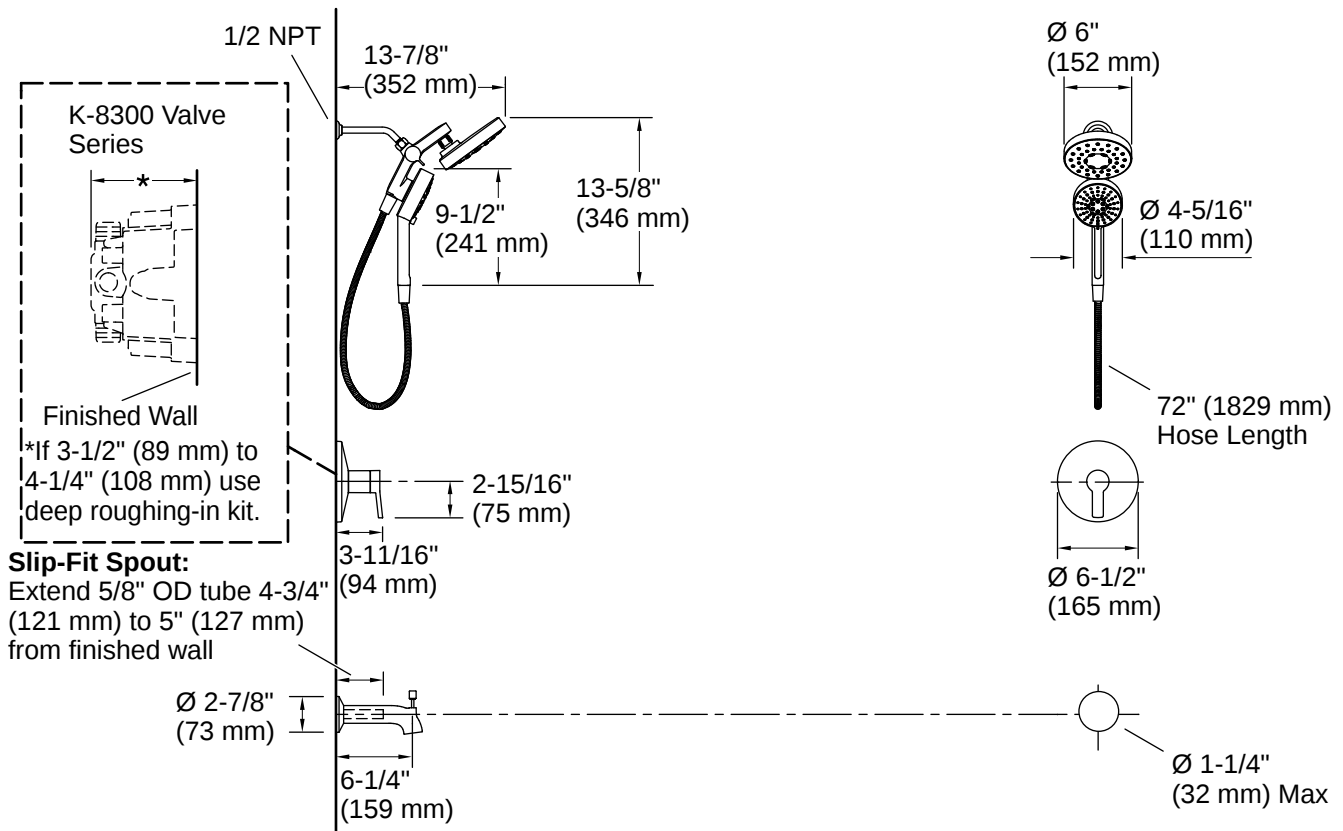
- Premium material construction for durability and reliability
 - Select KOHLER finishes feature ScratchShield® technology which withstands even the toughest daily use
 - Spot Repel® finish resists fingerprints, smudges, and water spots (Brushed Nickel and Matte Black finishes only)
-

Warranty

See website for detailed warranty information.

KOHLER® Faucet Lifetime Limited Warranty





Installation

- Wall-mount

Installation Notes

Install this product according to the installation instructions.

Install straight pipe or tube drop of 7" (178 mm) to 18" (457 mm) with single elbow between the valve and wall-mount spout.

