



Thank you for purchasing Leick Furniture products.
Contact customer service for comments or concerns.

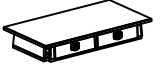


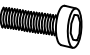




Sheboygan, WI

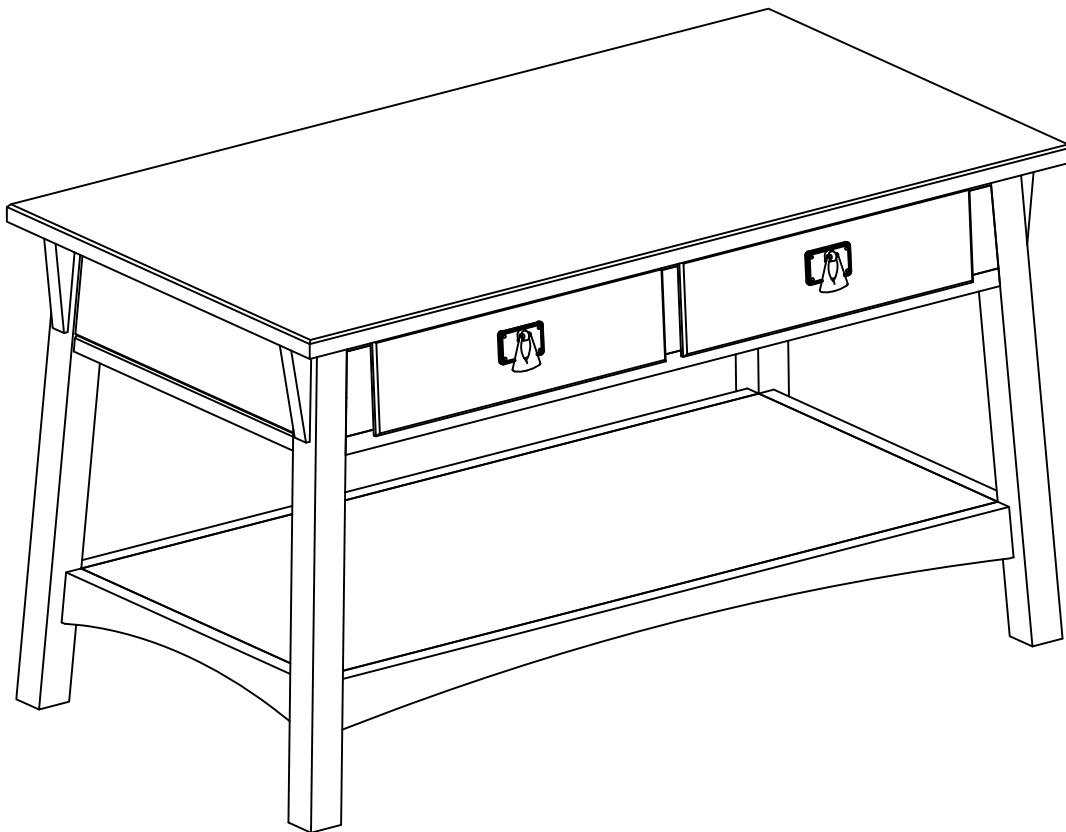
920-451-4060

info@leickfurnituresince1910.com

www.leickfurnituresince1910.com

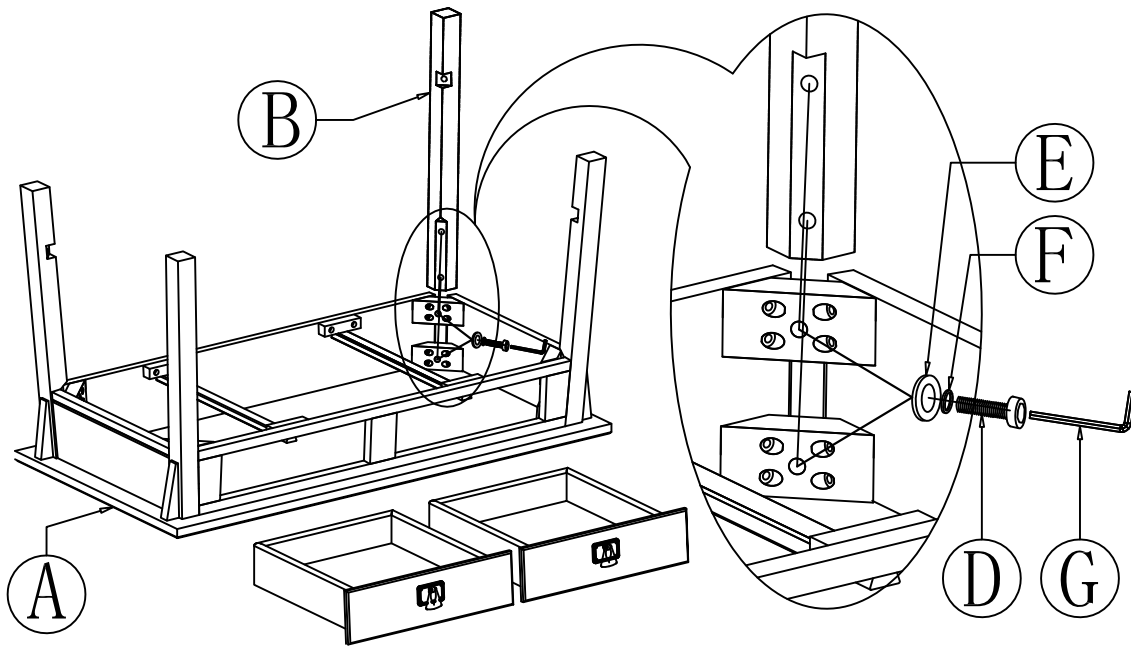
Assembly Instructions, #10055 Mission Cocktail Table

A: Top	
B: (4) Legs	
C: Shelf	
D: (12) Bolts	
E: (12) Flat Washers	
F: (12) Lock Washers	
G: Allen Wrench	
H: (2) Extra Drawer Glides	



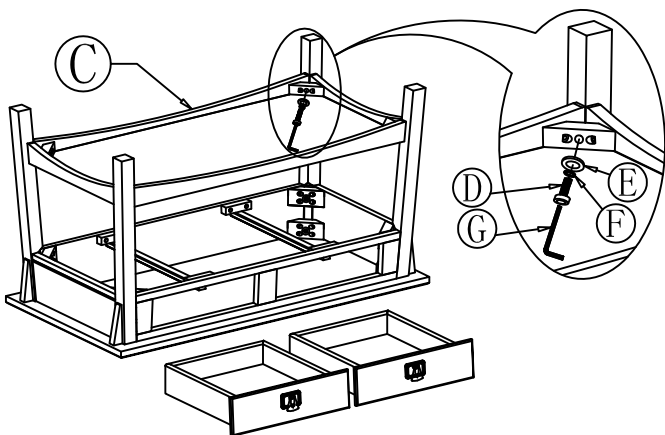
Step 1

Remove drawers and place the top assembly upside down. Fasten the legs with (8) bolts, flat washers, and lock washers. Do not tighten yet. Make sure the leg corbels are facing the right direction as shown in the following picture before attaching the legs.



Step 2

Place the shelf on legs and tighten with (4) bolts, flat washers, and lock washers. Tighten in step 1.



Step 3

Put the table right side up and put the drawers back into the table.

