

GAMA SONIC[®]

SOLAR LIGHTING



Instruction Manual


IMPERIAL BULB

SOLAR POST LIGHT WITH TRAPEZOIDAL SOLAR PANELS W/ 3" FITTER MOUNT

Model: 37B50012

US Patent # 7172307 # 9458970 Design Patent # 629,950

Version 1.1

 Please read the instruction manual carefully to obtain the best results from your purchase.

Thank you for your purchase. GAMA SONIC® solar charged lights are brighter and last all night with a full day solar charge. Unique designs, superior light output, and numerous installation options confirm the outstanding value of our product.

For technical assistance and more information call our Toll-Free number:
800-835-4113 (only within the US)

Or

visit our website or download the latest version of your instruction manual:
www.gamasonic.com Or **www.gamasonic.com/user-guides**

Solar Lamp Location:

For optimum light duration throughout the night, it is very important to place your solar lamp in a spot where it will receive the maximum amount of direct sunlight throughout the day.

NOTE: The solar light must be charged for two sunny days in the “ON” position for best results.



WARNING: GAMA SONIC® Light bulbs are not to be used in other electrical sockets these are low-voltage light bulbs that are built and designed for our products only!



NOTE: If you are replacing an existing gas/electric post light, you must consult a certified technician to cancel them before installation.

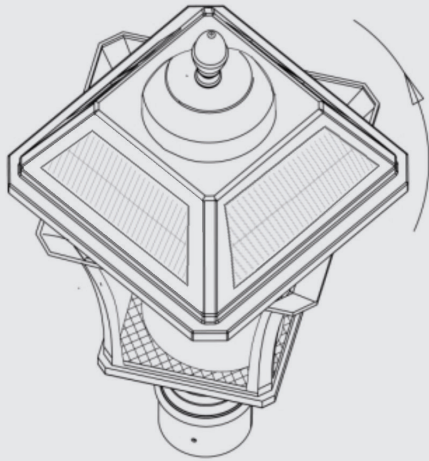


Fig. 1

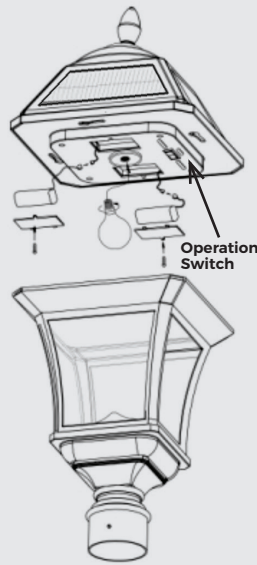


Fig. 2

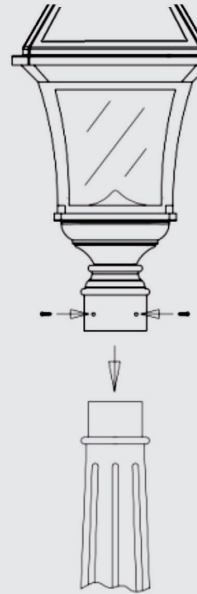


Fig. 3

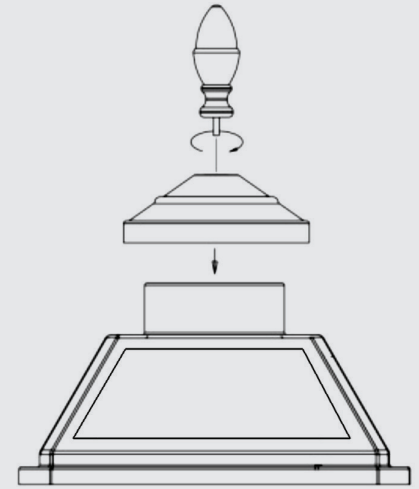


Fig. 4

Operation Instructions

1. Detach the upper part of the lamp as shown in Fig. 1 by turning it counterclockwise.
2. Turn ON the operation switch (see Fig. 2.) by choosing your desired brightness level:

LOW - last longer using dimmer light.
HIGH- Brighter light output.
3. Reassemble the upper part of the lamp by placing it on top of the 4 hinges, and then turn it clockwise.
4. Install the lamp onto your existing 3" post, using the screws provided (Fig. 3.).
5. Screw in the acorn finial on top of the lamp (Fig. 4.).

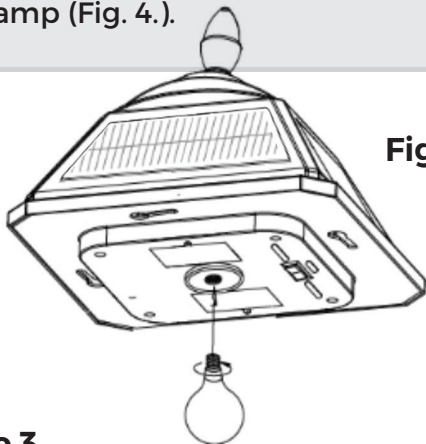


Fig. 5

Replacing the Solar LED Bulb

The Solar LED Bulb is designed to last up to 10 years, however if it is not working, or if you want to use a different color temperature bulb, you can replace it with a new GAMA SONIC Solar LED Bulb.

1. Detach the upper part of the lamp as shown in Fig. 1 by turning it counterclockwise.
2. Make sure the operation switch is in the OFF position.
3. Remove the existing bulb by turning it counterclockwise Fig 5.
4. Install the new GS Solar LED Bulb by turning into the bulb socket clockwise.
5. Reassemble the unit by reversing the above procedure

Charging & Duration Chart

Charging Time	Duration High Mode	Duration Low Mode
3 Hours	Approx. 10 hours	Approx. 20 hours
6 Hours	Approx. 20 hours	Approx. 40 hours



Replacing the Batteries

Replacement batteries are available at www.gamasonic.com or via our Toll free number: +1-800-835-4113

1. Detach the upper part of the lamp as shown in Fig. 6 by turning it counterclockwise.
2. Make sure the operation switch is in the OFF position.
3. Release the battery compartment's screw located on the silver reflector and remove the old battery pack. Make sure the new batteries are high quality - 2 x Li-Ion Battery Pack (3.2 Volt / 3,000mA) (Fig. 2).
4. Install the new batteries into the battery compartment.
5. Reassemble the unit by reversing the above procedure.



WARNING: Do not dispose of Li-Ion battery in the regular trash, municipal waste stream or by fire as batteries may leak or explode. Do not open, short circuit, or mutilate batteries as injury may occur. Preserve our environment by recycling Li-Ion batteries or disposing of them in accordance with local, state and federal regulations. Do not mix old and new batteries.

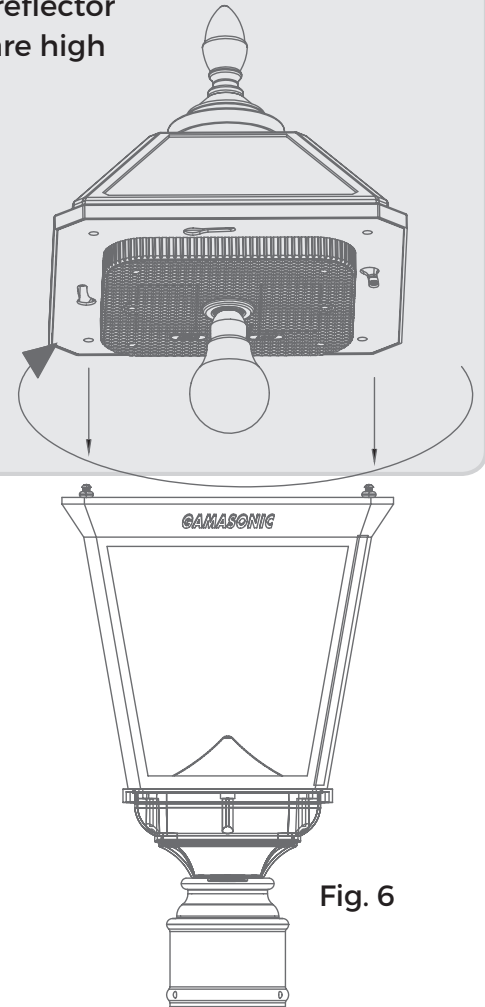


Fig. 6

Maintenance

Clean the solar module regularly with a damp towel to guarantee optimum performance of the solar panel. Do not use any type of solvent for cleaning and be careful not to put too much pressure on the module while cleaning.

Trouble Shooting

If your solar charged light does not come on at dusk despite observance of all the instructions, please try the following steps:

1. Make sure that the solar light is not being affected by any other light source (i.e street lights).
2. Ensure the solar light is not positioned in the shade during the day.
3. Make sure the switch in the lamp head is in the "ON" position.
4. Check that the batteries are installed correctly.
5. Check that the GS Solar LED Light Bulb is installed correctly.

NOTE: The performance of the solar light will vary with the time of year. It will deliver longer duration when it has had a full day in the sun rather than a day in overcast weather.



WINTERTIME TIPS: Keep snow and debris cleaned off the solar panels so the batteries can recharge. If the lights are covered with snow for an extended period of time, after the snow melts, allow all the batteries to charge in full, direct sunlight for at least 6 hours to their maximum capacity.

WARNING: Please keep out of reach of children.

