

FRAMED MIRROR

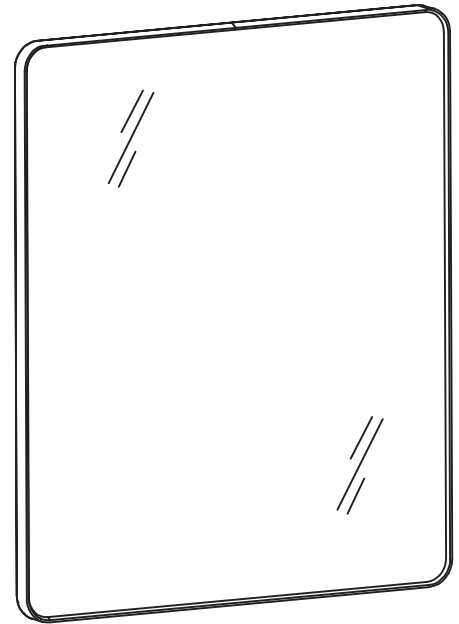


RECTANGLE

SKU: F1MR2432/2436/3036/3636/4032/4836/5532/6028

Colors/Finishes: Matte Black(MB),White(WT),Brushed Gold(BG)

Nominal Dimension: 24W*1.5D*32H inches 24W*1.5D*36H inches
30W*1.5D*36H inches 36W*1.5D*36H inches
40W*1.5D*32H inches 48W*1.5D*36H inches
55W*1.5D*32H inches 60W*1.5D*28H inches

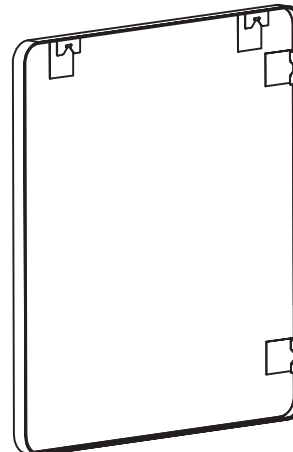
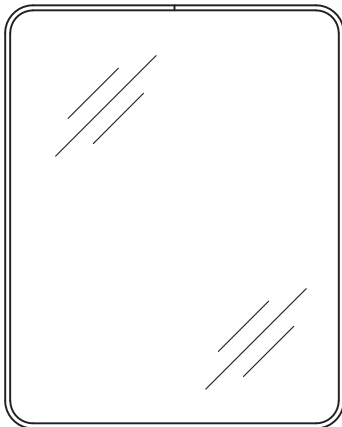


FEATURES:

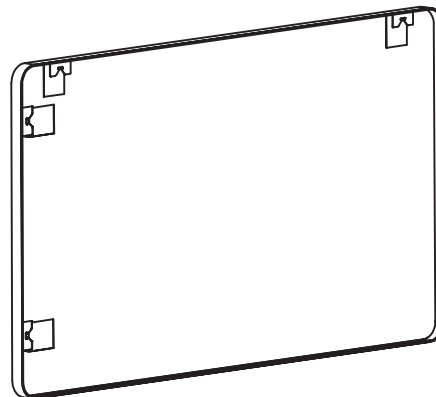
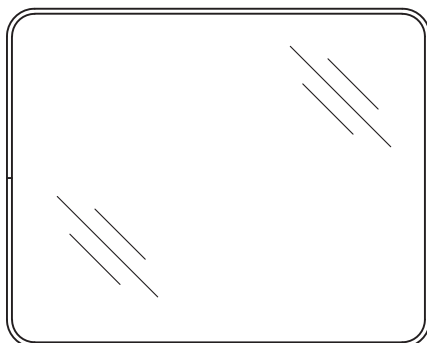
- Durable aluminum frame
- Modern sloping edge design
- Mirror hangs vertically or horizontally
- Long lasting color finish

PRODUCT DIAGRAMS:

Vertical Assembly



Horizontal Assembly



All dimensions and specifications are nominal and may vary. Use actual products for accuracy in critical situations.

Mirror Installation

SUGGESTED TOOLS AND MATERIALS



Screwdriver



Level



Drill



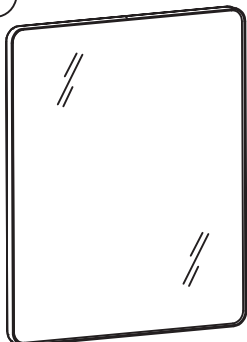
Tape Measure



Safety Glasses

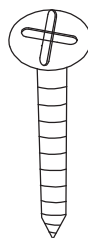
PARTS

①



MIRROR(1 PCS)

②



ST4.2*45(2 PCS)

③

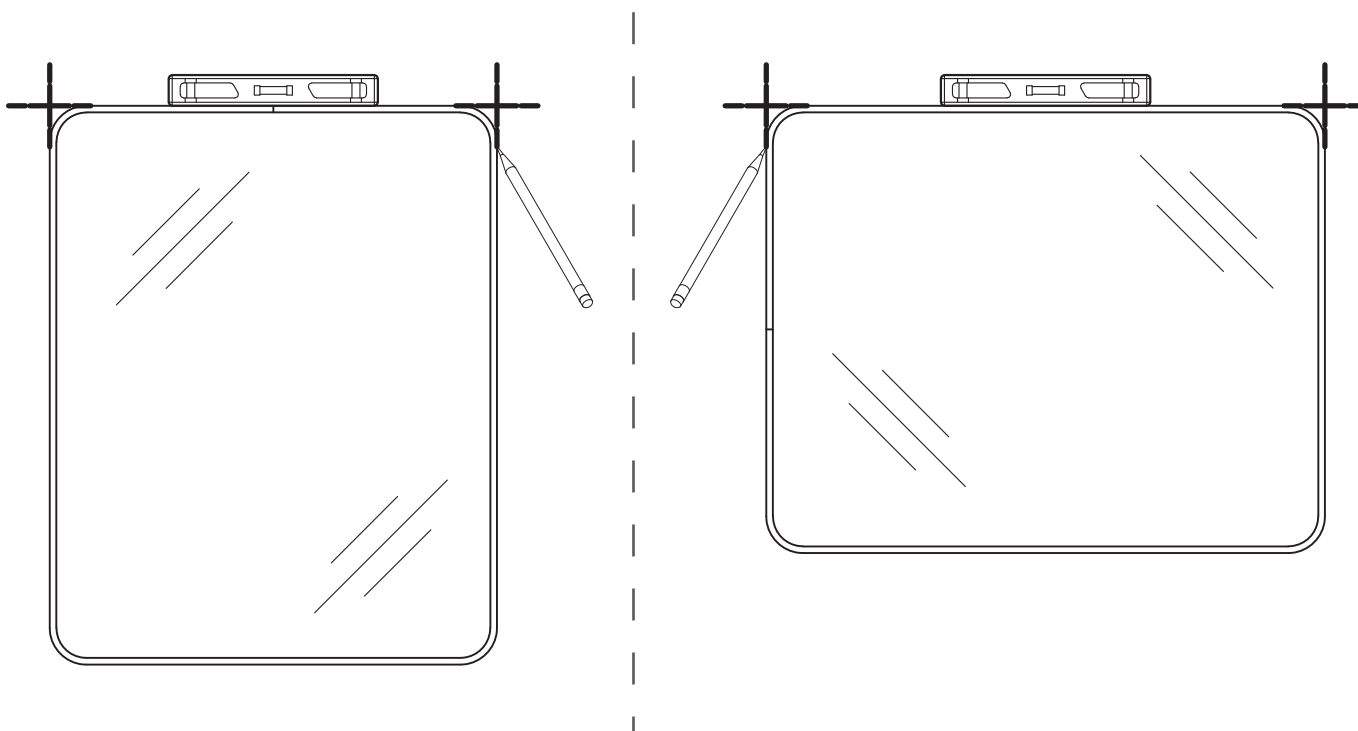


WALL PLUG(2 PCS)

INSTALLATION INSTRUCTIONS

STEP 1

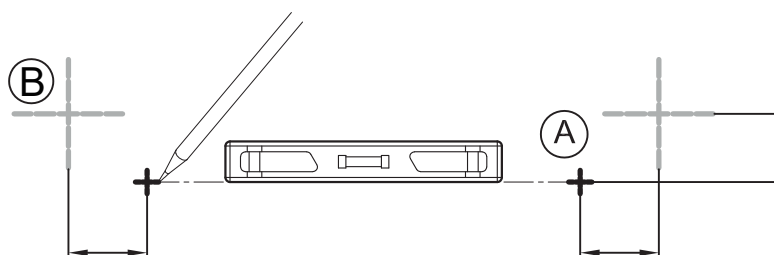
Select the desired position of the mirror. Level and mark the location.



STEP 2

Mark the drilling locations and ensure marking are leveled, based on vertical or horizontal mounting. See chart below.

Vertical Assembly	Horizontal Assembly
(A)	(B)



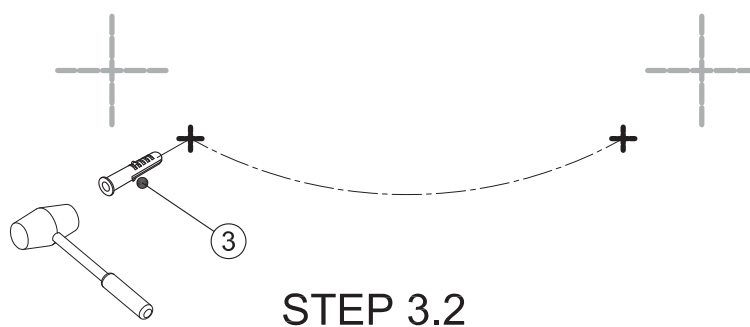
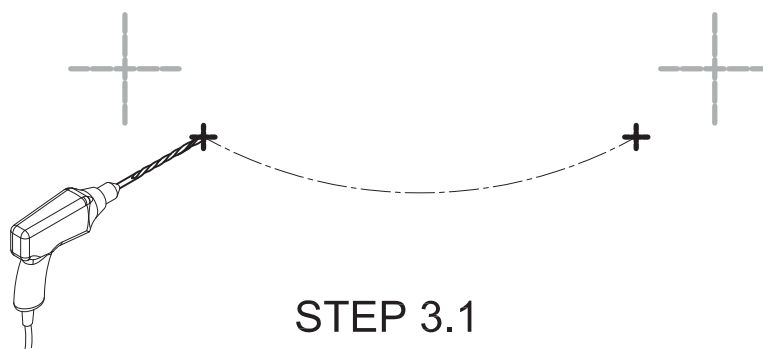
(A) for vertical

(B) for horizontal

STEP 3

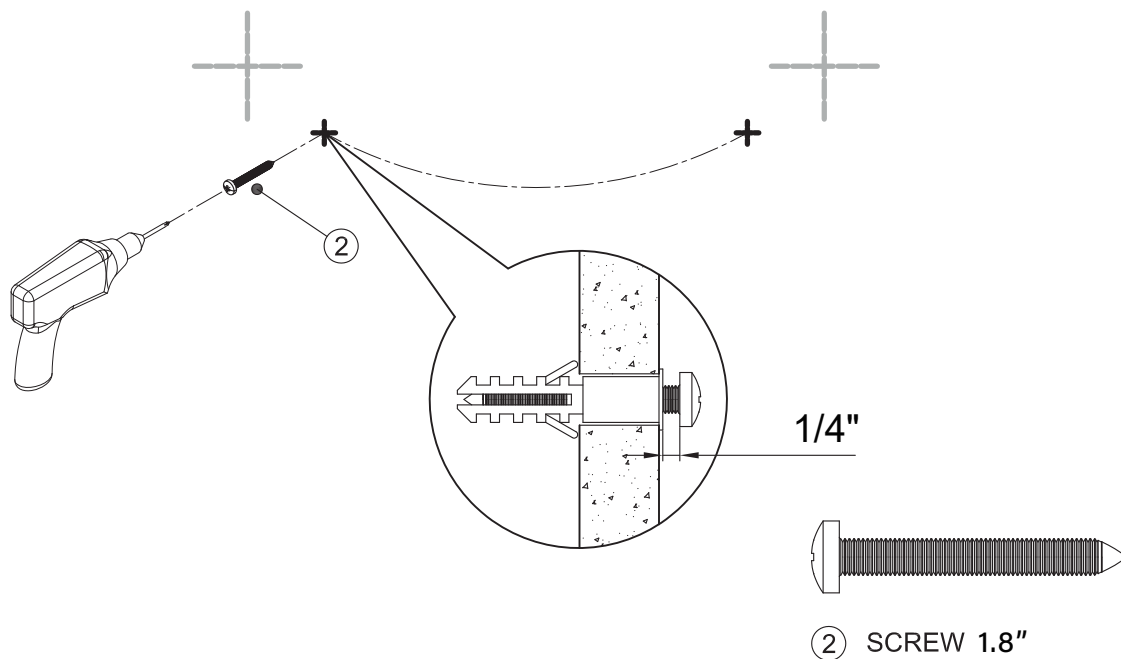
3.1 Drill holes about 2" deep at each of the marked locations.

3.2 Insert wall plugs (3).



STEP 4

Install Screw ② . Leave a gap of 1/4" between the head of the screw and the wall.



STEP 5

place the mirror against the wall and slide it down, as shown in Figure 2.

