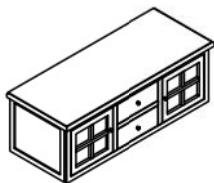


# ASSEMBLY INSTRUCTIONS

If you have any questions, please feel free to contact us.  
Email: [lowes.team@qualfurn.net](mailto:lowes.team@qualfurn.net)



(A) : 1 PC



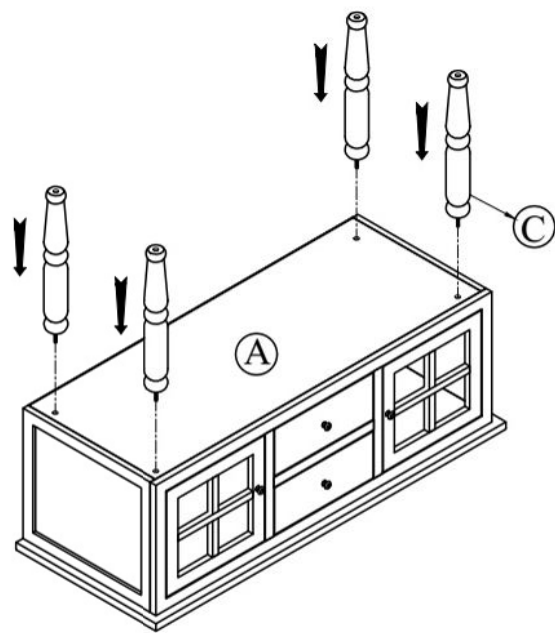
(B) : 1 PC



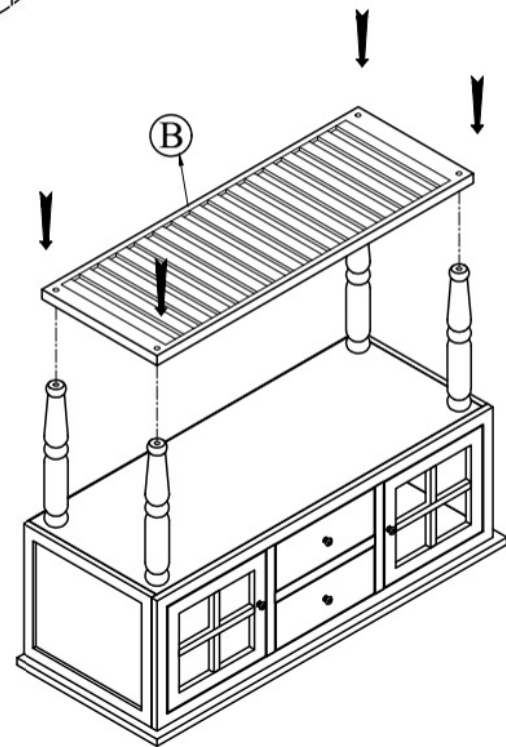
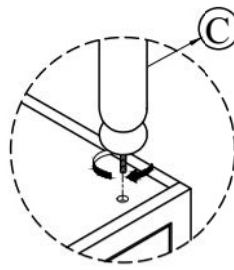
(C) : 4 PCS



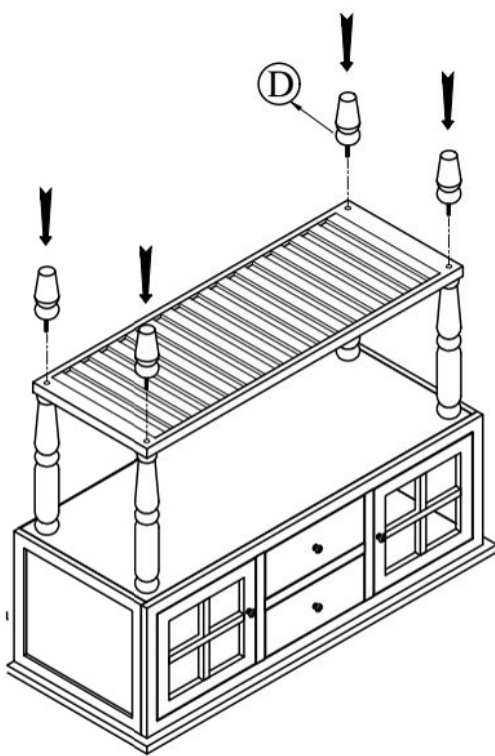
(D) : 4 PCS



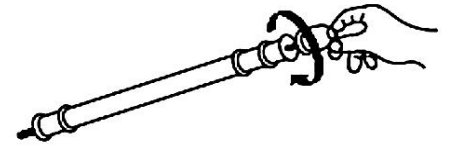
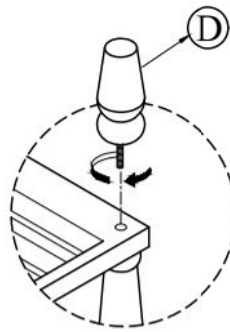
Step 1



Step 2



Step 3



We are use the hands to turn the base of the legs cabinet counterclockwise

