












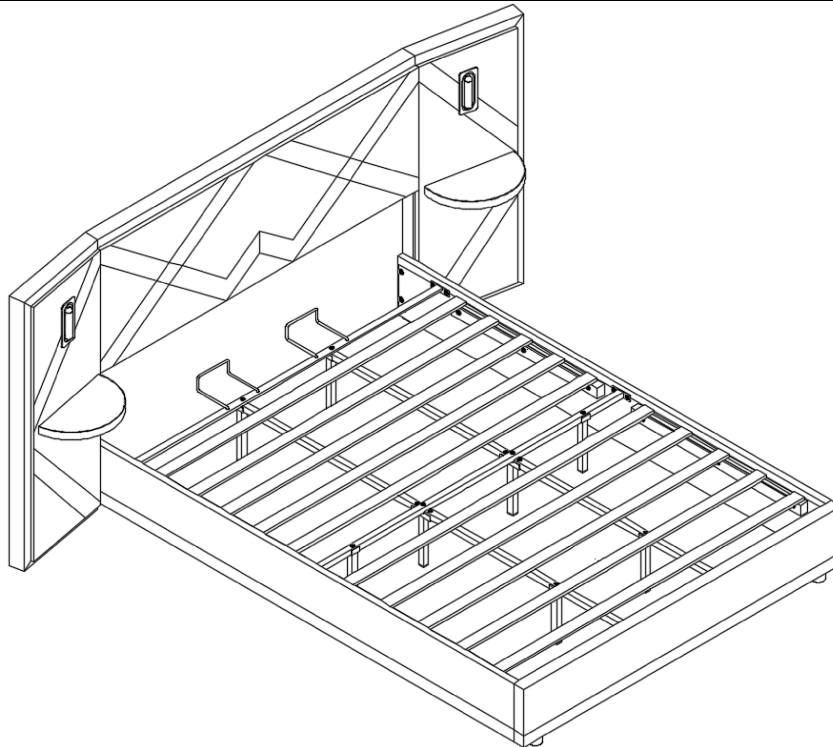
Assembly Instructions

Caution : You must read this before you proceed

Care & Maintenance

- ⊘  ● Not for commercial use. For residential use only.
 - ✓  ● Furniture may scratch floors. We recommend using furniture pads to protect your floors.
 - ⊘  ● Do not put hot items directly on furniture surface.
 - ⊘  ● Do not clean furniture with harsh cleansers or polish.
 - ⊘  ● Do not place furniture under direct sunlight.
 - ⊘  ● Do not place furniture near heating or cooling vents.
 - ⊘  ● Do not write on furniture without a padded barrier to protect the surface.
 - ⊘  ● Do not place furniture outside . For indoor use only.
 - ⊘  ● Stains may be removed with mild soap solution and damp cloth.
 - ⊘  ● Children should not climb or jump on the furniture.
- ✓  ● Dust and pick-up spills using a clean, non-colored, lint-free cloth.

BED

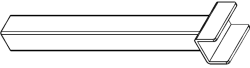
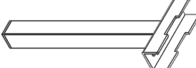
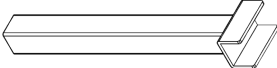

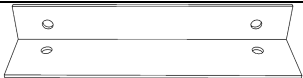




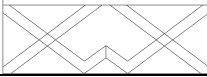
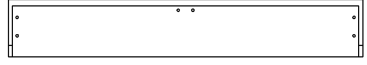
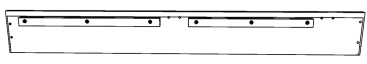
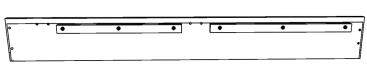
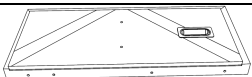
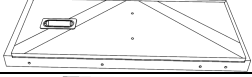



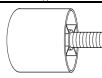


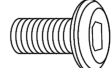



NOTE : This Bed is NOT a TOY.

Keep your child / children at bay during the assembly process.

The Daybed is **HEAVY**.

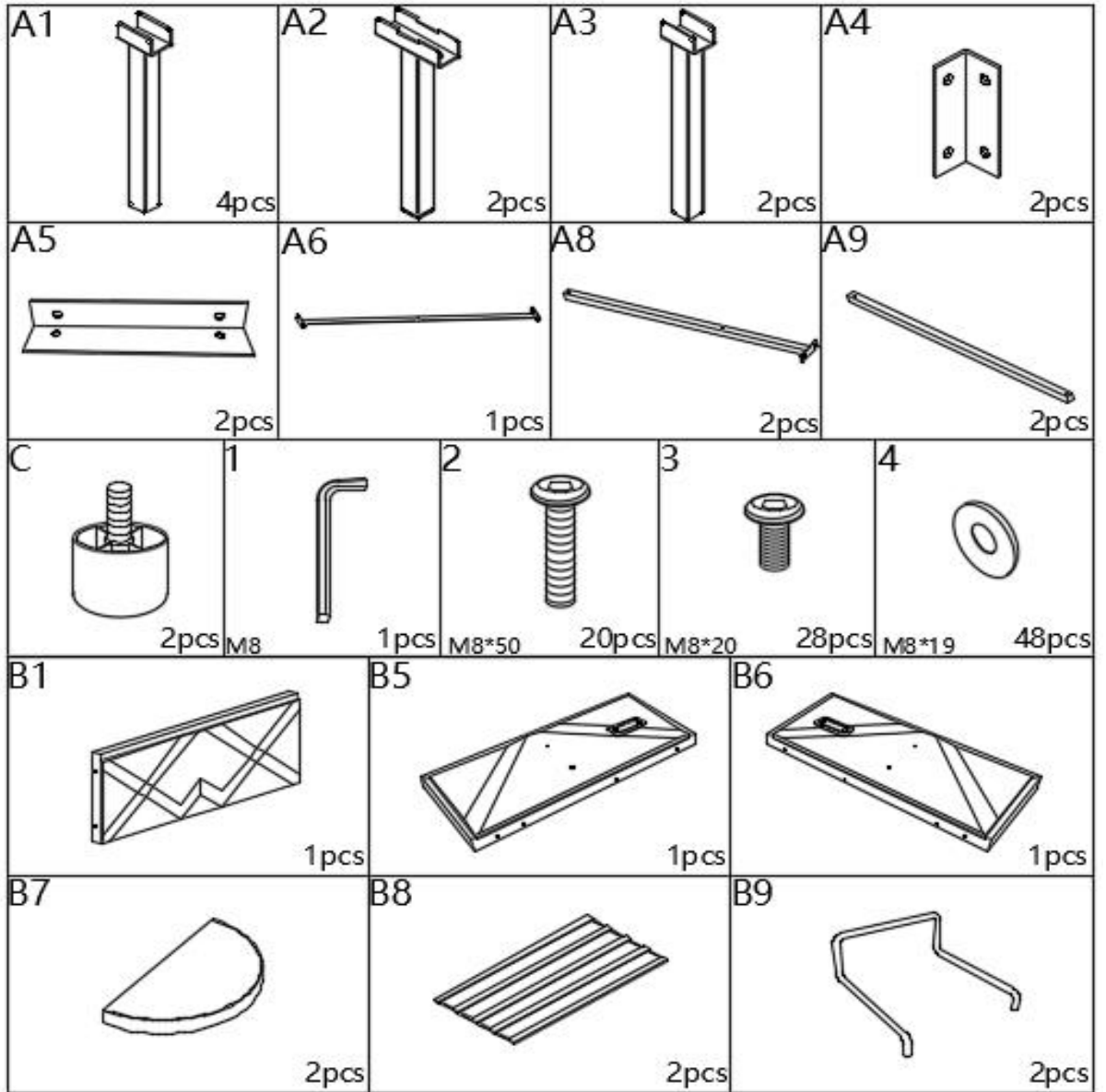
To prevent injury to yourself or damage to the product a minimum of two adults are required whenever moving or lifting the product.

Parts List			
Label	Picture	Description	QTY
A1		Front and back support foot	4
A2		Middle support foot	2
A3		Side support foot	2
A4		Angle iron	2
A5		Angle iron	2
A6		Bedside connecting rod	1
A7		Middle connecting rod	1
A8		Bed tail connecting rod	2
A9		Center connecting rod	2
B1		Headboard	1
B2		Footboard	1
B3		Left side panel	1
B4		Right side panel	1
B5		Right wing panel	1
B6		Left wing panel	1
B7		Bed screen desktop board	2
B8		Slat	2
B9		Angle iron	1
C		Plastic feet	2
Hardware			
Label	Picture	Description	QTY
①		Allen Wrench	1
②		Bolt(M8 x 50mm)	20
③		Bolt(M8 x 20mm)	28
④		Washer	48

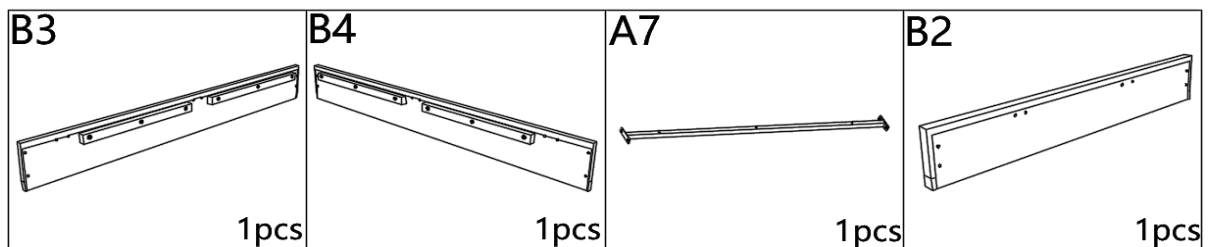
Assembly Preparation

Before
Beginning
Assembly:

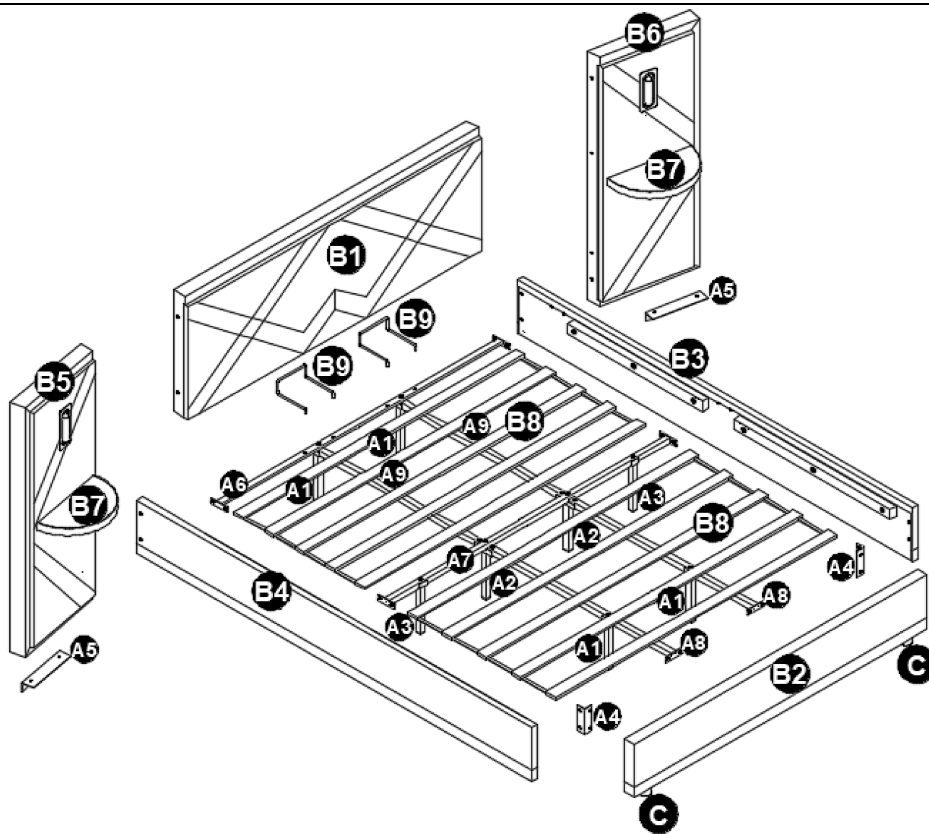
N761P331862



N761P331863


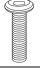



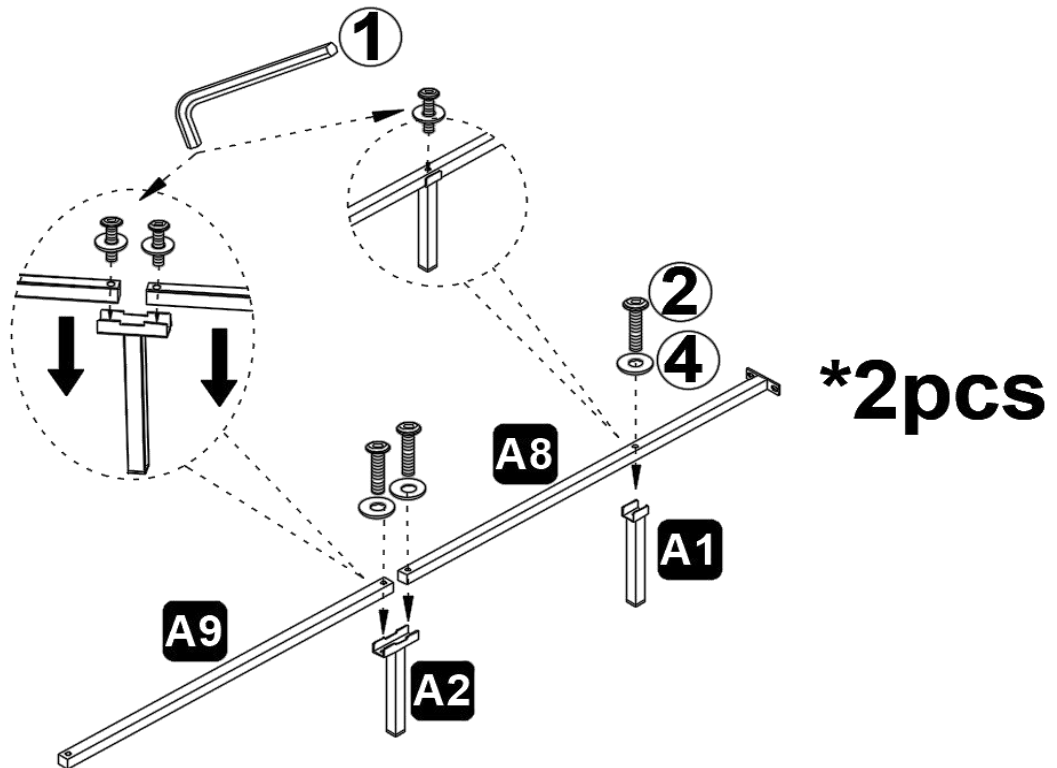
- Read instructions, cover to cover-
- Have 2 adults on hand for assembly-
- Do not assemble on flooring or carpet-
- Assemble on a clean non-marring surface (packing foam)-
- Save all packaging until finished-



This Bed has multiple parts and may require up to 60 minutes to assemble.
 To give you an overview of the Bed parts, the above picture is to help you put the various Bed parts into perspective.
 Please read through the instructions below to familiarise yourself with the parts and steps before assembly.


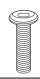

Step 1

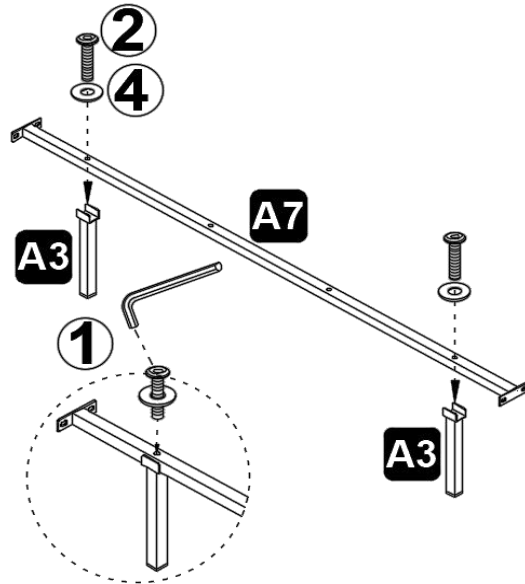
- ①  X1
- ②  X6
- ④  X6



Use Allen wrench (1), screw (2), gasket (4) to fix the front and rear connecting rods (A9&A8) to the metal foot (A2&A1) as shown in the figure.




Step 2

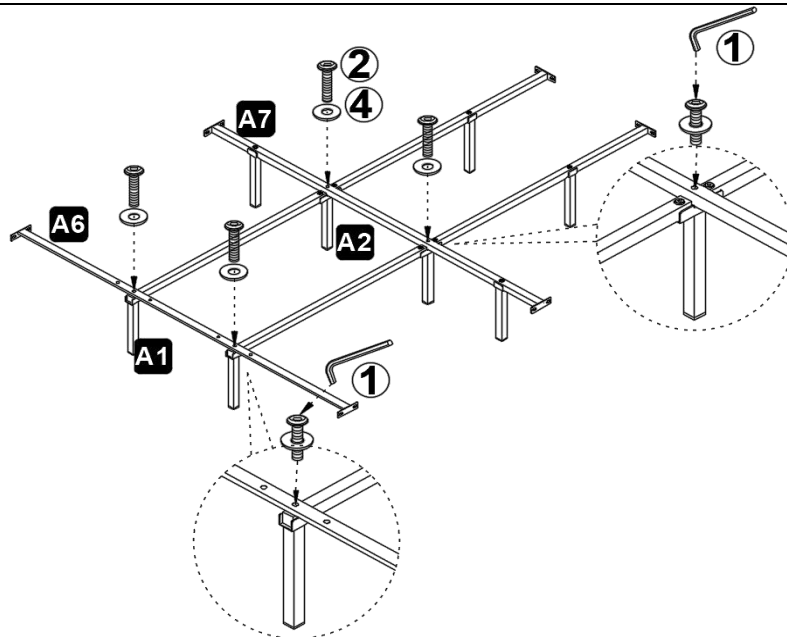
- ①  X1
- ②  X2
- ④  X2



Use Allen wrench (1), screw (2) and gasket (4) to fix the middle connecting rod (A7) on the side middle foot (A3) as shown in the figure.

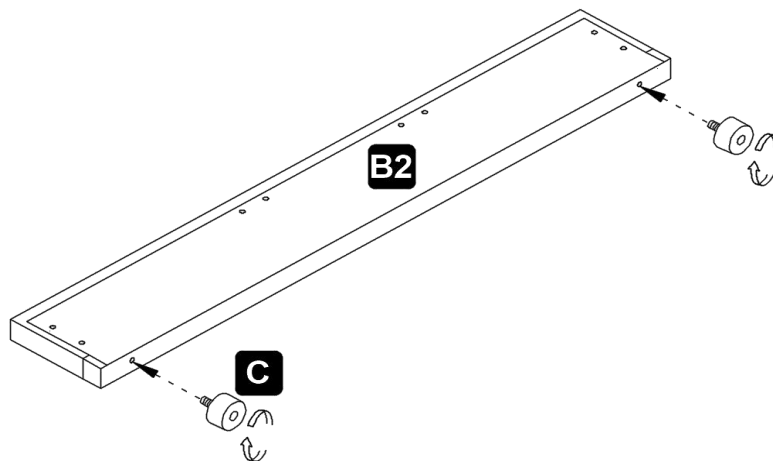
Step 3

- ①  X1
- ②  X4
- ④  X4






Use the Allen wrench (1), screw (2), gasket (4) to fix the front connecting rod (A6) to the front middle foot (A1) as shown in the figure, and the middle connecting rod (A7) to the middle foot (A2).

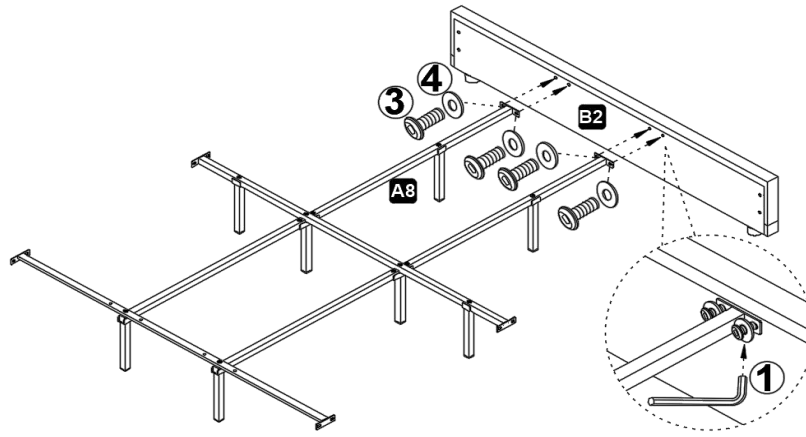
Step 4



The plastic foot (C) is fixed clockwise on the corresponding position at the end of the bed (B2).




Step 5

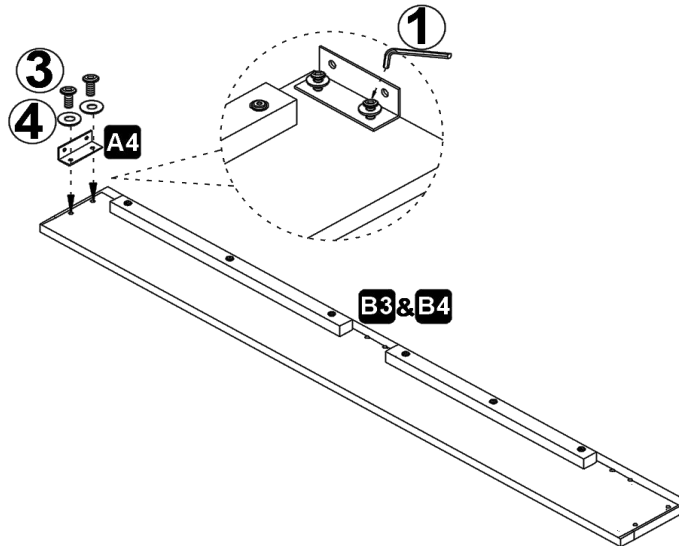
- ①  X1
- ③  X4
- ④  X4



Use Allen wrench (1), screw (3), gasket (4) to fix the assembled rear connecting rod (A8) to the end of the bed (B2).




Step 6

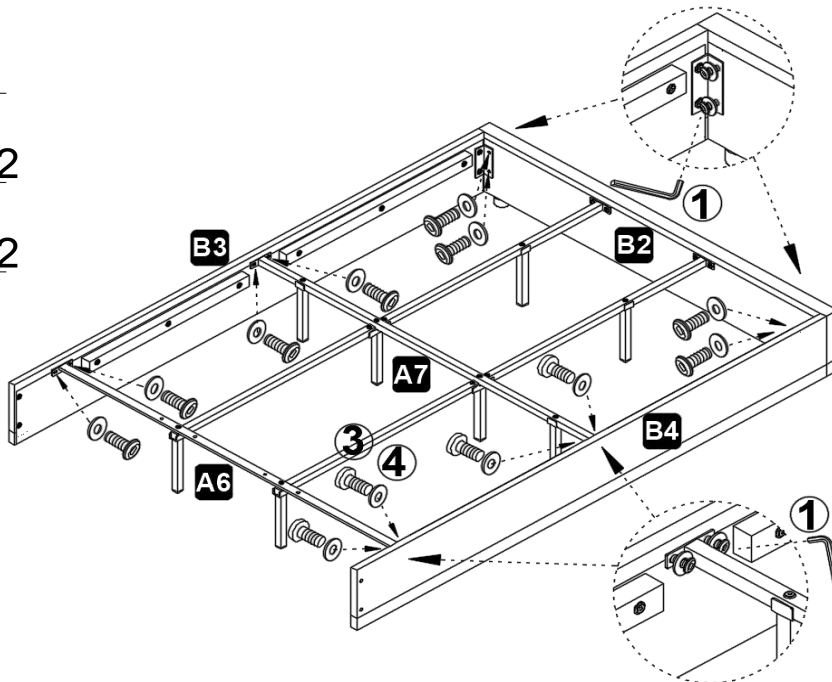
- ①  X1
- ③  X4
- ④  X4



Use Allen wrench (1), bolt (3) and spacer (4) to secure the angle iron (A4) to the bed side panel (B3&B4).




Step 7

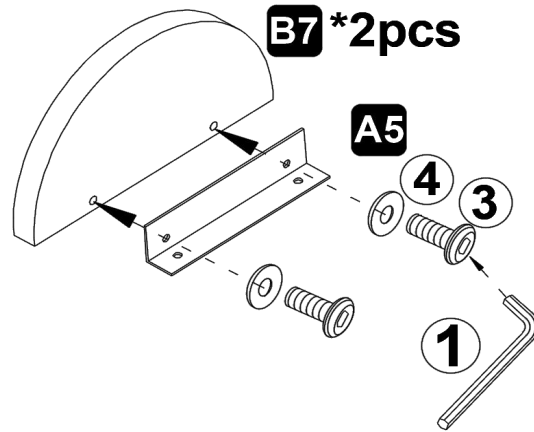
- ①  X1
- ③  X12
- ④  X12



Use Allen wrench (1), screw (2) and spacer (4) to fix the bed side (B3&B4) on the tail of the bed (B2), and fix the left and right ends of the connecting rod (A6&A7) on the bed side (B3&B4).




Step 8

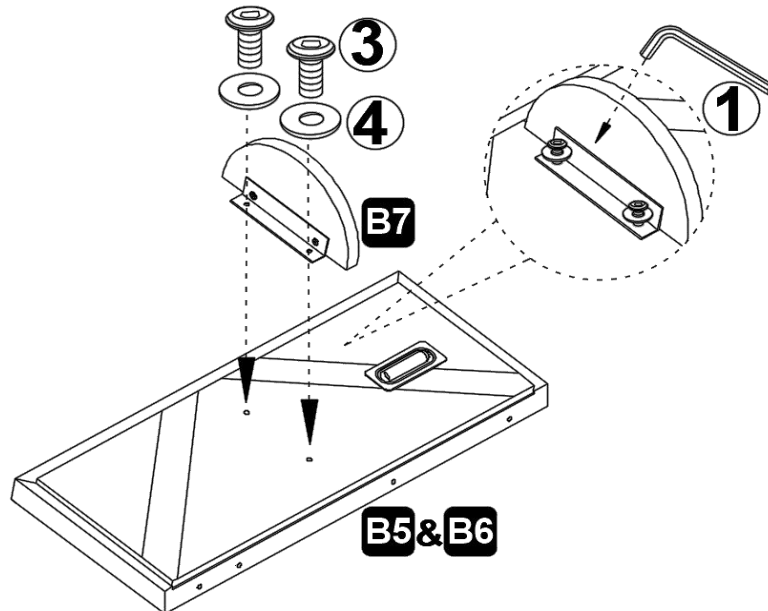
- ①  X1
- ③  X4
- ④  X4



Use the Allen wrench (1), bolt (3) and spacer (4) to secure the angle iron (A5) to the table board (B7).




Step 9

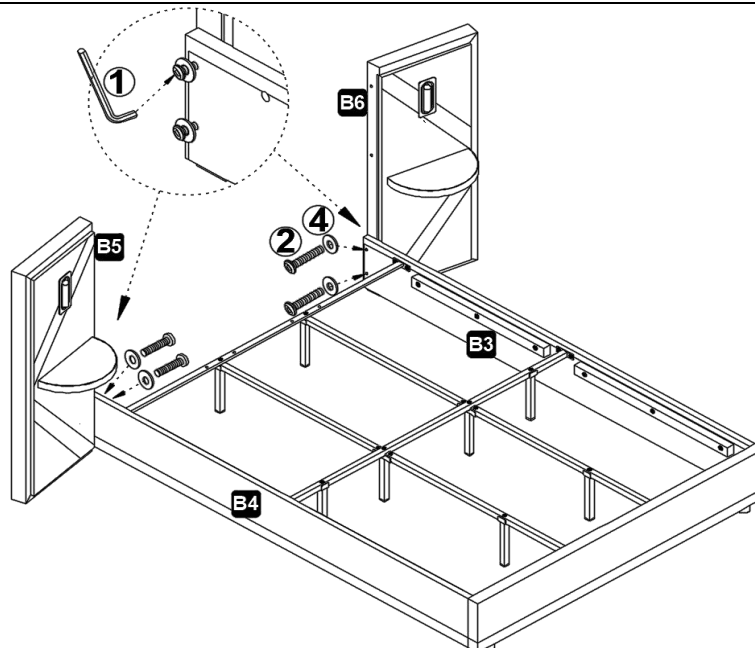
- ①  X1
- ③  X4
- ④  X4



Use the Allen wrench (1), bolt (3) and shim (4) to secure the table board (B7) to the bed screen (B5&B6).


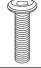

Step 10

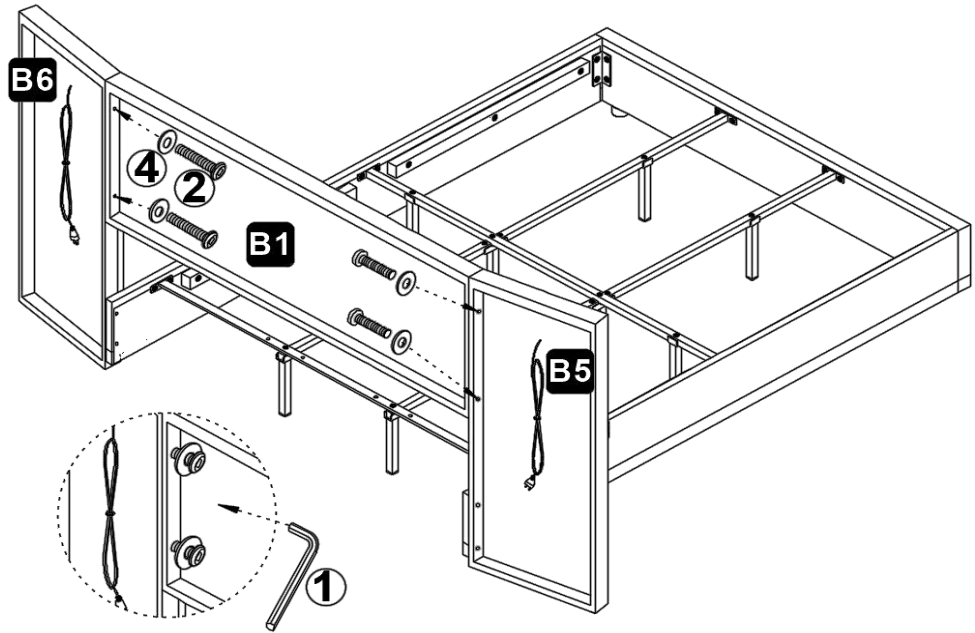
- ①  X1
- ②  X4
- ④  X4



Use Allen wrench (1), screw (2), gasket (4) to fix the bed screen (B5&B6) on the bed side (B3&B4).

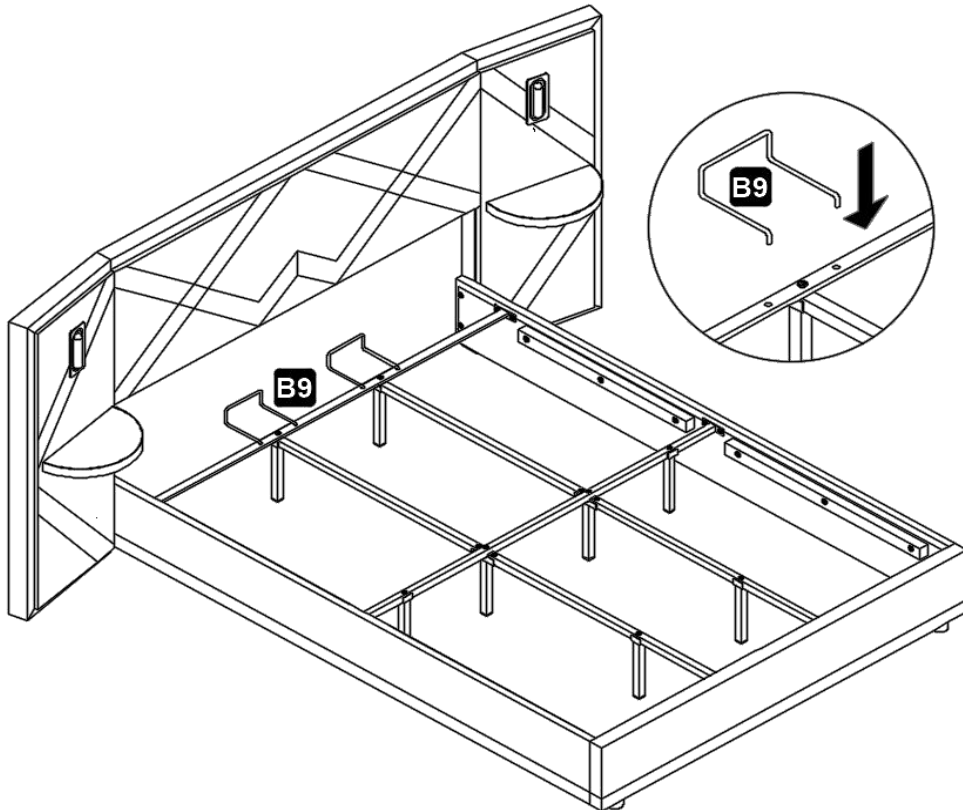
Step 11

- ①  X1
- ②  X4
- ④  X4

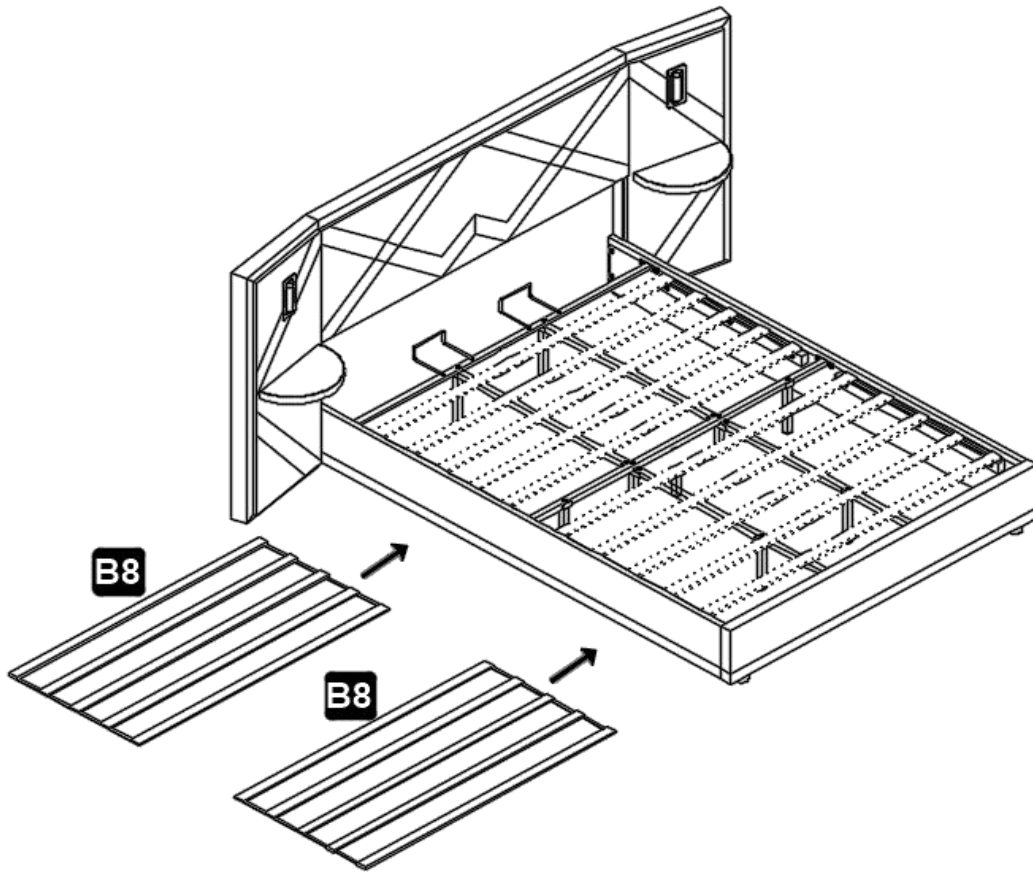


Align the hole of the head of the bed (B1) with the hole of the bed screen (B5&B6), and then fix it with Allen wrench (1), screw (2), gasket (4).

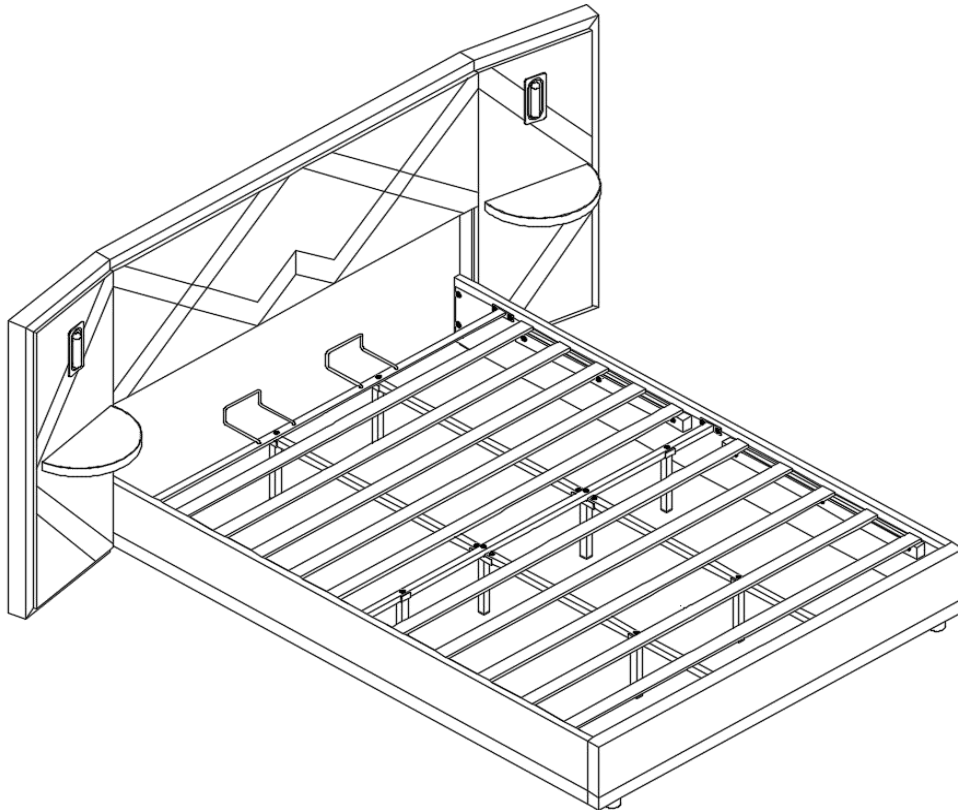
Step 12



Insert the angle iron (B9) diagonally into the corresponding hole and place it straight.



Place the bed frame strip (B8) on the assembled bed frame and paste the magic strip into place.



Your bed is ready for use.

Note: After assembly and before using the bed, inspect to make sure all parts are properly connected and securely fastened.