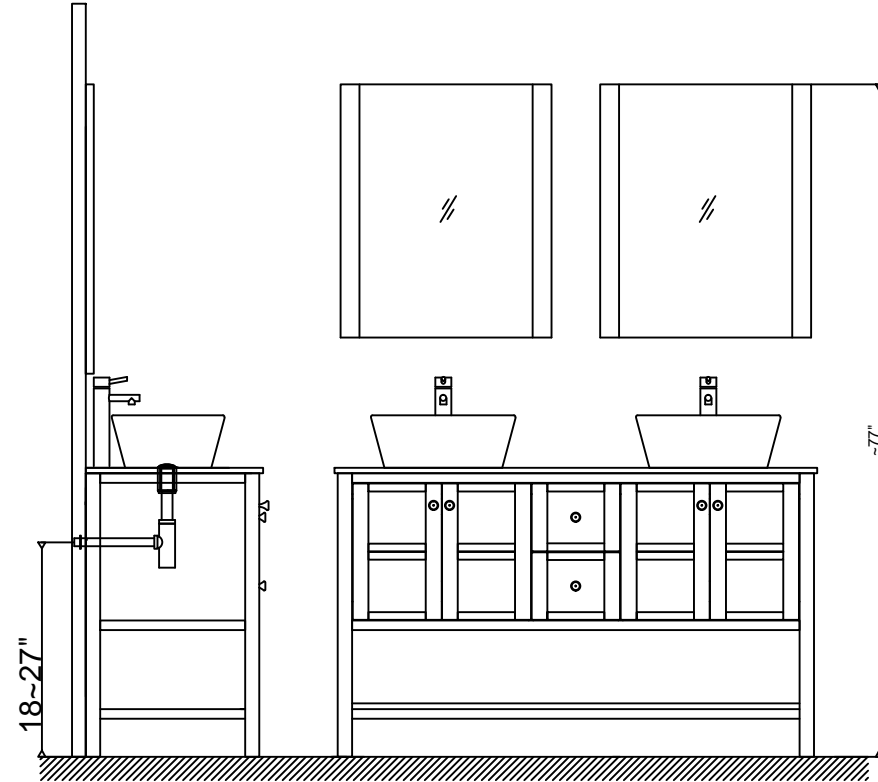


INSTALLATION INSTRUCTIONS

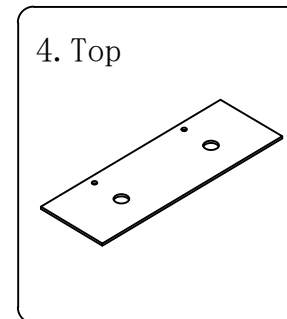
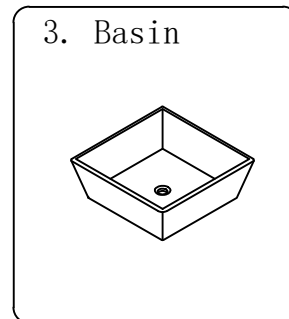
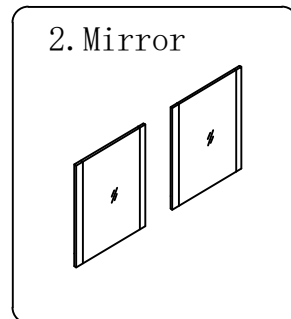
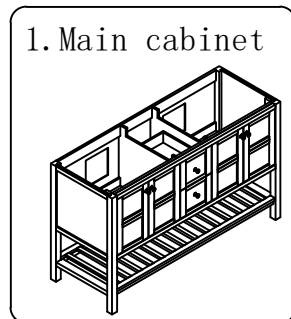
Prior to installation please check received items against the Packing List Please report any missing items to your local dealer immediately.

Protect all surfaces from sharp objects, high heat sources, direct prolonged sunlight and chemical hazards .

Professional installation recommended !

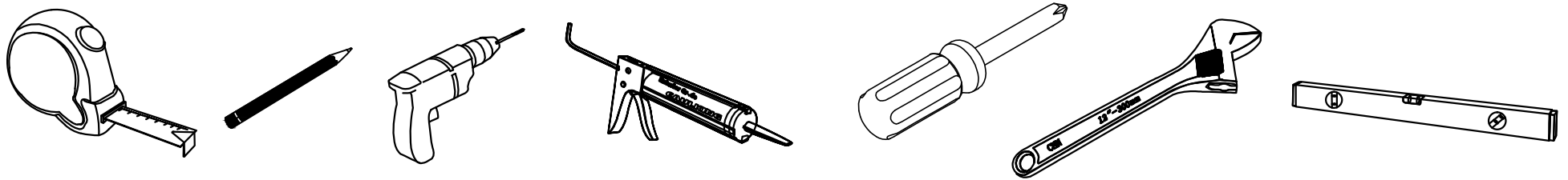


PACKING LIST

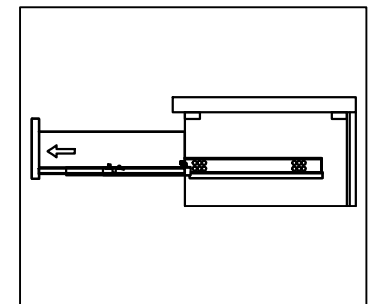
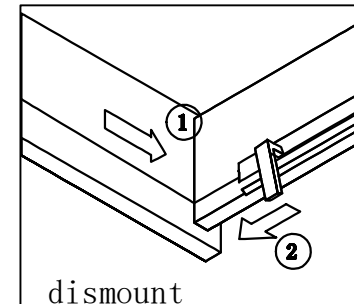
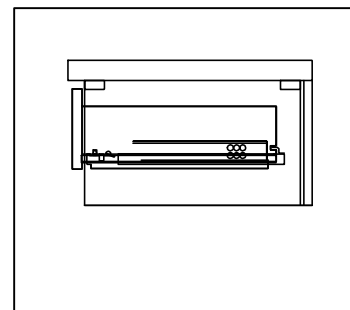
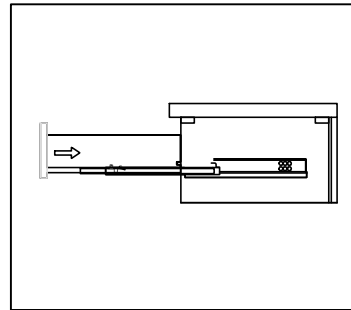
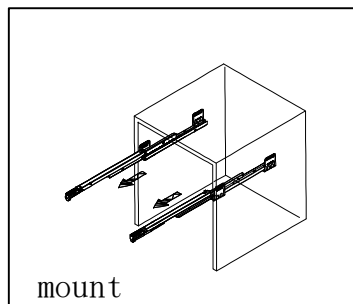


INSTALLATION INSTRUCTIONS

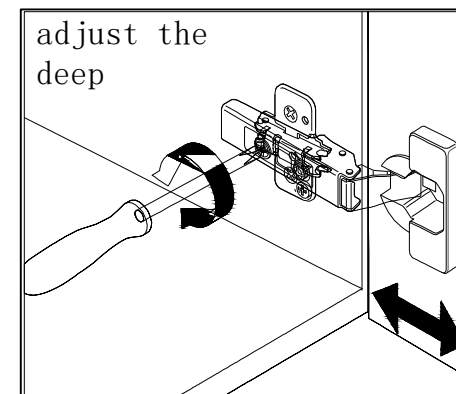
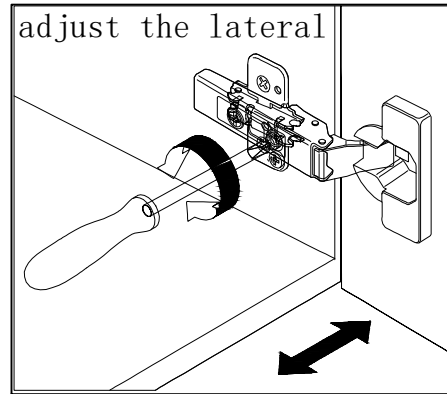
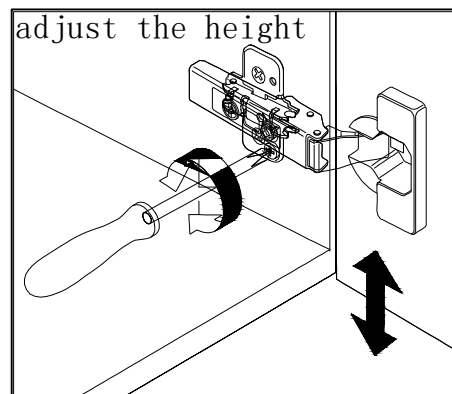
REQUIRED TOOLS



DRAWER SLIDER ATTACHMENT AND DETACHMENT



INSTALLATION AND ADJUSTMENT OF HINGE



INSTALLATION INSTRUCTIONS

