

FRIGIDAIRE GALLERY®

FGHN2868T F/P/E

FRENCH DOOR REFRIGERATOR

27.6 CU. FT. STANDARD-DEPTH

Smudge-Proof™
Stainless Steel



AVAILABLE COLORS



PRODUCT DIMENSIONS

| | |
|-------------------------------------|---------|
| Height (Including Hinges & Rollers) | 69-7/8" |
| Width (Doors) | 36" |
| Depth (Including Door) | 33-3/8" |

MORE EASY-TO-USE FEATURES

Even Temp™

Even temperature throughout the refrigerator.

Adjustable Interior Storage

Over 100 ways to organize and customize your refrigerator.

Multi-Level LED Lighting

Corner-to-corner LED lighting throughout the refrigerator for better visibility.

Store-More™ Shelves

More space to store your food with edge-to-edge shelves.

Full-Width Cool-Zone™ Drawer

A large capacity Cool Zone™ drawer extends completely and provides space to easily store anything from sheet cakes and large platters to snacks and juice boxes.

Express-Select® Controls

Easily select options with the touch of a button.

Freezer Basket with Divider

Deep freezer storage with adjustable divider keeps food organized and accessible.

Effortless™ Glide Freezer Drawers

Drawers glide out smoothly and fully extend, giving you easy access to what's inside.

Quick Freeze

Quickly freeze foods so they stay at their freshest.

Store-More™ Bins

Our bins are designed to store more, so you can fit gallon size beverages.

CERTIFICATIONS

ENERGY STAR®



Star-K® Certified (*Sabbath Mode*)

SIGNATURE FEATURES



Crisp Seal™

Sealed humidity-controlled crispers maintain moisture for market-fresh produce.



Effortless™ Glide Crisper Drawers

Our humidity-controlled crisper drawers can be configured any number of ways, either side-by-side or stacked on top of each other so you can organize your refrigerator the way you want.



PureSource Ultra® II Ice & Water Filtration

Discover how our genuine filtration works to keep your water cleaner. PureSource Ultra® II Water Filters remove 99.3% of lead and 99.9% of cysts from your household water.



PureAir Ultra® II Filters

Our PureAir Ultra® II air filters effortlessly keep the air in your refrigerator fresh.

FGHN2868T F/P/E FRENCH DOOR REFRIGERATOR

27.6 CU. FT. STANDARD-DEPTH

FRIGIDAIRE
GALLERY

FEATURES

| | |
|-------------------------|---|
| Door Design | Tall Soft-Arc |
| Door Handle Design | Stainless (F), Color-Coordinated (P/E) |
| Cabinet Finish | Grey (F), Color-Coordinated (P/E) |
| Door Stops/Door Closers | Yes/Yes |
| Door Hinge Covers | Hidden |
| Rollers - Front/Rear | Adjustable/Yes |
| Water Filter Location | Top-Right Fresh Food Section |
| Sound Package | |

CONTROL FEATURES

| | |
|-------------------------------------|------------------------|
| Controls | Express-Select* |
| Control Panel Location | Left Door, Inside Edge |
| Number of Control Buttons | 11 |
| Ice Option/Freeze Option | Quick Ice/Quick Freeze |
| Display On/Off Option | |
| Lock | |
| Temp/Door Ajar/Power Failure Alerts | Yes/Yes/Yes |
| Water Filter Change Indicator Light | Yes |
| Air Filter Change Indicator Light | Yes |

REFRIGERATOR FEATURES

| | |
|-------------------------------------|--------------------------|
| Lighting | Multi-Level Designer LED |
| Water Filter Type | PureSource Ultra® II |
| Air Filter Type | PureAir Ultra® II |
| Quarter-Width Fixed Shelves | |
| Half-Width Fixed Shelves | 4 Store-More™ |
| Quarter-Width Sliding Shelves | |
| Half-Width Sliding Shelves | |
| Cantilever Shelves | Yes |
| Store-More™ Full-Width Drawer | 1 Cool Zone™ |
| Hanging Wine Rack/Can Dispenser | |
| Crisper Drawer/Humidity Controls | 2 Clear/2 |
| Store-More™ Fixed Door Bins | 2 Clear |
| 2-Liter Fixed Door Bins | |
| Gallon Adjustable Door Bins | 4 Clear |
| 2-Liter Adjustable Door Bins | 2 Clear |
| Dispenser Bin | |
| Non-Slip Bin Liner/Bottle Retainers | Yes/No |

FREEZER FEATURES

| | |
|------------------------------------|---------------------|
| Self-Closing Pull-Out Drawer | Yes |
| Sliding Full-Width Freezer Baskets | 2 Effortless™ Glide |
| Basket Dividers | 1 (Bottom Basket) |
| Lighting | LED |
| Ice Maker | Yes |

CERTIFICATIONS

| | |
|----------------------------------|-----|
| ENERGY STAR® | Yes |
| Star-K® Certified (Sabbath Mode) | Yes |

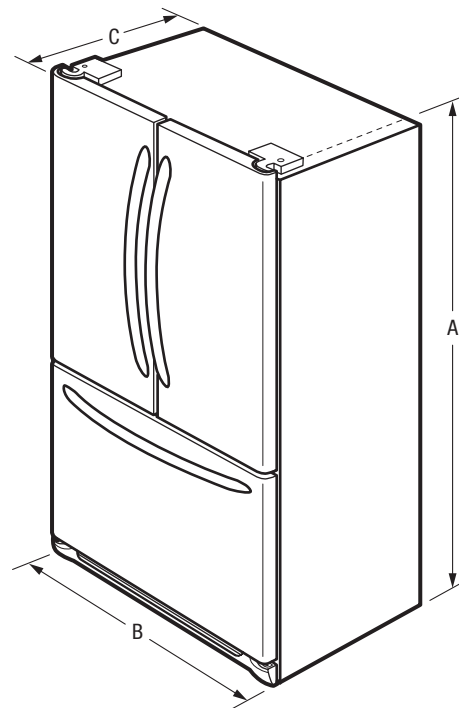
SPECIFICATIONS

| | |
|---|-------------------|
| Total Capacity (Cu. Ft.) | 27.6 |
| Refrigerator Capacity (Cu. Ft.) | 18.9 |
| Freezer Capacity (Cu. Ft.) | 8.7 |
| Power Cord Connection Location | Right Bottom Rear |
| Water Inlet Connection Location | Left Bottom Rear |
| Voltage Rating | 120V/60Hz |
| Connected Load (kW rating) @ 120 Volts ¹ | 1.02 |
| Amps @ 120 Volts | 8.5 |
| Minimum Circuit Required (Amps) | 15 |
| Shipping Weight (Approx.) | 365 Lbs. |

¹For use on adequately wired 120V, dedicated circuit having 2-wire service with a separate ground wire. Appliance must be grounded for safe operation.

PRODUCT DIMENSIONS

| | |
|---|---------------|
| A - Height (Including Hinges & Rollers) | 69-7/8" |
| B - Cabinet Width / Door Width | 35-7/8" / 36" |
| C - Depth (Including Door) | 33-3/8" |
| Depth with Door Open 90° | 47-3/8" |
| Depth with Drawer Fully Extended (Including Handle) | 55" |



Note: For planning purposes only. Always consult local and national electric, gas and plumbing codes. Refer to Product Installation Guide for detailed installation instructions on the web at frigidaire.com / frigidaire.ca.
Specifications subject to change. Accessories information available on the web at frigidaire.com / frigidaire.ca

FRIGIDAIRE

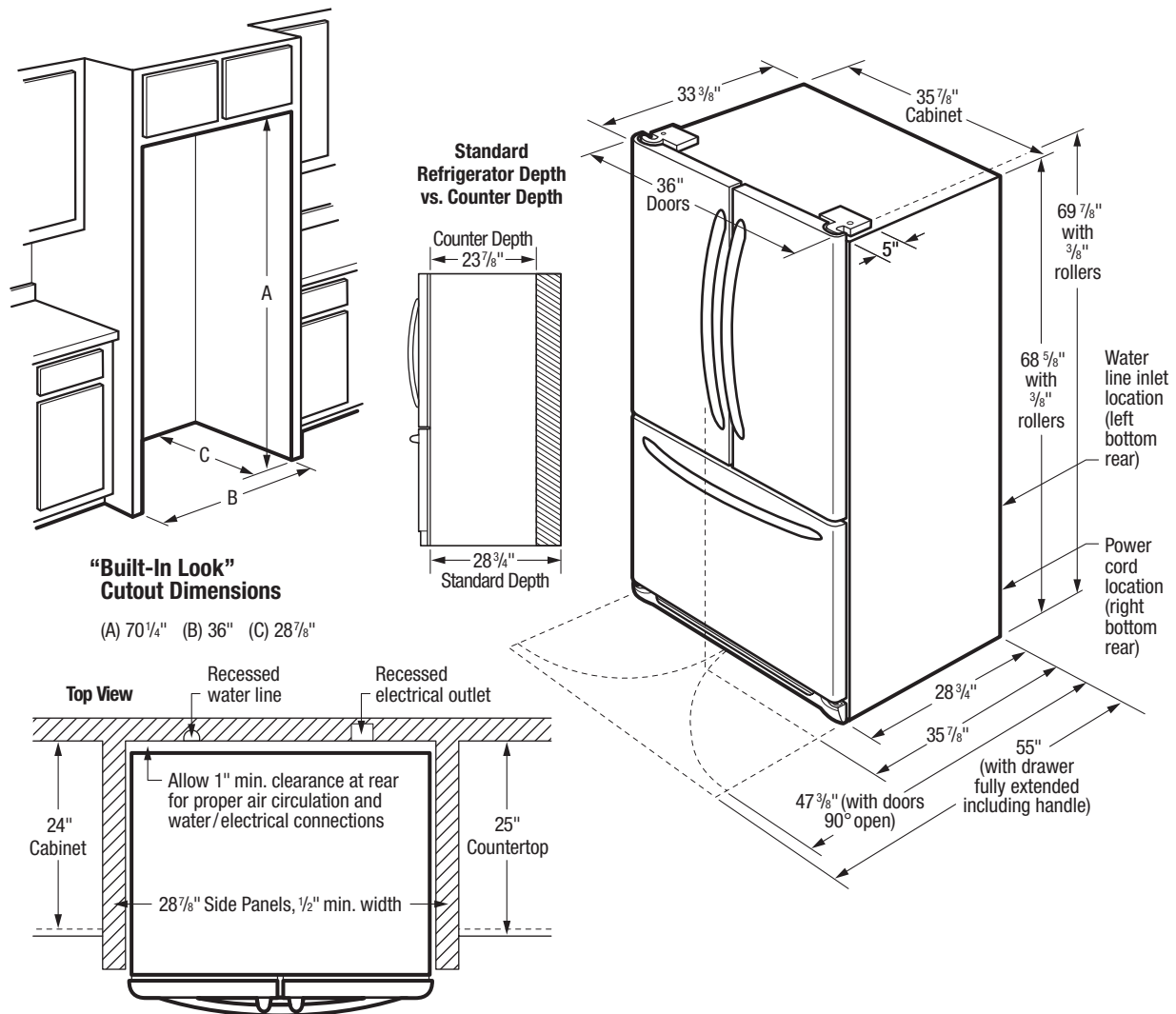
USA • 10200 David Taylor Drive • Charlotte, NC 28262 • 1-800-FRIGIDAIRE • frigidaire.com
CANADA • 5855 Terry Fox Way • Mississauga, ON L5V 3E4 • 1-800-265-8352 • frigidaire.ca

FGHN2868T 08/17
© 2017 Electrolux Home Products, Inc.

FGHN2868T F/P/E FRENCH DOOR REFRIGERATOR

27.6 CU. FT. STANDARD-DEPTH

FRIGIDAIRE
GALLERY



INSTALLATION SPECIFICATIONS

- Product Shipping Weight (approx.) - 365 Lbs.
- An electrical supply with grounded three-prong receptacle is required. The power supply circuit must be installed in accordance with current edition of National Electrical Code (NFPA 70) and local codes & ordinances.
- Voltage Rating - 120V/60 Hz
- Connected Load (kW Rating)@120 Volts = 1.02 kW
- Amps @ 120 Volts = 8.5 Amps
- Always consult local and national electric & plumbing codes.
- Floor should be level surface of hard material, capable of supporting fully loaded refrigerator.
- When installing refrigerator adjacent to wall, cabinet or other appliance that extends beyond front edge of unit, 20" minimum clearance recommended to allow for optimum 120° to 180° door swing, providing complete drawer/crisper access and removal. (*Absolute 4-1/2" minimum clearance will ONLY allow for 90° door swing which will provide drawer/crisper access with restricted removal.*)
- To ensure optimum performance, avoid installing in direct sunlight or close proximity to range, dishwasher or other heat source.

- For proper ventilation, front grille MUST remain unobstructed.
- Recess electrical outlet when possible.
- Water recess on rear wall recommended to prevent water line damage.
- Water Pressure - Cold water line must provide between 30 and 100 pounds per square inch (psi).
- Copper tubing with 1/4" O.D. recommended for water supply line with length equal to distance from rear of unit to household water supply line plus 7 additional feet. Optional Water Supply Installation Kits available.
- Adjustable front rollers to assist with door alignment.

"BUILT-IN LOOK" SPECIFICATIONS

- Minimum opening of 70-1/4"H x 36"W x 28-7/8"D required to allow for ease of installation, proper air circulation, and plumbing/electrical connections.
- Remove all wall/floor molding prior to installation.



FRIGIDAIRE

USA • 10200 David Taylor Drive • Charlotte, NC 28262 • 1-800-FRIGIDAIRE • frigidare.com
CANADA • 5855 Terry Fox Way • Mississauga, ON L5V 3E4 • 1-800-265-8352 • frigidare.ca

Note: For planning purposes only. Always consult local and national electric, gas and plumbing codes. Refer to Product Installation Guide for detailed installation instructions on the web at frigidare.com / frigidare.ca. Specifications subject to change. Accessories information available on the web at frigidare.com / frigidare.ca

FGHN2868T 08/17
© 2017 Electrolux Home Products, Inc.