

NOTICE

* Please make sure that you have all parts indicated and they are in good condition before you begin assembly of this item. Refer to part list and hardware list below for guidance.

* This item should be assembled on a soft surface to prevent scratching the finish during assembly.

* This item may require periodic tightening.

* If you having difficulty, our friendly Customer Care team is always here to help. Please email

customersupport@safavieh.com

PREPARATION

* Before beginning assembly of product, make sure all parts are present. Compare parts with part contents list and hardware contents list.

* If any part is missing or damaged, do not attempt to assemble the product.

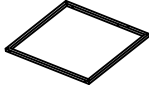
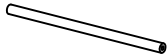
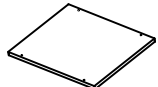
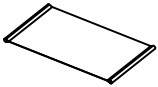

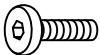


* Estimated Assembly Time: 20 minutes.

* Tools Required for Assembly (included): Allen Key

CARE AND MAINTENANCE

Always use felt pads under all articles to prevent discoloration or softening of the lacquer. Plastic and rubber bases on items can discolor wood. Wipe up spills immediately and avoid common hazards such as hot dishes, harsh solvents and abrasives. Cleaning should be done with a soft lint free cotton cloth dampened with water or furniture polish. On highly used surfaces we recommend applying a quality paste wax which should be used on a regular basis to provide additional protection from scratches and spills. How often you apply the wax depends on how much wear the furniture receives.

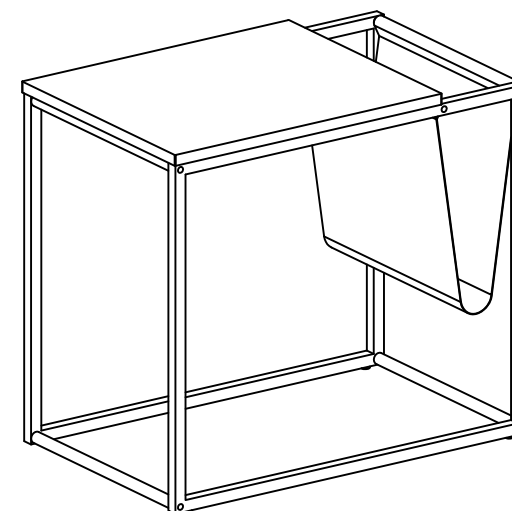
Part List and Hardware List

PIECE	DESCRIPTION	PICTURE	QUANTITY
A	Side Frame		2X
B	Cross Tube		5X
C	Table Top		1X
D	Leather		1X
HW1	Allen Key		1X
HW2	Hex Bolt 1/4" x 1.2mm x 32mm		10X
HW3	Screw ø3.5mm x 25mm		4X
HW4	Foot Nail		4X

 **SAFAVIEH**
FURNITURE

Model# ACC8007

Product Dimension: 22"W x 13.8"D x 19.7"H



 **WARNING** 

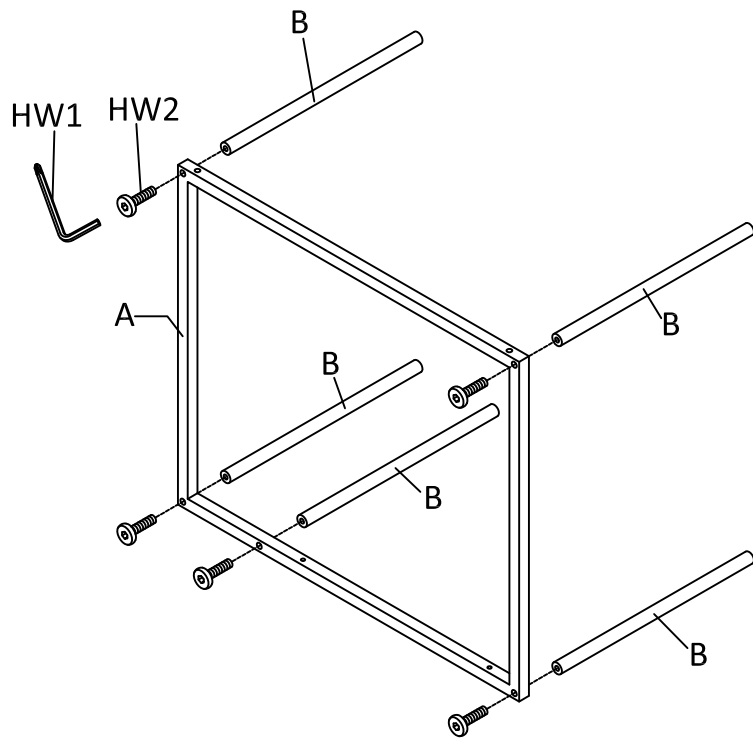
Weight Capacity - 22.05 LBS

Warning : Do not stand on Table.

Warning : Do not over torque bolts.

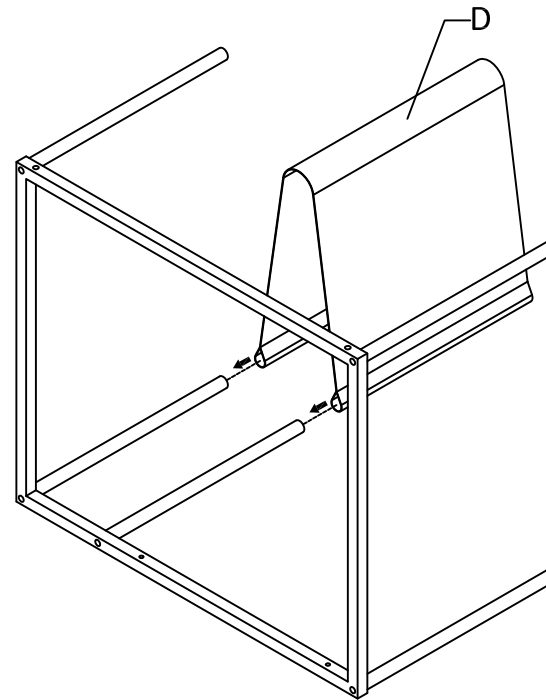
PREPARATION

- * Before beginning assembly of product, make sure all parts are present. Compare parts with part contents list and hardware contents list.
- * If any part is missing or damaged, do not attempt to assemble the product.
- * Estimated Assembly Time: 20 minutes.
- * Tools Required for Assembly (included): Allen Key
- * If you having difficulty, our friendly Customer Care team is always here to help. Please email customersupport@safavieh.com



STEP1:

Assemble a side frame (A) and cross tubes (B) with hex bolt (HW2) and by use of Allen key (HW1) as shown in drawing.

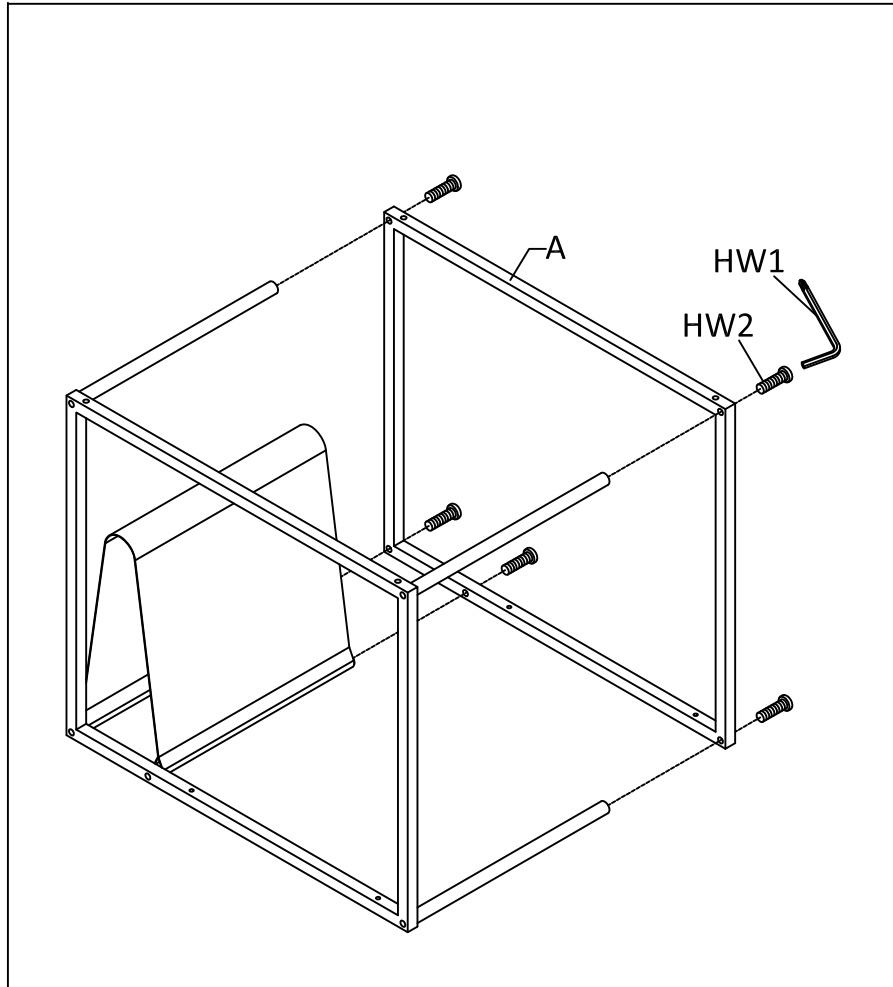


STEP2:

Insert the leather (D) into cross tubes (B) as shown in drawing.

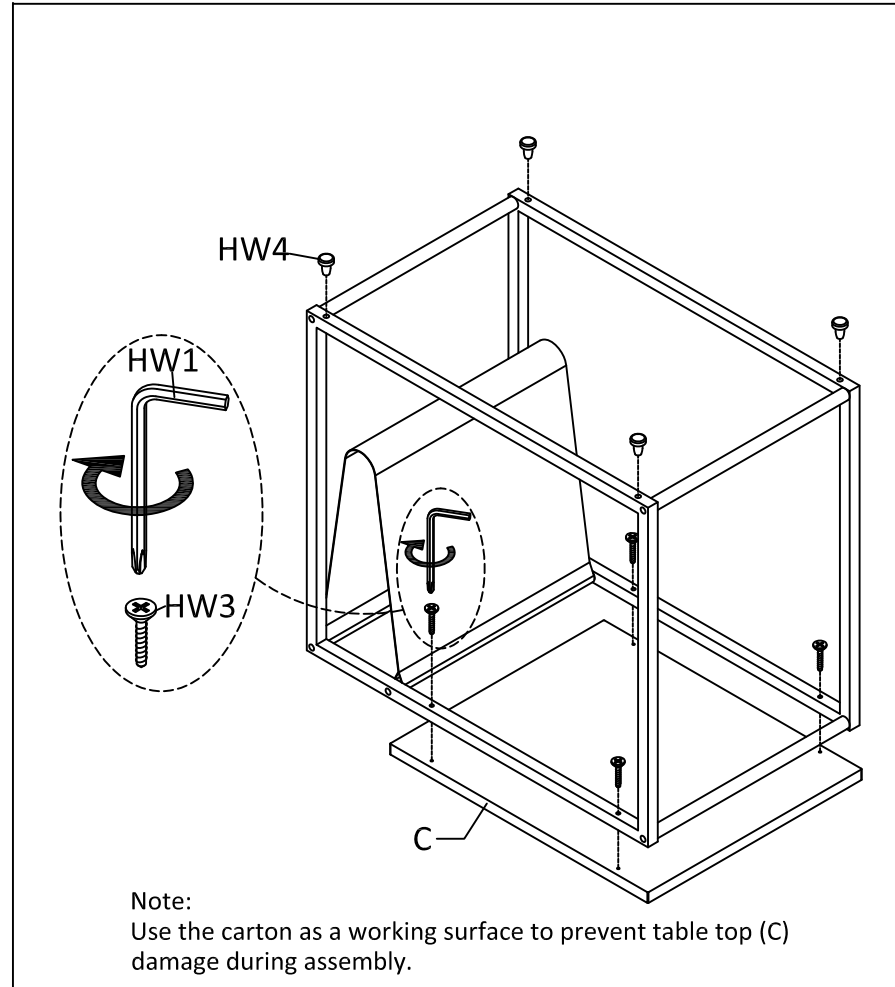
PREPARATION

- * Before beginning assembly of product, make sure all parts are present. Compare parts with part contents list and hardware contents list.
- * If any part is missing or damaged, do not attempt to assemble the product.
- * Estimated Assembly Time: 20 minutes.
- * Tools Required for Assembly (included): Allen Key
- * If you having difficulty, our friendly Customer Care team is always here to help. Please email customersupport@safavieh.com



STEP3:

Assemble another side frame (A) on the assembled parts with bolt (HW2) by use of Allen wrench (HW1) as shown in drawing.



STEP4:

Assemble table top (C) on the assembled parts with screws (HW3) by use of Allen wrench (HW1) as shown in drawing. Then insert the foot nail (HW4) into the holes on the side frames (A).