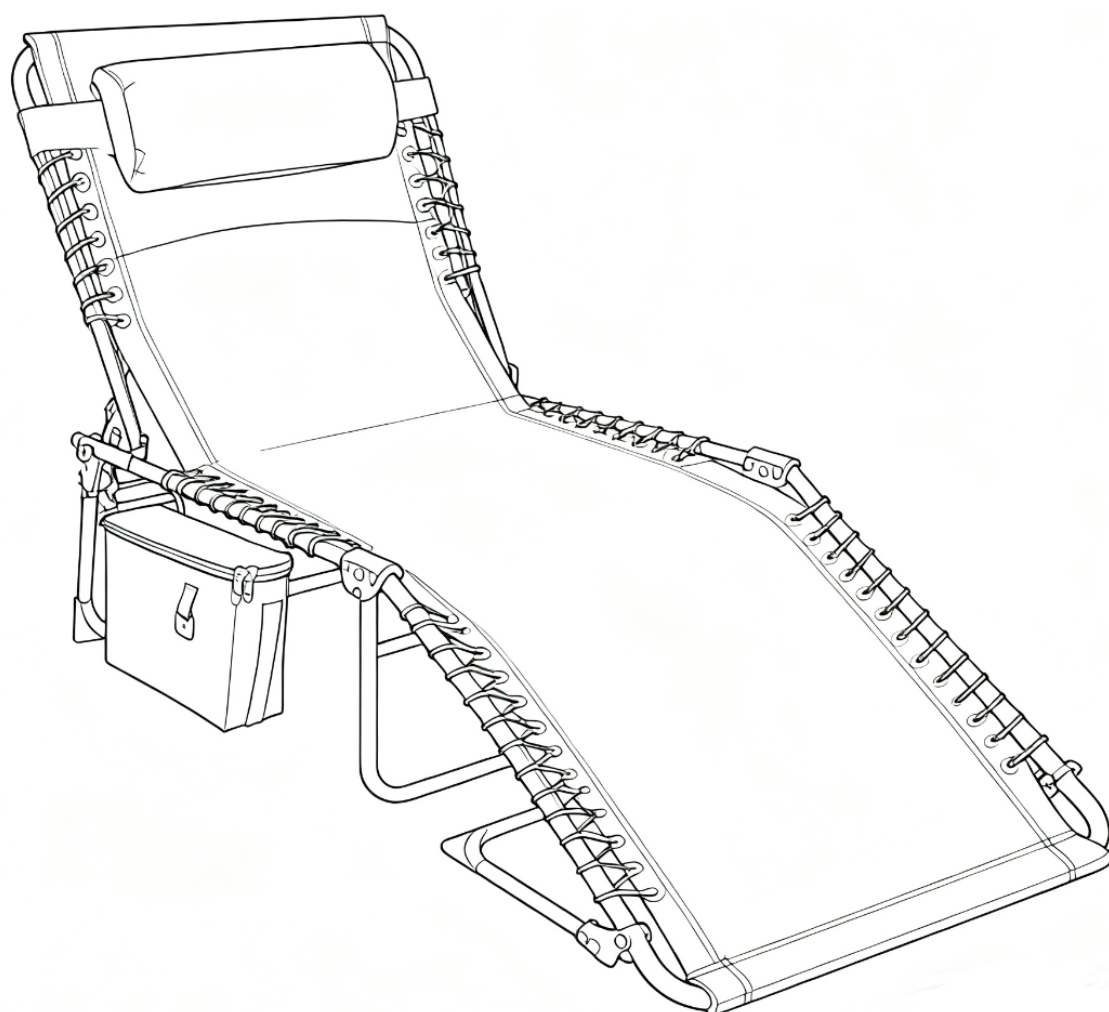


# Lounge Chair

Product ID. 7AAYT



Scan for Support  
[support@garvee.com](mailto:support@garvee.com)



Distributed by  
**GARVEE**.com

## **Read and Keep the Operating Instructions**

This operating manual belongs to this recliner (hereinafter referred to as the "Product"). It contains important information for handling.

### **Read the operating instructions carefully before using the product.**

Failure to observe these instructions may result in injury or damage to the product.

**Keep the operating instructions for future use.** If you pass the product on to others, be sure to include this operating manual.

## **Intended Use**

The product is intended exclusively for private use and is not suitable for commercial purposes.

Use the product only as described in this operating manual. Any other use is considered improper and may lead to property damage or even personal injury. The product is not a toy.

The manufacturer or seller shall not be liable for damages caused by improper or incorrect use.

## **Safety Instructions**

### **Risk of injury!**

The product's stability is only guaranteed during normal use.

If the product is misused (e.g., as a step), there is a significant risk of injury.

If any damage occurs or is visible, **do not** continue using the product and contact customer service.

### **Risk of pinching!**

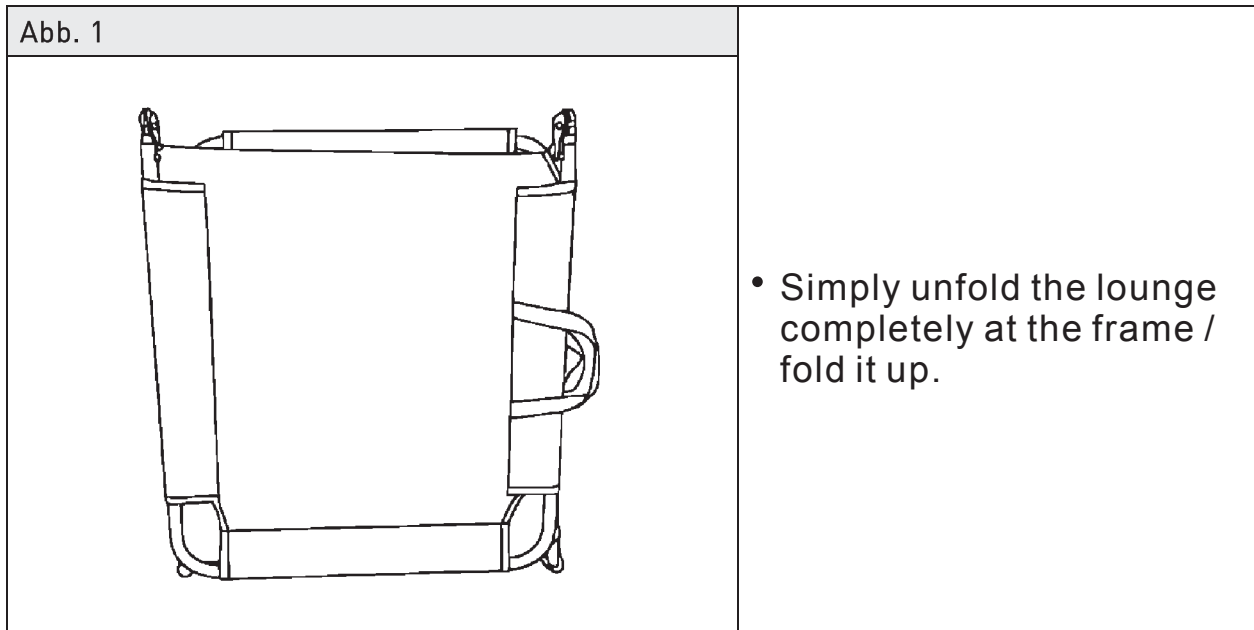
There is a risk of pinching when operating moving parts. Watch your hands.

## Operation:

**The lounge is foldable (refer to Fig. 1).**

**The backrest is adjustable in stages.**

Press the flat backrest slowly forward until it clicks to achieve the desired angle. If you fully fold the backrest forward, the mechanism will be unlocked, and you can then unfold the backrest flat again.



## Care Instructions

### For Steel, Stainless Steel & Iron

Always use appropriate cleaning cloths or the soft side of a kitchen sponge when cleaning and maintaining stainless steel.

Most stains can be easily softened and rinsed off with a garden hose, or removed using water and pH - neutral soap.

Larger stains can be removed with a damp cloth or a soft brush, along with pH - neutral soap.

Do not use hard brushes or abrasive cleaners for cleaning, as they can scratch the material!

### For Fabric

Dry and loose stains can often be removed with a vacuum cleaner or a soft brush. Carefully absorb spilled liquids with a clean, dry cloth.

For oily liquids, apply an absorbent powder to the stain and then scrape it off. Spray a mild cleaning solution made of water and soap, and then rinse the fabric thoroughly.

Allow the fabric to dry in the air.

Do not use a high - pressure cleaner or hard brushes/abrasive cleaners for cleaning, as they can damage the material!