

LG LAUNDRY

DLEC885W

4.2 cu. ft. Specialty Dryer

4.2 cu. ft. Capacity
14 Dryer Programs
Touch LED
Dial-A-Cycle™
SmartDiagnosis™
Available in White (W)

SUMMARY

Capacity	4.2cu.ft
Matching Washer	WM1385HW
Drying Type	Ventless Condensing
Sensor Dry	Yes
Available Colors	White (W)

APPEARANCE

Dial-A-Cycle™	Yes
Display Panel	Touch LED

DRYER PROGRAMS

No. of Programs	14
	Cotton, Mixed Fabric, Easy Care, Bulky Item, Jeans, Soft Care, Quick Dry, Sports Wear, Delicate, Wool, Download Cycle, Cool Air (Manual Dry), Gentle Air (Manual Dry), Warm Air (Manual Dry)

DRYER OPTIONS

No. of Options	10
	Gentle, Damp Dry Beep, More Time, Less Time, Time Delay, Custom Program, Wrinkle Care, Drum Light, Child Lock, Time Dry

LEVEL ADJUSTMENTS

Drying Levels	5 (very-more-normal-less-damp)
Dry Time	60 / 20min (More-Less)
Signal volume level	High/Low/Off

CONVENIENCE FEATURES

End of Cycle Beeper	Yes
Drum Light	Yes
Leveling Legs	Yes
Remaining Time Display/Status Indicator(s)	Yes

SMARTTHINQ® TECHNOLOGY

NFC Tag On	Yes
SmartDiagnosis™	Yes

MATERIALS AND FINISHES

Stainless Steel Drum	Yes
Cabinet	PCM
Control Panel	Plastic
Door / Rim	Glass / Chrome
Door Cover	Black Tint Cover

POWER SOURCE

Electrical Requirements/Type	208V/240V, 20 Amps/Electric (product lating label 13A)
------------------------------	--

OPTIONS/ACCESSORIES

Stacking Kit	Included
--------------	----------

DIMENSIONS

Product (WxHxD)	24" x 33 1/2" x 25 1/4" (45" D with Door Open)
Carton (WxHxD)	26" x 35 3/4" x 27 3/4"
Weight (Product)	105
Weight (Carton)	115

WARRANTY

Parts & Labor	1 Year
Motor	1 Year
Drum	1 Year

UPC CODES

DLEC885W (White)	048231026031
WM1385HW (White)	048231026024

LG COOKING

DLEC885W

4.2 cu. ft. Specialty Dryer

QUICK INSTALL & CLEARANCES

For full installation directions/clearances please refer to the corresponding User Manual and Installation Guide.

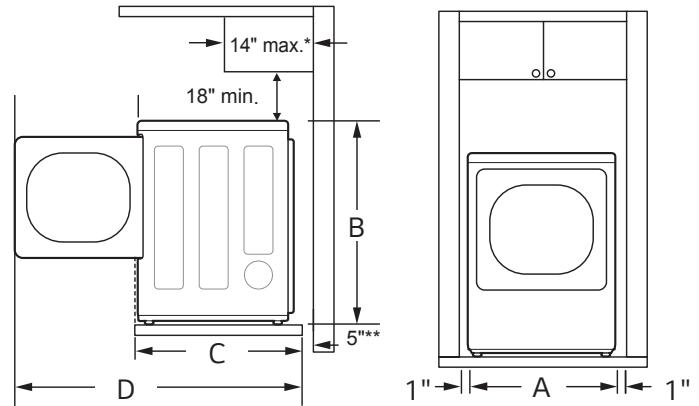
DIMENSIONS

A Width	24"
B Height	33 1/2"
C Depth	25 1/4"
D Depth with Door Open	45"
Carton (WxHxD)	26" x 35 3/4" x 27 3/4"

POWER SOURCE

Electrical Requirements/Type	208V/240V, 20 Amps/Electric (product rating label 13A)
------------------------------	--

DIMENSIONS AND CLEARANCES

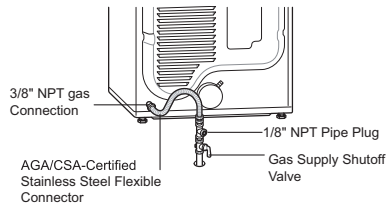


* Required spacing

** For side or bottom venting, 2-inch (5.1 cm) of spacing is allowed.

CONNECTING THE GAS SUPPLY

- Installation and service must be performed by a qualified installer, service agency, or the gas supplier.
- Use only a new stainless steel flexible connector and a new AGA-certified connector.
- A gas shutoff valve must be installed within 6 ft. (1.8 m) of the dryer.
- The dryer is configured for natural gas when shipped from the factory. Make sure that the dryer is equipped with the correct burner nozzle for the type of gas being used (natural gas or propane gas).
- If necessary, the correct nozzle (for the LP nozzle kit, order part number 383EEL3002D) should be installed by a qualified technician and the change should be noted on the dryer.
- All connections must be in accordance with local codes and regulations. Gas dryers **MUST** exhaust to the outdoors.



CONNECTING ELECTRIC DRYERS

- A **4-wire connection** is required for all mobile and manufactured home installations, as well as all new construction **after January 1, 1996**.
- A **3-wire connection is NOT permitted** on new construction **after January 1, 1996**.
- A UL-listed strain relief is required.
- Use a 30-amp, 240-volt, 4-wire, UL-listed power cord with #10 AWG-minimum copper conductor and closed loop or forked terminals with upturned ends.

