

Iron/Tones® | K-6625

Smart Divide® 33" top-/undermount double-bowl kitchen sink

Features

- 33" (838 mm) minimum base cabinet width for top-mount installation
- 36" (914 mm) minimum base cabinet width for undermount installation
- Large/medium bowls
- 9" (229 mm) depth provides generous workspace
- Smart Divide® feature offers a lower bowl divider that increases workspace versatility
- Versatile design allows large bowl to be installed on the right or left



Sustainability



Available Colors/Finishes

Color tiles intended for reference only.

- | | |
|-----|-------------|
| 0 | White |
| FF | Sea Salt |
| 96 | Biscuit |
| NY | Dune |
| 95 | Ice Grey |
| 7 | Black Black |
| TRF | Truffle |
| 17 | Teal |
| 34 | Fresh Green |
| 42 | Aspen Green |



1-800-4KOHLER (1-800-456-4537)

Kohler Co. reserves the right to make revisions without notice to product specifications.
For the most current specification sheet, go to www.kohler.com USA or www.kohler.ca Canada.
4-1-2026 19:1 - US-CA

Codes/Standards

ASME A112.19.1/CSA B45.2

Technical Information

All product dimensions are nominal.

Drain Hole Diameter:	3-7/8" (98 mm)
Minimum Base Cabinet Width:	36" (914 mm)
Basin Configuration:	Large Bowl on Left
Left Basin Length:	19-1/4" (489 mm)
Left Basin Width:	16" (406 mm)
Left Basin Depth:	9" (229 mm)
Right Basin Length:	20-1/16" (510 mm)
Right Basin Width:	19-7/16" (494 mm)
Right Basin Depth:	9" (229 mm)

Material

- KOHLER® enameled cast iron
-

Recommended Products/Accessories

1411886 Undermount Kit 23"

K-5137 Stainless steel large sink rack, 18-1/4" x 14-3/8"

K-5139 Stainless steel small sink rack, 8-1/4" x 14-3/8"

K-23726 Drain treatment

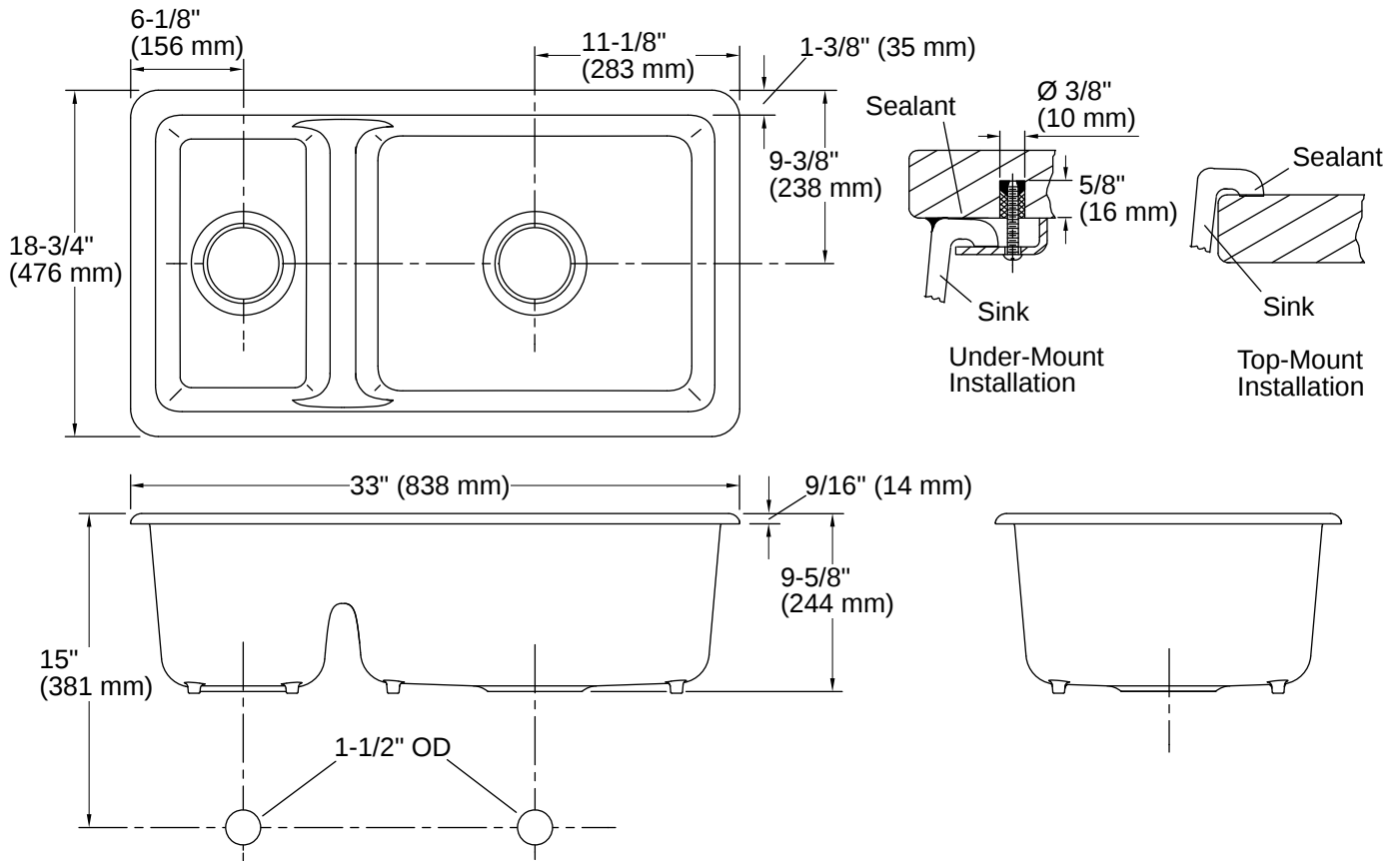
K-23725 Cast iron cleaner

Warranty

See website for detailed warranty information.

KOHLER® Enameled Cast Iron Kitchen and Bathroom Sink Lifetime
Limited Warranty





Installation

- Top-mount or undermount

Installation Notes

Install this product according to the installation instructions.

NOTICE: The countertop manufacturer or cutter must use the cut-out template provided with the product, or a current one provided by the Kohler Co. (Call 1-800-4-KOHLER.) Kohler Co. is not responsible for cut-out errors when the incorrect cut-out template is used.

